

HCB®

乐清昌德成电子有限公司
YUEQING CHANGDECHENG ELECTRONICS CO.,LTD



HCB®

凭质量起飞 靠科技腾达

Developing depend on quality,
advance depend on science.



乐清昌德成电子有限公司，坐落于乐清市乐清湾港区乐商创业园。是一家专业设计、开发和生产汽车和家电类接插件、护套等电子元器件的高新企业，系国内外众多知名电器及汽车制造厂家的信誉配套商。

本公司已顺利通过 UL、CQC 等各类产品及 TS16949、ISO14001 等质量及环境质量管理体系认证。公司拥有独立的研发中心和一整套完善的模具设计与制作，管理流程，有专业的设计开发队伍，并从国内外新引进了各类先进的模具开发和加工设备。公司现有一大批各类型高低速精密冲床、全自动注塑机和自动插针机等先进生产设备和多条先进生产流水线。公司把质量作为企业赖以生存和发展的保障，将品质控制管理延伸至每一个生产环节，在过程控制中引进了 CCD 系列产品检测设备，公司设立专业的品质检验、检测队伍，建立了专业的实验室。真正做到了模具精密化、工艺精细化、产品精致化，在国内同行业中保持领先地位。面对经济全球化的挑战，公司始终坚持“凭质量起飞，靠科技腾达”的经营方针，依托现代化的电子信息管理系统，捕捉最新市场动态，缩短和客户的距离，以快捷、优质的服务满足客户的需要。

创新、实干、合作是公司的服务宗旨，我们愿与新老客户竭诚合作，携手并进，共创辉煌！

Yueqing Changdecheng Electronics Co., Ltd., which was established in 1988 is one of the Chinese leading connector specialists. Based in the South of Zhejiang province, the company manufactures and provides a number of terminals, plastic housings and wafers to a wide range of customers in the Automotive and Home Appliance Industry; both in China and Internationally.

Changdecheng Electronics is renowned for its high quality products, services and manufacturing. As an experienced supplier, the company has cooperated with LEONI, Haier, Media and Whirlpool for more than 10 years . With a 15000 square meters and IATF 16949 and ISO 14001 certified manufacturing facility, state of the art connector producing equipment, and a dedicated team of professionals, we're uniquely positioned to offer a variety of sourcing options to meet individual customers' needs. We're here to solve your problems, and we welcome the challenge.

Based on the knowledge and experience in multiple sectors, primarily mold development of electronic connectors , we also provide bespoke solutions, tailored to the customer's individual needs and application.





创新理念，追求卓越品质

Innovative ideas, Pursuit of excellent quality

HCB®

拥有多条装配流水线和高素质的操作员工队伍。为了更好的提高生产效率和控制产品品质，公司引进了先进的 CCD 系列检测设备、高速精密冲床、全自动注塑机、超声波全自动清洗流水线、自动插针机、端子自动连绕机、自动包装机和自动订盘机等，自动化程度高。





团队的精神，发挥整体力量

Team spirit, Use the power of the whole



We have multiple assembly lines and a high-quality operating employee team. In order to better improve production efficiency and control product quality, the company has introduced advanced CCD series detection equipment, high-speed precision punching machine, fully automatic injection molding machine, ultrasonic fully automatic cleaning assembly lines, automatic needle insertion machines, automatic terminal winding machines, automatic packaging machines and automatic binding machines, etc., with a high degree of automation.





精良设备，高效生产

Advanced Equipments efficiently manufacturing

HCB®

公司现有各类型产品模具3000多副。通过技改项目，花巨资引进了日本 SODICK 慢走丝、加工中心（CNC）、电脉冲、高精度工艺磨和 2.5 次元投影仪等现代化的模具开发、加工和检验检测设备，年模具开发能力在 300 副以上。模具开发制造水平居国内同行前列。公司从产品开发、模具设计、零件加工、模具装配到新模试产全线通过计算机信息管理系统控制，实现模具开发的流程化操作。





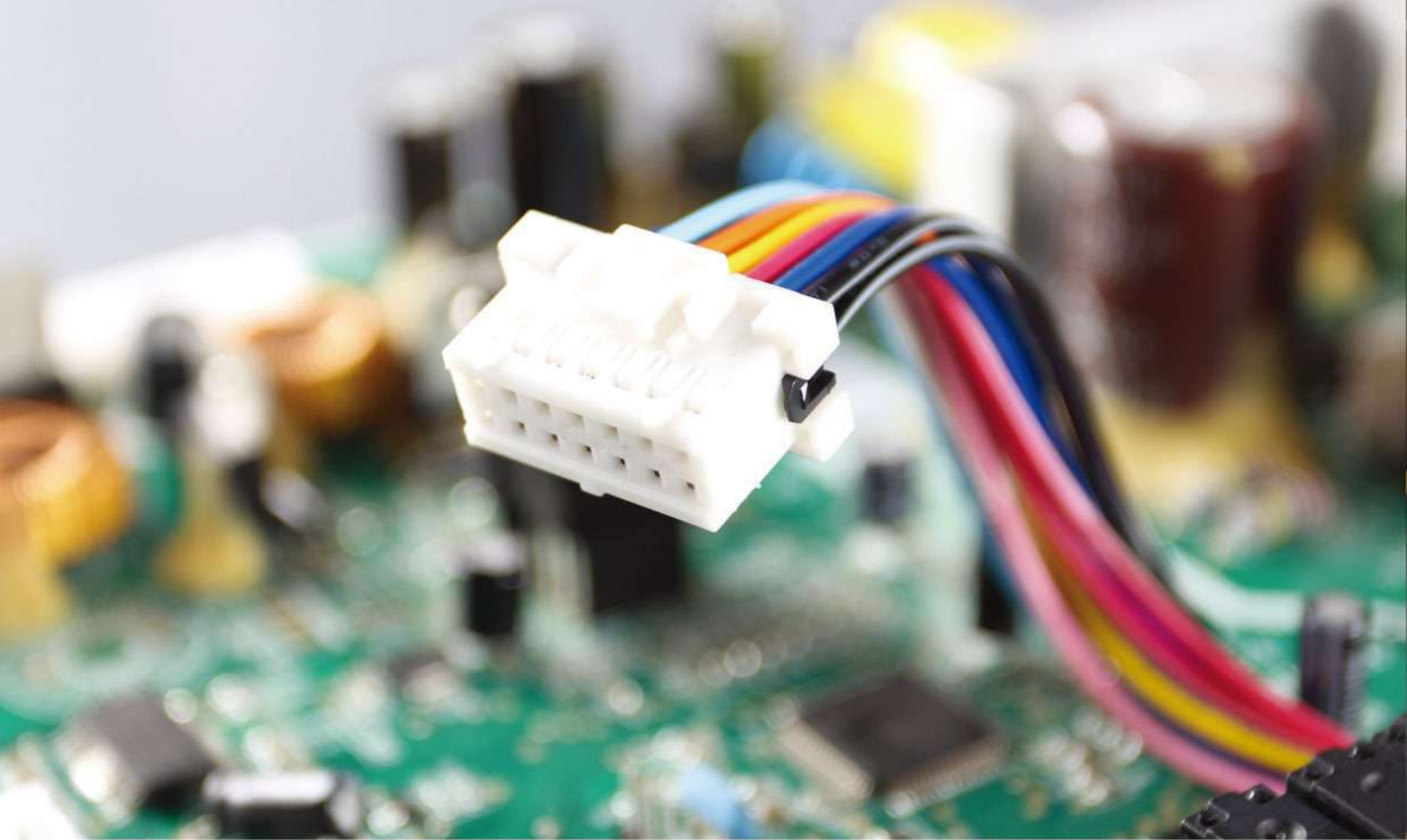
技术研发，持续创新

Technology research and development, continuous innovation



As the company has been developing for over 30 years, 3000 sets of moulds are produced by the strong ability of mould designing and processing.





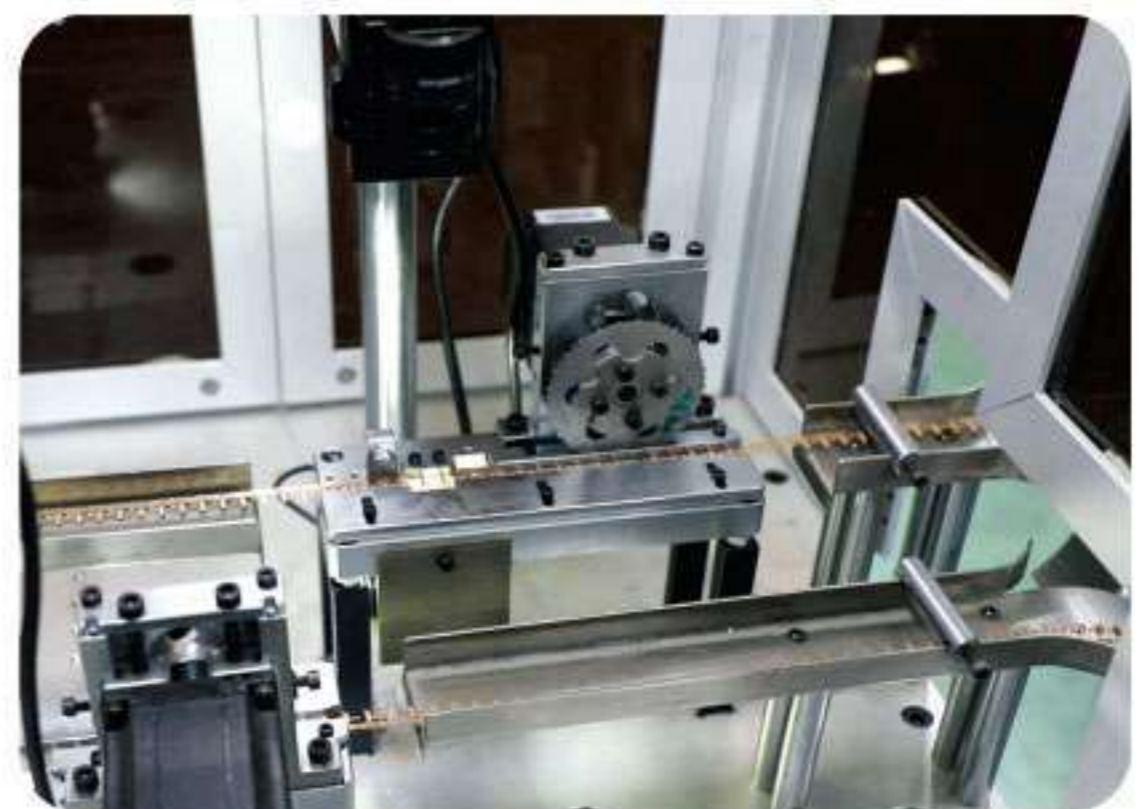
检测可靠，品质保障

Quality assurance by testing machine

HCB®

为确保产品的完美品质，公司在每台生产设备上分别安装了 CCD 端子检测仪、CCD 模具保护器、CCD 自动压针检测仪等先进检测设备，成立了专业、高素质的品质检验检测队伍，并建立了专业的实验室，有各类产品、材料检验检测设备。公司出厂产品能完全符合国家 GB/T17196:2009 标准及欧盟 ROHS、REACH 和满足客户的相关要求。

In order to ensure product quality, our QC team inspects all products on the production line according to the requirements of IATF16949. CCD cameras and other testing machines are also installed on the stamping line. For meeting the testing requirements of our customers, we have established a professional laboratory equipped with testing equipment for various products and materials. In addition, our products fully comply with RoHS and REACH requirements.





权威认证 可靠品质
Authoritative Certifications



UL 认证



REACH 认证



IATF16949 认证



CQC 认证

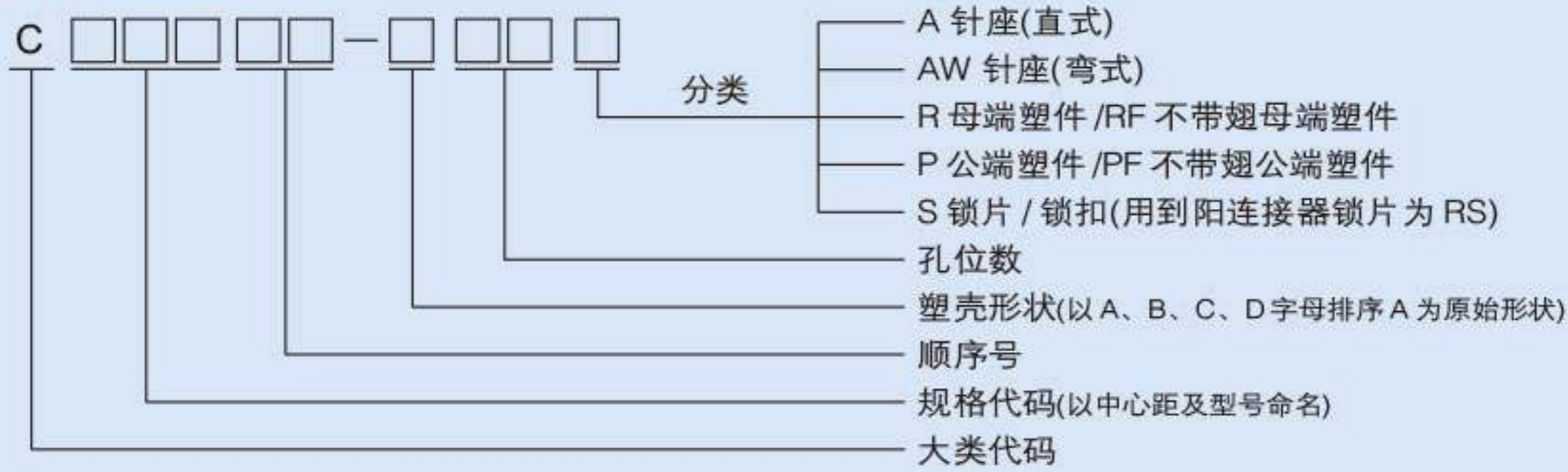


RoHS 认证

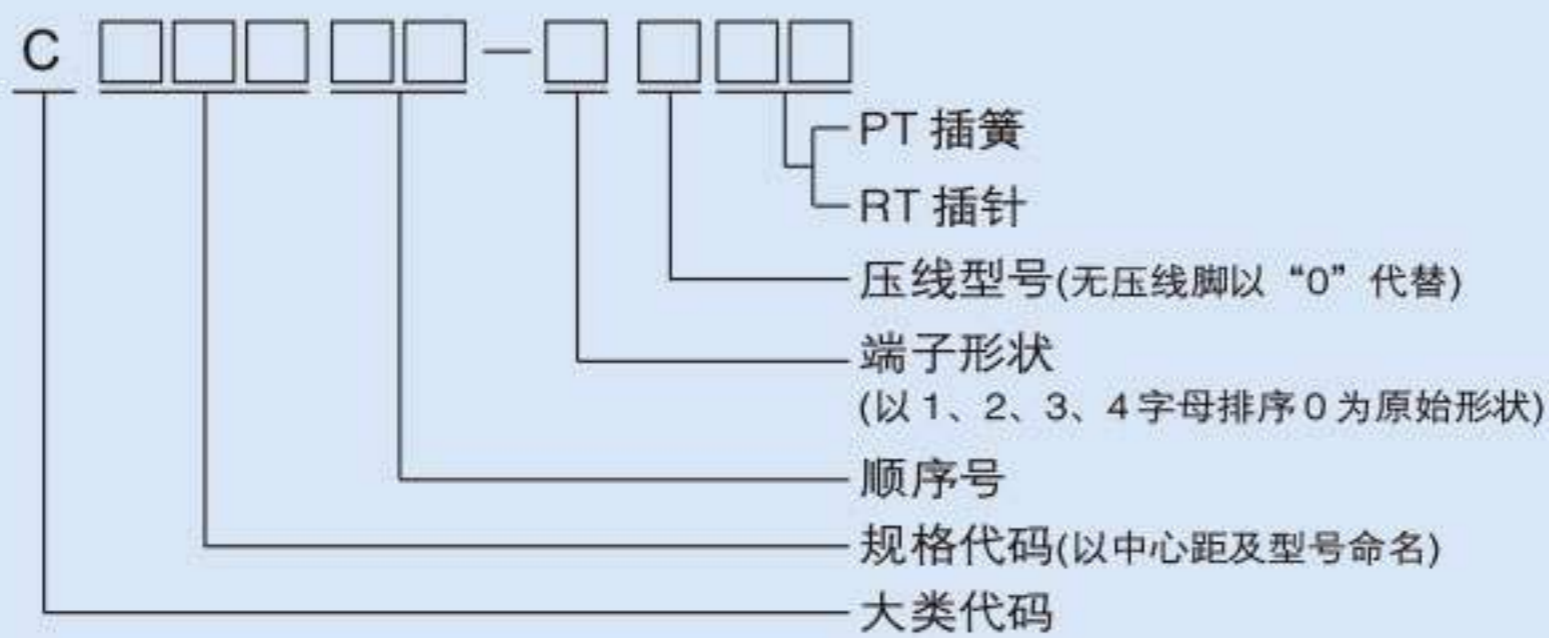


ISO14001 认证

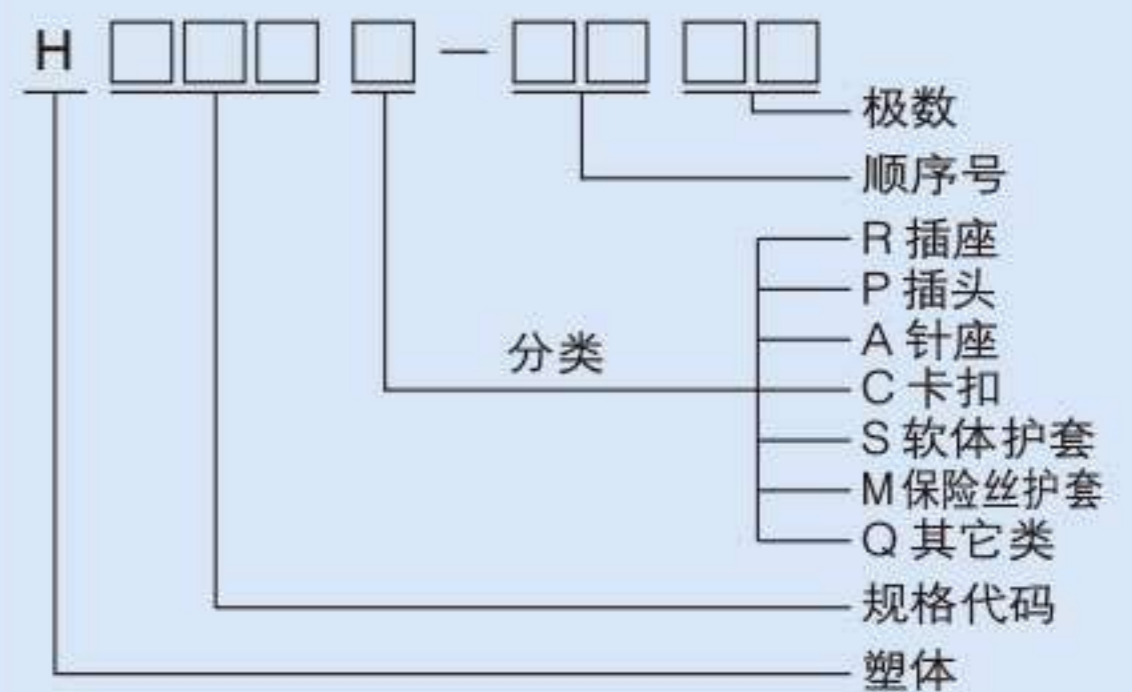
条形连接器和针座



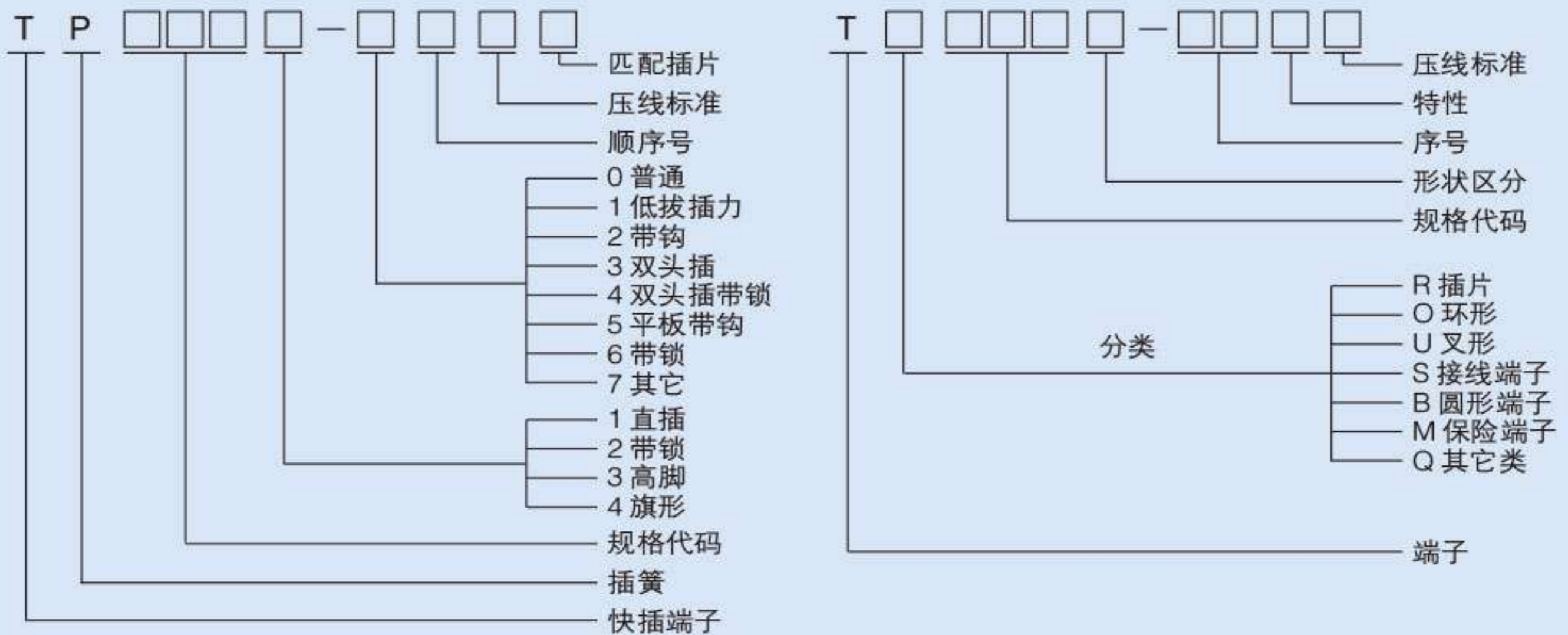
条形连接器端子



塑胶护套

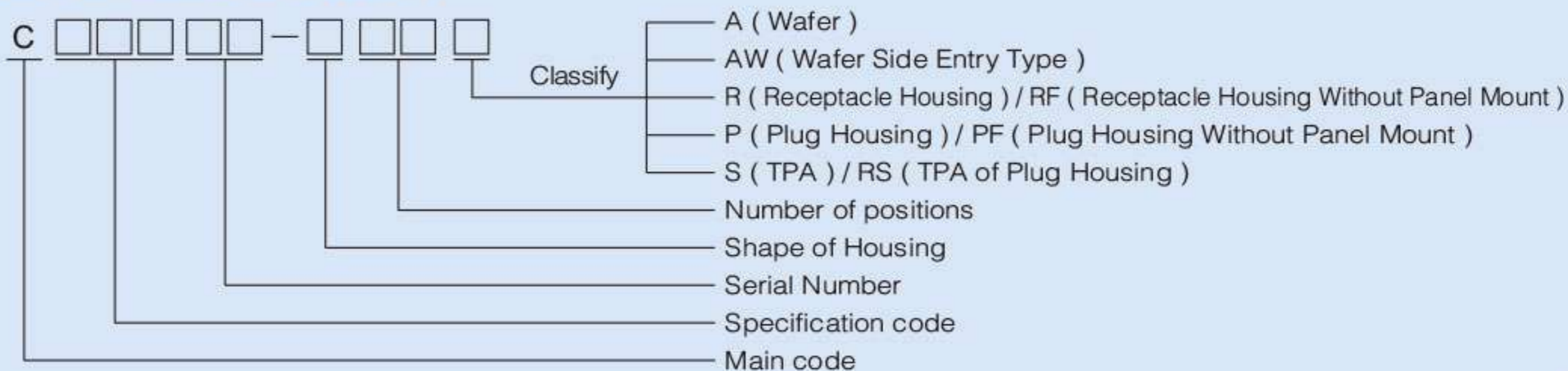


端子

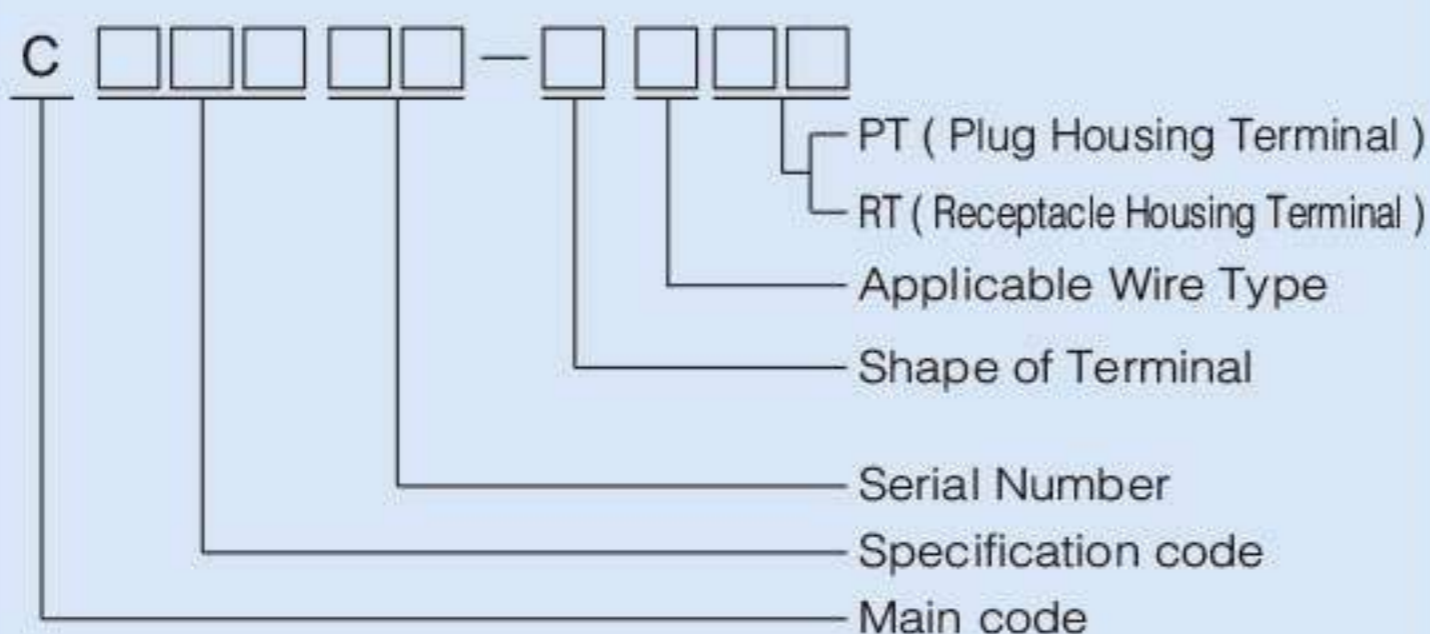


AWG	代码	截面积	对应名称
26#-22#	1	0.16mm-0.3mm	T 型特小脚
20#18#	2	0.5mm-0.83mm	A 型单线
16#	3	1.0mm-1.5mm	B 型中线
14#	4	2.0mm-2.5mm	C 型双线
12#	5	3.3mm-4.0mm	D 型大线
10#	6	5.0mm~	E 型特大线

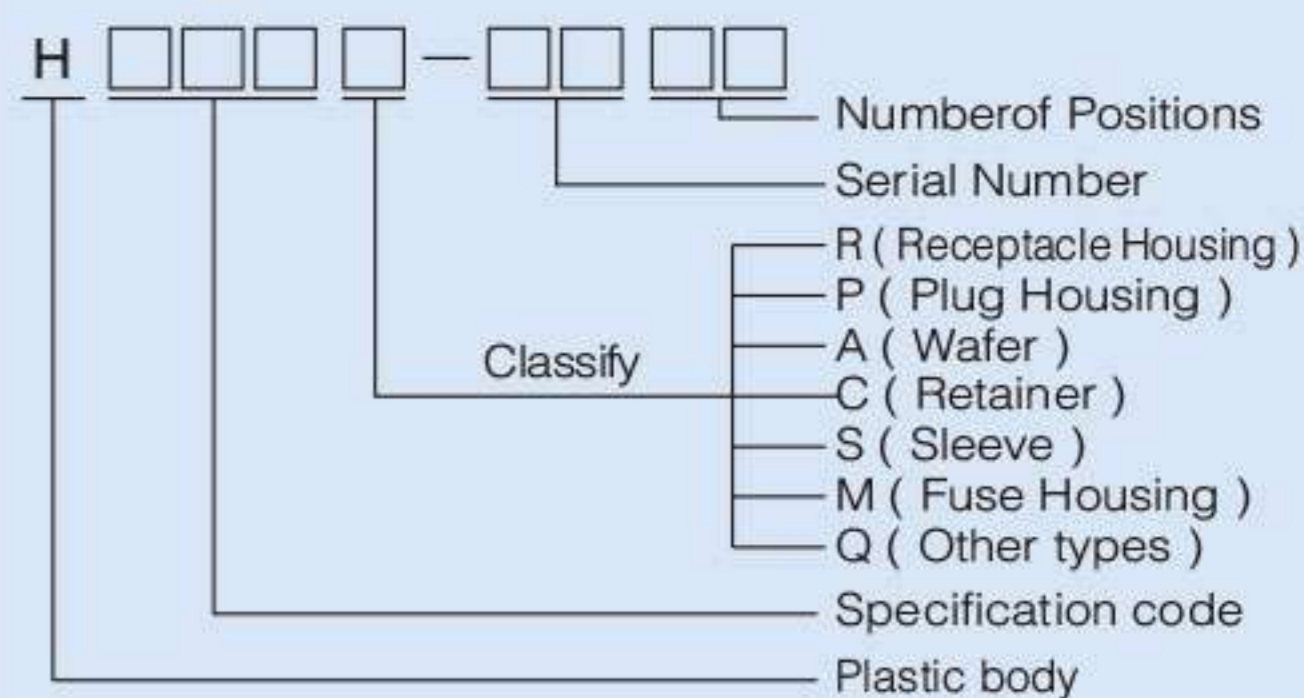
Bar Connectors and Wafers



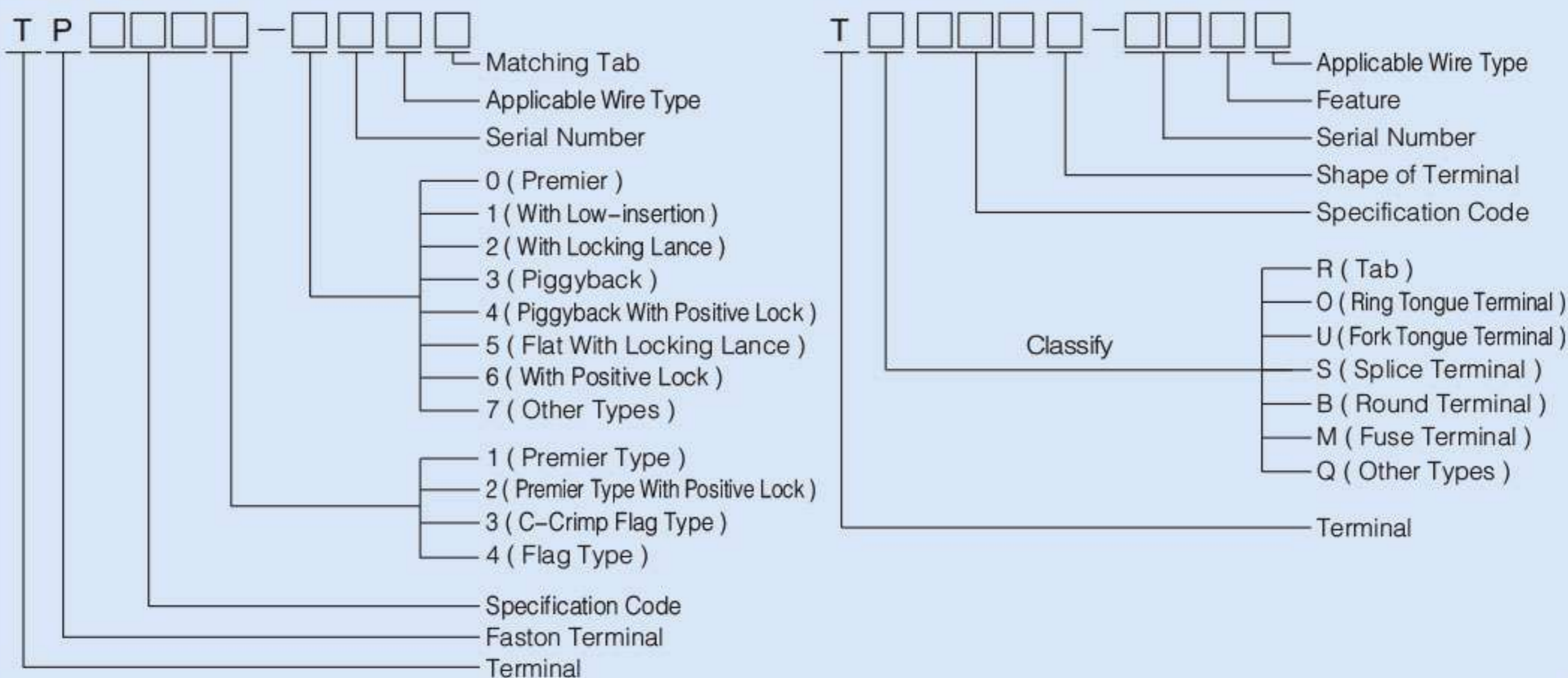
Terminals of Bar Connectors



Housings



Terminals

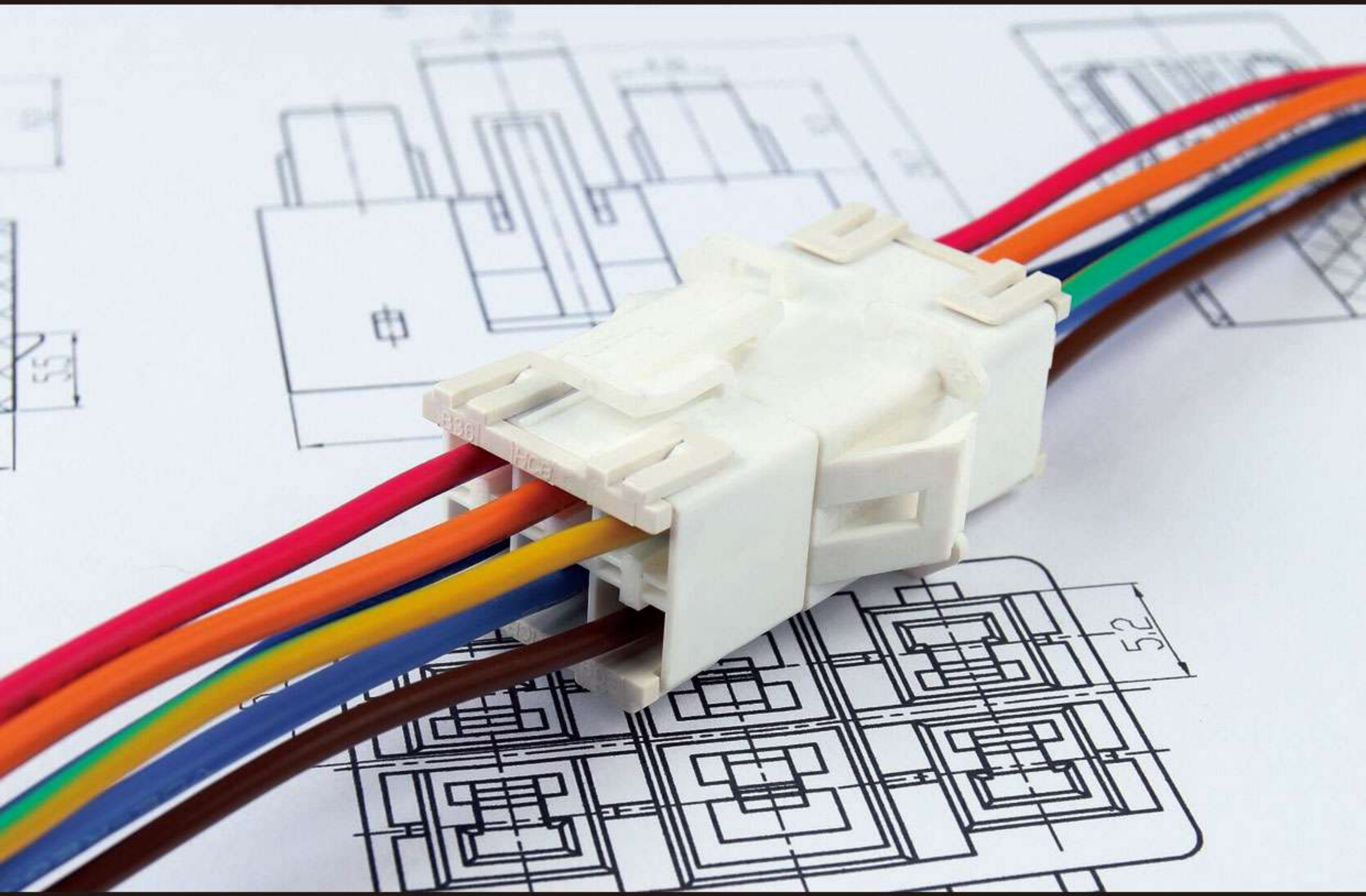


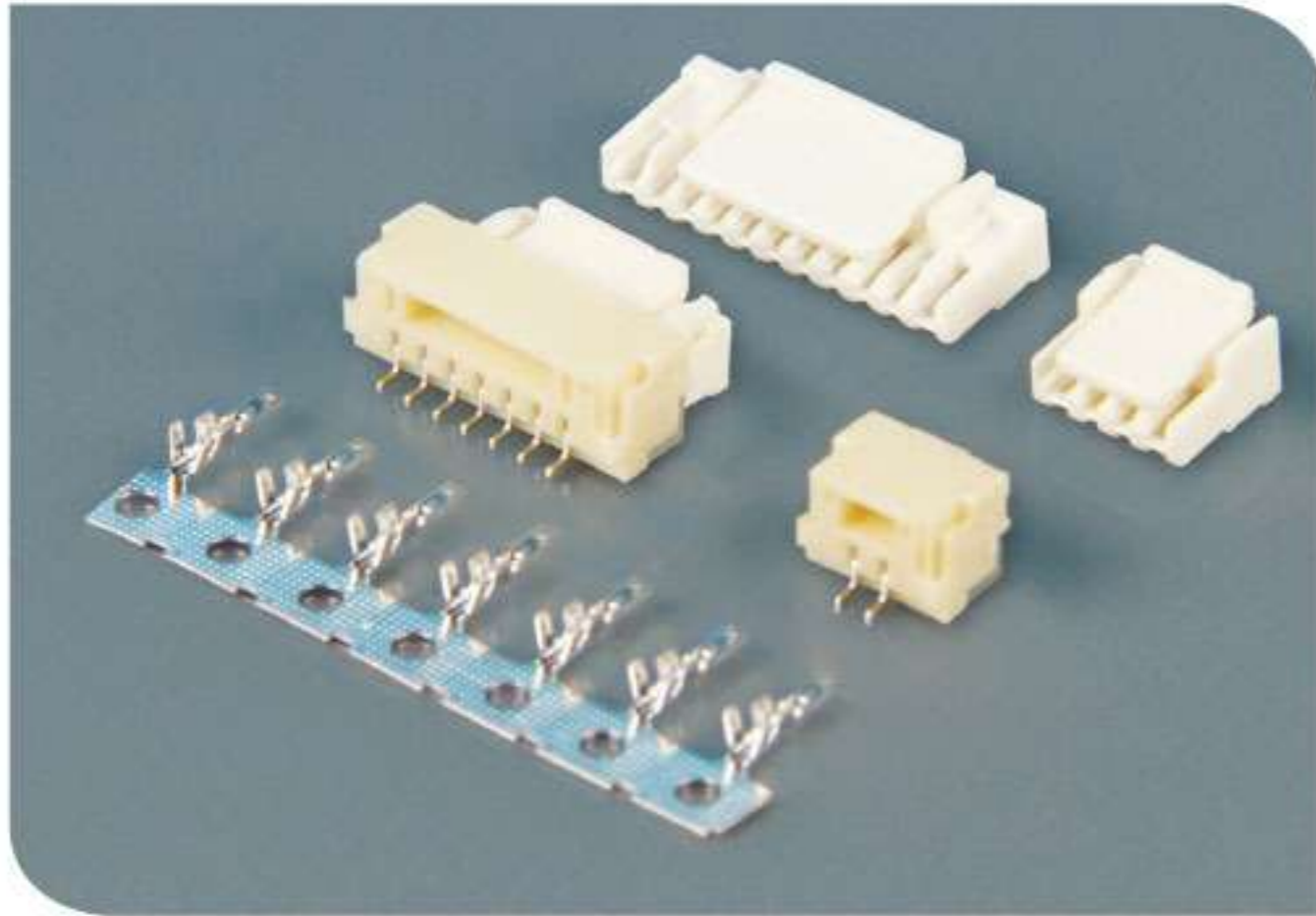
AWG	Code	Section area
26#-22#	1	0.16mm-0.3mm
20#18#	2	0.5mm-0.83mm
16#	3	1.0mm-1.5mm
14#	4	2.0mm-2.5mm
12#	5	3.3mm-4.0mm
10#	6	5.0mm~

名称 Name	间距 Pitch(mm)	页码 Page
◆ 条形连接器系列		
GH	1.25	1
51021	1.25	2
ZND	1.5	3-4
ZH	1.5	5
C15003	1.5	6
179	2.0	7
PA	2.0	8-10
PNI	2.0	11-12
PND	2.0	13
PH	2.0	14-15
502352	2.0	16-17
C20007	2.0	18
C20009	2.0	19
C20011	2.0	20
13764	2.5	21-22
917&316	2.5	23-24
35155&35184	2.5	25-26
526	2.5	27-28
EH	2.5	29
JC25	2.5	30
SM	2.5	31-32
XAD	2.5	33-35
XA	2.5	36-38
XH	2.5	39
XHS	2.5	40-42
196	2.5	43-44
C25013	2.5	45
XMA	2.5	46-48
5116	2.5	49-50
35022	2.5	51
SMH	2.5	52-53
K47	2.5	54
C25020	2.5	55
C25021	2.5	56-57
430	3.0	58
150	3.0	59
172	3.0	60
430	3.0	61
98816	3.3	62
N7840	3.5	63
2601	3.68	64
35156	3.96	65
177/316	3.96	66-67
177/316 双排	3.96	68-69
HL	3.96	70-71

名称 Name	间距 Pitch(mm)	页码 Page
◆ 条形连接器系列		
SL	3.96	72-73
VH	3.96	74-75
VHS	3.96	76-77
1744	3.96	78
VHD	3.96	79-80
TJC6	3.96	81
SDN	3.96	82
2.8 车用	4.0	83-84
C40002	4.0	85
滴滴插针	4.0	86
5557/5559	4.2	87-92
RV42	4.2	93-96
SV40	4.2	97
EL	4.5	98-99
YL	4.5	100-102
1376	5.0	103-104
5016	5.0	105
C50003	5.0	106-111
NVR	5.0	112
12290	5.0	113
C50009	5.0	114
MG	6.0	115-117
VL	6.2	118-119
L6.2	6.2	120
420	6.35	121-123
1799	6.5	124
35		125-130
C75001	7.5	131
MG632202R	15.24	132
洗衣机系列		133-135
SCS	5.8	136-137
保险丝管		138
◆ 快插端子及塑体系列		
2.8(110)		139-141
4.8(187)		142-146
6.3(250)		147-155
尖插圆插系列		156
◆ 插片系列		
◆ 压线扣系列		
◆ 接地端子系列		

HCB[®]



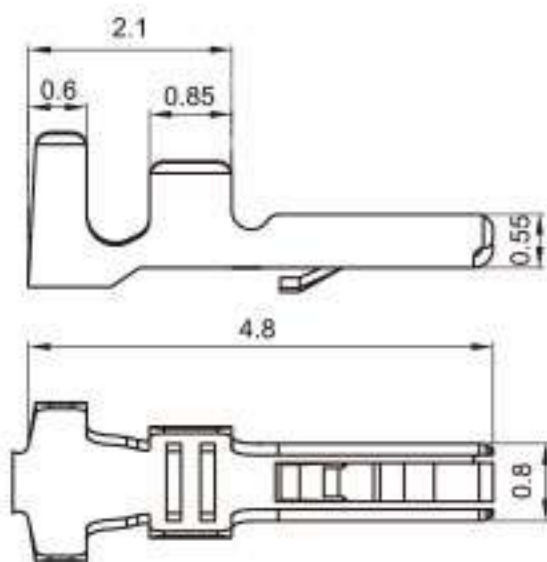


■ 技术参数 SPECIFICATIONS

- 线数 Number of positions: 2~11
- 适用线规 Applicable wires: 30~26AWG
- 温度范围 Temperature range: -40°C~105°C
(including temperature rise in applying electrical current)
- 额定电压 Voltage rating: 50V AC, DC Max.
- 额定电流 Current rating: 1A AC, DC Max.
- 接触电阻 Contact resistance: ≤ 30mΩ
- 绝缘电阻 Insulation resistance: ≥ 100MΩ
- 耐压 Withstanding voltage: 500V AC/minute

*Compliant with RoHS.

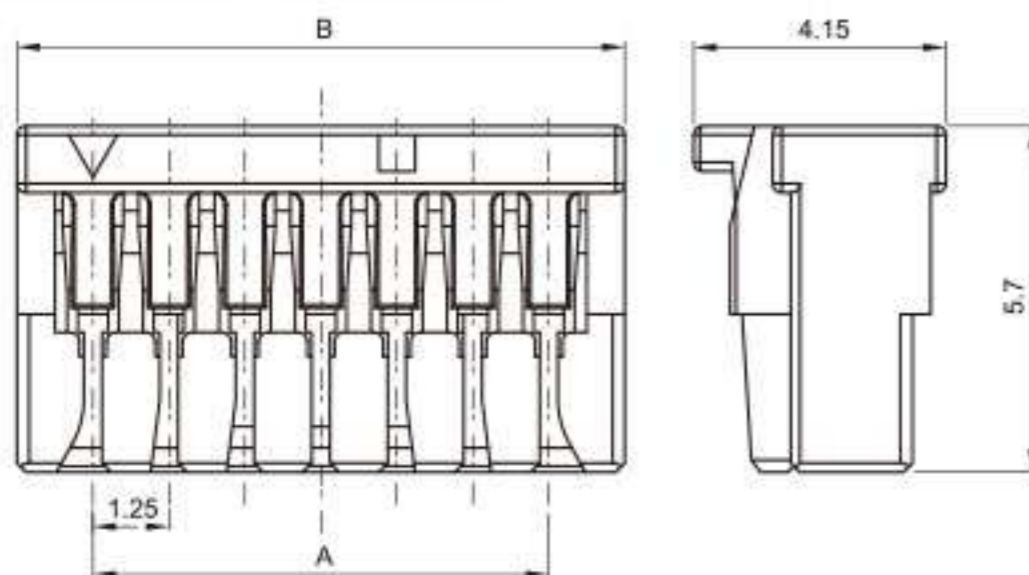
C12501-01PT(SSHL-002T-P0.2)



端子 TERMINAL

型号 Part No.	材质 Material	料厚 Thickness	线规 Applicable wires		电线外径 Wire insulation O.D. mm	镀层 Plating	包装数量 Q'ty/reel
			AWG#	线径 mm ²			
C12501-01PT	Phosphor bronze	0.12	30-26	0.06-0.13	0.7-1.3	Tin Plated	20K

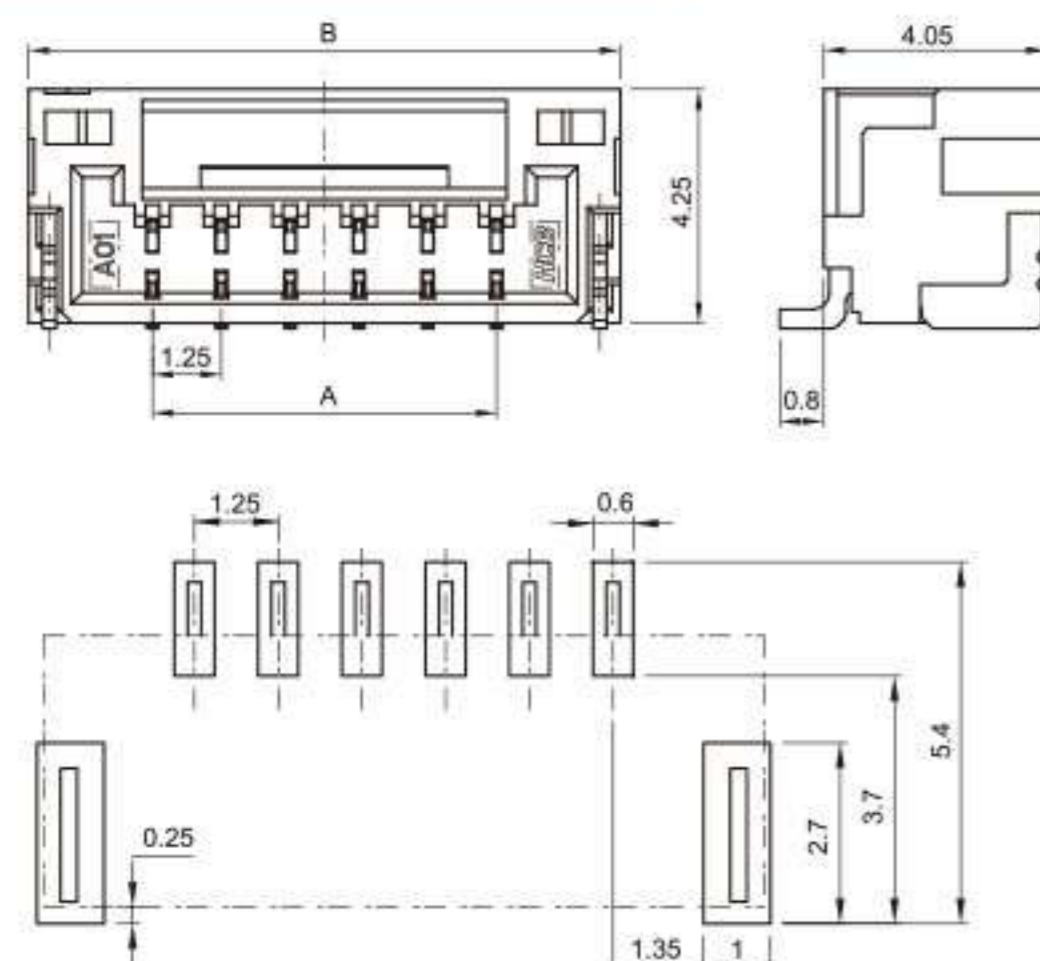
C12501-ANP(GHR-NV-S)



公端塑件 PLUG HOUSING

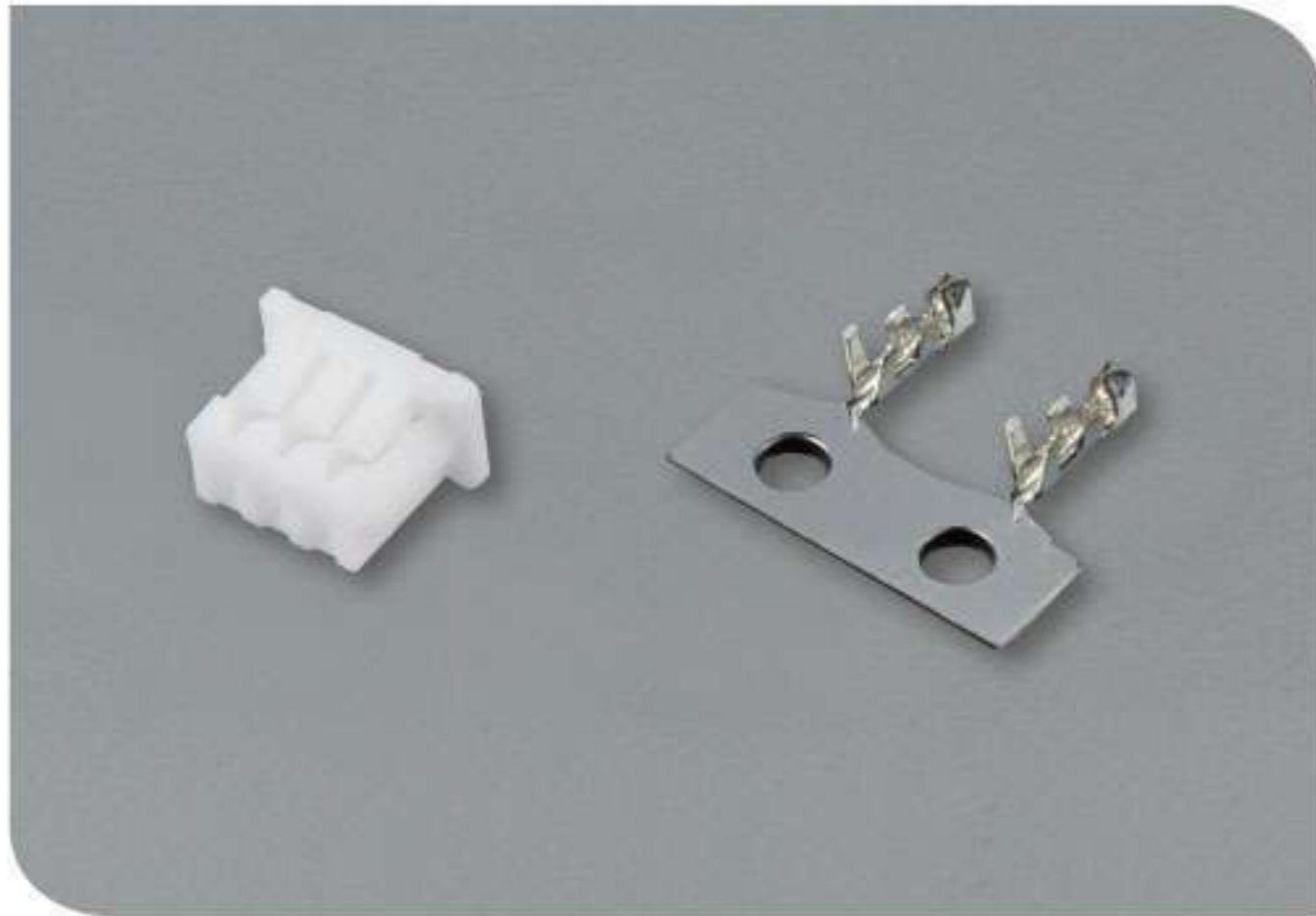
型号 Part No.	材质 Material	包装数量 Q'ty/bag	尺寸 Dimensions(mm)	
			A	B
C12501-A02P	PBT	2K	1.5	3.75
C12501-A03P		2K	2.5	5.0
C12501-A04P		2K	3.75	6.25
C12501-A05P		2K	5.0	7.5
C12501-A06P		2K	6.25	8.75
C12501-A07P		2K	7.5	10.0
C12501-A08P		2K	8.75	11.25
C12501-A09P		2K	10.0	12.5
C12501-A10P		2K	11.25	13.75
C12501-A11P		2K	12.5	15.0

C12501-ANAWB(SMNB-GHS-TB)



卧贴针座 NEEDLE HOLDER

型号 Part No.	材质 Material	包装数量 Q'ty/bag	尺寸 Dimensions(mm)	
			A	B
C12501-A02AWB	PA 高温	2K	1.5	5.75
C12501-A03AWB		2K	2.5	7.0
C12501-A04AWB		2K	3.75	8.25
C12501-A05AWB		2K	5.0	9.5
C12501-A06AWB		2K	6.25	10.75
C12501-A07AWB		2K	7.5	12.0
C12501-A08AWB		2K	8.75	13.25
C12501-A09AWB		2K	10.0	14.5
C12501-A10AWB		2K	11.25	15.75
C12501-A11AWB		2K	12.5	17.0

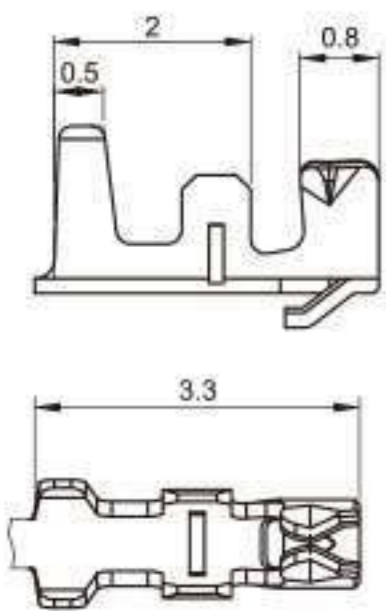


■ 技术参数 SPECIFICATIONS

- 线数 Number of positions:3
- 适用线规 Applicable wires:28 ~26AWG
- 温度范围 Temperature range:-40℃~105℃
(including temperature rise in applying electrical current)
- 额定电压 Voltage rating:125V AC,DC Max.
- 额定电流 Current rating:1A (26AWG)AC,DC Max.
- 接触电阻 Contact resistance: ≤ 20mΩ
- 绝缘电阻 Insulation resistance: ≥ 100MΩ
- 耐压 Withstanding voltage:250V AC/minute

*Compliant with RoHS.

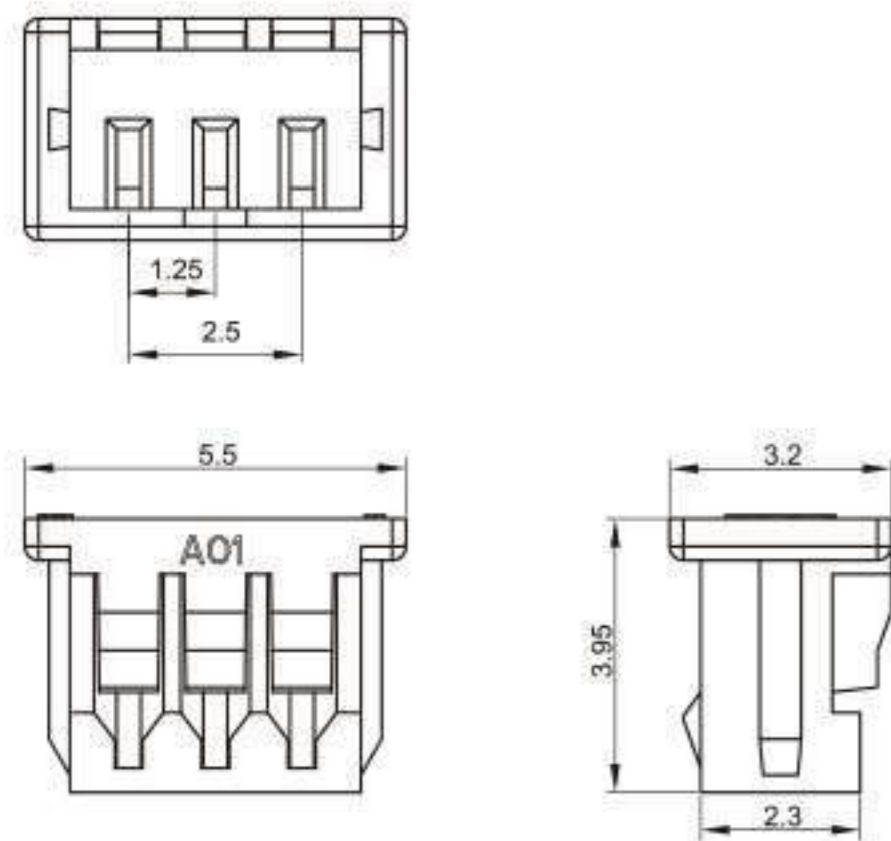
C12502-01PT(50079-8000)

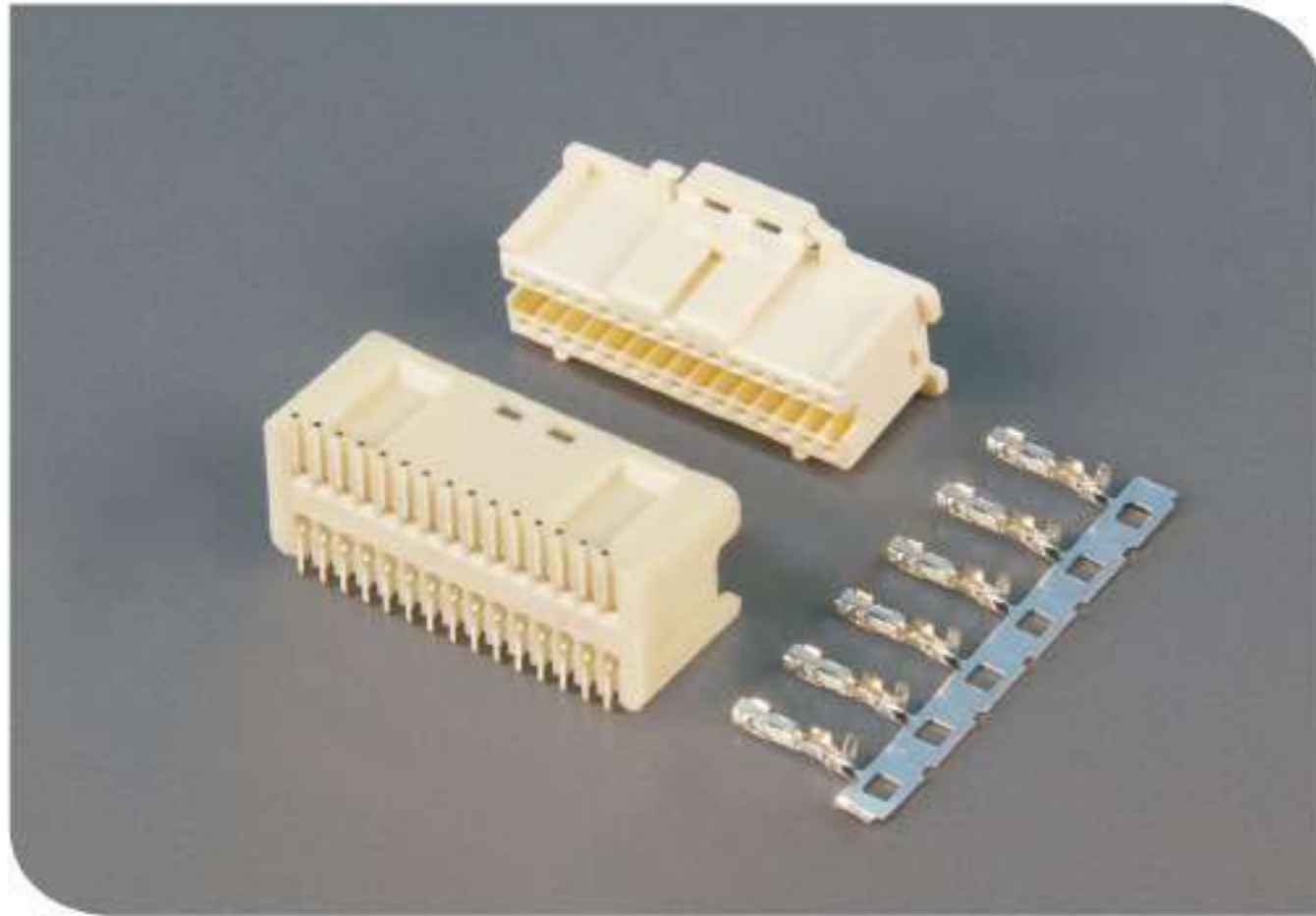


端子 TERMINAL

型号 Part No.	材质 Material	料厚 Thickness	线规 Applicable wires		电线外径 Wire insulation O.D. mm	镀层 Plating	包装数量 Q'ty/reel
			AWG#	线径 mm ²			
C12502-01PT	Phosphor bronze	0.15	28-26	0.07-0.13	0.7-1.3	Tin Plated	20K

C12502-A03P(51021-0300)



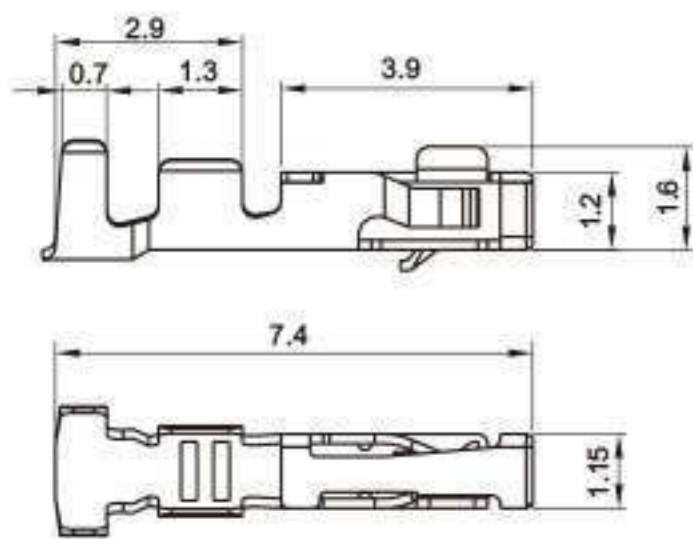


■ 技术参数 SPECIFICATIONS

- 线数 Number of positions: 4~36
- 适用线规 Applicable wires: 28~24AWG
- 温度范围 Temperature range: -40°C~105°C
(including temperature rise in applying electrical current)
- 额定电压 Voltage rating: 100V AC, DC Max.
- 额定电流 Current rating: 2A(24AWG)
- 接触电阻 Contact resistance: ≤ 10mΩ
- 绝缘电阻 Insulation resistance: ≥ 500MΩ
- 耐压 Withstanding voltage: 800V AC/minute

*Compliant with RoHS.

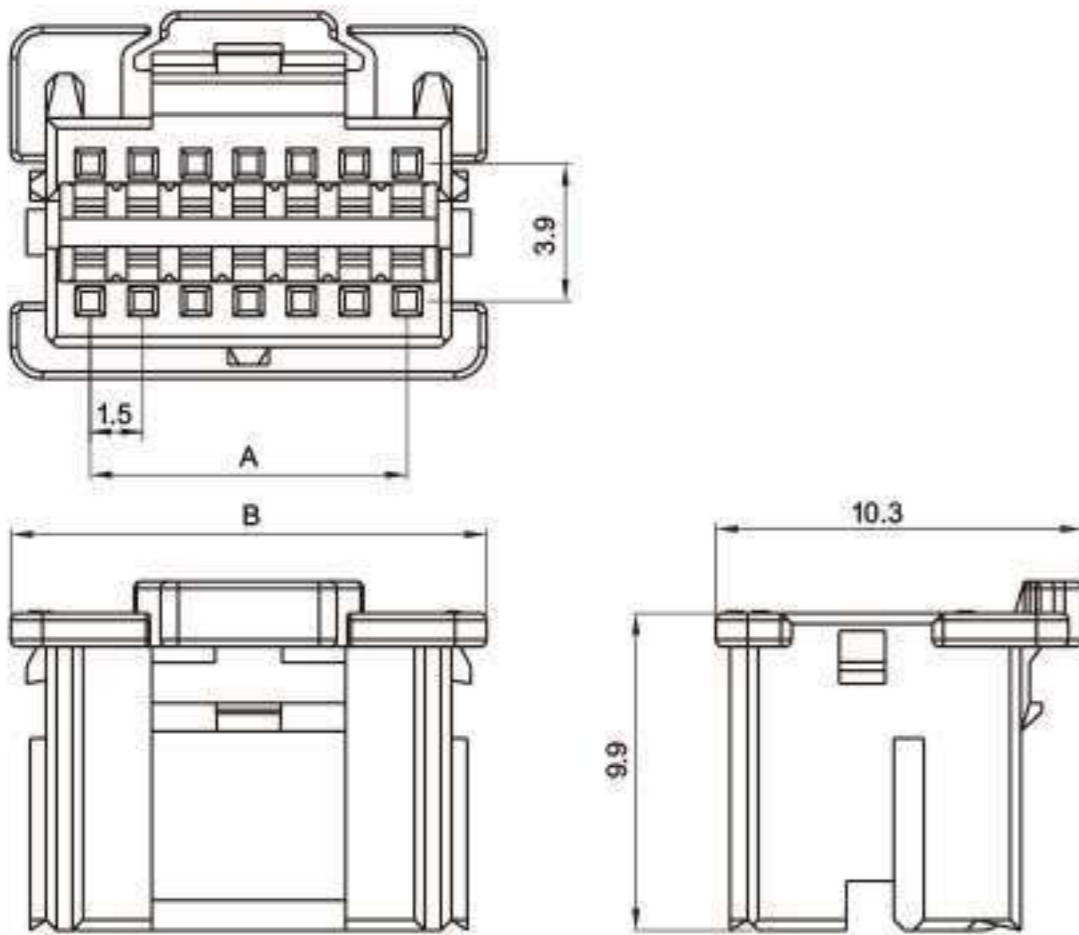
C15001-01PT(SZND-002T-P0.5)



端子 TERMINAL

型号 Part No.	材质 Material	料厚 Thickness	线规 Applicable wires		电线外径 Wire insulation O.D. mm	镀层 Plating	包装数量 Q'ty/reel
			AWG#	线径 mm ²			
C15001-01PT	Phosphor bronze	0.15	28-24	0.06-0.13	0.7-0.22	Tin Plated	18K

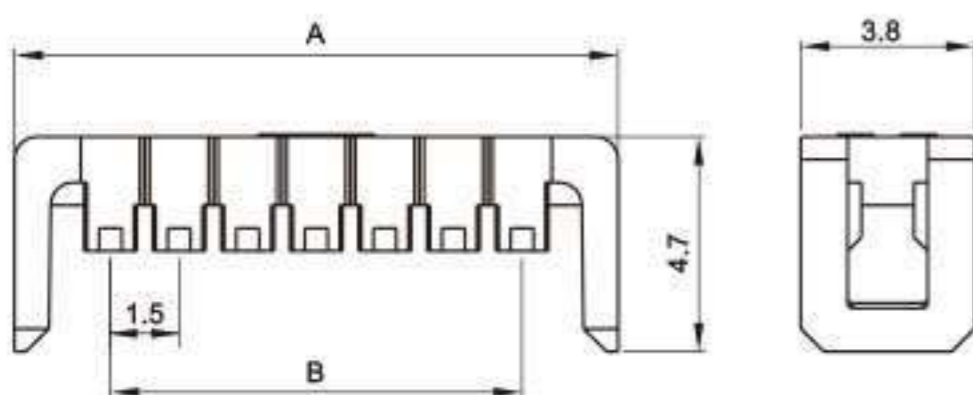
ZNDP-NV-A-S(C15001-ANP)



公端塑件 PLUG HOUSING

型号 Part No.	材质 Material	包装数量 Q'ty/bag	尺寸 Dimensions(mm)	
			A	B
C15001-A04P	PA66	2K	1.5	6.0
C15001-A06P		2K	3.0	7.5
C15001-A14P		2K	9.0	13.5
C15001-A30P		2K	21.0	25.5
C15001-A32P		2K	22.5	27.0
C15001-A36P		2K	25.5	30.0

ZNDS-NV-K(C15001-ANS)

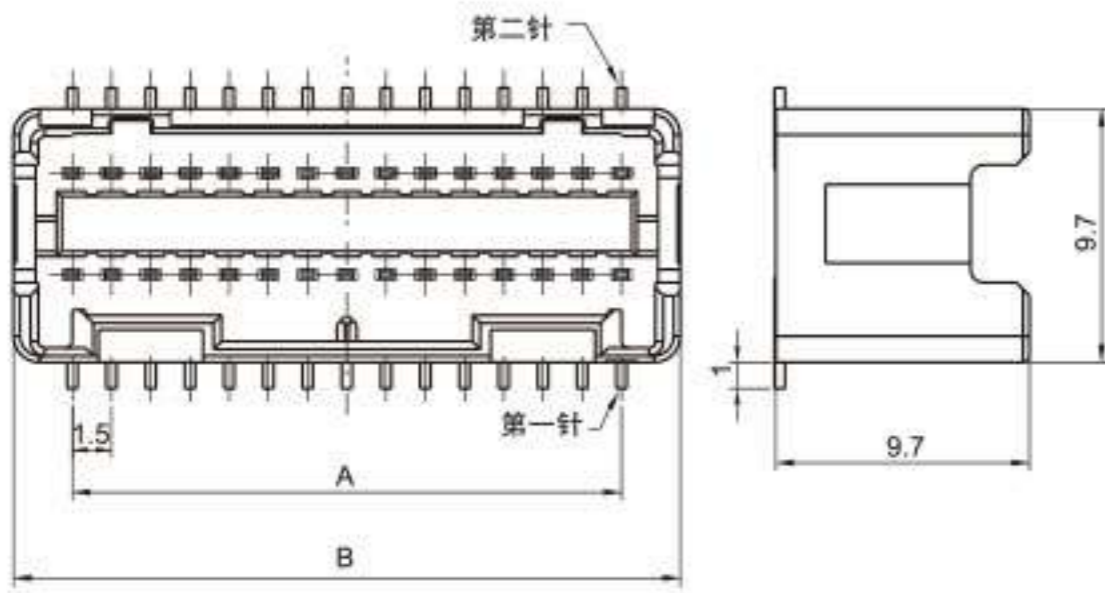


锁片 TPA

型号 Part No.	材质 Material	包装数量 Q'ty/bag	尺寸 Dimensions(mm)	
			A	B
C15001-A04S	PA66	2K	1.5	5.7
C15001-A06S		2K	3.0	7.2
C15001-A14S		2K	9.0	13.2
C15001-A30S		2K	21.0	25.2
C15001-A32S		2K	22.5	26.7
C15001-A36S		2K	25.5	29.7

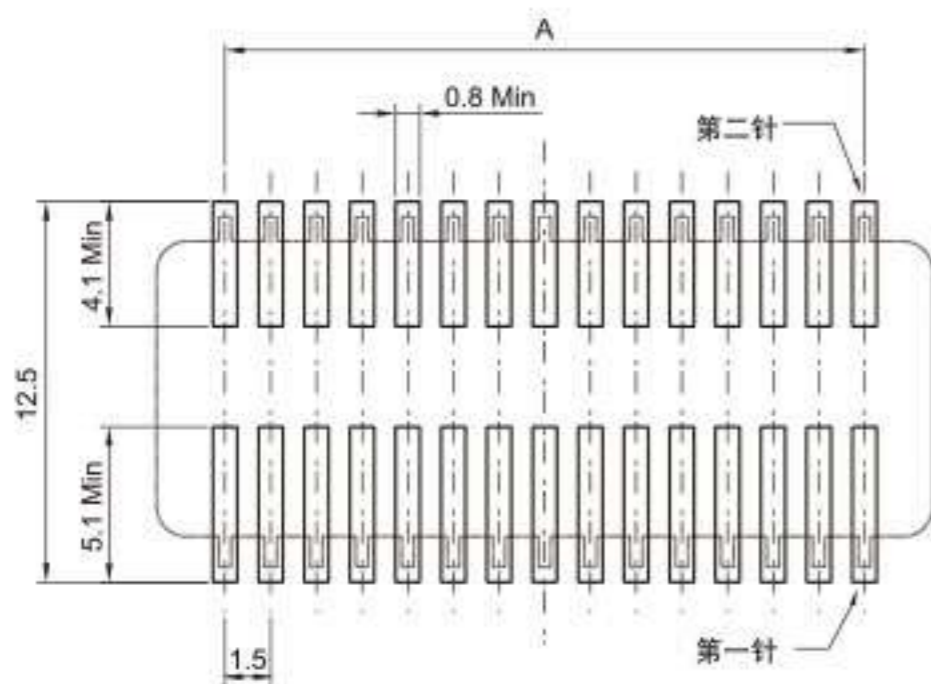
C15001-ANAB(BMNB-ZNDSS-A-TF)

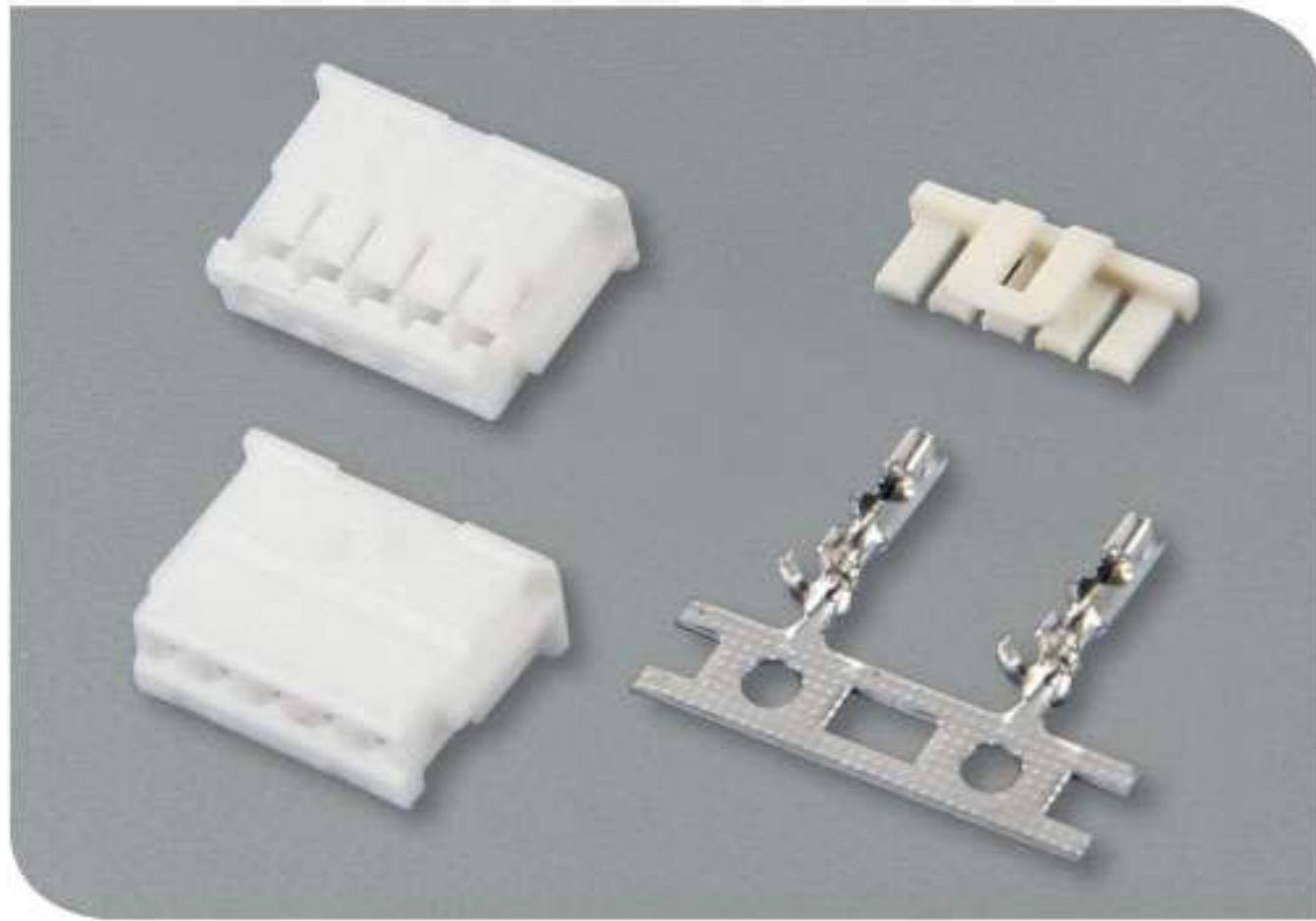
针座 WAFER



型号 Part No.	材质 Material	包装数量 Q'ty/bag	尺寸 Dimensions(mm)	
			A	B
C15001-A04AB	PA 高温	0.52K	1.5	6.0
C15001-A06AB		0.52K	3.0	7.5
C15001-A14AB		0.52K	9.0	13.5
C15001-A30AB		0.52K	21.0	25.5
C15001-A32AB		0.52K	22.5	27.0
C15001-A36AB		0.52K	25.5	30.0

针座安装示意图

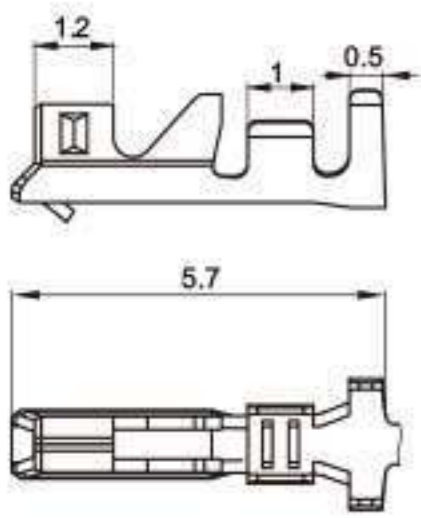




■ 技术参数 SPECIFICATIONS

- 线数 Number of positions:5
 - 适用线规 Applicable wires:28~26AWG
 - 温度范围 Temperature range:-40℃~105℃
(including temperature rise in applying electrical current)
 - 额定电压 Voltage rating:125V AC,DC Max.
 - 额定电流 Current rating:1A(24AWG)
 - 接触电阻 Contact resistance: ≤ 20mΩ
 - 绝缘电阻 Insulation resistance: ≥ 500MΩ
 - 耐压 Withstanding voltage:500V AC/minute
- *Compliant with RoHS.

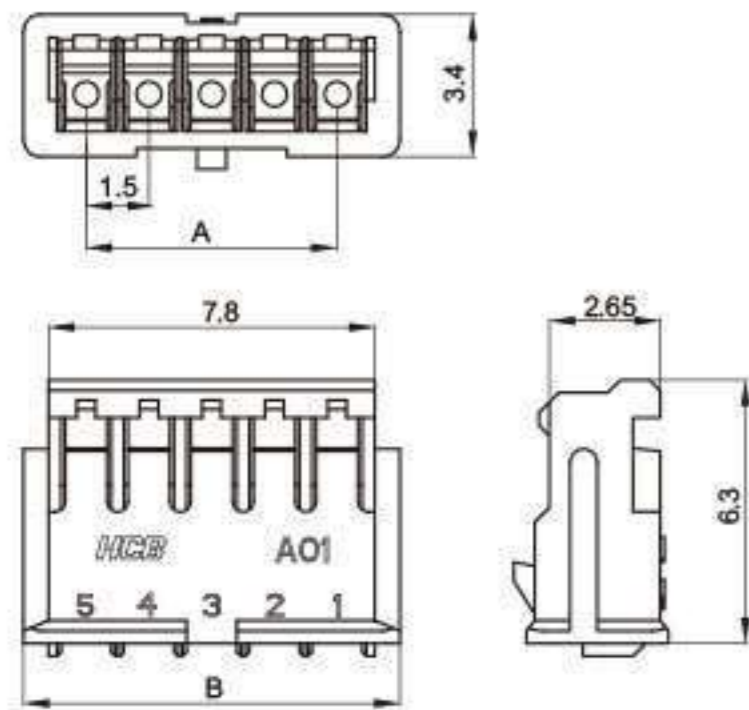
C15002-01PT(ZH-PT)



端子 TERMINAL

型号 Part No.	材质 Material	料厚 Thickness	线规 Applicable wires		电线外径 Wire insulation O.D. mm	镀层 Plating	包装数量 Q'ty/reel
			AWG#	线径 mm ²			
C15002-01PT	Phosphor bronze	0.2	28-26	0.07-0.13	0.7-1.3	Tin Plated	8K

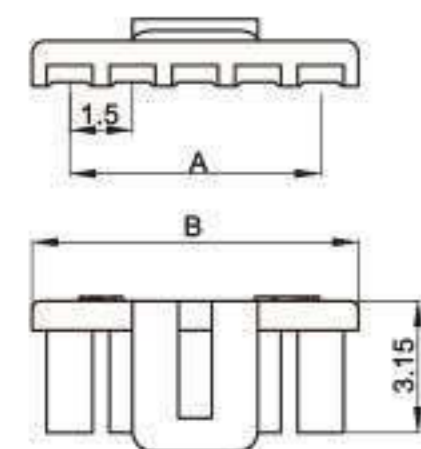
C15002-ANP(ZH-NY)



公端塑件 PLUG HOUSING

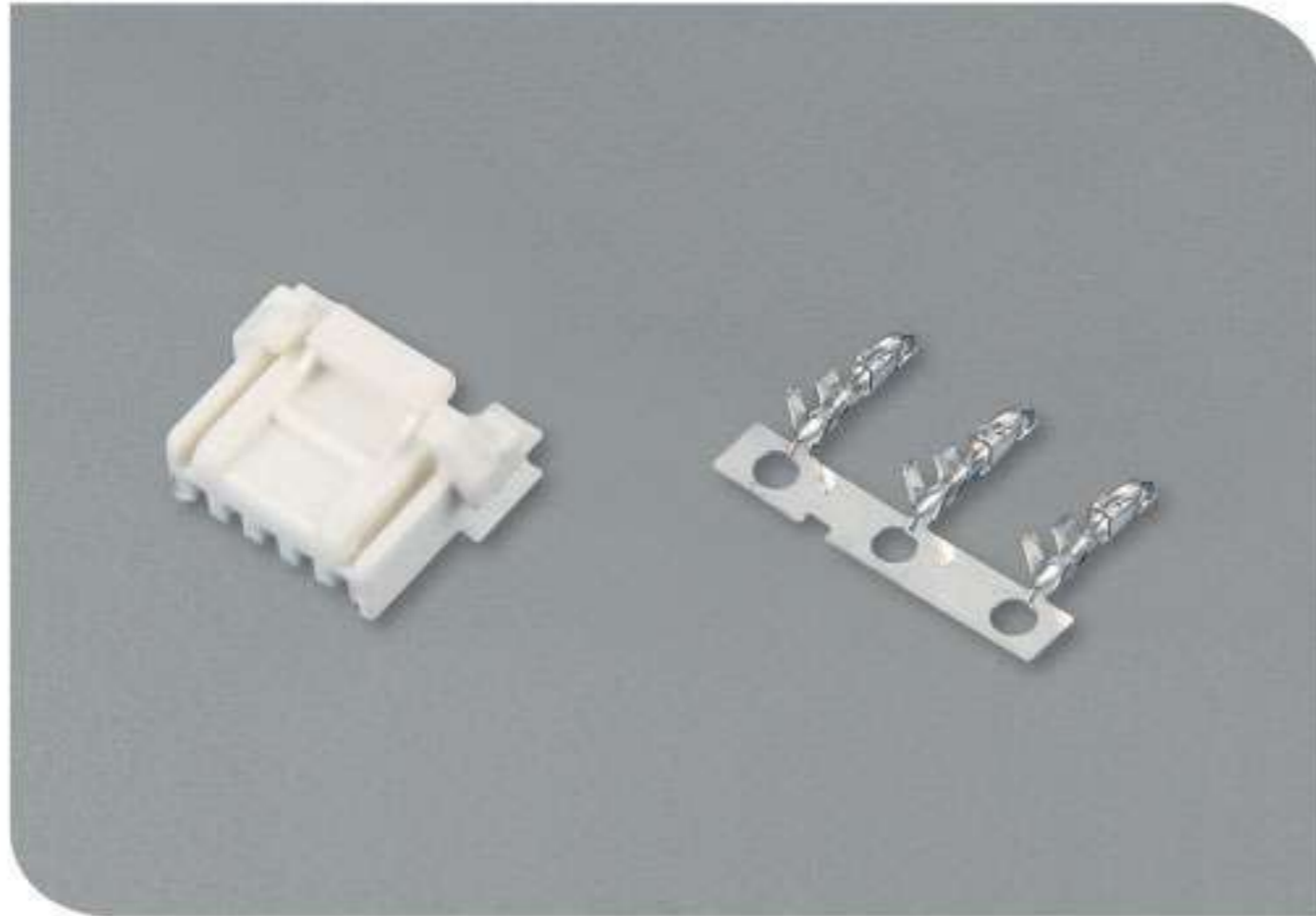
型号 Part No.	材质 Material	包装数量 Q'ty/bag	尺寸 Dimensions(mm)	
			A	B
C15002-A05P	PA66	2K	6.0	9.0

C15002-ANS(ZH-NS)



锁片 TPA

型号 Part No.	材质 Material	包装数量 Q'ty/bag	尺寸 Dimensions(mm)	
			A	B
C15002-A05S	PA66	2K	6.0	7.8

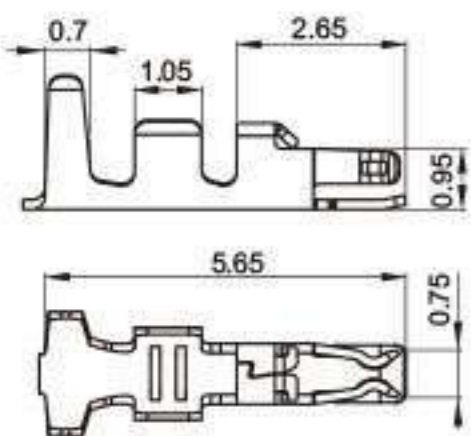


■ 技术参数 SPECIFICATIONS

- 线数 Number of positions:5
- 适用线规 Applicable wires:28~24AWG
- 温度范围 Temperature range:-40℃~105℃
(including temperature rise in applying electrical current)
- 额定电压 Voltage rating:50V AC,DC Max.
- 额定电流 Current rating:2A(26AWG)
- 接触电阻 Contact resistance: ≤ 20mΩ
- 绝缘电阻 Insulation resistance: ≥ 500MΩ
- 耐压 Withstanding voltage:500V AC/minute

*Compliant with RoHS.

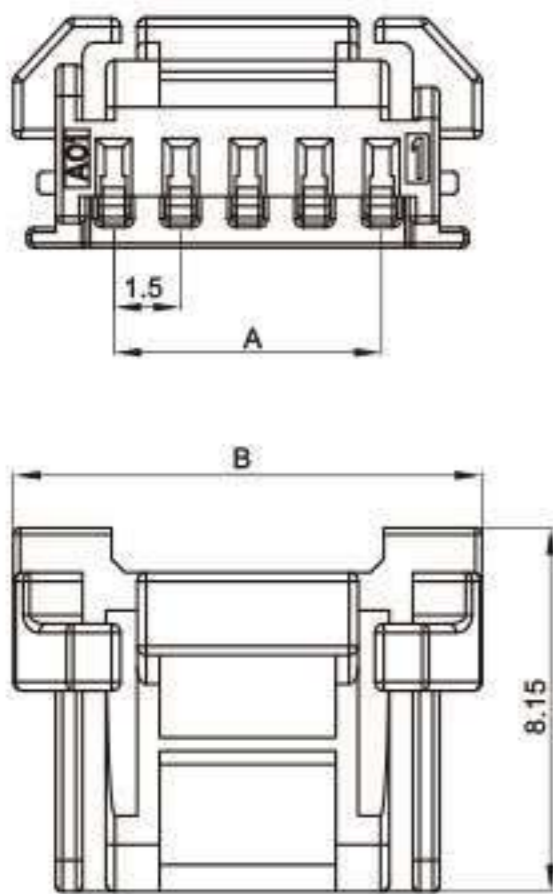
C15003-01PT(2371403-2)



端子 TERMINAL

型号 Part No.	材质 Material	料厚 Thickness	线规 Applicable wires		电线外径 Wire insulation O.D. mm	镀层 Plating	包装数量 Q'ty/reel
			AWG#	线径 mm ²			
C15003-01PT	Phosphor bronze	0.15	28-24	0.07-0.22	0.7-1.3	Tin Plated	18K

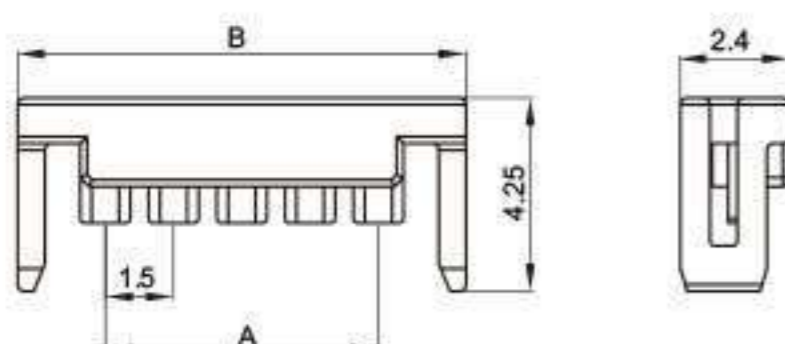
C15003-ANP(2382946-5)



公端塑件 PLUG HOUSING

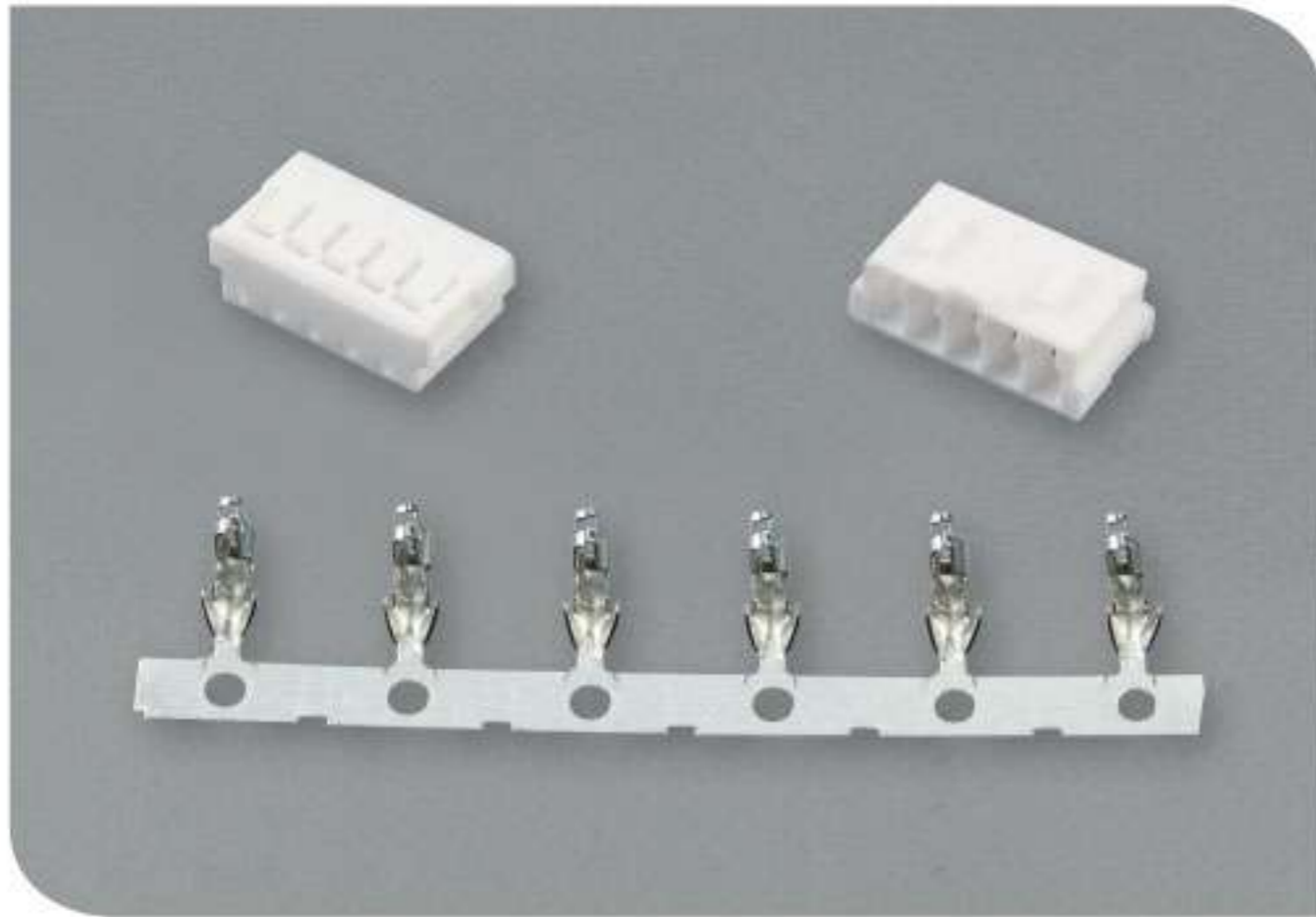
型号 Part No.	材质 Material	包装数量 Q'ty/bag	尺寸 Dimensions(mm)	
			A	B
C15003-A05P	PA66	2K	6.0	10.5

C15003-ANS(2383410-5)



锁片 TPA

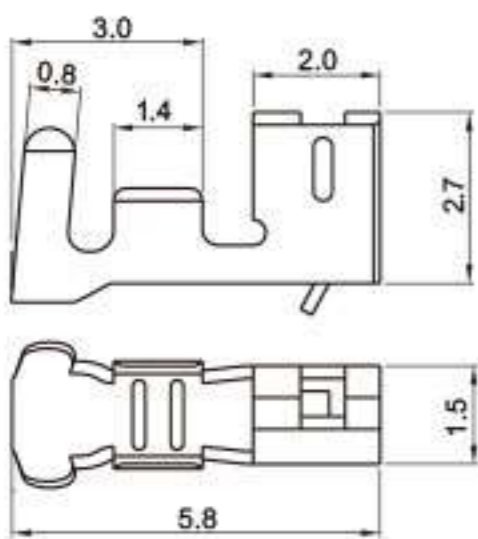
型号 Part No.	材质 Material	包装数量 Q'ty/bag	尺寸 Dimensions(mm)	
			A	B
C15003-A05S	PA66	2K	6.0	9.85



■ 技术参数 SPECIFICATIONS

- 线数 Number of positions:5
 - 适用线规 Applicable wires:26~22AWG
 - 温度范围 Temperature range:-40℃~105℃
(including temperature rise in applying electrical current)
 - 额定电压 Voltage rating:100V AC,DC Max.
 - 额定电流 Current rating:2A(22AWG)
 - 接触电阻 Contact resistance: ≤ 10mΩ
 - 绝缘电阻 Insulation resistance: ≥ 500MΩ
 - 耐压 Withstanding voltage:800V AC/minute
- *Compliant with RoHS.

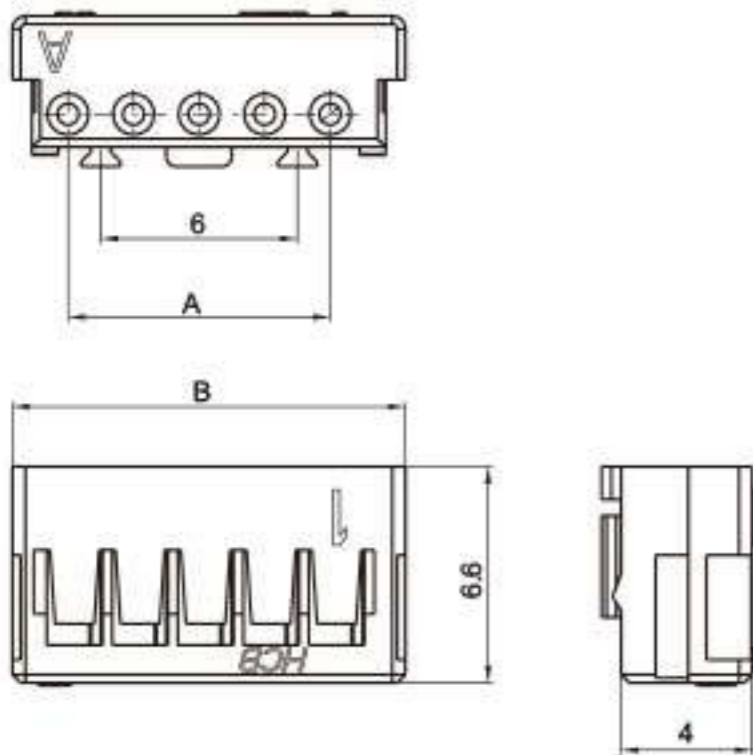
C20001-01PT(179227-1)



端子 TERMINAL

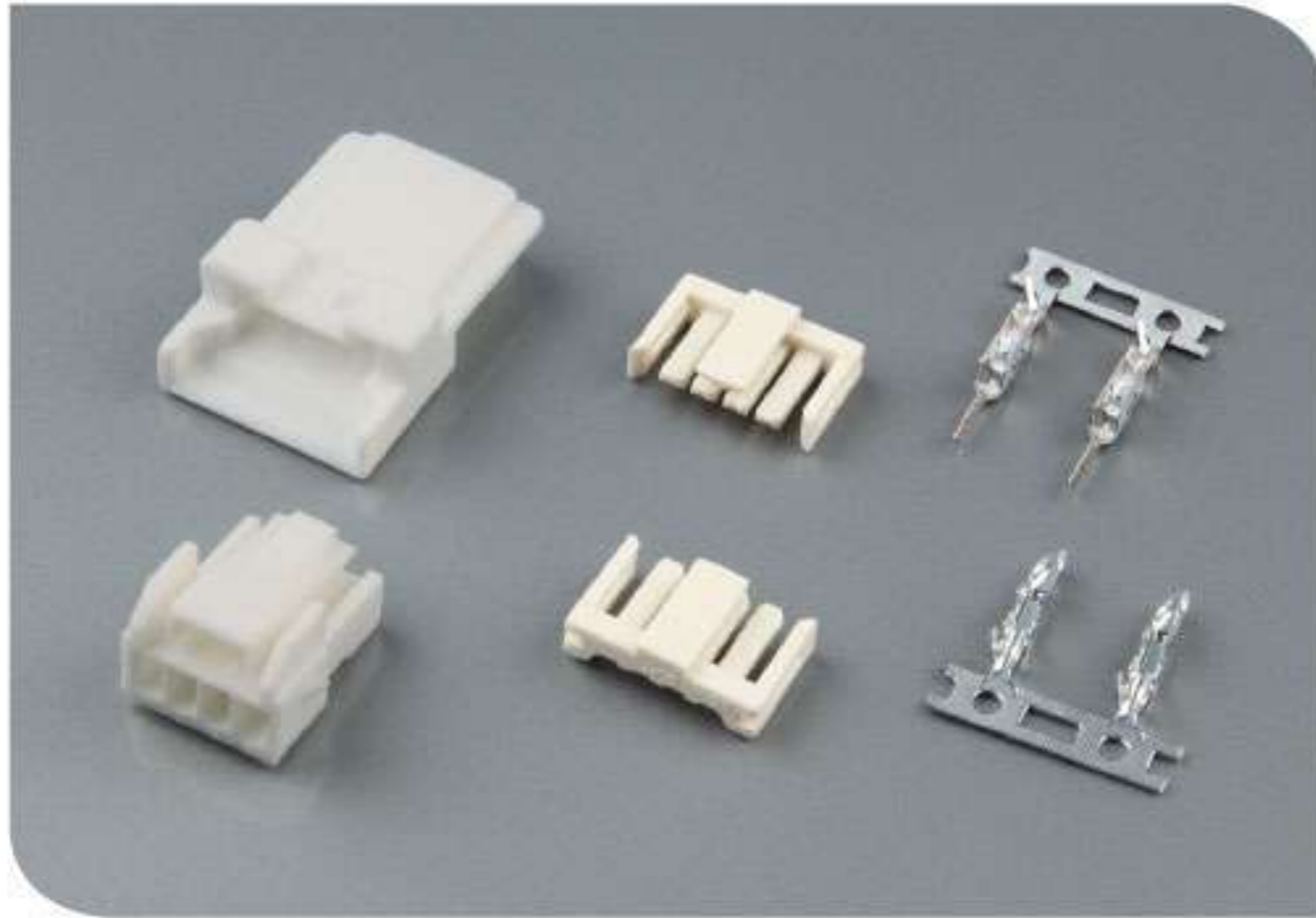
型号 Part No.	材质 Material	料厚 Thickness	线规 Applicable wires		电线外径 Wire insulation O.D. mm	镀层 Plating	包装数量 Q'ty/reel
			AWG#	线径 mm ²			
C20001-01PT	Phosphor bronze	0.2	26-22	0.13-0.33	1.3-1.7	Tin Plated	7K

C20001-ANP(179228-1)



公端塑件 PLUG HOUSING

型号 Part No.	材质 Material	包装数量 Q'ty/bag	尺寸 Dimensions(mm)	
			A	B
C20001-A05P	PA66	2K	8.0	12.0

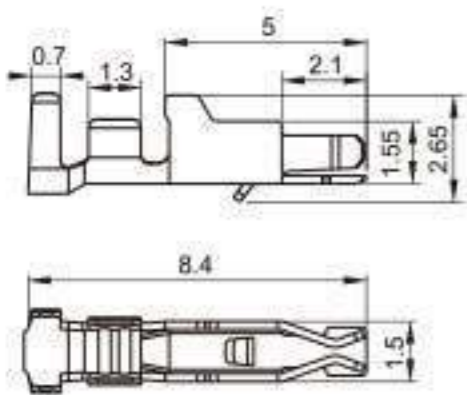


■ 技术参数 SPECIFICATIONS

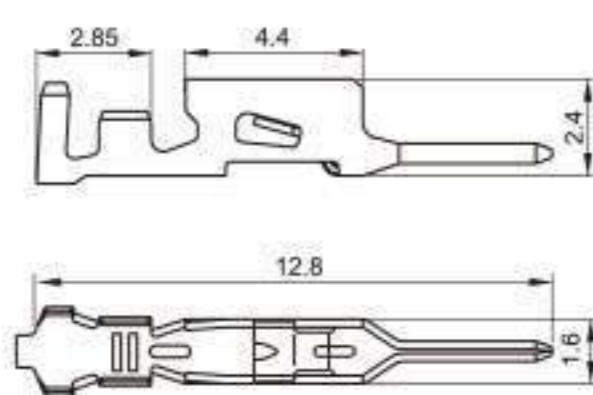
- 线数 Number of positions: 2~13
- 适用线规 Applicable wires: 28~22AWG
- 温度范围 Temperature range: -40°C~105°C
(including temperature rise in applying electrical current)
- 额定电压 Voltage rating: 100V AC, DC Max.
- 额定电流 Current rating: 2A (22AWG)
- 接触电阻 Contact resistance: ≤ 10mΩ
- 绝缘电阻 Insulation resistance: ≥ 500MΩ
- 耐压 Withstanding voltage: 800V AC/minute

*Compliant with RoHS.

C20002-01RT(SPA-001T-P0.5)



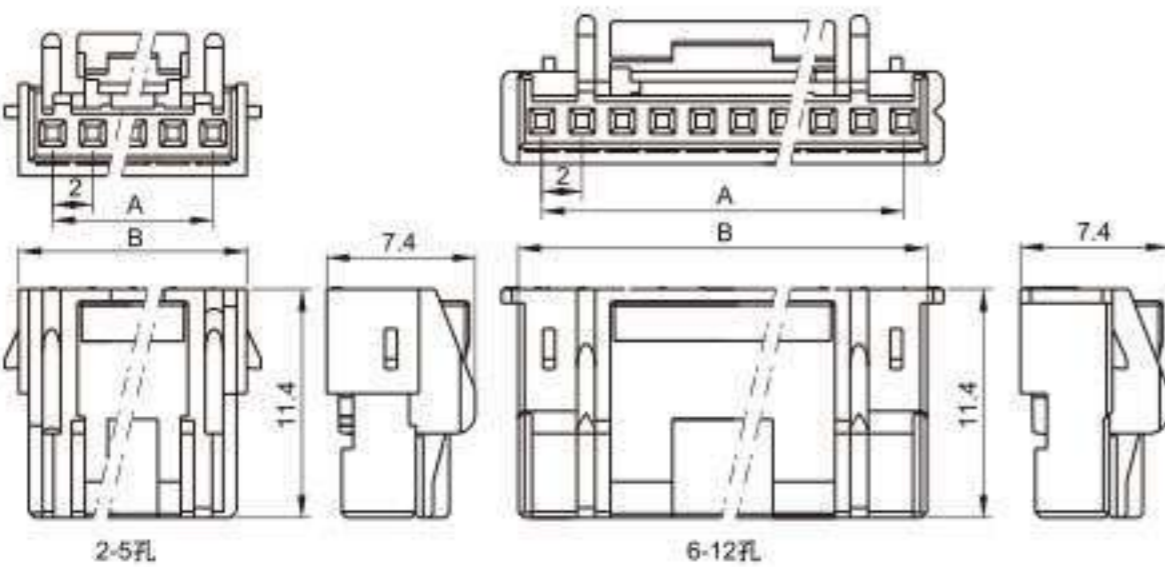
C20002-01PT(SPAL-001T-P0.5)



端子 TERMINAL

型号 Part No.	材质 Material	料厚 Thickness	线规 Applicable wires		电线外径 Wire insulation O.D. mm	镀层 Plating	包装数量 Q'ty/reel
			AWG#	线径 mm ²			
C20002-01PT	Phosphor bronze	0.2	26-22	0.13-0.33	1.3-1.7	Tin Plated	10K
C20002-00PT	Phosphor bronze	0.2	28-24	0.06-0.2	1.0-1.3	Tin Plated	10K
C20002-01RT	Phosphor bronze	0.2	26-22	0.13-0.33	1.3-1.7	Tin Plated	10K
C20002-00RT	Phosphor bronze	0.2	28-24	0.06-0.2	1.0-1.3	Tin Plated	10K

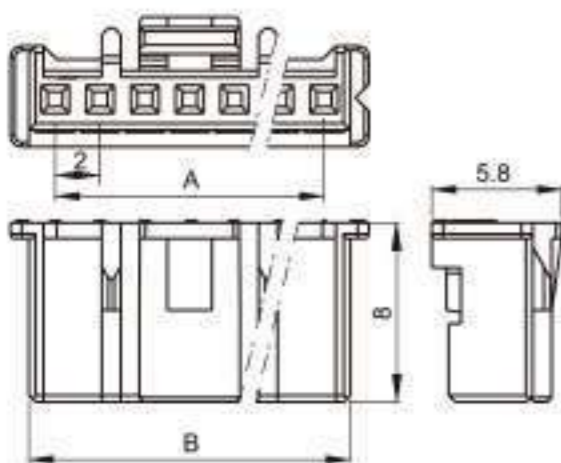
C20002-ANP(PARP-NV)



公端塑件 PLUG HOUSING

型号 Part No.	材质 Material	包装数量 Q'ty/bag	尺寸 Dimensions(mm)	
			A	B
C20002-A02P	PA66	1K	2.0	5.35
C20002-A03P		1K	4.0	7.35
C20002-A04P		1K	6.0	9.35
C20002-A05P		1K	8.0	11.35
C20002-A06P		1K	10.0	13.35
C20002-A07P		1K	12.0	15.35
C20002-A08P		1K	14.0	17.35
C20002-A09P		1K	16.0	19.35
C20002-A10P		1K	18.0	21.35
C20002-A13P		1K	24.0	27.35

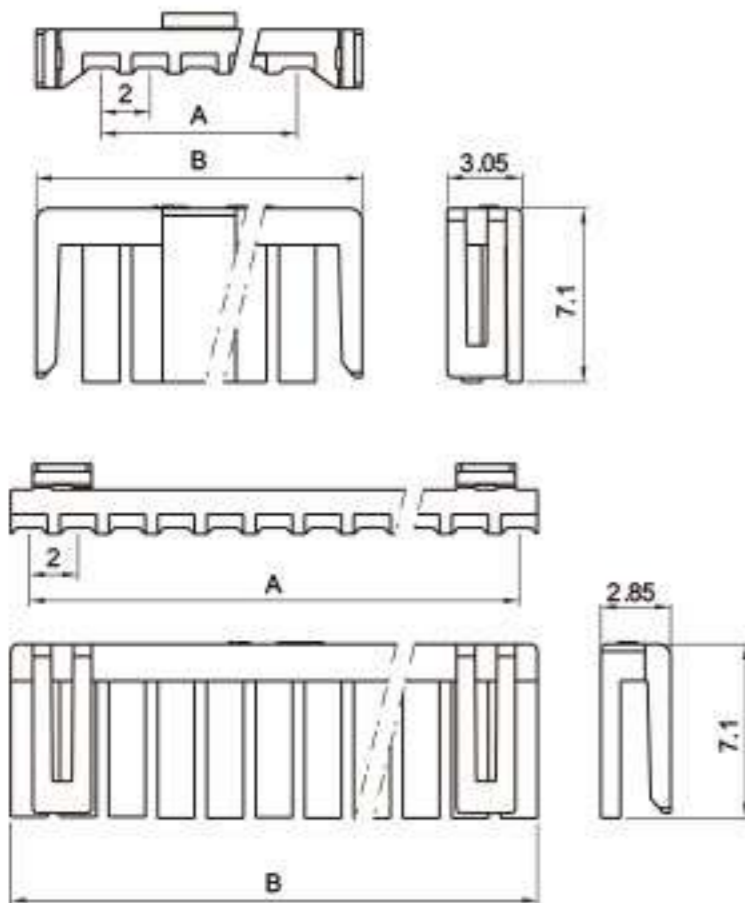
C20002-BNP(PAP-NV)



公端塑件 PLUG HOUSING

型号 Part No.	材质 Material	包装数量 Q'ty/bag	尺寸 Dimensions(mm)	
			A	B
C20002-B02P	PA66	1K	2.0	4.35
C20002-B03P		1K	4.0	6.35
C20002-B04P		1K	6.0	8.35
C20002-B05P		1K	8.0	10.35
C20002-B06P		1K	10.0	12.35
C20002-B07P		1K	12.0	14.35
C20002-B08P		1K	14.0	16.35
C20002-B09P		1K	16.0	18.35
C20002-B10P		1K	18.0	20.35
C20002-B13P		1K	24.0	26.35

C20002-ANS(PMS-NV-S)

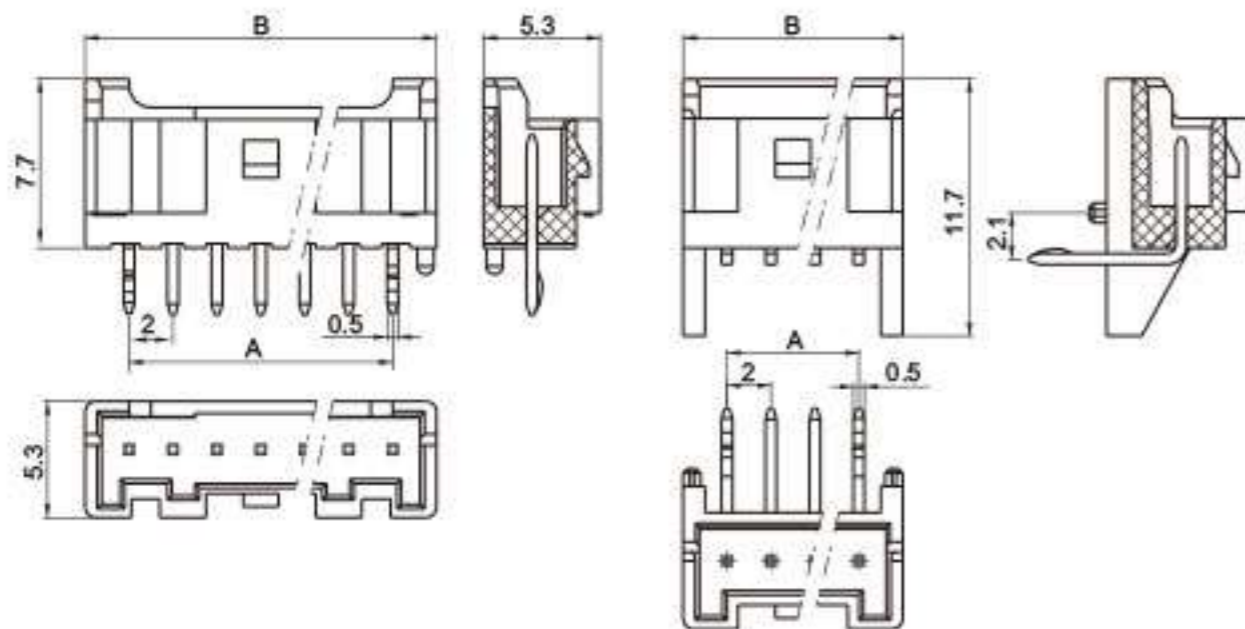


锁片 TPA

型号 Part No.	材质 Material	包装数量 Q'ty/bag	尺寸 Dimensions(mm)	
			A	B
C20002-A02S	PA66	2K	2.0	7.35
C20002-A03S		2K	4.0	9.3
C20002-A04S		2K	6.0	11.3
C20002-A05S		2K	8.0	13.3
C20002-A06S		2K	10.0	11.5
C20002-A07S		2K	12.0	13.5
C20002-A08S		2K	14.0	15.5
C20002-A09S		2K	16.0	17.5
C20002-A10S		2K	18.0	19.5
C20002-A13S		2K	24.0	23.5

C20002-ANAD(BNB-PASK-1)

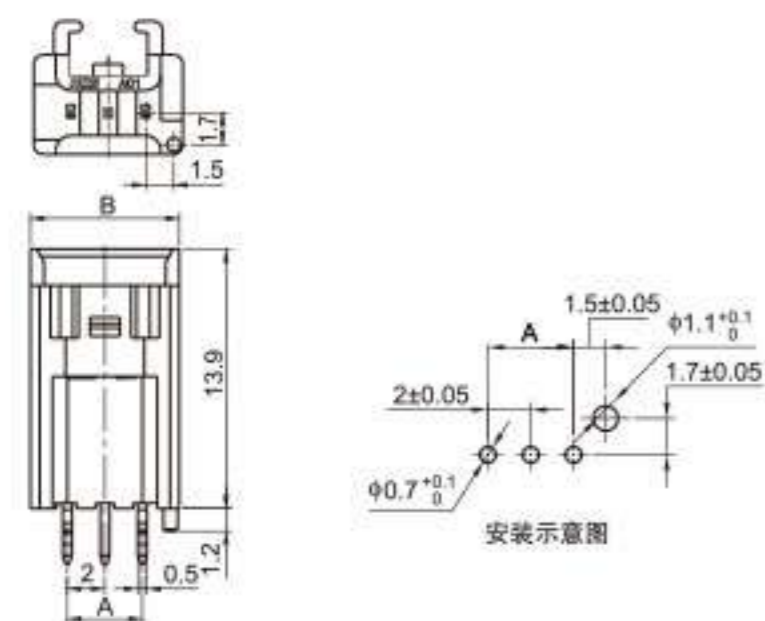
C20002-ANAWD(BNB-PASK-2)



针座带定位柱 WAFER WITH POLARIZING BOSS

型号 Part No.		材质 Material	包装数量 Q'ty/bag	尺寸 Dimensions(mm)	
直式 vertical type	弯式 curved type			A	B
C20002-A02AD	C20002-A02AWD	PA66	0.5K	2.0	6.0
C20002-A03AD	C20002-A03AWD		0.5K	4.0	8.0
C20002-A04AD	C20002-A04AWD		0.5K	6.0	10.0
C20002-A05AD	C20002-A05AWD		0.5K	8.0	12.0
C20002-A06AD	C20002-A06AWD		0.5K	10.0	14.0
C20002-A07AD	C20002-A07AWD		0.5K	12.0	16.0
C20002-A08AD	C20002-A08AWD		0.5K	14.0	18.0
C20002-A09AD	C20002-A09AWD		0.5K	16.0	20.0
C20002-A10AD	C20002-A10AWD		0.5K	18.0	22.0
C20002-A13AD	C20002-A13AWD		0.5K	24.0	28.0

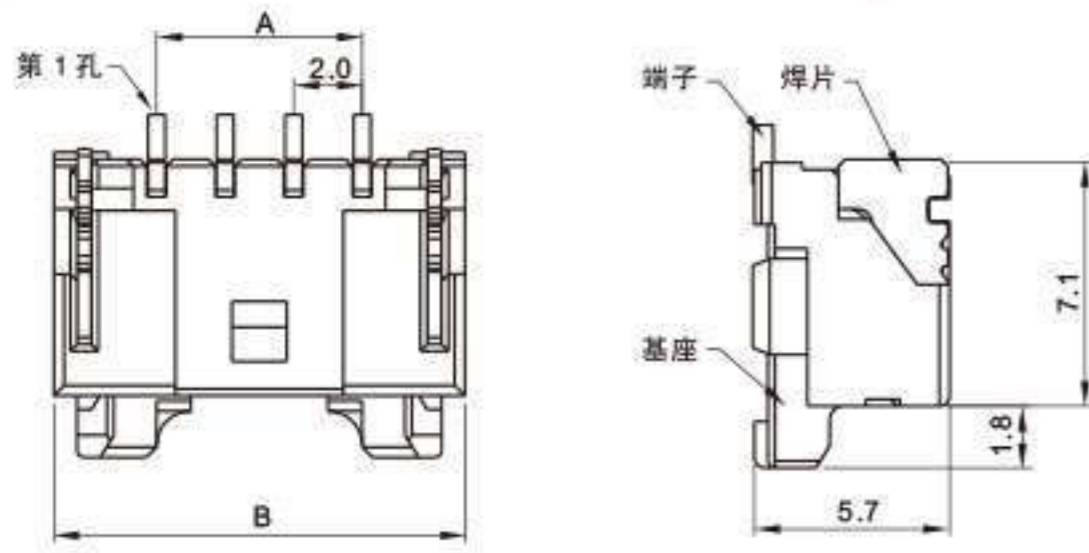
C20002-BNAD(BHNB-PASK)



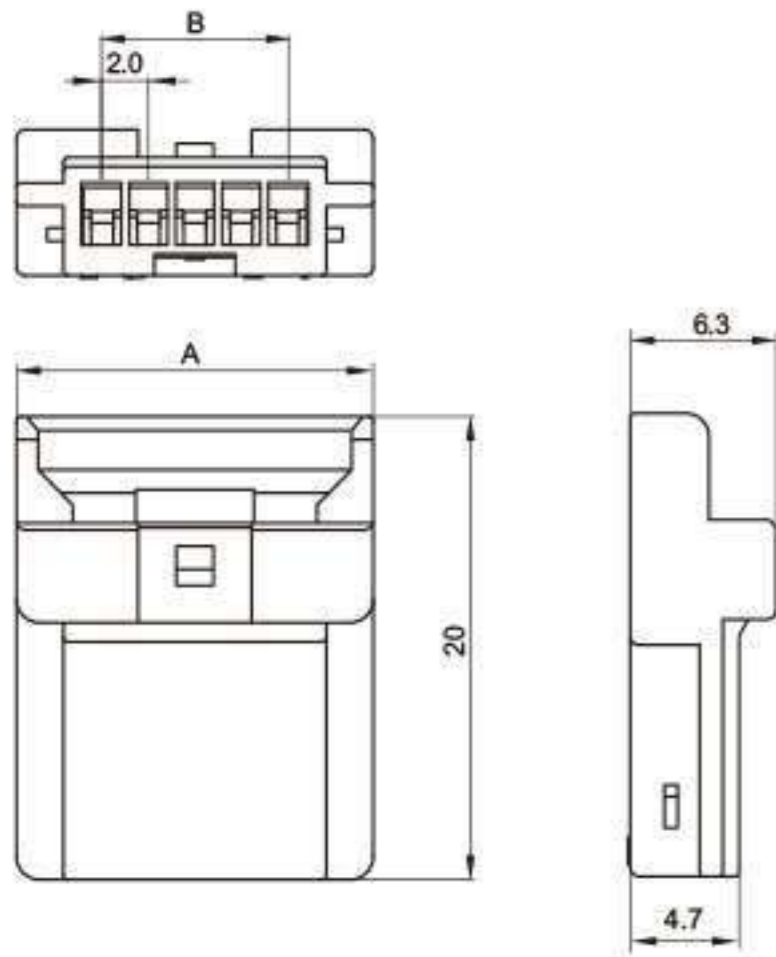
针座 WAFER

型号 Part No.	材质 Material	包装数量 Q'ty/bag	尺寸 Dimensions(mm)	
			A	B
C20002-B02AD	PA66	1K	2.0	6.0
C20002-B03AD		1K	4.0	8.0
C20002-B04AD		1K	6.0	10.0
C20002-B05AD		1K	8.0	12.0
C20002-B06AD		1K	10.0	14.0
C20002-B07AD		1K	12.0	16.0
C20002-B08AD		1K	14.0	18.0
C20002-B09AD		1K	16.0	20.0
C20002-B10AD		1K	18.0	22.0
C20002-B13AD		1K	24.0	28.0

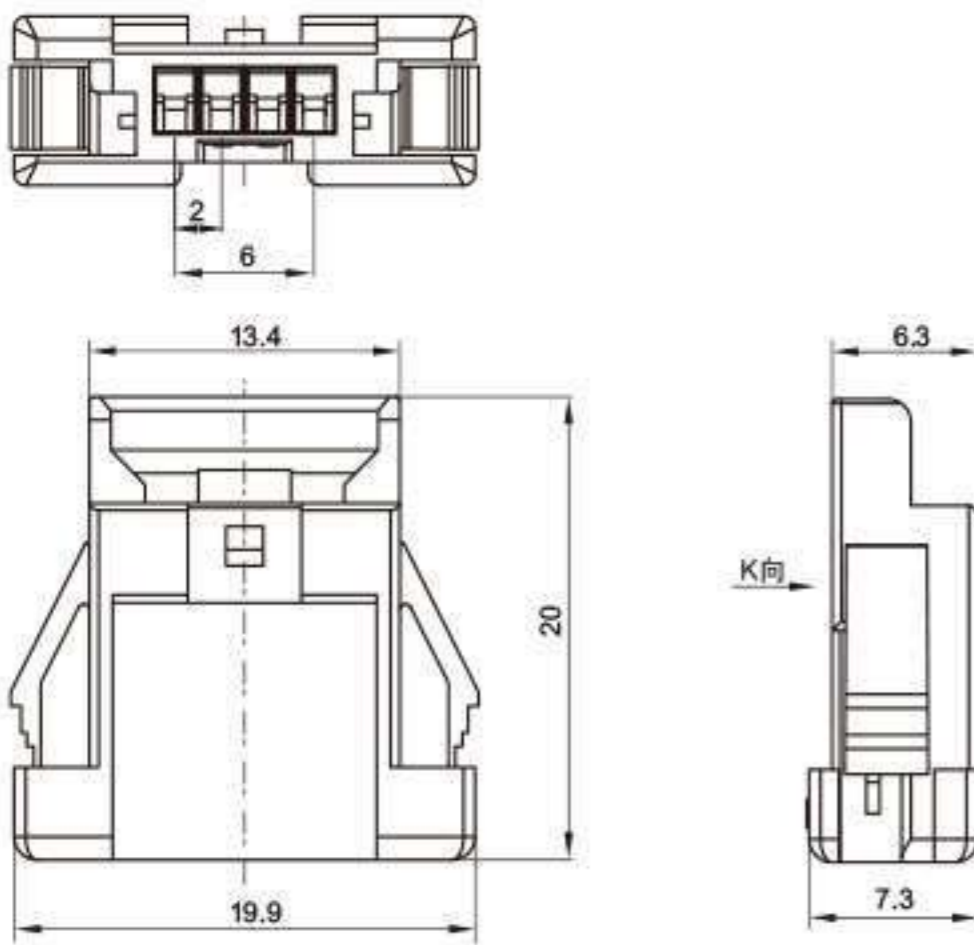
C20002-ANAWB/AWBD(BNB-PASS/PASS-1)



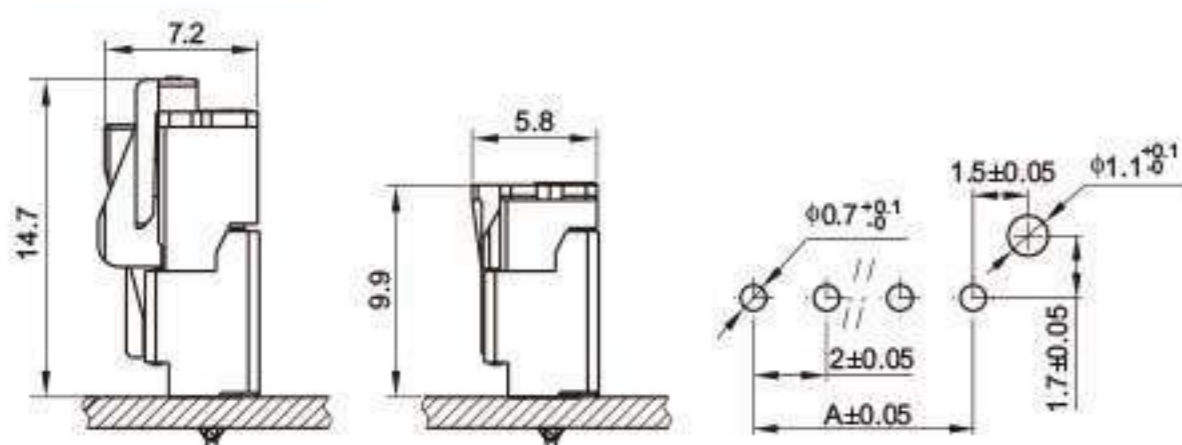
C20002-ANRF(PALR-NVF)



C20002-ANR(PALR-04V)



安装示意图

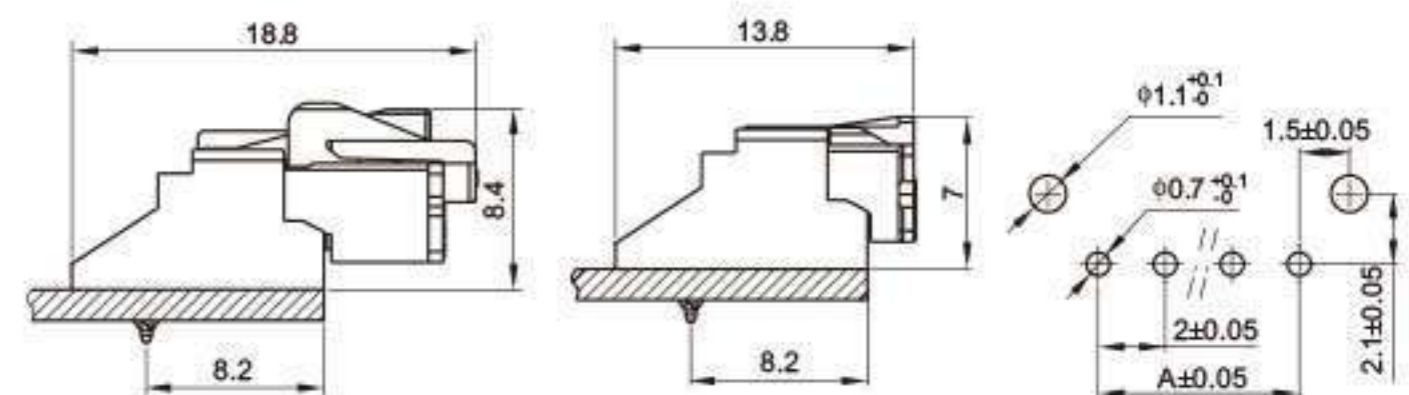


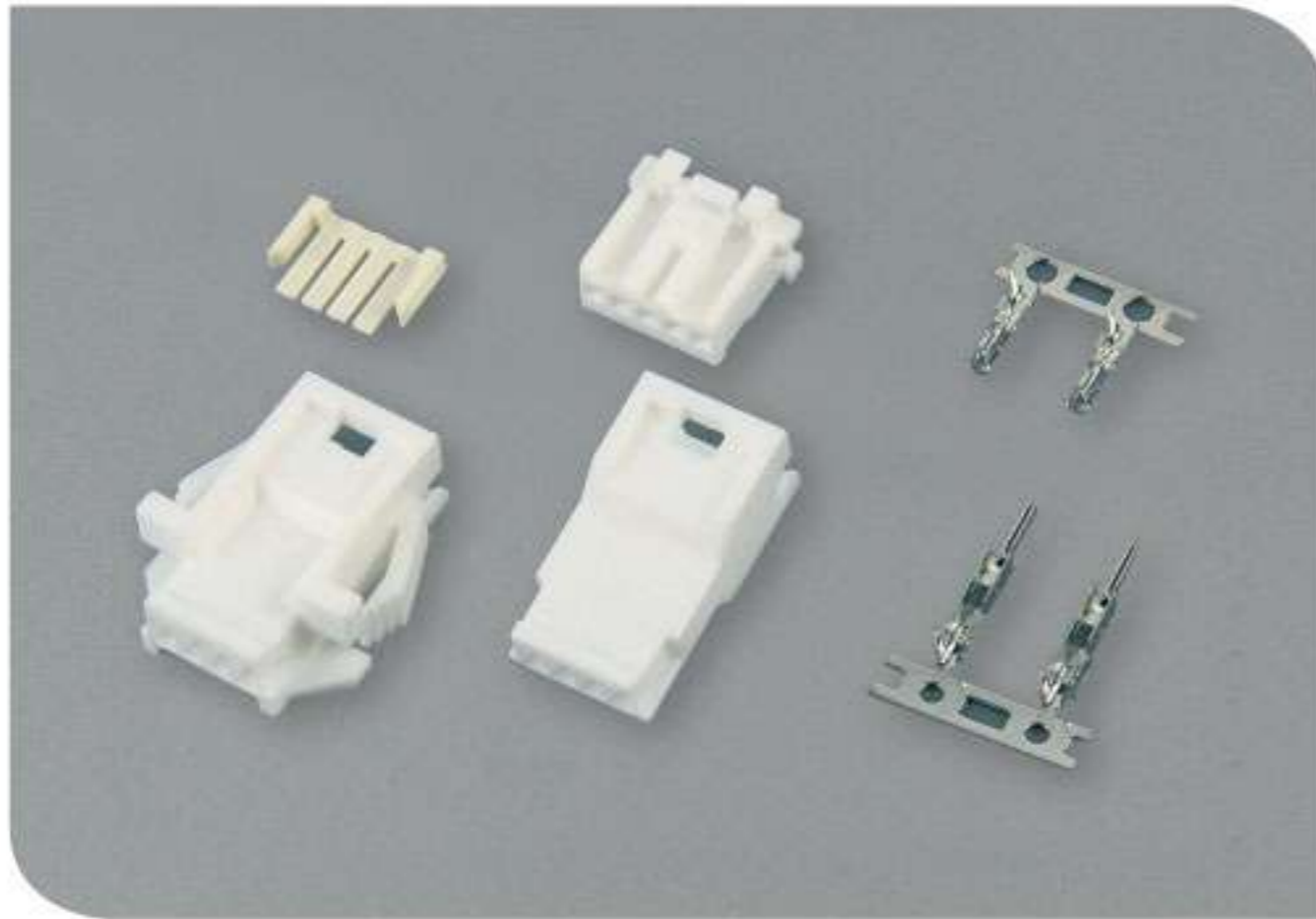
针座 WAFER

型号 Part No.	材质 Material	包装数量 Q'ty/bag	尺寸 Dimensions(mm)	
			A	B
C20002-A02AWB C20002-A02AWBD	PA66	1K	2.0	6.0
C20002-A03AWB C20002-A03AWBD		1K	4.0	8.0
C20002-A04AWB C20002-A04AWBD		1K	6.0	10.0
C20002-A05AWB C20002-A05AWBD		1K	8.0	12.0
C20002-A06AWB C20002-A06AWBD		1K	10.0	14.0
C20002-A07AWB C20002-A07AWBD		1K	12.0	16.0
C20002-A08AWB C20002-A08AWBD		1K	14.0	18.0
C20002-A09AWB C20002-A09AWBD		1K	16.0	20.0
C20002-A10AWB C20002-A10AWBD		1K	18.0	22.0
C20002-A13AWB C20002-A13AWBD		1K	24.0	28.0

母端塑件 RECEPTACLE

型号 Part No.	材质 Material	包装数量 Q'ty/bag	尺寸 Dimensions(mm)	
			A	B
C20002-A02RF	PA66	1K	9.4	2.0
C20002-A03RF		1K	11.4	4.0
C20002-A04RF		1K	13.4	6.0
C20002-A05RF		1K	15.4	8.0
C20002-A06RF		1K	17.4	10.0
C20002-A07RF		1K	19.4	12.0
C20002-A08RF		1K	21.4	14.0
C20002-A04R		1K	15.4	8.0





■ 技术参数 SPECIFICATIONS

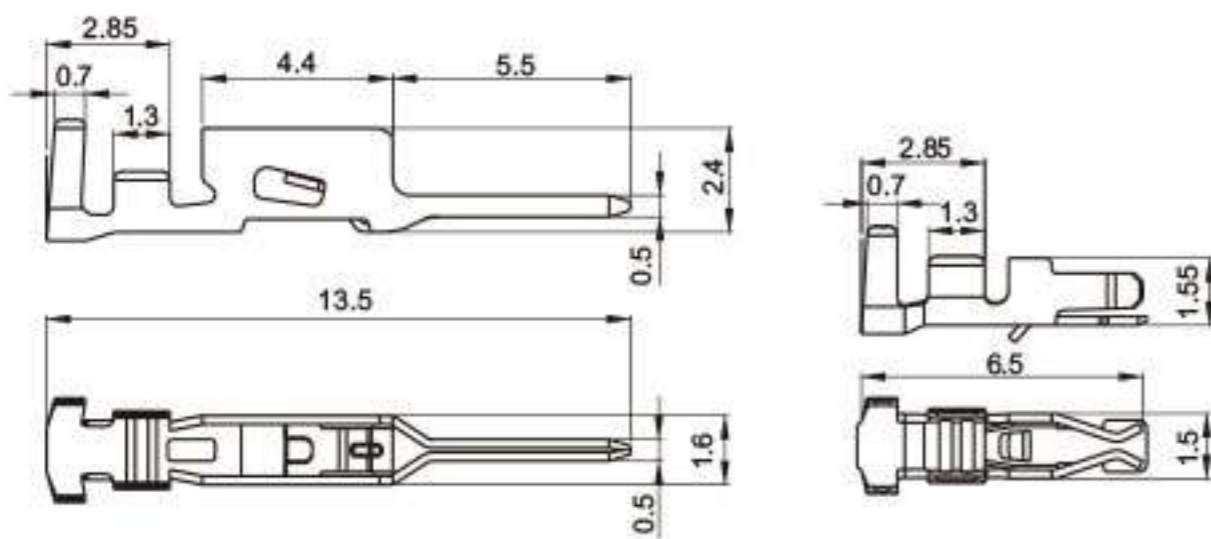
- 线数 Number of positions: 2~10
- 适用线规 Applicable wires: 28~22AWG
- 温度范围 Temperature range: -40°C~105°C
(including temperature rise in applying electrical current)
- 额定电压 Voltage rating: 100V AC, DC Max.
- 额定电流 Current rating: 2A (22WAG)
- 接触电阻 Contact resistance: ≤ 10mΩ
- 绝缘电阻 Insulation resistance: ≥ 500MΩ
- 耐压 Withstanding voltage: 800V AC/minute

*Compliant with RoHS.

C20003-01RT (SPNI-001T-P0.5)

C20003-01PT (SPND-001T-P0.5)

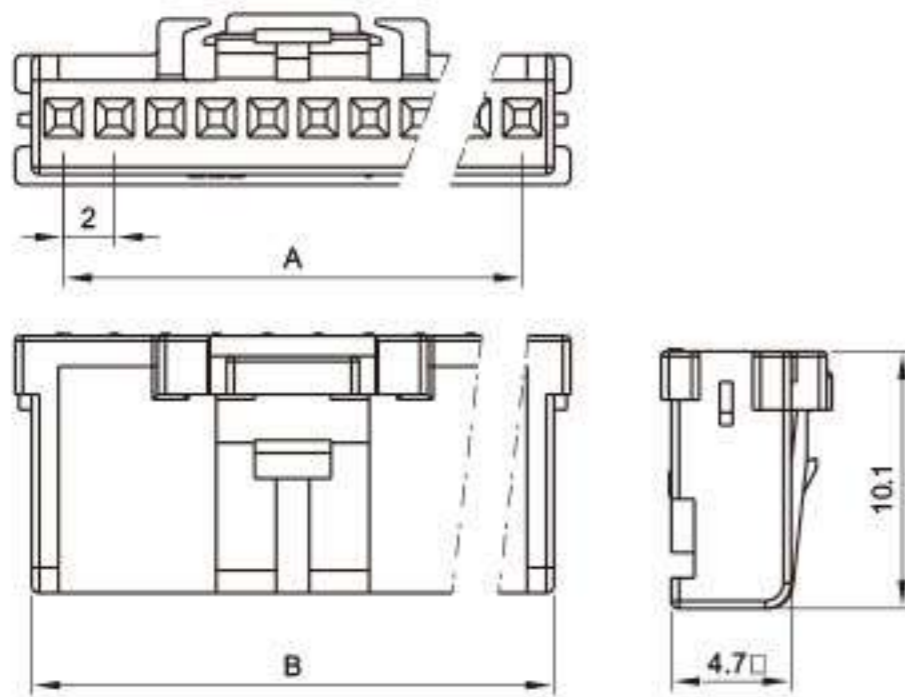
端子 TERMINAL



型号 Part No.	材质 Material	料厚 Thickness	线规 Applicable wires		电线外径 Wire insulation O.D. mm	镀层 Plating	包装数量 Q'ty/reel
			AWG#	线径 mm ²			
C20003-01RT	Phosphorbronze	0.2	26-22	0.13-0.33	1.3-1.7	Tin Plated	8K
C20003-00RT	Phosphorbronze	0.2	28-24	0.08-0.2	1.0-1.3	Tin Plated	8K
C20003-01PT	Phosphorbronze	0.2	26-22	0.13-0.33	1.3-1.7	Tin Plated	8K
C20003-00PT	Phosphorbronze	0.2	28-24	0.08-0.2	1.0-1.3	Tin Plated	8K

C20003-ANP (PNIRP-NV)

公端塑件 PLUG HOUSING

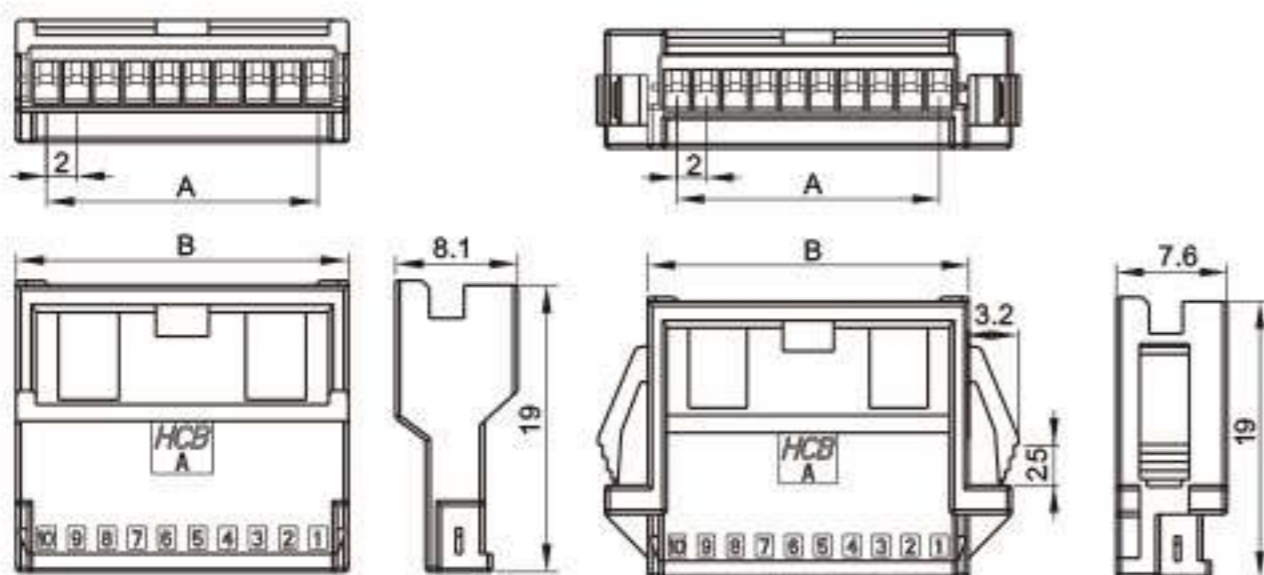


型号 Part No.	材质 Material	包装数量 Q'ty/bag	尺寸 Dimensions(mm)	
			A	B
C20003-A02P	PA66	1K	2.0	4.4
C20003-A03P		1K	4.0	6.4
C25005-A04P		1K	6.0	8.4
C25005-A05P		1K	8.0	10.4
C25005-A06P		1K	10.0	12.4
C25005-A08P		1K	14.0	16.4
C25005-A10P		1K	18.0	20.4

C20003-ANRF (PNIRP-NVF)

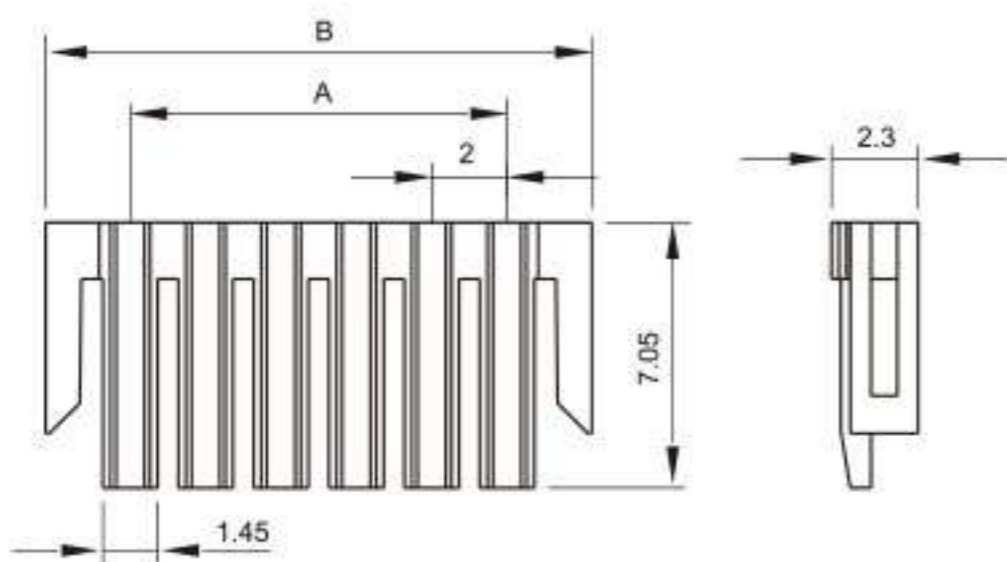
C20003-ANR (PNIRP-NV)

母端塑件 RECEPTACLE



型号 Part No.	材质 Material	包装数量 Q'ty/bag	尺寸 Dimensions(mm)		
			A	B	
C20003-A02RF	C20003-A02R	PA66	1K	2.0	6.0
C20003-A03RF	C20003-A03R		1K	4.0	8.0
C20003-A04RF	C20003-A04R		1K	6.0	10.0
C20003-A05RF	C20003-A05R		1K	8.0	12.0
C20003-A06RF	C20003-A06R		1K	10.0	14.0
C20003-A08RF	C20003-A08R		1K	14.0	18.0
C20003-A10RF	C20003-A10R		1K	18.0	22.0

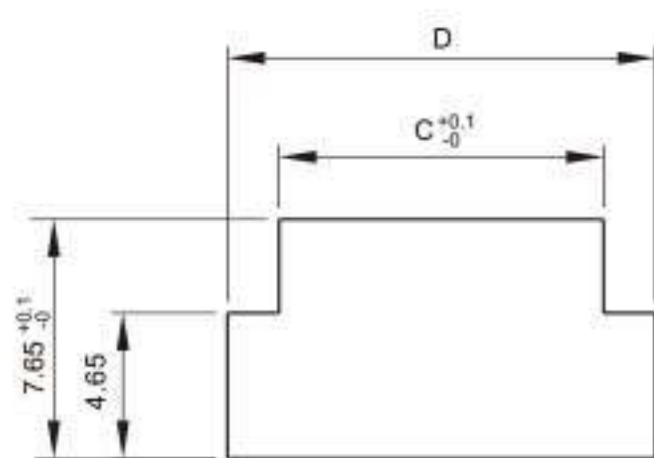
C20003-ANS(PNIS-NV)



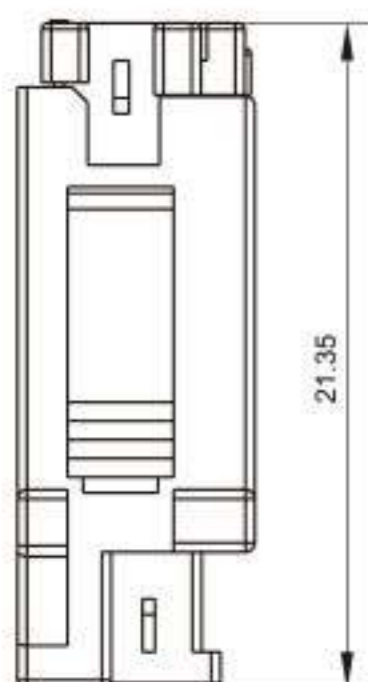
锁片 TPA

型号 Part No.	材质 Material	包装数量 Q'ty/bag	尺寸 Dimensions(mm)	
			A	B
C20002-A02S	PA66	2K	2.0	6.5
C20002-A03S		2K	4.0	8.5
C20002-A04S		2K	6.0	10.5
C20002-A05S		2K	8.0	12.5
C20002-A06S		2K	10.0	14.5
C20002-A08S		2K	14.0	18.5
C20002-A10S		2K	18.0	22.5

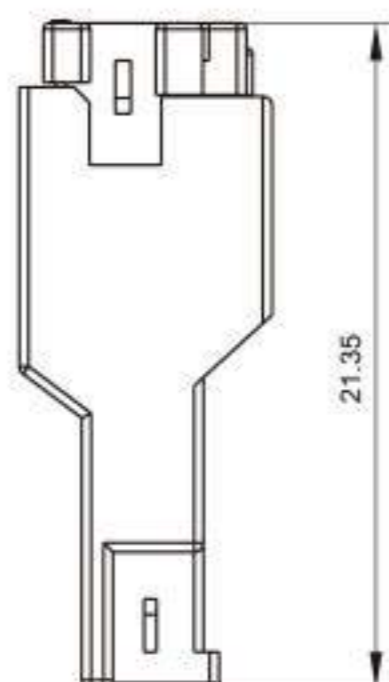
安装示意图



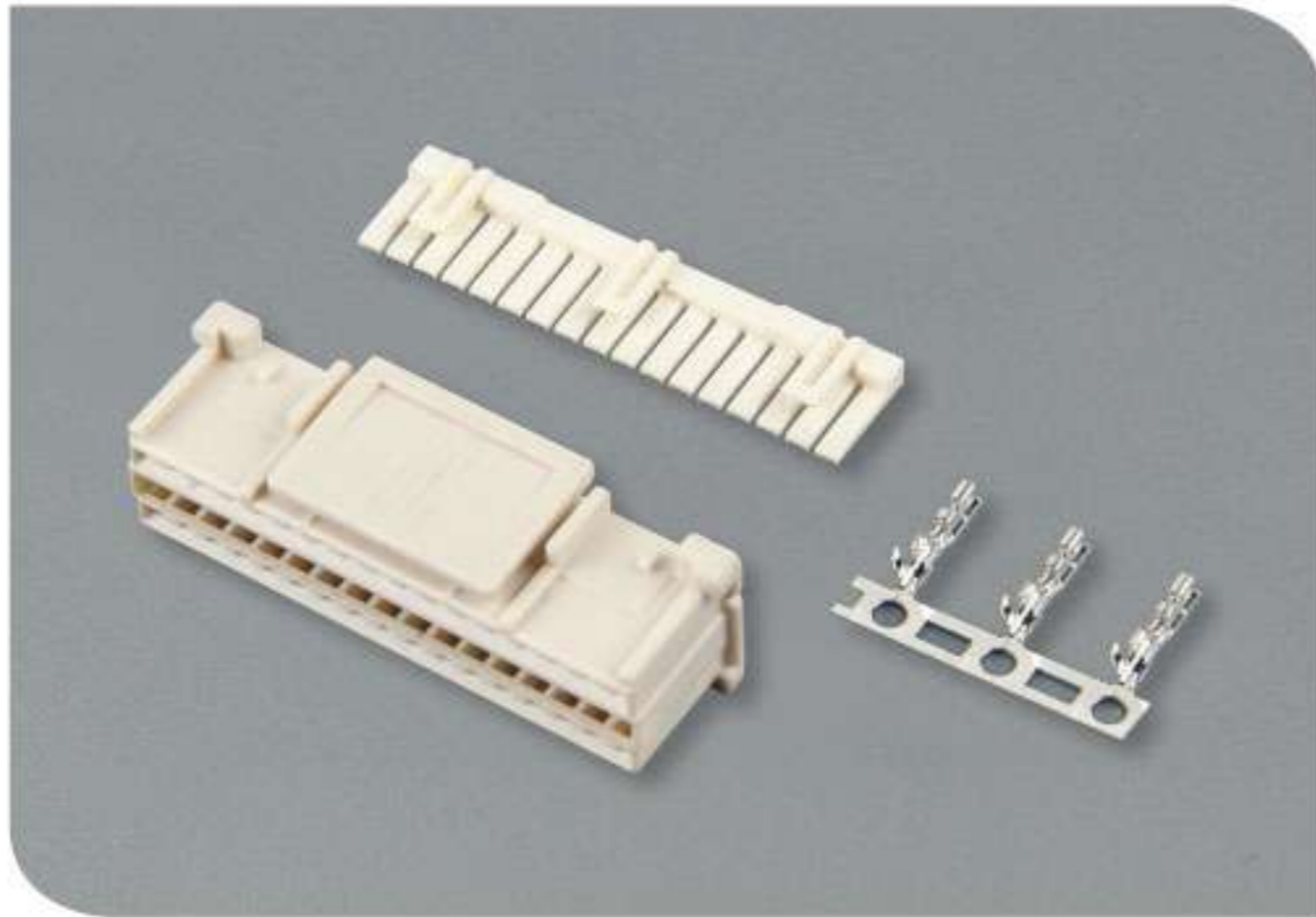
C20000-ANR(PNIRP-NV)



PNIRR-NV+PNIRP-NV



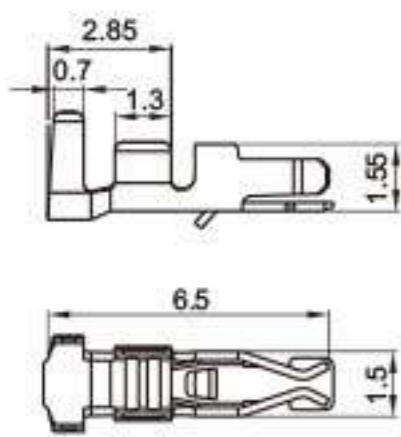
PNIRR-NV+PNIRP-NV



■ 技术参数 SPECIFICATIONS

- 线数 Number of positions: 34
 - 适用线规 Applicable wires: 28~22AWG
 - 温度范围 Temperature range: -40°C~105°C
(including temperature rise in applying electrical current)
 - 额定电压 Voltage rating: 100V AC, DC Max.
 - 额定电流 Current rating: 2A (22WAG)
 - 接触电阻 Contact resistance: ≤ 20mΩ
 - 绝缘电阻 Insulation resistance: ≥ 1000MΩ
 - 耐压 Withstanding voltage: 800V AC/minute
- *Compliant with RoHS.

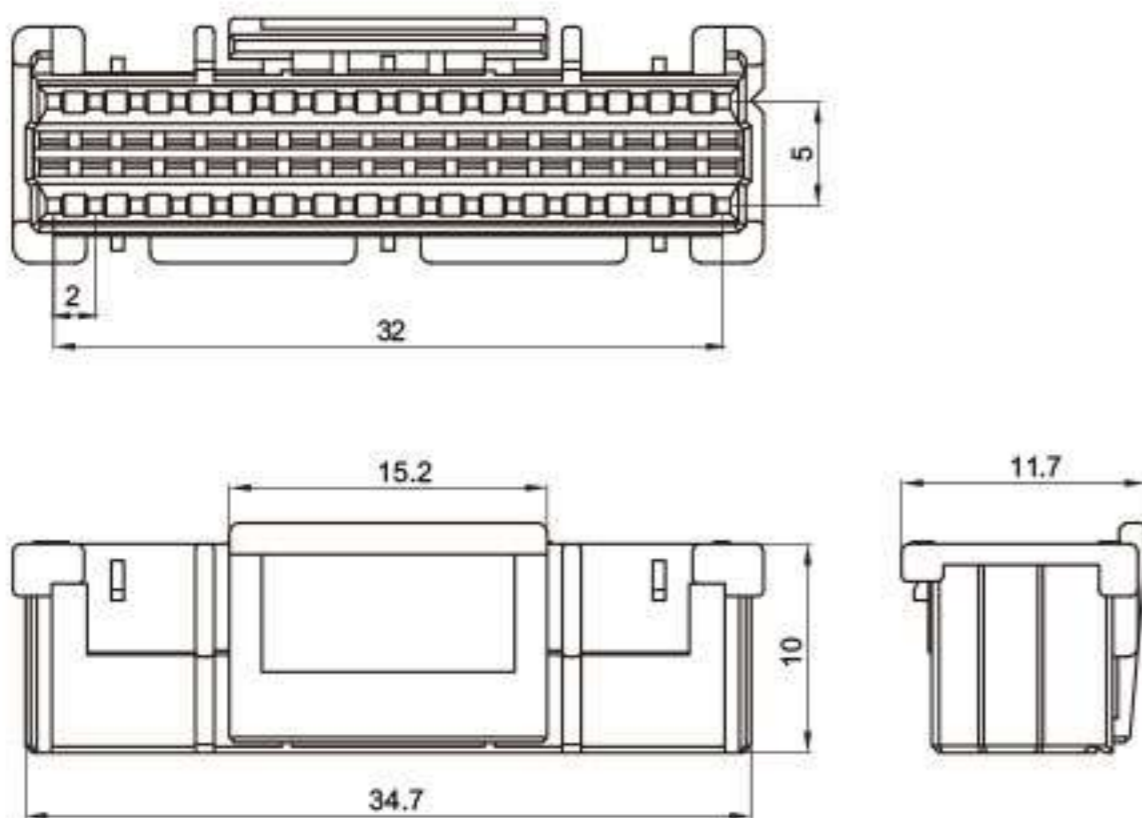
C20004-01PT (SPND-001T-P0.5)



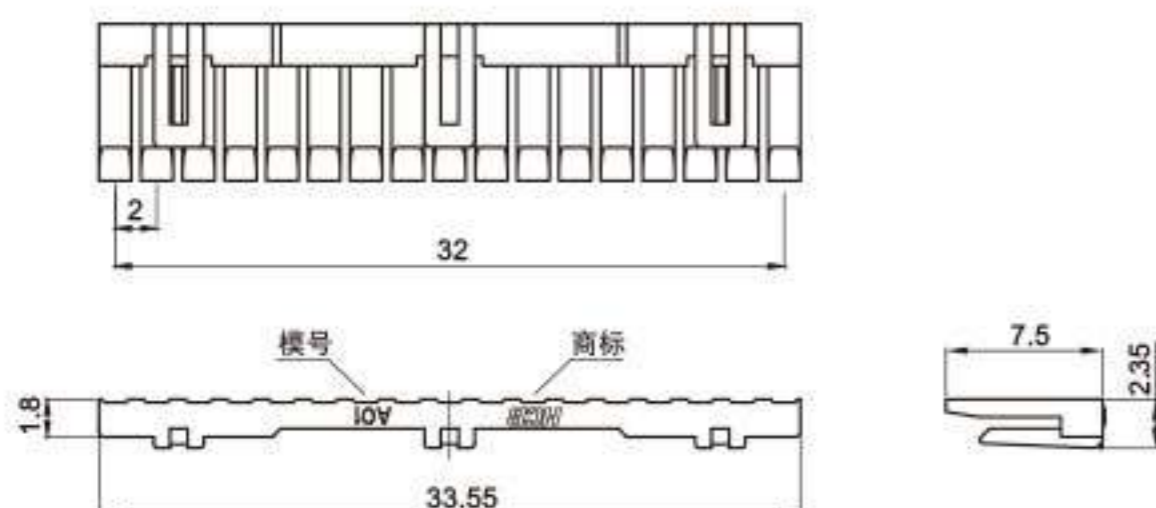
端子 TERMINAL

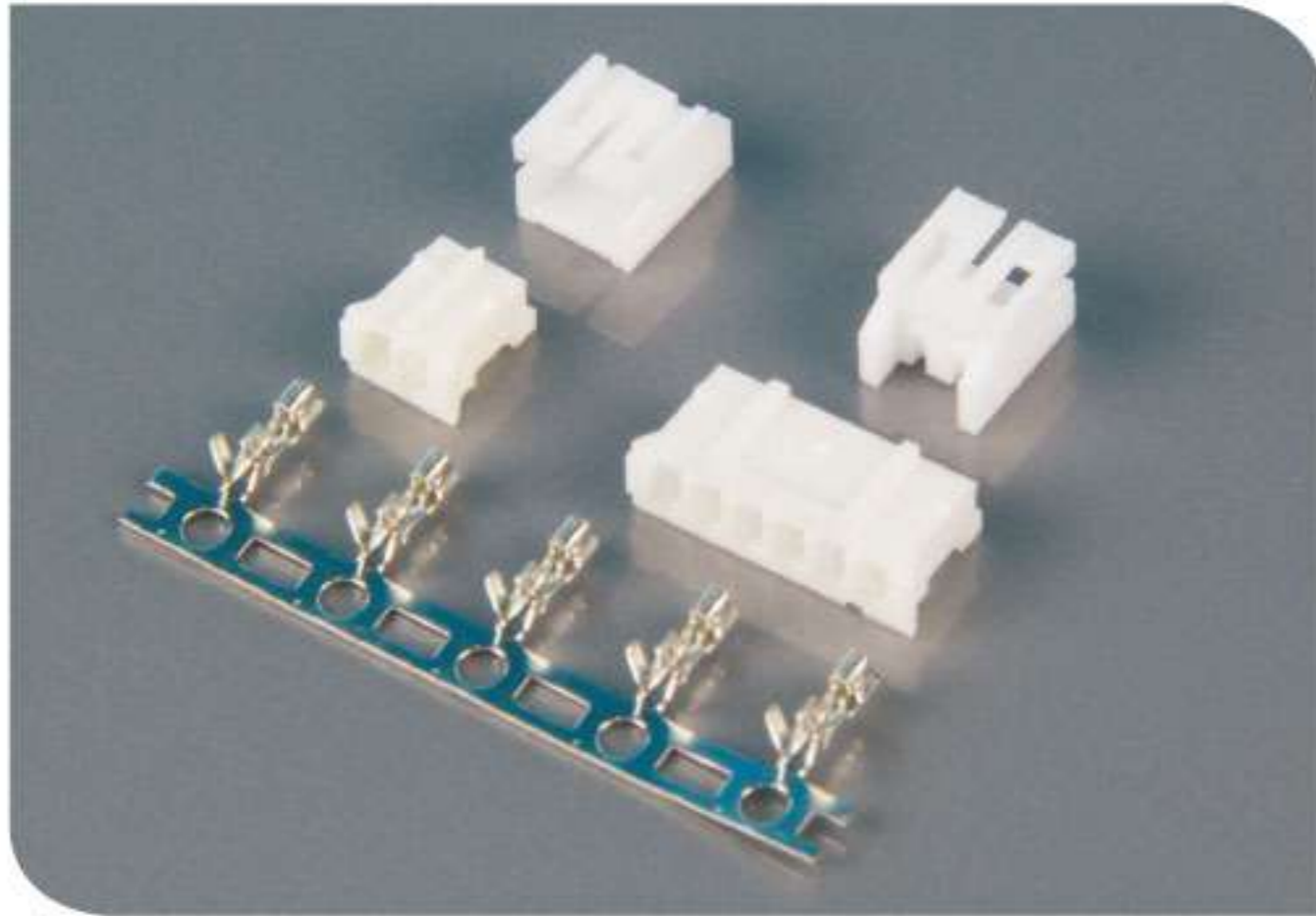
型号 Part No.	材质 Material	料厚 Thickness	线规 Applicable wires		电线外径 Wire insulation O.D. mm	镀层 Plating	包装数量 Q'ty/reel
			AWG#	线径 mm ²			
C20004-01RT	Phosphor bronze	0.2	26-22	0.13-0.33	1.3-1.7	Tin Plated	8K
C20004-00RT	Phosphor bronze	0.2	28-24	0.08-0.2	1.0-1.3	Tin Plated	8K
C20004-01PT	Phosphor bronze	0.2	26-22	0.13-0.33	1.3-1.7	Tin Plated	8K
C20004-00PT	Phosphor bronze	0.2	28-24	0.08-0.2	1.0-1.3	Tin Plated	8K

C20004-A34P (PNDP-34V-2)



C20004-A34S (PNDS-34V-2)



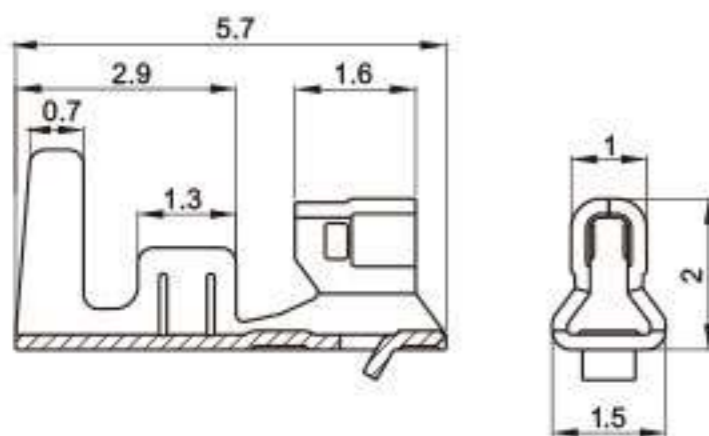


■ 技术参数 SPECIFICATIONS

- 线数 Number of positions: 2~10
- 适用线规 Applicable wires: 28~24AWG
- 温度范围 Temperature range: -40°C~105°C
(including temperature rise in applying electrical current)
- 额定电压 Voltage rating: 100V AC, DC Max.
- 额定电流 Current rating: 2A (24AWG)
- 接触电阻 Contact resistance: ≤ 10mΩ
- 绝缘电阻 Insulation resistance: ≥ 500MΩ
- 耐压 Withstanding voltage: 800V AC/minute

*Compliant with RoHS.

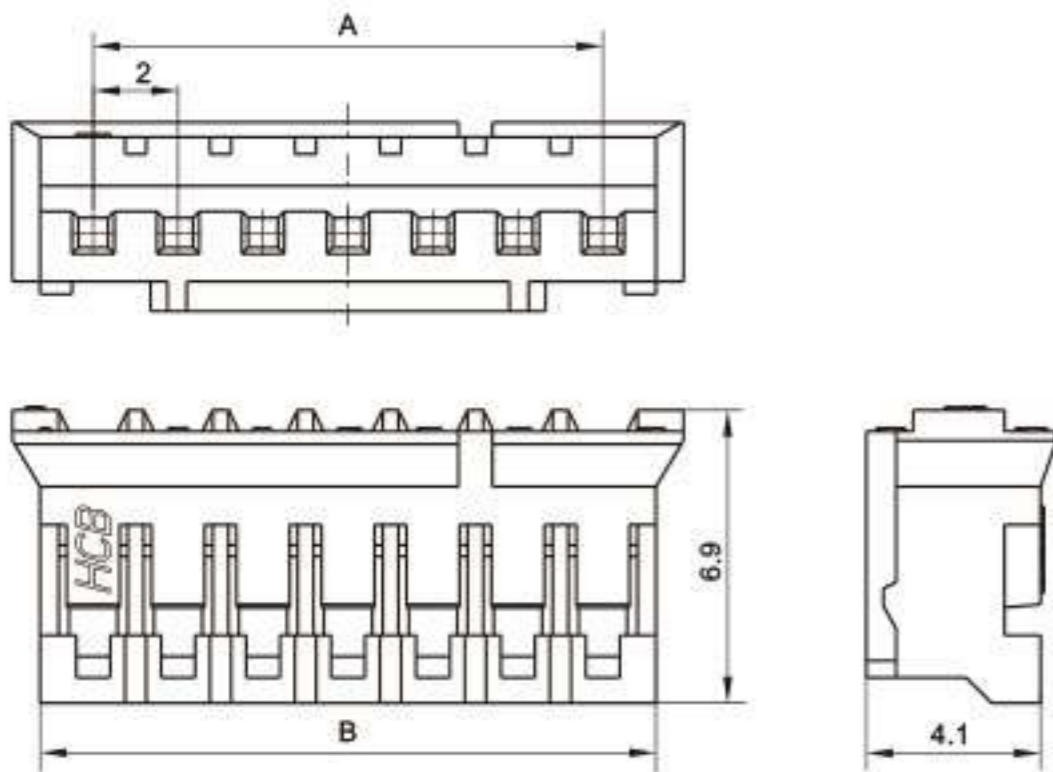
C20006-01PT (PH-PT)



端子 TERMINAL

型号 Part No.	材质 Material	料厚 Thickness	线规 Applicable wires		电线外径 Wire insulation O.D. mm	镀层 Plating	包装数量 Q'ty/reel
			AWG#	线径 mm ²			
C20006-01PT	Phosphor bronze	0.2	28-24	0.08-0.22	1.0-1.3	Tin Plated	8K

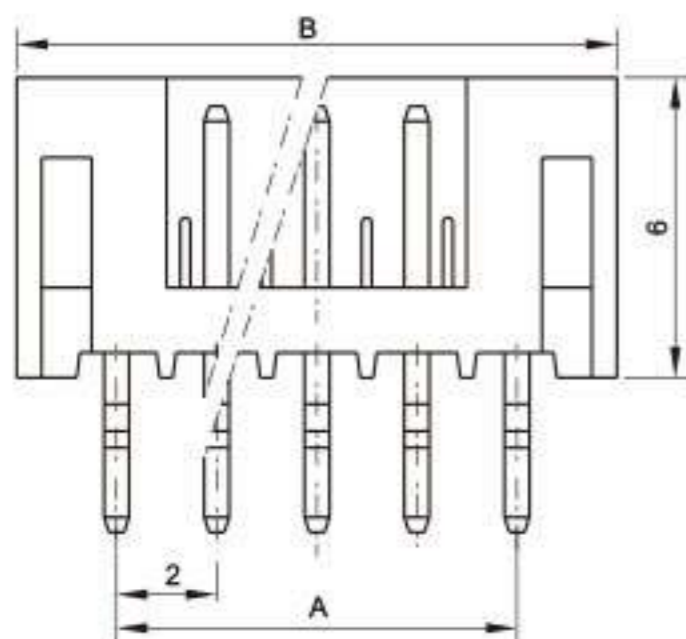
C20006-ANP (PH-NY)



公端塑件 PLUG HOUSING

型号 Part No.	材质 Material	包装数量 Q'ty/bag	尺寸 Dimensions(mm)	
			A	B
C20006-A02P	PA66	2K	2.0	4.5
C20006-A03P		2K	4.0	6.5
C20006-A04P		2K	6.0	8.5
C20006-A05P		2K	8.0	10.5
C20006-A06P		2K	10.0	12.5
C20006-A07P		2K	12.0	14.5
C20006-A08P		2K	14.0	16.5
C20006-A09P		2K	16.0	18.5

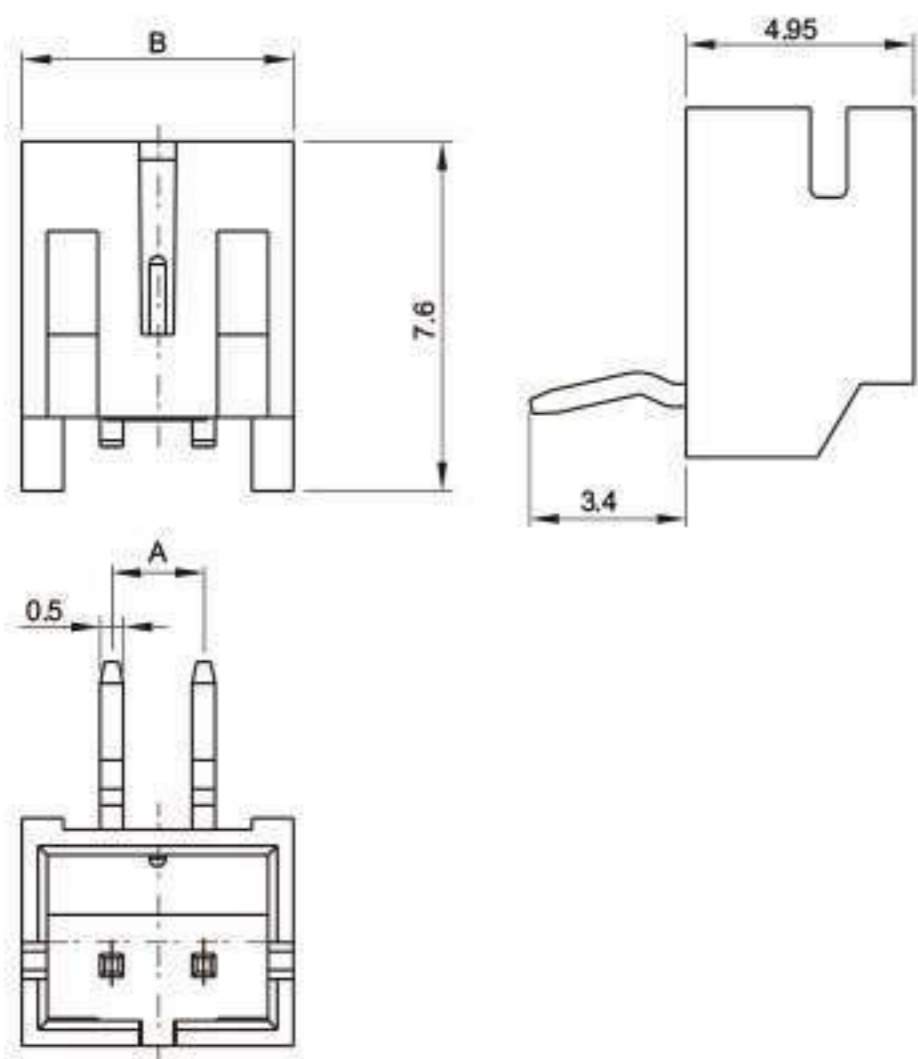
C20006-ANA (S02B-PH)



针座 WAFER

型号 Part No.	材质 Material	包装数量 Q'ty/bag	尺寸 Dimensions(mm)	
			A	B
C20006-A02A		1K	2.0	6.0
C20006-A03A		1K	4.0	8.0
C20006-A04A		1K	6.0	10.0
C20006-A05A		1K	8.0	12.0
C20006-A06A		1K	10.0	14.0
C20006-A07A		1K	12.0	16.0
C20006-A08A		1K	14.0	18.0
C20006-A09A		1K	16.0	20.0
C20006-A10A		1K	18.0	22.0

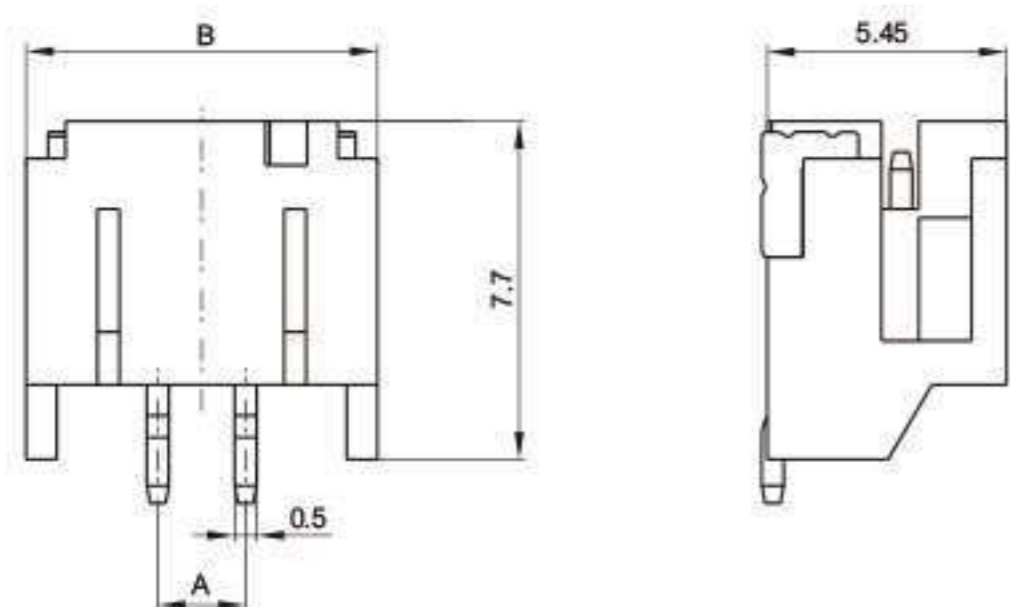
C20006-ANAW (SNB-PH-K-W)



针座 WAFER

型号 Part No.	材质 Material	包装数量 Q'ty/bag	尺寸 Dimensions(mm)	
			A	B
C20006-A02AW	PA66	1K	2.0	6.0

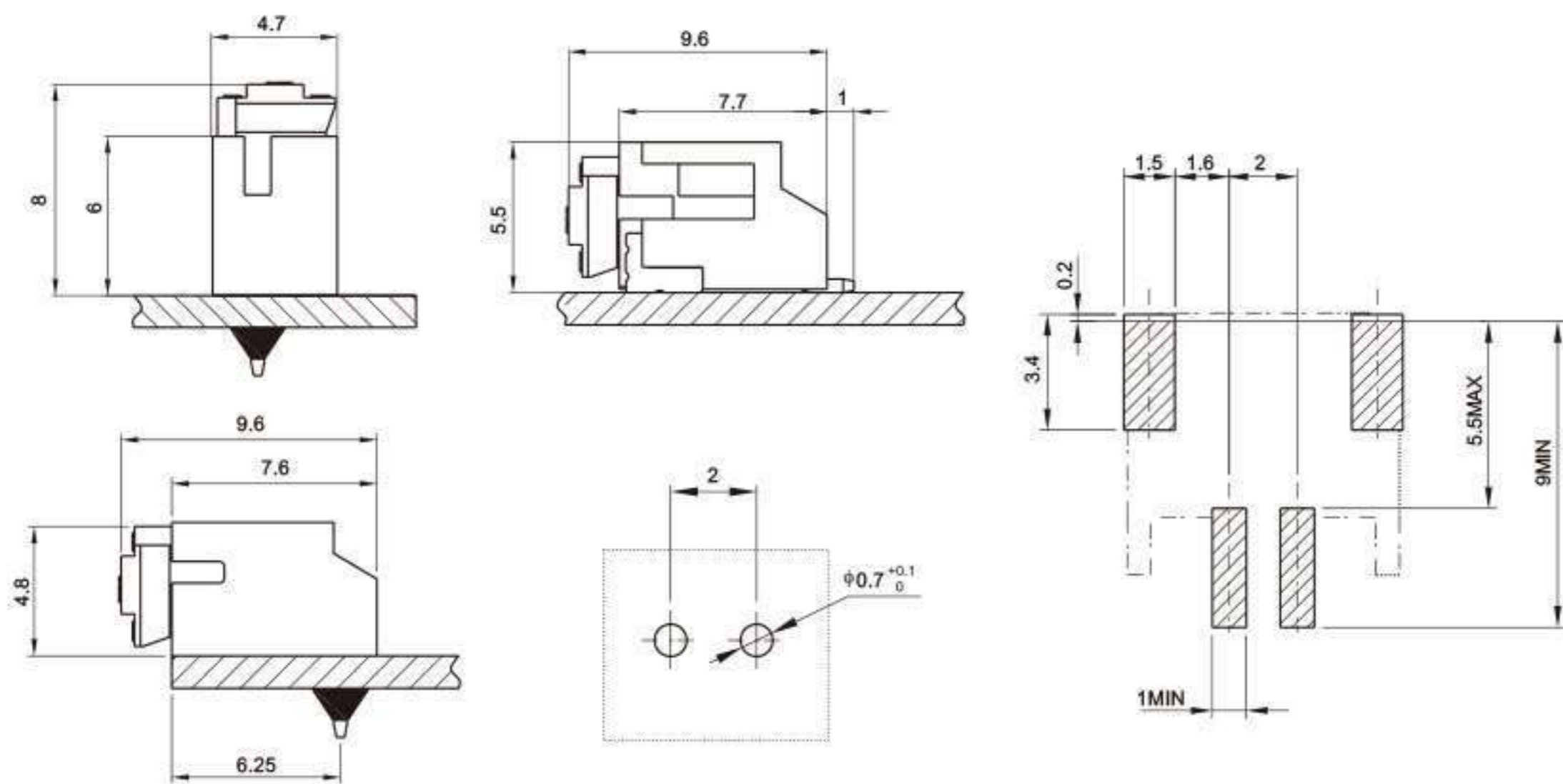
C20006-ANAWB (SNB-PH-SW)

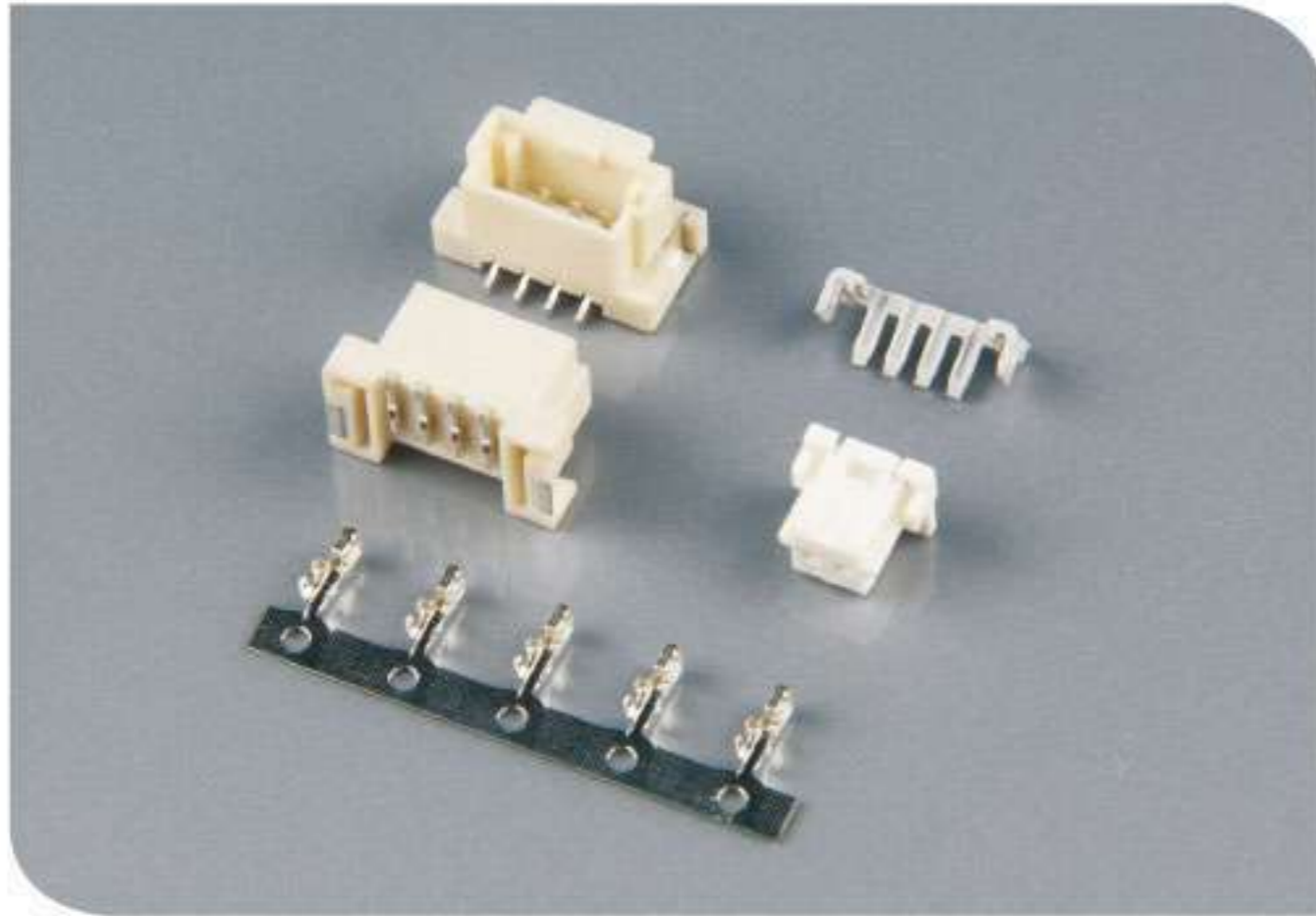


针座 WAFER

型号 Part No.	材质 Material	包装数量 Q'ty/bag	尺寸 Dimensions(mm)	
			A	B
C20006-A02AWB	PA 高温	1.3K	2.0	8.0

安装示意图



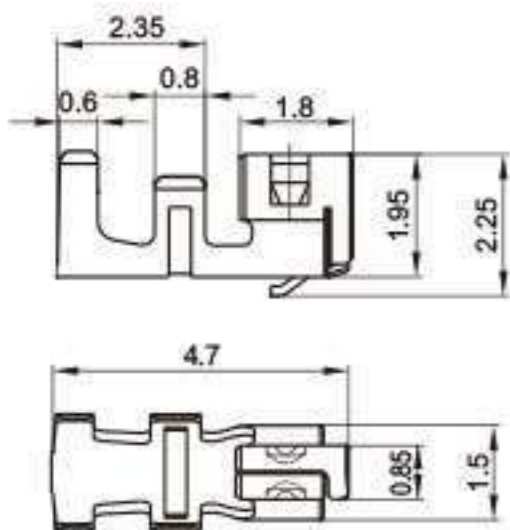


■ 技术参数 SPECIFICATIONS

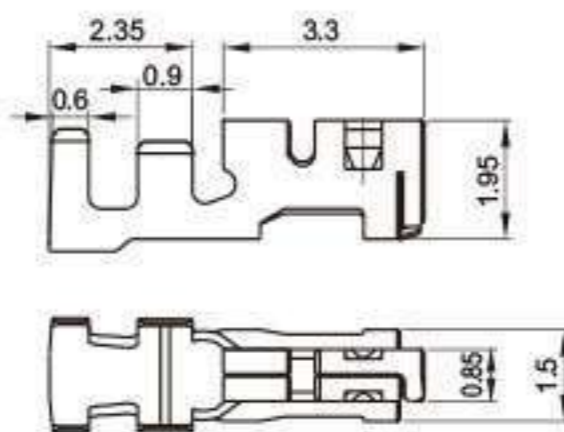
- 线数 Number of positions: 2~12
- 适用线规 Applicable wires: 26~22AWG
- 温度范围 Temperature range: -40°C~105°C
(including temperature rise in applying electrical current)
- 额定电压 Voltage rating: 125V AC, DC Max.
- 额定电流 Current rating: 2A AC, DC Max.
- 接触电阻 Contact resistance: $\leq 10\text{m}\Omega$
- 绝缘电阻 Insulation resistance: $\geq 500\text{M}\Omega$
- 耐压 Withstanding voltage: 800V AC/minute

*Compliant with RoHS.

C20007-01PT(560085)



C20007-11PT(505152-8000)



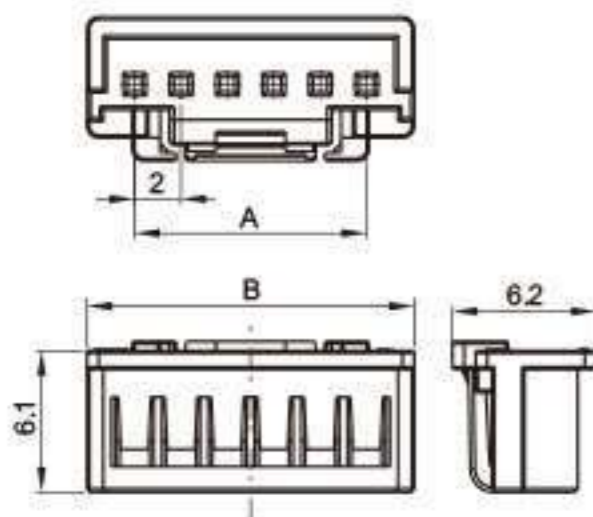
端子 TERMINAL

型号 Part No.	材质 Material	料厚 Thickness	线规 Applicable wires		电线外径 Wire insulation O.D. mm	镀层 Plating	包装数量 Q'ty/reel
			AWG#	线径 mm ²			
C20007-01PT	Phosphor bronze	0.2	26-22	0.13-0.33	1.3-1.7	Tin Plated	10K
C20007-11PT	Phosphor bronze	0.2	26-22	0.13-0.33	1.3-1.7	Tin Plated	10K

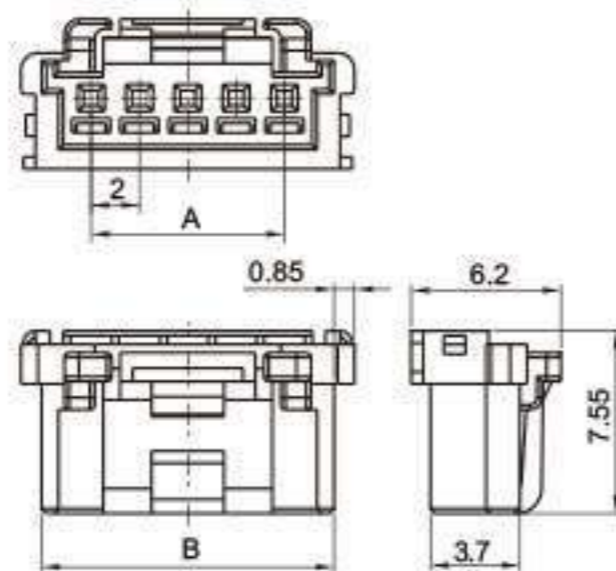
公端塑件 PLUG HOUSING

型号 Part No.	材质 Material	包装数量 Q'ty/bag	尺寸 Dimensions(mm)	
			A	B
C20007-A02P	PBT	2K	2.0	8.0
C20007-A03P		2K	4.0	8.1
C20007-A04P		2K	6.0	10.1
C20007-A05P		2K	8.0	12.1
C20007-A06P		2K	10.0	14.1
C20007-A07P		2K	12.0	16.1
C20007-A08P		2K	14.0	18.1
C20007-A09P		2K	16.0	20.1
C20007-A12P		2K	22.0	26.1
C20007-B04P		PA66	2K	6.0
C20007-B05P	2K		8.0	12.1

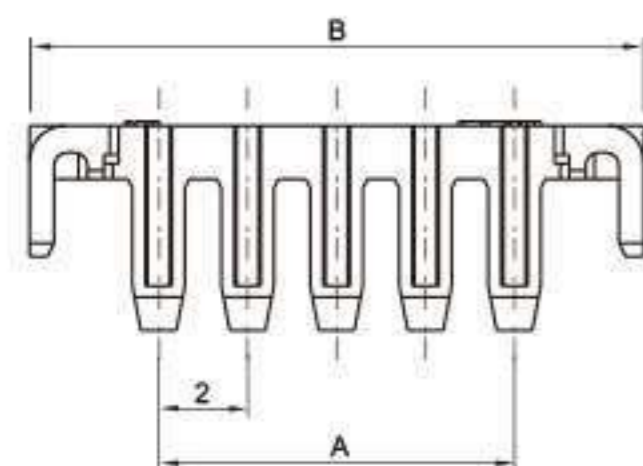
C20007-ANP(502351-0N00)



C20007-BNP(505151-NP)



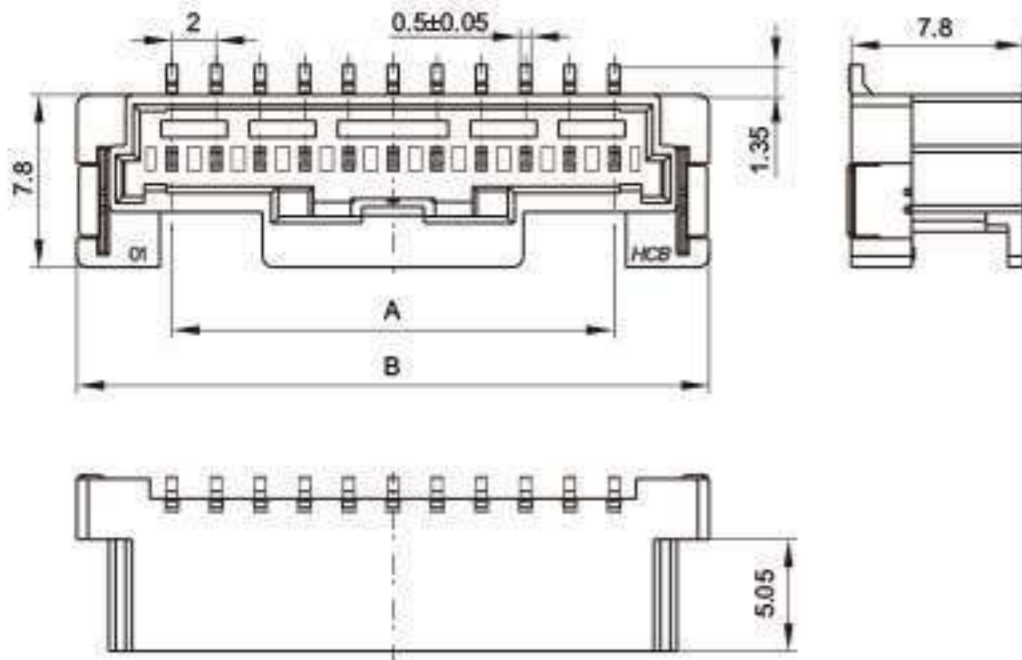
C20007-BNS(505152-0N00)



锁片 TPA

型号 Part No.	材质 Material	包装数量 Q'ty/bag	尺寸 Dimensions(mm)	
			A	B
C20007-B02S	PBT/PA66	2K	2.0	7.8
C20007-B04S		2K	6.0	11.8
C20007-B05S		2K	8.0	13.8

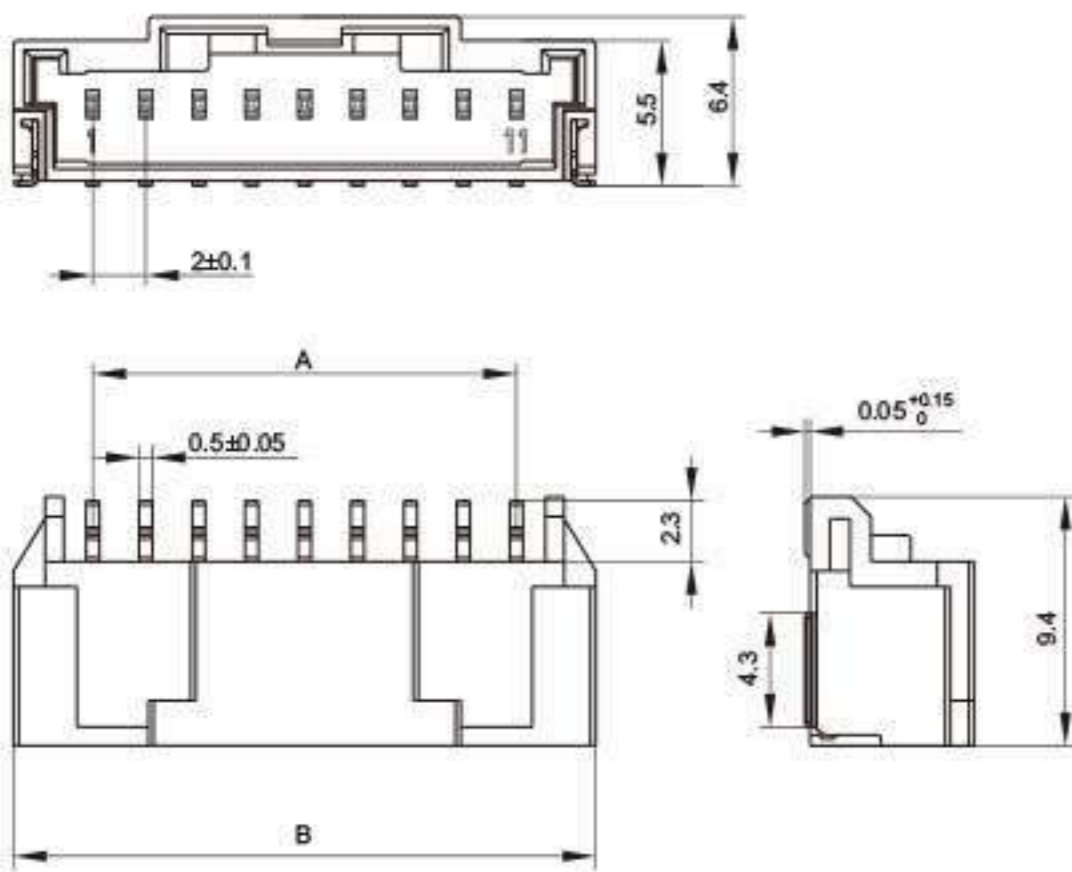
C20007-ANAB(560020-N**)



针座 WAFER

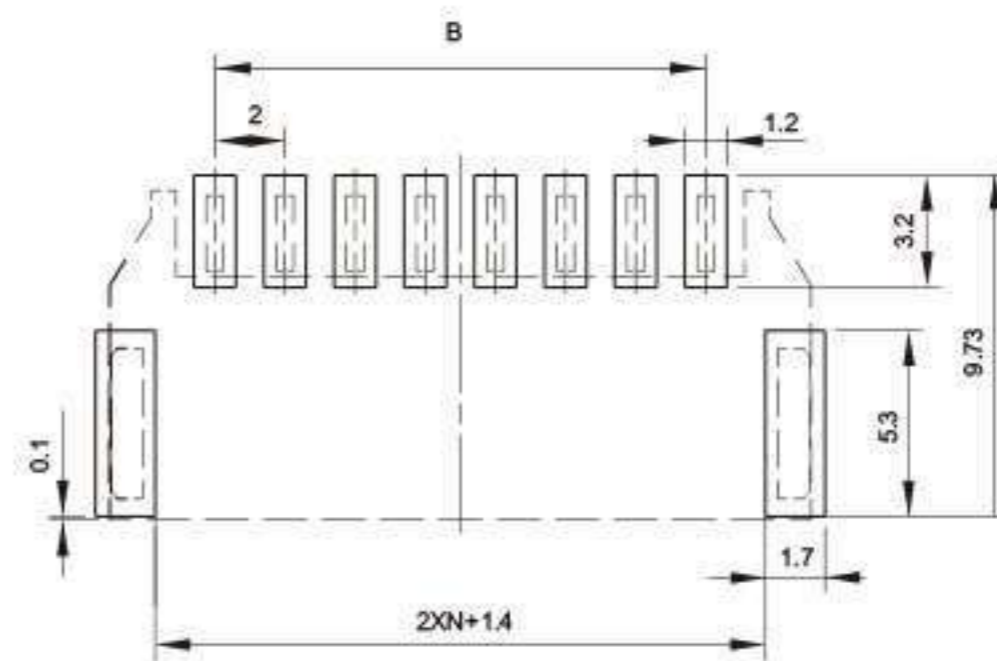
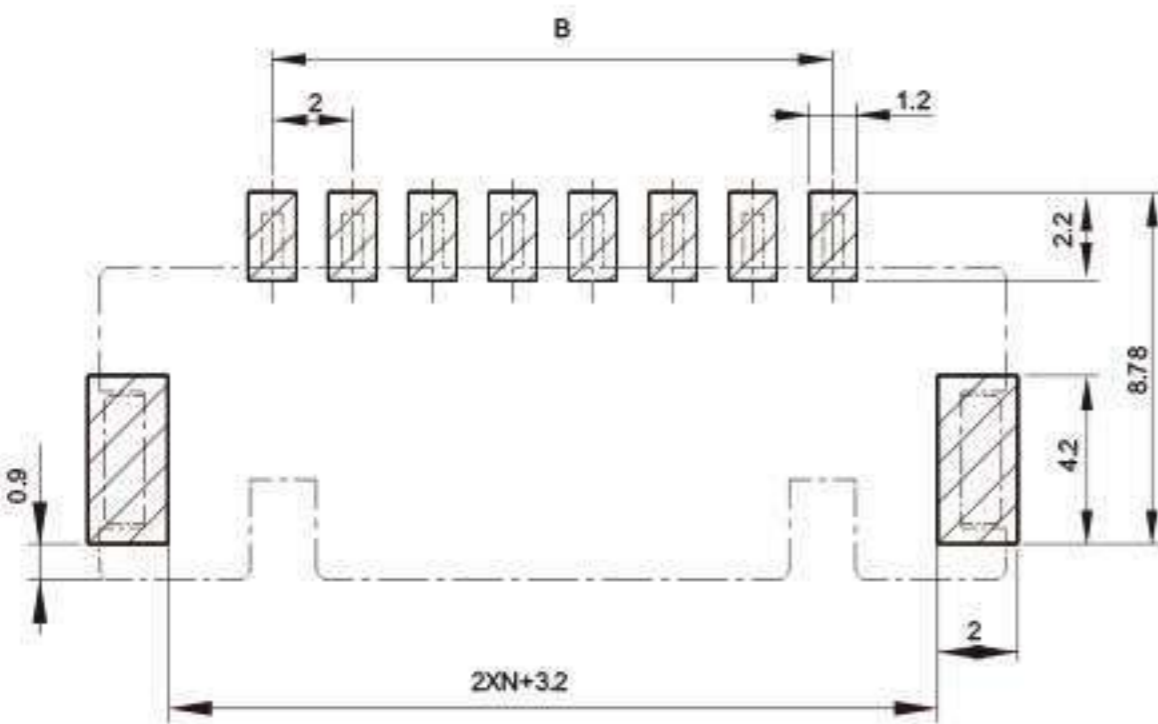
型号 Part No.	材质 Material	包装数量 Q'ty/bag	尺寸 Dimensions(mm)	
			A	B
C20007-A02AB	PA 高温	0.6K	2.0	10.9
C20007-A03AB		0.6K	4.0	12.6
C20007-A04AB		0.6K	6.0	14.6
C20007-A05AB		0.6K	8.0	16.6
C20007-A06AB		0.6K	10.0	18.6
C20007-A07AB		0.6K	12.0	20.6
C20007-A08AB		0.6K	14.0	22.6
C20007-A09AB		0.6K	16.0	24.6
C20007-A10AB		0.6K	18.0	26.6
C20007-A11AB		0.6K	20.0	28.6
C20007-A12AB		0.6K	22.0	30.6

C20007-ANAWB(502352-N**)



针座 WAFER

型号 Part No.	材质 Material	包装数量 Q'ty/bag	尺寸 Dimensions(mm)	
			A	B
C20007-A02AWB	PA 高温	0.7K	2.0	8.0
C20007-A03AWB		0.7K	4.0	10.0
C20007-A04AWB		0.7K	6.0	12.0
C20007-A05AWB		0.7K	8.0	14.0
C20007-A06AWB		0.7K	10.0	16.0
C20007-A07AWB		0.7K	12.0	18.0
C20007-A08AWB		0.7K	14.0	20.0
C20007-A09AWB		0.7K	16.0	22.0
C20007-A10AWB		0.7K	18.0	24.0
C20007-A11AWB		0.7K	20.0	26.0
C20007-A12AWB		0.7K	22.0	28.0

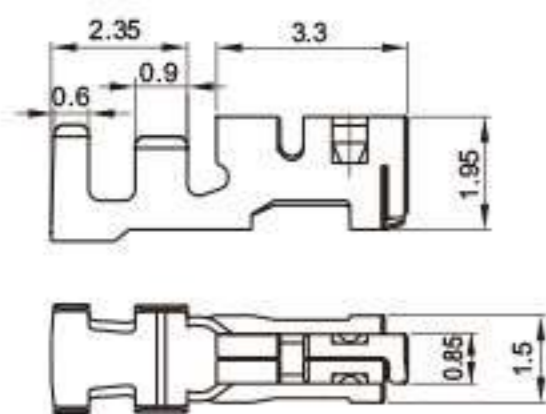




■ 技术参数 SPECIFICATIONS

- 线数 Number of positions: 2
 - 适用线规 Applicable wires: 26~22AWG
 - 温度范围 Temperature range: -40°C~105°C
(including temperature rise in applying electrical current)
 - 额定电压 Voltage rating: 125V AC, DC Max.
 - 额定电流 Current rating: 2A AC, DC Max.
 - 接触电阻 Contact resistance: ≤ 10mΩ
 - 绝缘电阻 Insulation resistance: ≥ 500MΩ
 - 耐压 Withstanding voltage: 800V AC/minute
- *Compliant with RoHS.

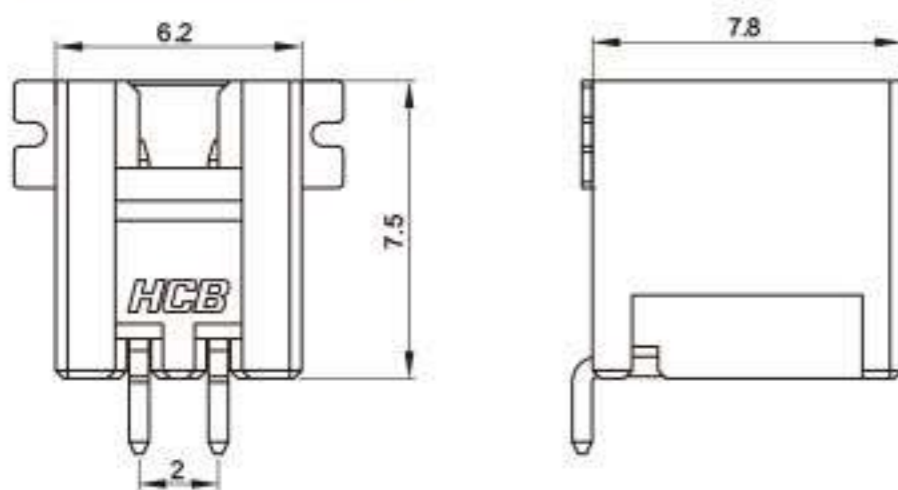
C20007-11PT(505153-8000)



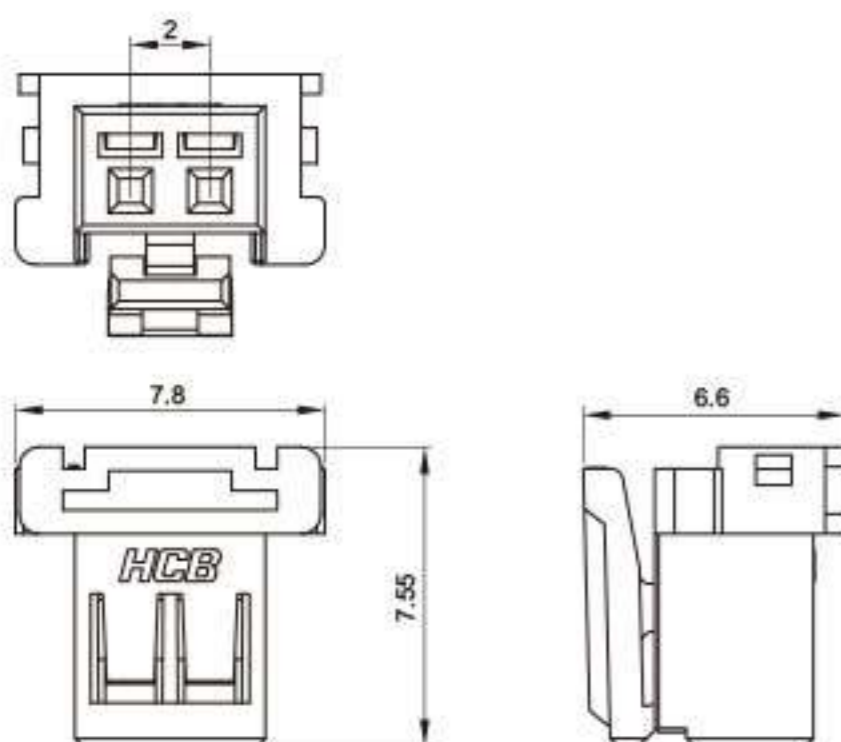
端子 TERMINAL

型号 Part No.	材质 Material	料厚 Thickness	线规 Applicable wires		电线外径 Wire insulation O.D. mm	镀层 Plating	包装数量 Q'ty/reel
			AWG#	线径 mm ²			
C20007-11PT	Phosphor bronze	0.2	26-22	0.13-0.33	1.3-1.7	Tin Plated	10K

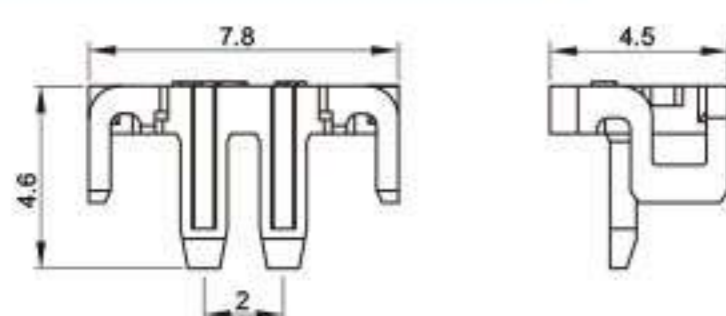
C20007-C02AWB

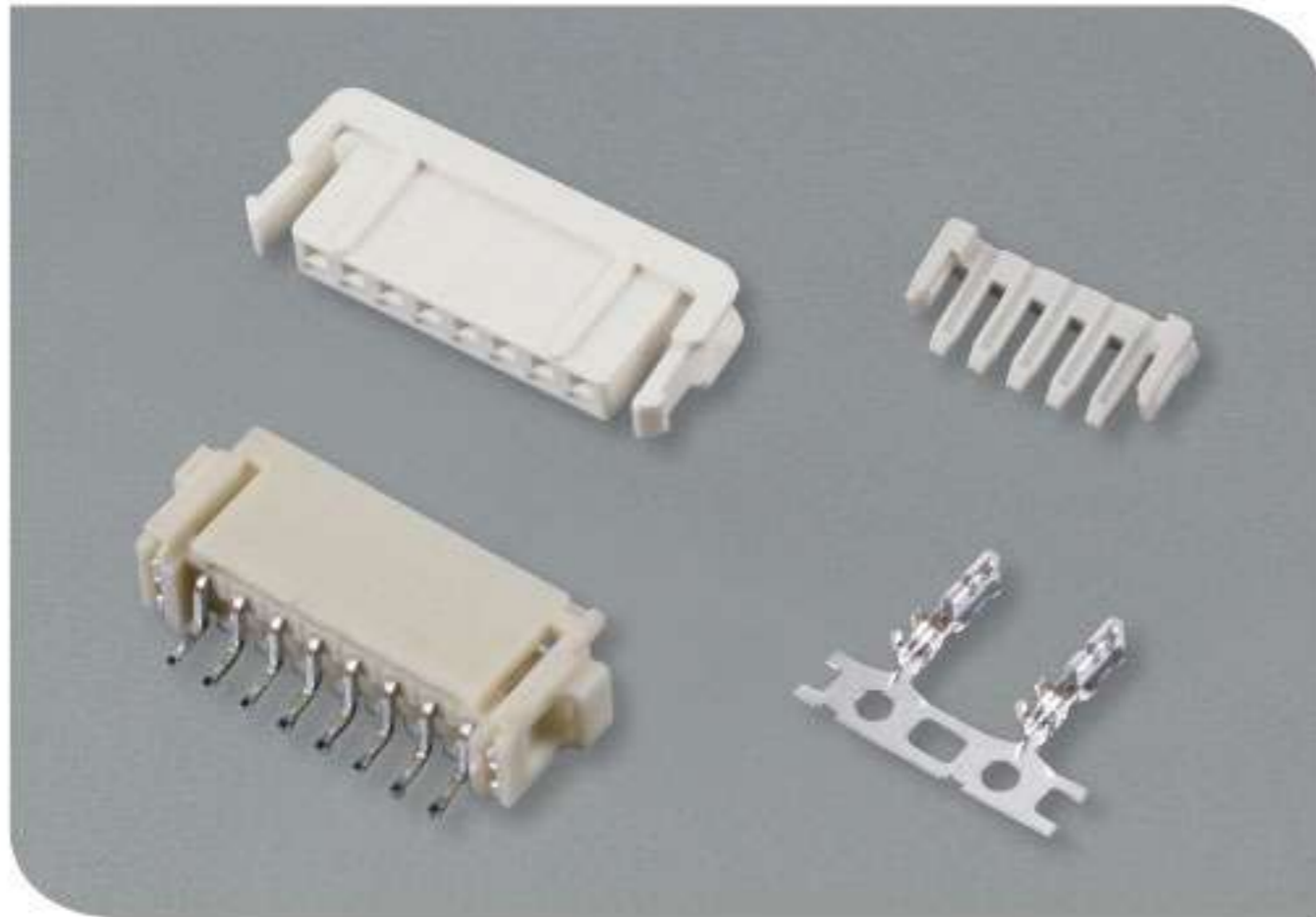


C20007-C02P



C20007-B02S(505152-0200)



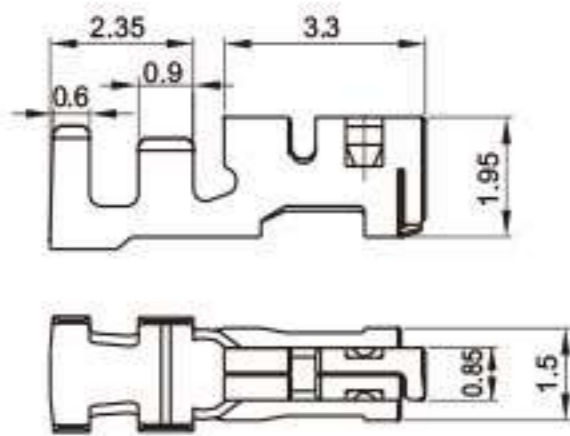


■ 技术参数 SPECIFICATIONS

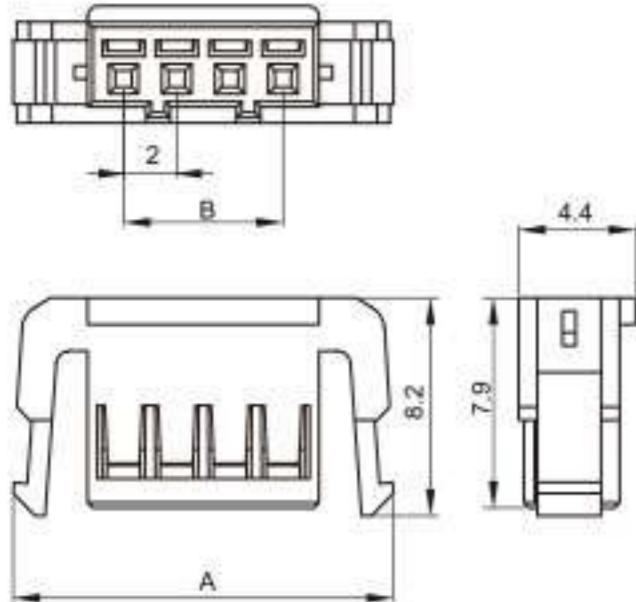
- 线数 Number of positions: 2~10
- 适用线规 Applicable wires: 26~22AWG
- 温度范围 Temperature range: -40°C~105°C
(including temperature rise in applying electrical current)
- 额定电压 Voltage rating: 125V AC, DC Max.
- 额定电流 Current rating: 2A AC, DC Max.
- 接触电阻 Contact resistance: ≤ 10mΩ
- 绝缘电阻 Insulation resistance: ≥ 500MΩ
- 耐压 Withstanding voltage: 800V AC/minute

*Compliant with RoHS.

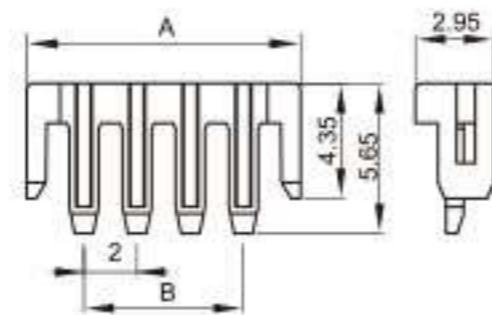
C20007-11PT(505153-8000)



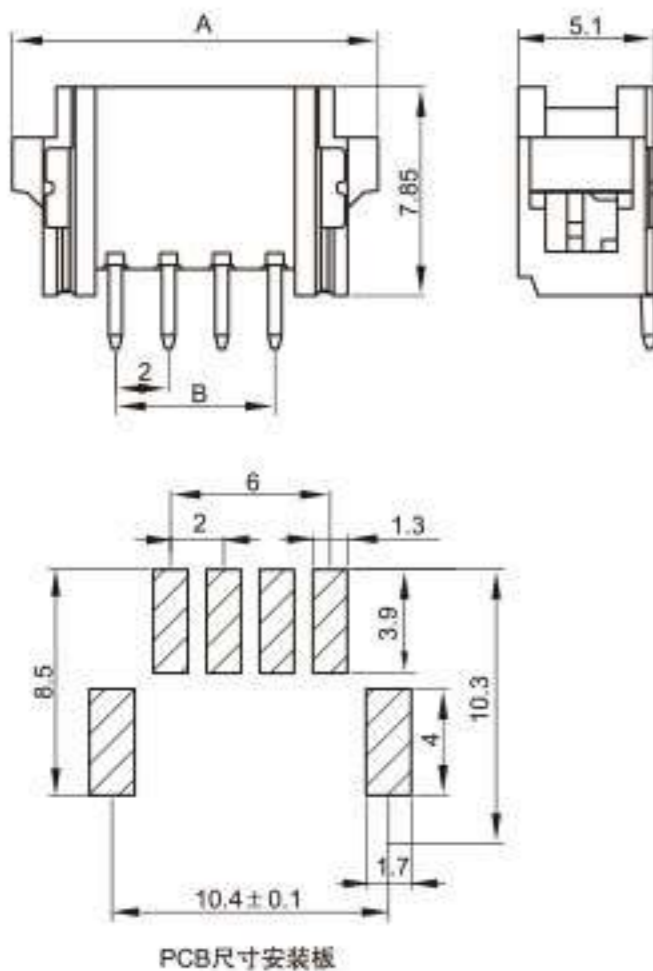
C20009-ANP



C20009-ANS



C20009-ANAWB



端子 TERMINAL

型号 Part No.	材质 Material	料厚 Thickness	线规 Applicable wires AWG# 线径 mm ²	电线外径 Wire insulation O.D. mm	镀层 Plating	包装数量 Q'ty/reel
C20007-11PT	Phosphor bronze	0.2	26-22 0.13-0.33	1.3-1.7	Tin Plated	10K

公端塑件 PLUG HOUSING

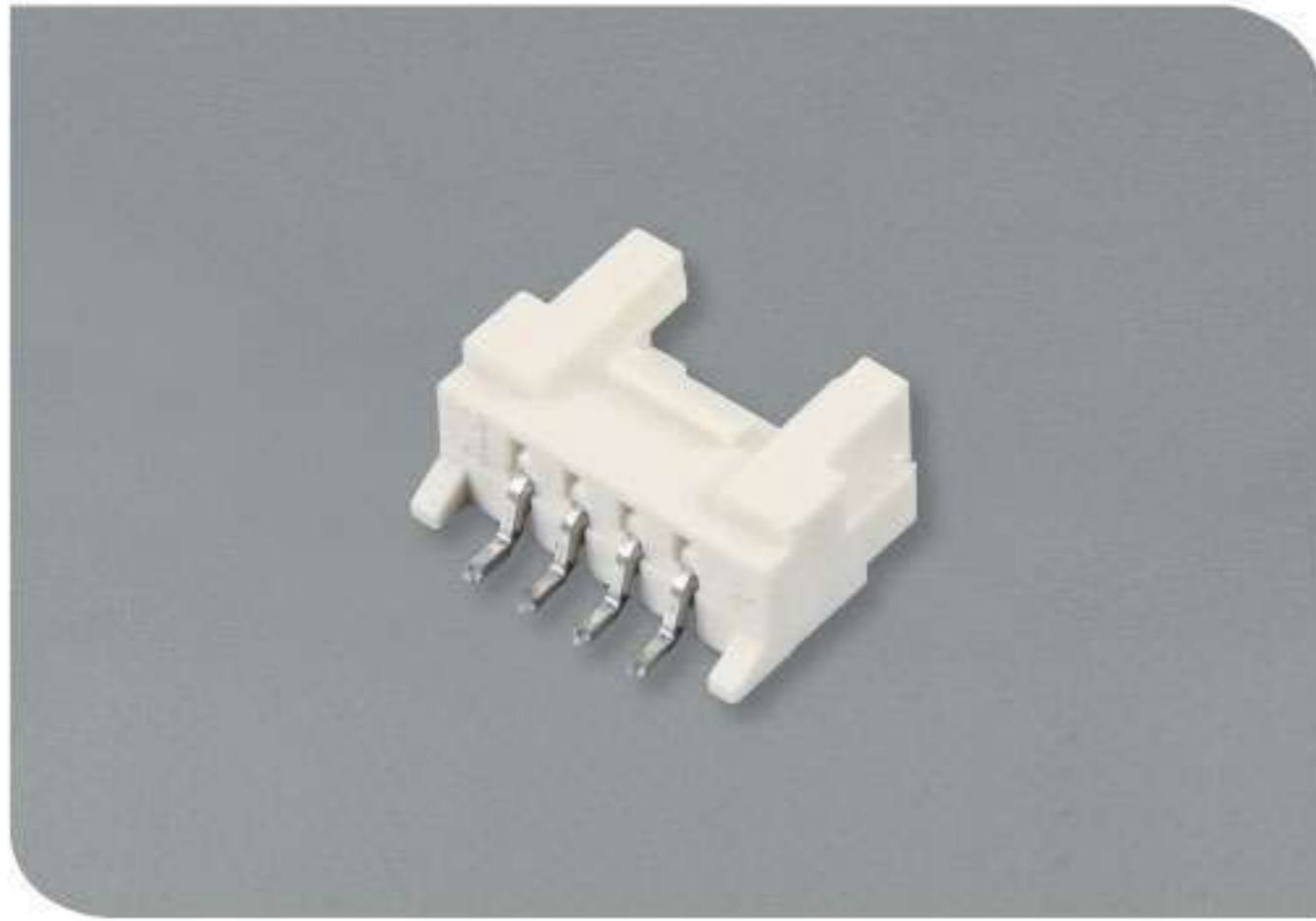
型号 Part No.	材质 Material	包装数量 Q'ty/bag	尺寸 Dimensions(mm)	
			A	B
C20009-A04P	PA66	2K	14.1	6.0
C20009-A05P		2K	16.1	8.0
C20009-A06P		2K	18.1	10.0
C20009-A07P		2K	20.1	12.0
C20009-A08P		2K	22.1	14.0
C20009-A09P		2K	24.1	16.0
C20009-A10P		2K	26.1	18.0

锁片 TPA

型号 Part No.	材质 Material	包装数量 Q'ty/bag	尺寸 Dimensions(mm)	
			A	B
C20009-A04S	PA66	2K	14.1	6.0
C20009-A05S		2K	16.1	8.0
C20009-A06S		2K	18.1	10.0
C20009-A07S		2K	20.1	12.0
C20009-A08S		2K	22.1	14.0
C20009-A09S		2K	24.1	16.0
C20009-A10S		2K	26.1	18.0

针座 WAFER

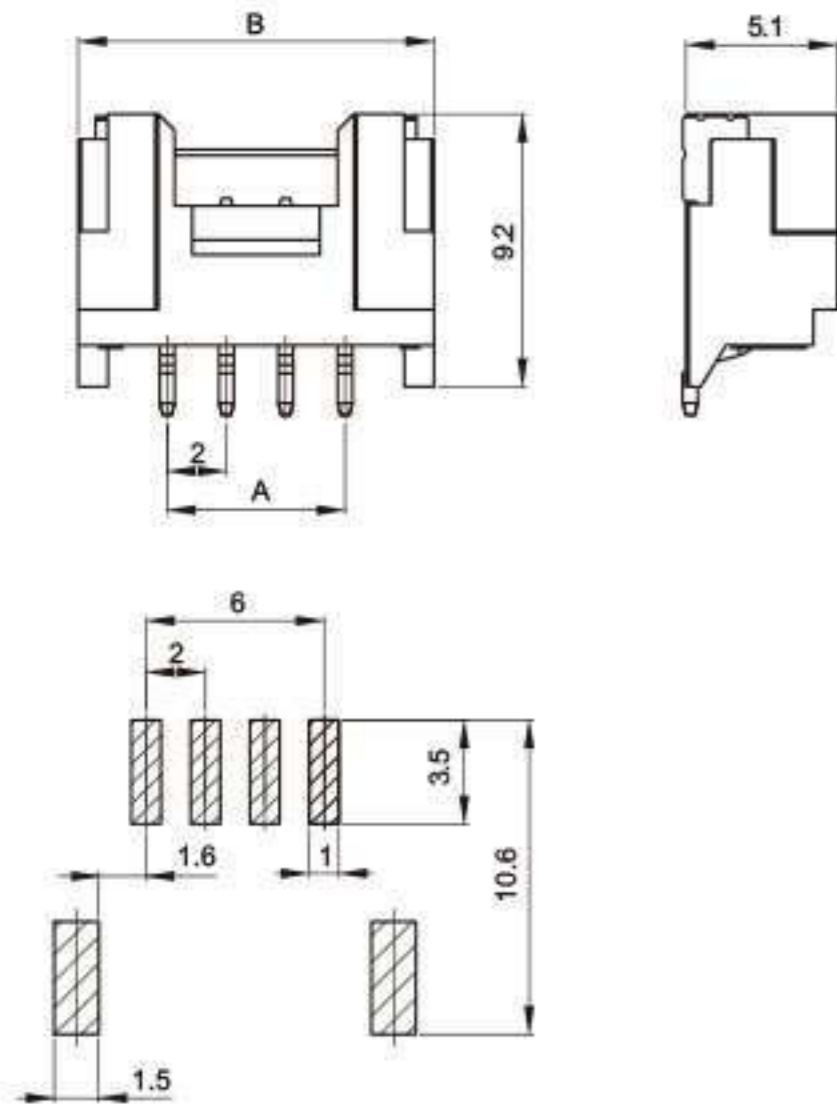
型号 Part No.	材质 Material	包装数量 Q'ty/bag	尺寸 Dimensions(mm)	
			A	B
C20009-A04AWB	PA10T	1K	13.75	6.0
C20009-A05AWB		1K	15.75	8.0
C20009-A06AWB		1K	17.75	10.0
C20009-A07AWB		1K	19.75	12.0
C20009-A08AWB		1K	21.75	14.0
C20009-A09AWB		1K	23.75	16.0
C20009-A10AWB		1K	25.75	18.0



■ 技术参数 SPECIFICATIONS

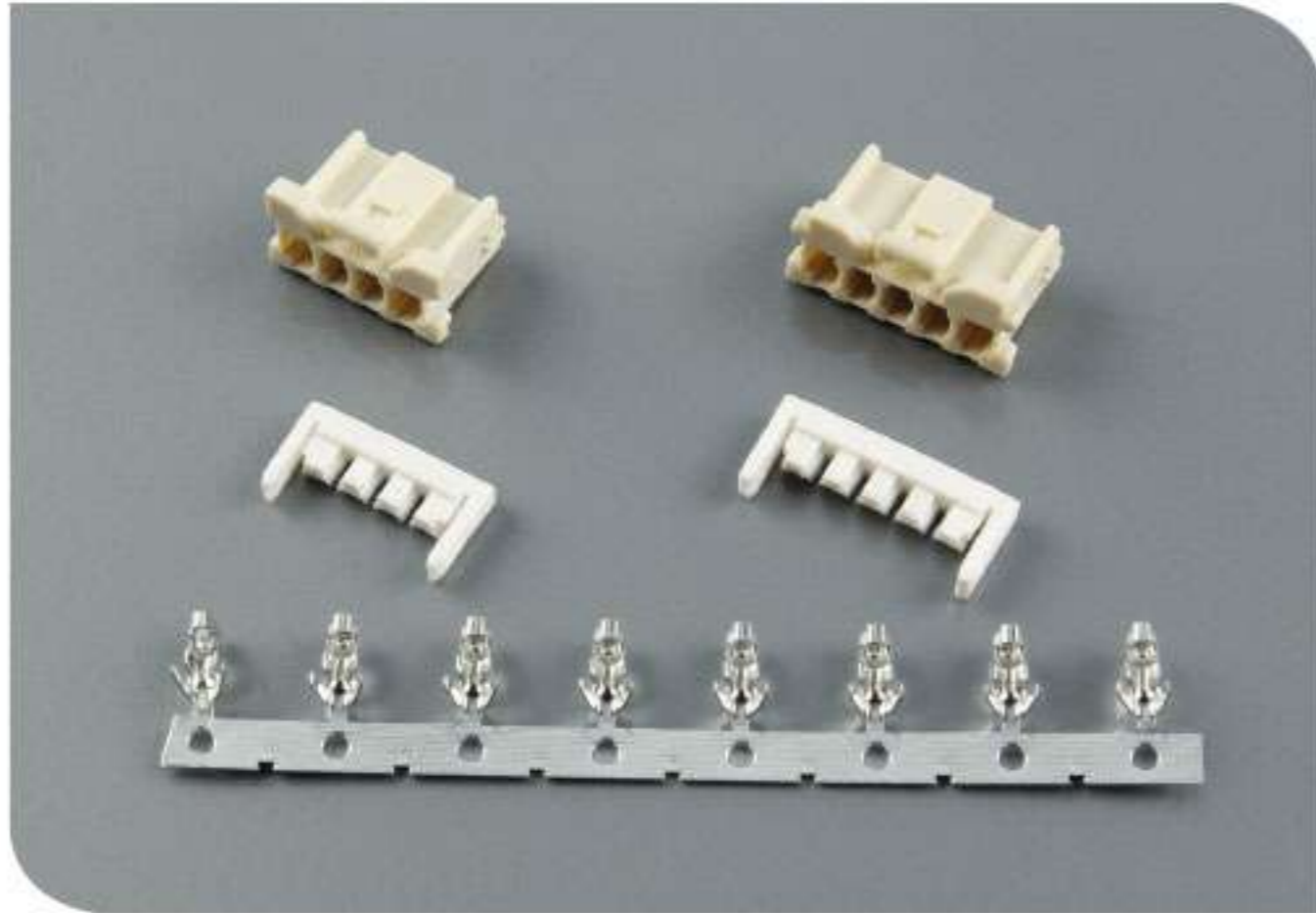
- 线数 Number of positions:4
 - 适用线规 Applicable wires:
 - 温度范围 Temperature range:-25℃~85℃
(including temperature rise in applying electrical current)
 - 额定电压 Voltage rating:250V AC,DC Max.
 - 额定电流 Current rating:3A AC,DC Max.
 - 接触电阻 Contact resistance: ≤ 10mΩ
 - 绝缘电阻 Insulation resistance: ≥ 1000MΩ
 - 耐压 Withstanding voltage:800V AC/minute
- *Compliant with RoHS.

C20011-ANAWB(TJC2004-4A)



针座 WAFER

型号 Part No.	材质 Material	包装数量 Q'ty/bag	尺寸 Dimensions(mm)	
			A	B
C20011-A04AWB	LCP	1K	6.0	12.0

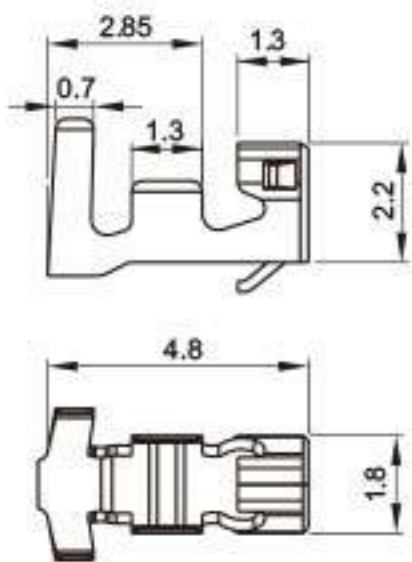


■ 技术参数 SPECIFICATIONS

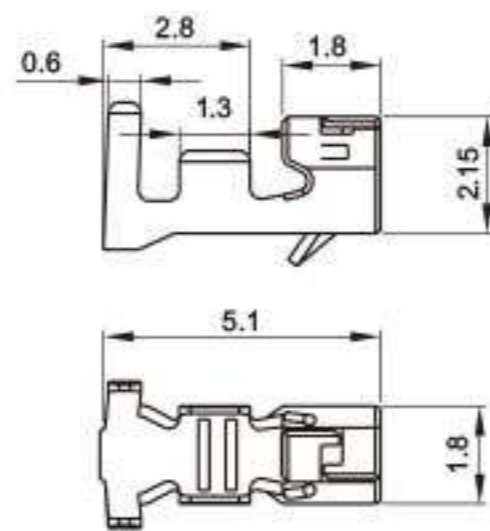
- 线数 Number of positions: 4~5
- 适用线规 Applicable wires: 26~22AWG
- 温度范围 Temperature range: -40°C~105°C
(including temperature rise in applying electrical current)
- 额定电压 Voltage rating: 220V AC, DC Max.
- 额定电流 Current rating: 2A AC, DC Max.
- 接触电阻 Contact resistance: $\leq 10\text{m}\Omega$
- 绝缘电阻 Insulation resistance: $\geq 1000\text{M}\Omega$
- 耐压 Withstanding voltage: 1000V AC/minute

*Compliant with RoHS.

C25001-01PT(1376476-1)



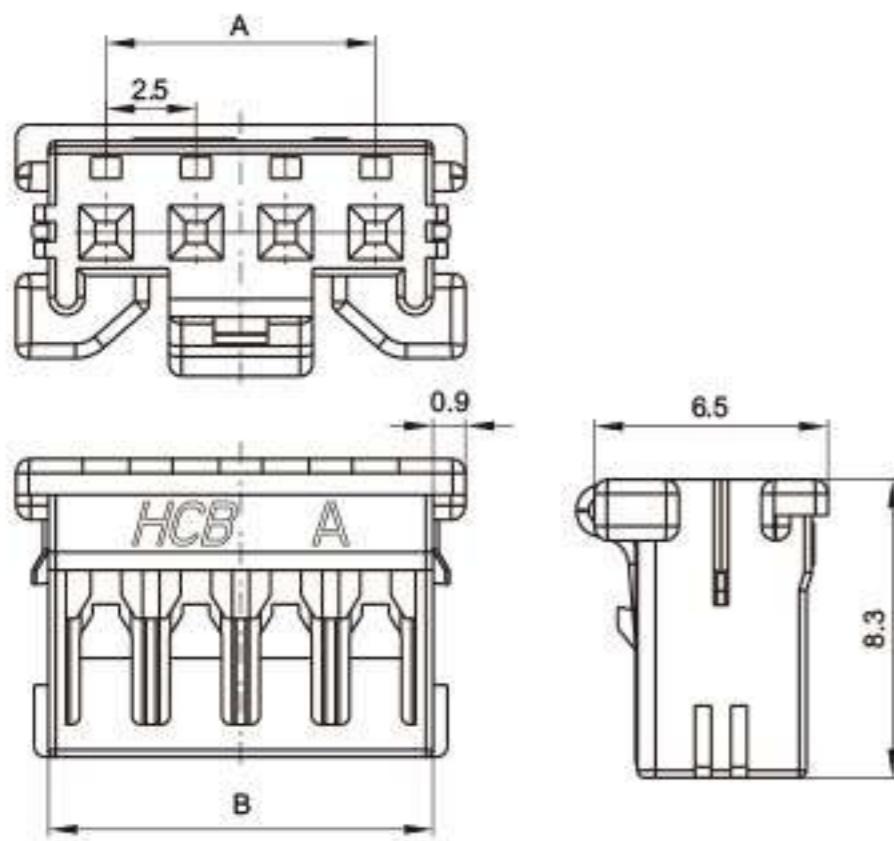
C25001-11PT(2318468-1)



端子 TERMINAL

型号 Part No.	材质 Material	料厚 Thickness	线规 Applicable wires		电线外径 Wire insulation O.D. mm	镀层 Plating	包装数量 Q'ty/reel
			AWG#	线径 mm ²			
C25001-01PT	Phosphor bronze	0.2	26-22	0.13-0.33	1.3-1.7	Tin Plated	7K
C25001-11PT	Phosphor bronze	0.2	26-22	0.13-0.33	1.3-1.7	Tin Plated	7K

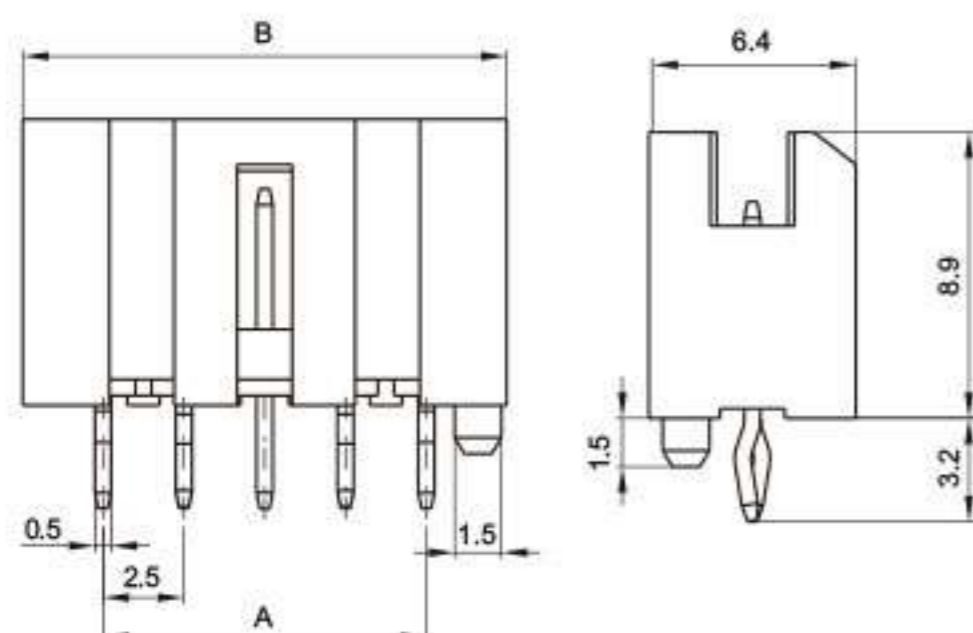
C25001-ANP(1376477-N)



公端塑件 PLUG HOUSING

型号 Part No.	材质 Material	包装数量 Q'ty/bag	尺寸 Dimensions(mm)	
			A	B
C25001-A04P	PA66	1K	7.5	10.7
C25001-A05P		1K	10.0	13.2

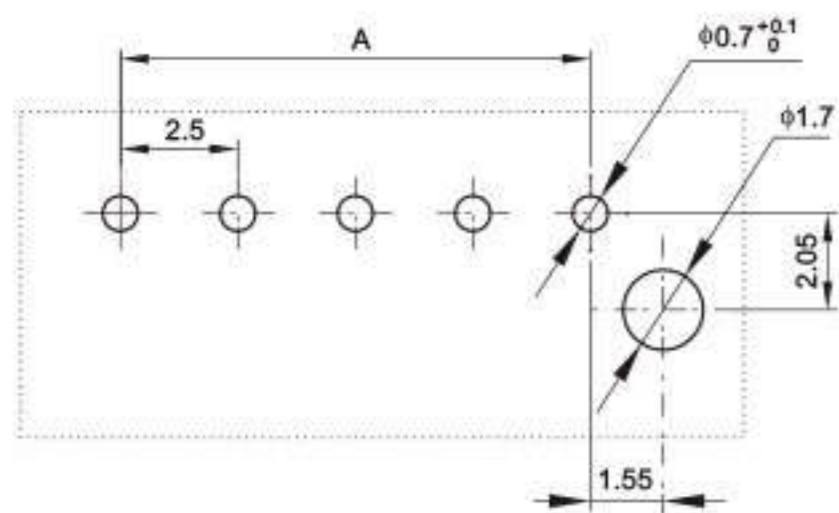
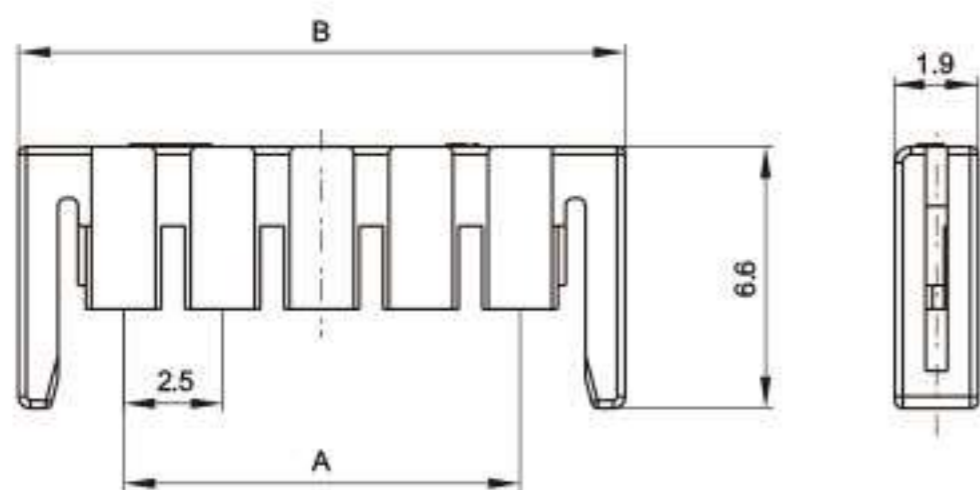
C25001-ANA(1376478-N)



针座 WAFER

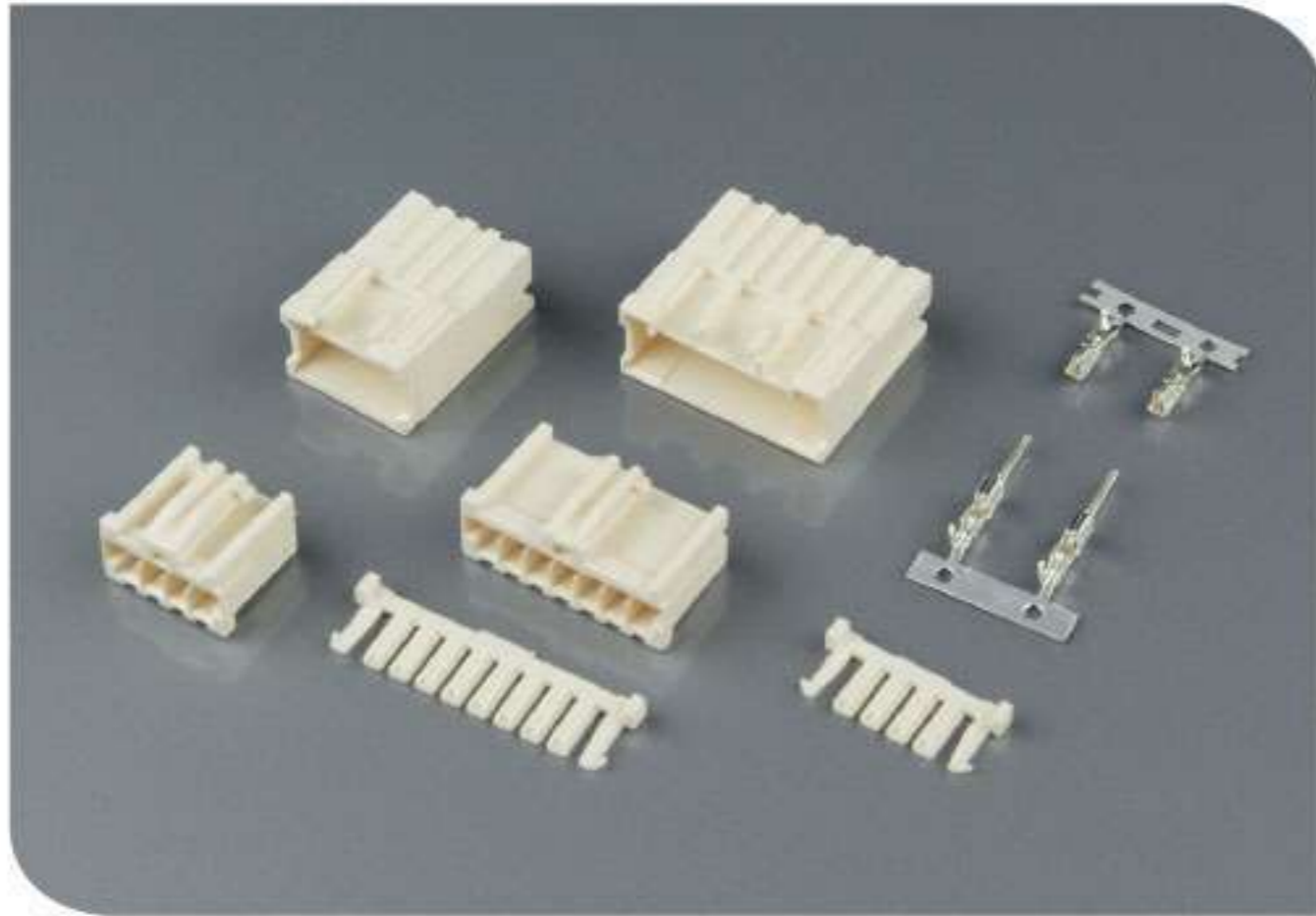
型号 Part No.	材质 Material	包装数量 Q'ty/bag	尺寸 Dimensions(mm)	
			A	B
C25001-A04AD	PA66	1K	7.5	12.5
C25001-A05AD		1K	10.0	15.0

C25001-ANS(1717567-N)



锁片 TPA

型号 Part No.	材质 Material	包装数量 Q'ty/bag	尺寸 Dimensions(mm)	
			A	B
C25001-A04S	PA66	2K	7.5	12.5
C25001-A05S		2K	10.0	15.3

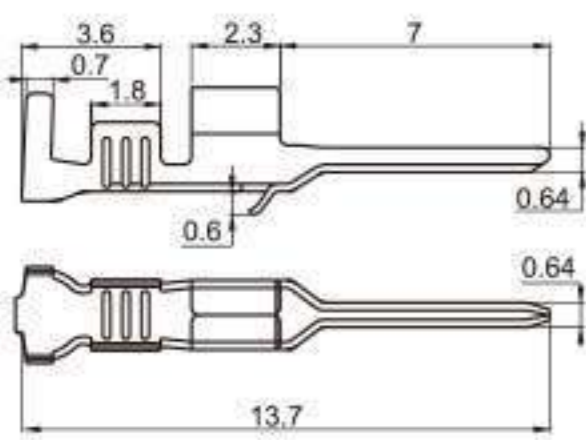


■ 技术参数 SPECIFICATIONS

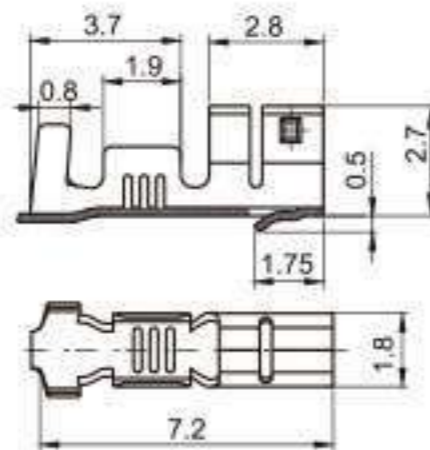
- 线数 Number of positions: 2~13
- 适用线规 Applicable wires: 26~20AWG
- 温度范围 Temperature range: -40°C~105°C
(including temperature rise in applying electrical current)
- 额定电压 Voltage rating: 250V AC, DC Max.
- 额定电流 Current rating: 3A AC, DC Max.
- 接触电阻 Contact resistance: $\leq 10\text{m}\Omega$
- 绝缘电阻 Insulation resistance: $\geq 1000\text{M}\Omega$
- 耐压 Withstanding voltage: 1000V AC/minute

*Compliant with RoHS.

C25002-01RT(917765-1)
C25002-02RT(917764-1)



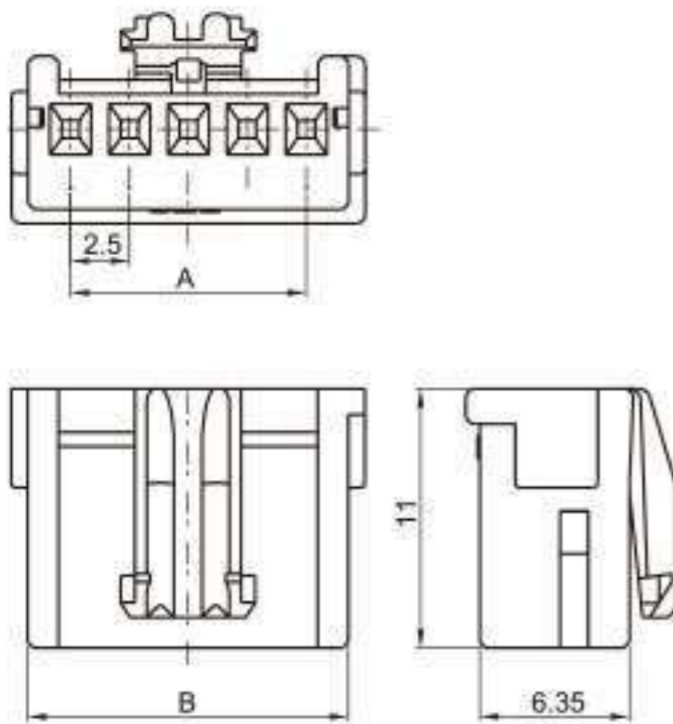
C25002-01PT(917684-1)
C25002-02PT(917683-1)



端子 TERMINAL

型号 Part No.	材质 Material	料厚 Thickness	线规 Applicable wires		电线外径 Wire insulation O.D. mm	镀层 Plating	包装数量 Q'ty/reel
			AWG#	线径 mm ²			
C25002-01PT	Phosphor bronze	0.2	26-22	0.13-0.33	1.3-1.7	Tin Plated	7K
C25002-02PT	Phosphor bronze	0.2	22-20	0.33-0.5	1.7-2.6	Tin Plated	7K
C25002-01RT	Phosphor bronze	0.2	26-22	0.13-0.33	1.3-1.7	Tin Plated	7K
C25002-02RT	Phosphor bronze	0.2	22-20	0.3-0.5	1.7-2.6	Tin Plated	7K

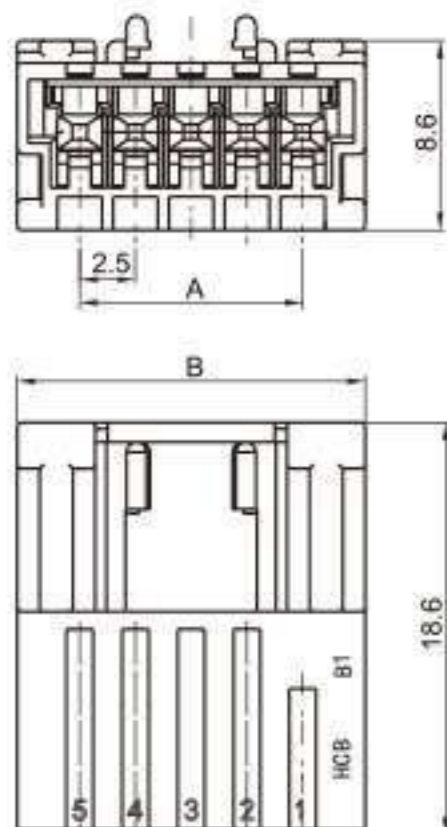
C25002-ANP (9176**-1)



公端塑件 PLUG HOUSING

型号 Part No.	材质 Material	包装数量 Q'ty/bag	尺寸 Dimensions(mm)	
			A	B
C25002-A02P	PA66	1K	2.5	6.1
C25002-A03P		1K	5.0	8.6
C25002-A04P		1K	7.5	11.1
C25002-A05P		1K	10.0	13.6
C25002-A06P		1K	12.5	16.1
C25002-A07P		1K	15.0	18.6
C25002-A08P		1K	17.5	21.1
C25002-A09P		1K	20.0	23.6
C25002-A10P		1K	22.5	26.1
C25002-A11P		1K	25.0	28.6
C25002-A13P		1K	30.0	33.6

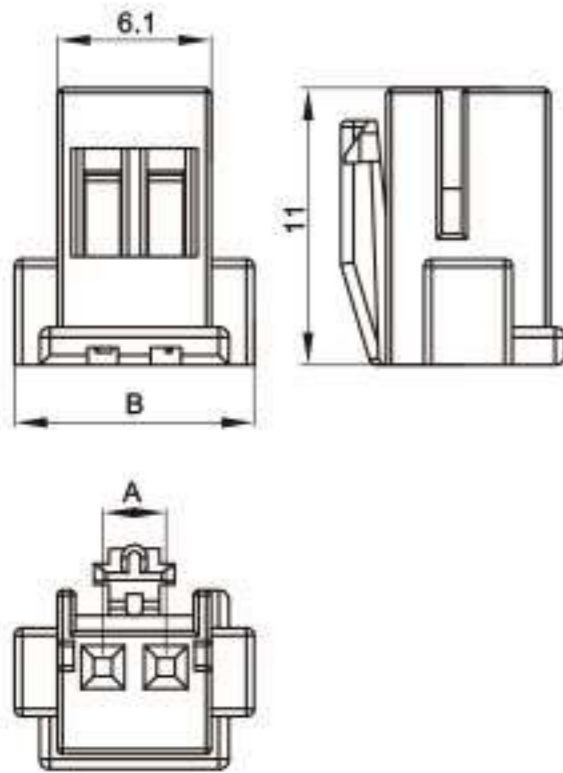
C25002-ANR(3160**)



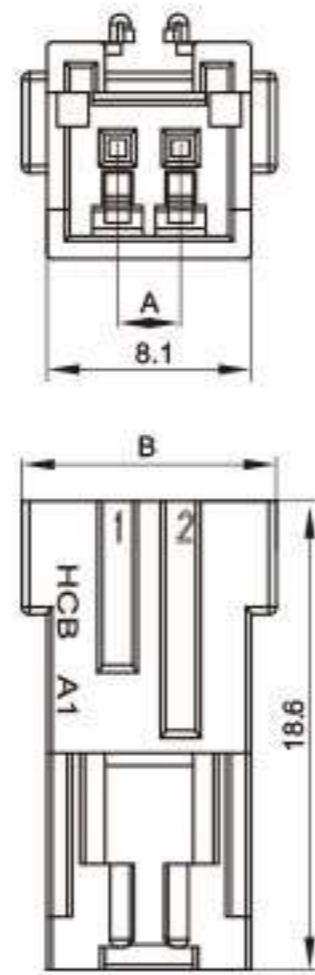
母端塑件 RECEPTACLE

型号 Part No.	材质 Material	包装数量 Q'ty/bag	尺寸 Dimensions(mm)	
			A	B
C25002-A02R	PA66	1K	2.5	8.1
C25002-A03R		1K	5.0	10.7
C25002-A04R		1K	7.5	13.2
C25002-A05R		1K	10.0	15.7
C25002-A06R		1K	12.5	18.2
C25002-A07R		1K	15.0	20.7
C25002-A08R		1K	17.5	23.2
C25002-A09R		1K	20.0	25.7
C25002-A10R		1K	22.5	28.3
C25002-A11R		1K	25.0	30.8
C25002-A13R		1K	30.0	35.8

C25002-ANP-2(917686B-1)



C25002-ANR-2(316086B-1)



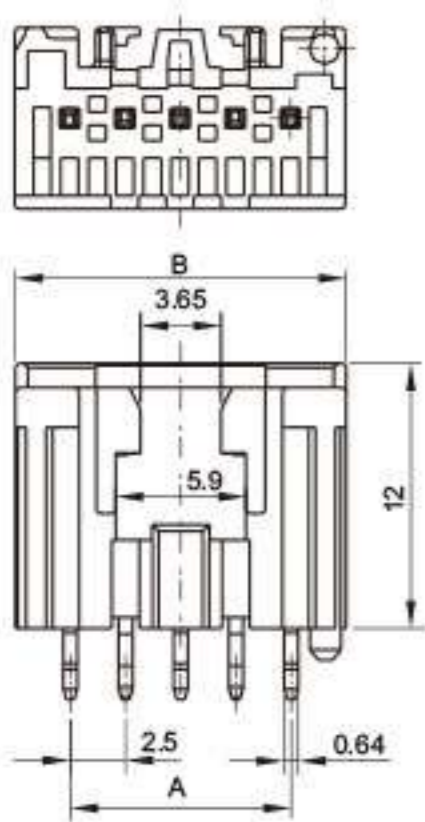
公端塑件 PLUG HOUSING

型号 Part No.	材质 Material	包装数量 Q'ty/bag	尺寸 Dimensions(mm)	
			A	B
C25002-A02P-2	PA66	1K	2.5	9.5

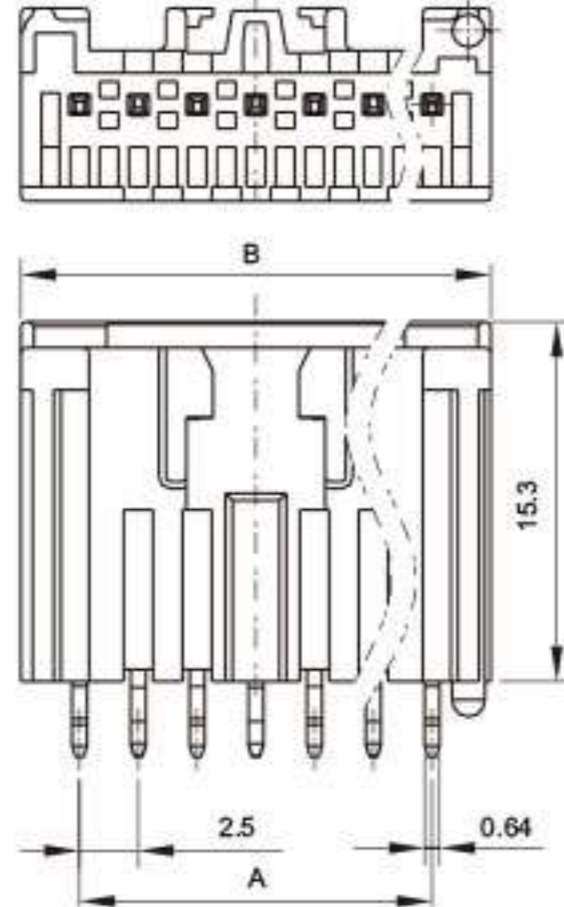
母端塑件 RECEPTACLE

型号 Part No.	材质 Material	包装数量 Q'ty/bag	尺寸 Dimensions(mm)	
			A	B
C25002-A02R-2	PA66	1K	2.5	10.1

C25002-ANA-3(917725-1)



C25002-ANA-2(917725**)



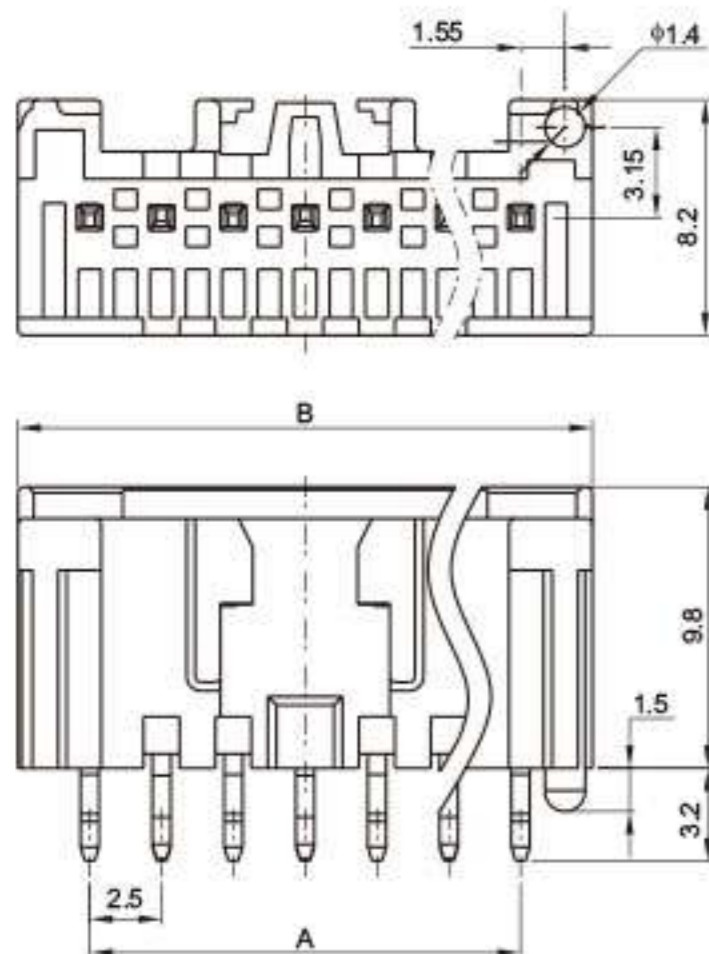
针座 WAFER

型号 Part No.	材质 Material	包装数量 Q'ty/bag	尺寸 Dimensions(mm)	
			A	B
C25002-A04A-2	PA66	1K	7.5	12.5

针座 WAFER

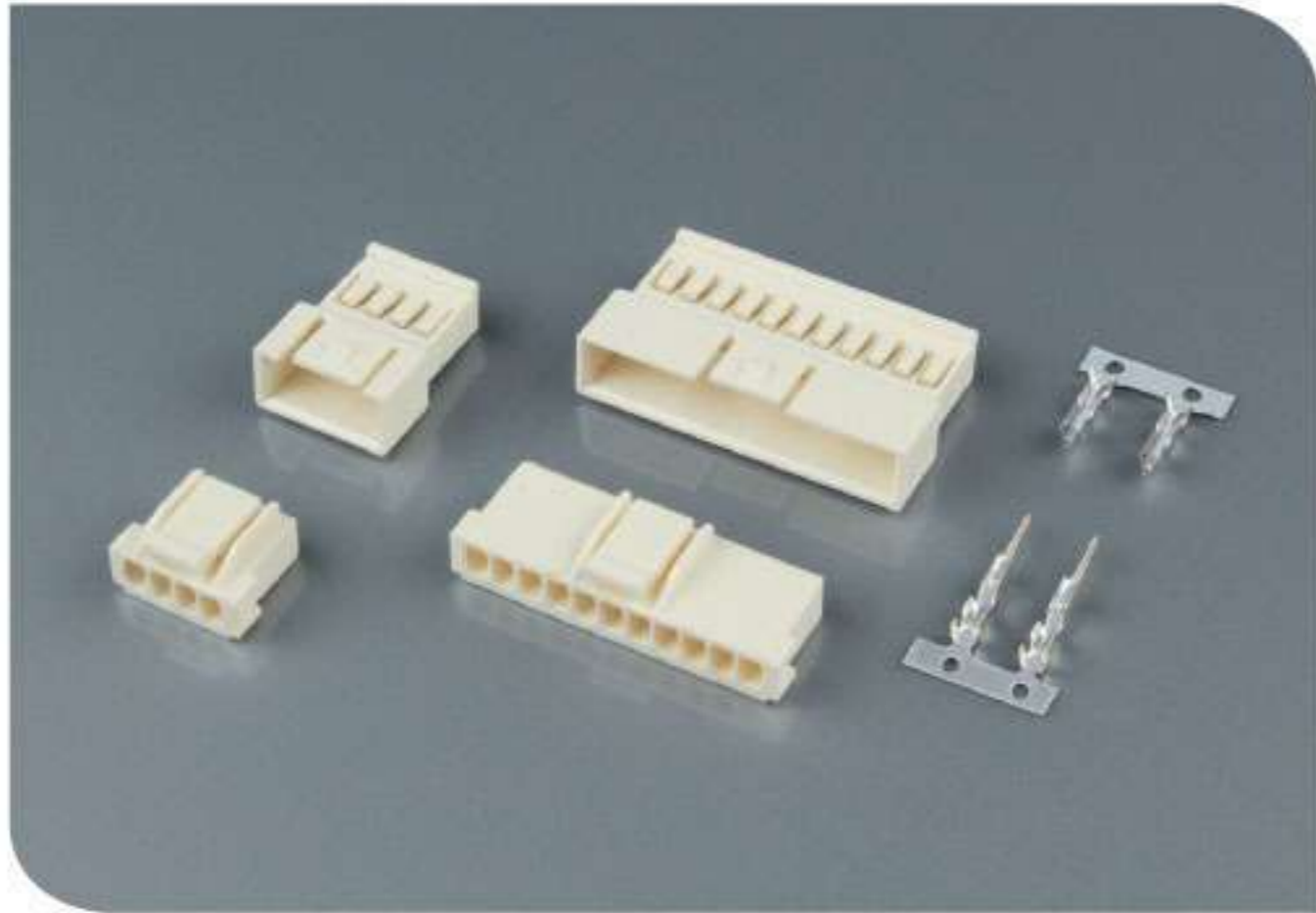
型号 Part No.	材质 Material	包装数量 Q'ty/bag	尺寸 Dimensions(mm)	
			A	B
C25002-A04A-2	PA66	1K	7.5	12.5
C25002-A06A-2		1K	12.5	17.5
C25002-A07A-2		1K	15.0	20.0
C25002-A08A-2		1K	17.5	22.5
C25002-A13A-2		1K	30.0	35.0

C25002-ANA(917789-1)



针座 WAFER

型号 Part No.	材质 Material	包装数量 Q'ty/bag	尺寸 Dimensions(mm)	
			A	B
C25002-A11A	PA66	1K	25.0	30.0

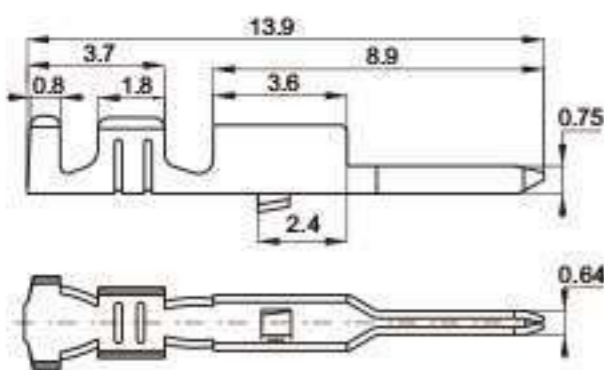


■ 技术参数 SPECIFICATIONS

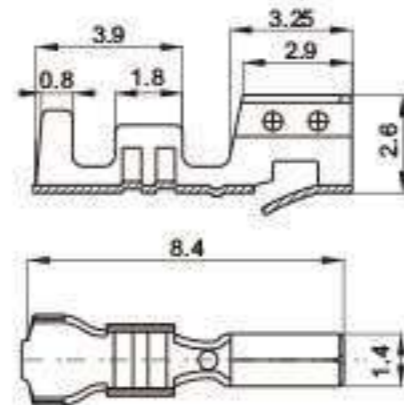
- 线数 Number of positions: 2~12
- 适用线规 Applicable wires: 26~22AWG
- 温度范围 Temperature range: -40°C~105°C
(including temperature rise in applying electrical current)
- 额定电压 Voltage rating: 250V AC, DC Max.
- 额定电流 Current rating: 3A AC, DC Max.
- 接触电阻 Contact resistance: ≤ 10mΩ
- 绝缘电阻 Insulation resistance: ≥ 1000MΩ
- 耐压 Withstanding voltage: 1000V AC/minute

*Compliant with RoHS.

C25003-01RT (35053-9002)



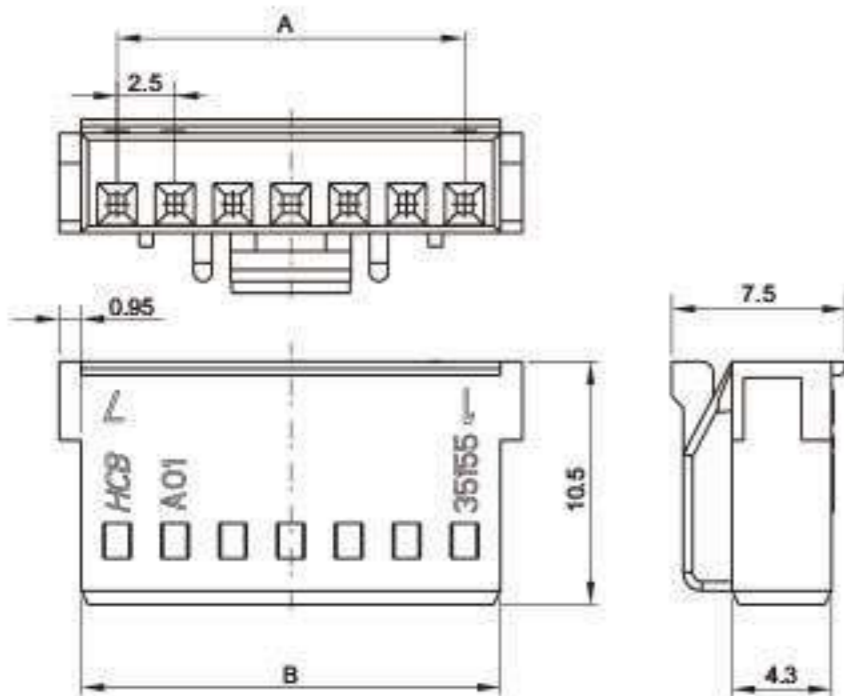
C25003-01PT (5103T)



端子 TERMINAL

型号 Part No.	材质 Material	料厚 Thickness	线规 Applicable wires		电线外径 Wire insulation O.D. mm	镀层 Plating	包装数量 Q'ty/reel
			AWG#	线径 mm ²			
C25003-01PT	Phosphor bronze	0.2	26-22	0.13-0.33	1.3-1.7	Tin Plated	8K
C25003-01RT	Phosphor bronze	0.2	26-22	0.13-0.33	1.3-1.7	Tin Plated	8K

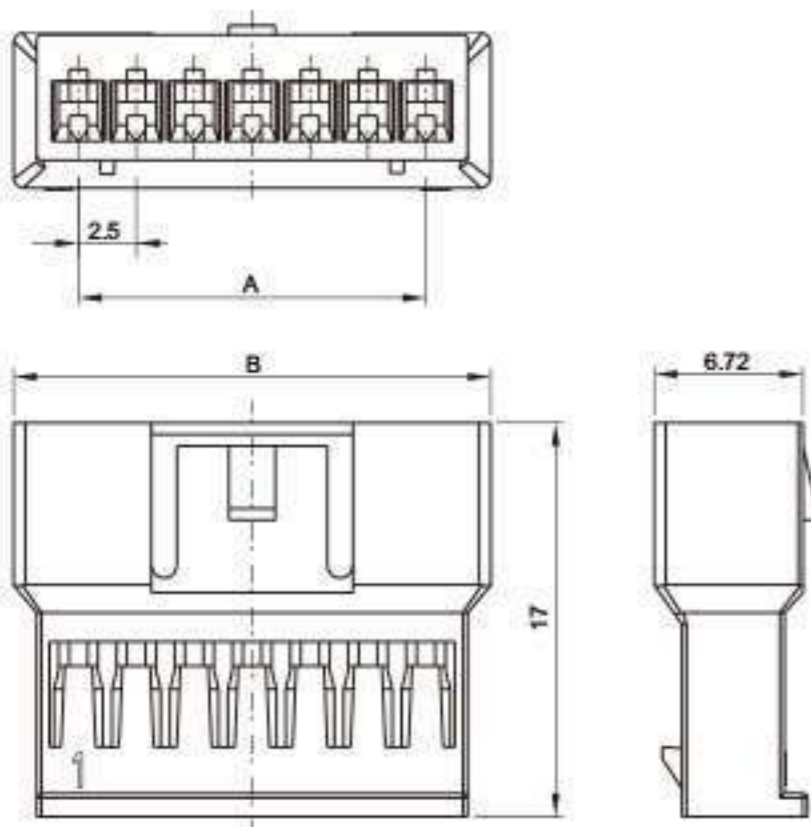
C25003-BNP (35155-**10)



公端塑件 PLUG HOUSING

型号 Part No.	材质 Material	包装数量 Q'ty/bag	尺寸 Dimensions(mm)	
			A	B
C25003-B02P	PA66	1K	2.5	5.6
C25003-B03P		1K	5	8.1
C25003-B04P		1K	7.5	10.6
C25003-B05P		1K	10	13.1
C25003-B06P		1K	12.5	15.6
C25003-B07P		1K	15	18.1
C25003-B08P		1K	17.5	20.6
C25003-B11P		1K	25	28.1
C25003-B12P		1K	27.5	30.6

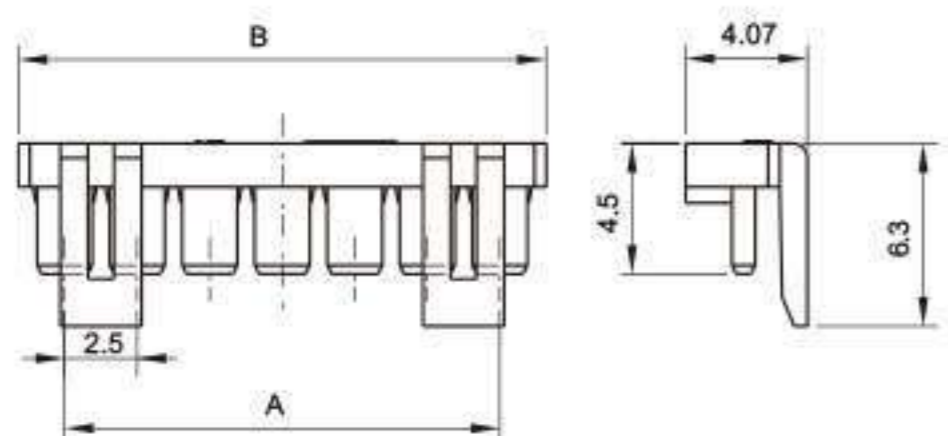
C25003-BNR (35184-**10)



母端塑件 RECEPTACLE

型号 Part No.	材质 Material	包装数量 Q'ty/bag	尺寸 Dimensions(mm)	
			A	B
C25003-B02R	PA66	1K	2.5	8.06
C25003-B03R		1K	5	10.56
C25003-B04R		1K	7.5	13.06
C25003-B05R		1K	10	15.56
C25003-B06R		1K	12.5	18.06
C25003-B07R		1K	15	20.56
C25003-B08R		1K	17.5	23.06
C25003-B11R		1K	25	30.56
C25003-B12R		1K	27.5	33.06

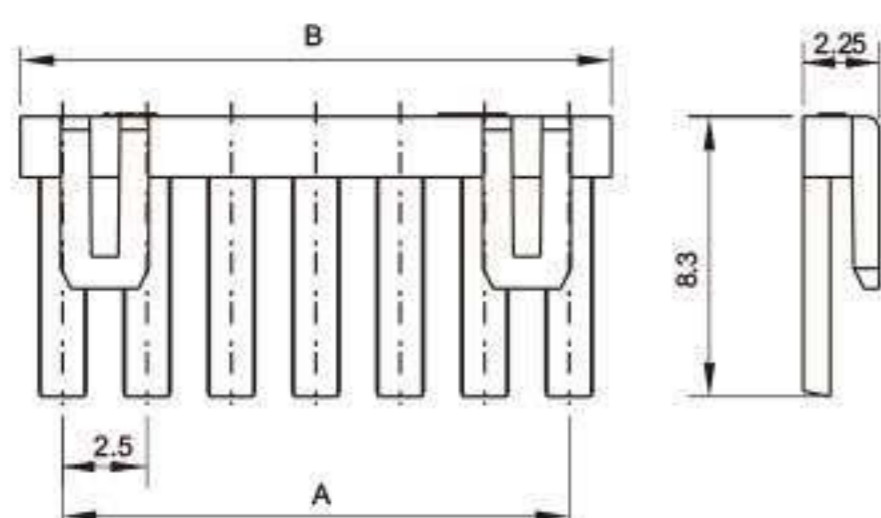
C25003-BNRS (35184-**90)



锁片 TPA

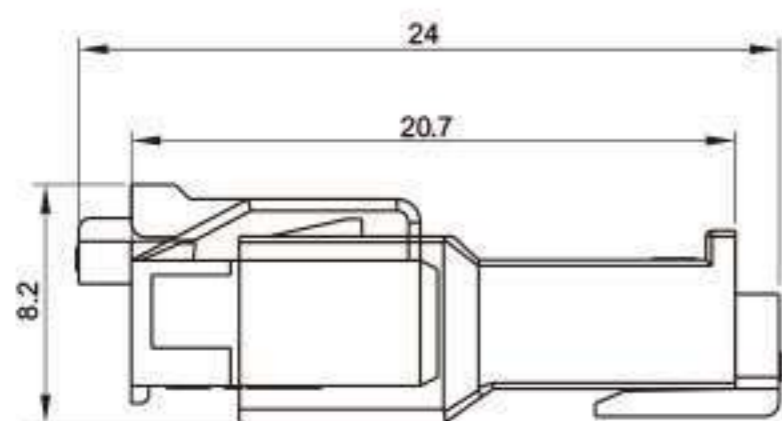
型号 Part No.	材质 Material	包装数量 Q'ty/bag	尺寸 Dimensions(mm)	
			A	B
C25003-B02RS	PA66	2K	2.5	5.7
C25003-B03RS		2K	5.0	8.2
C25003-B04RS		2K	7.5	10.7
C25003-B05RS		2K	10.0	13.2
C25003-B06RS		2K	12.5	15.7
C25003-B07RS		2K	15.0	18.2
C25003-B08RS		2K	17.5	20.7
C25003-B11RS		2K	25.0	28.2
C25003-B12RS		2K	27.5	30.7

C25003-BNS (35155-**90)

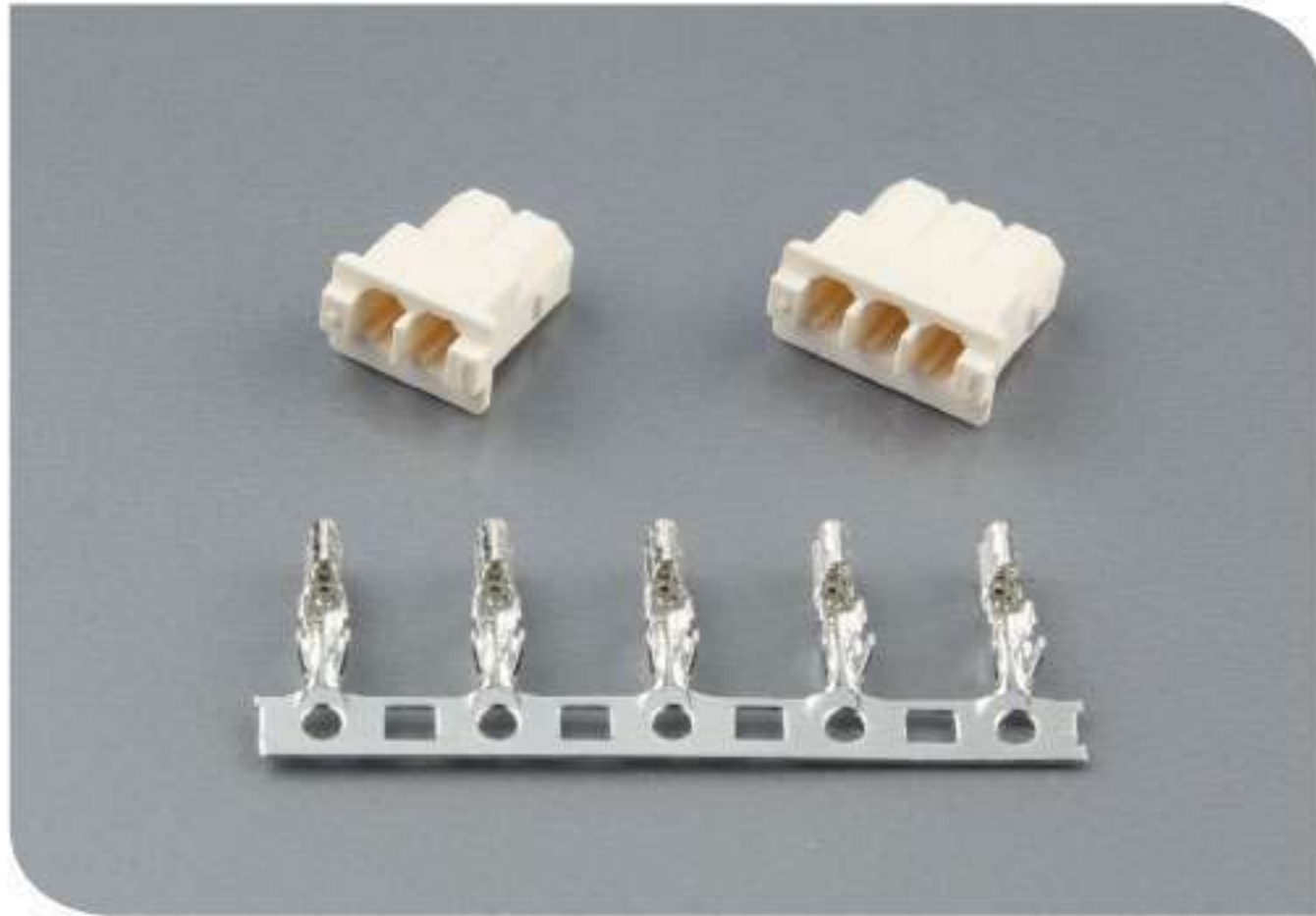


锁片 TPA

型号 Part No.	材质 Material	包装数量 Q'ty/bag	尺寸 Dimensions(mm)	
			A	B
C25003-B02S	PA66	2K	2.5	7.45
C25003-B03S		2K	5.0	9.95
C25003-B04S		2K	7.5	12.45
C25003-B07S		2K	15.0	19.95
C25003-B08S		2K	17.5	22.45
C25003-B11S		2K	25.0	29.95
C25003-B12S		2K	27.5	32.45



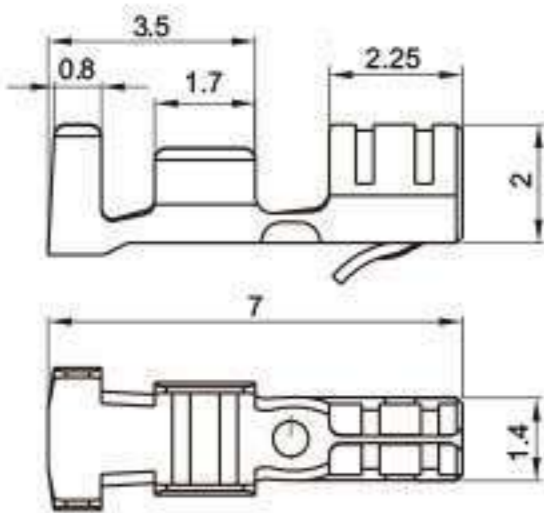
注释一：2-5PIN 挂钩在两侧



技术参数 SPECIFICATIONS

- 线数 Number of positions: 2~6
 - 适用线规 Applicable wires: 26~22AWG
 - 温度范围 Temperature range: -40°C~105°C
(including temperature rise in applying electrical current)
 - 额定电压 Voltage rating: 250V AC, DC Max.
 - 额定电流 Current rating: 3A AC, DC Max.
 - 接触电阻 Contact resistance: $\leq 10\text{m}\Omega$
 - 绝缘电阻 Insulation resistance: $\geq 1000\text{M}\Omega$
 - 耐压 Withstanding voltage: 1000V AC/minute
- *Compliant with RoHS.

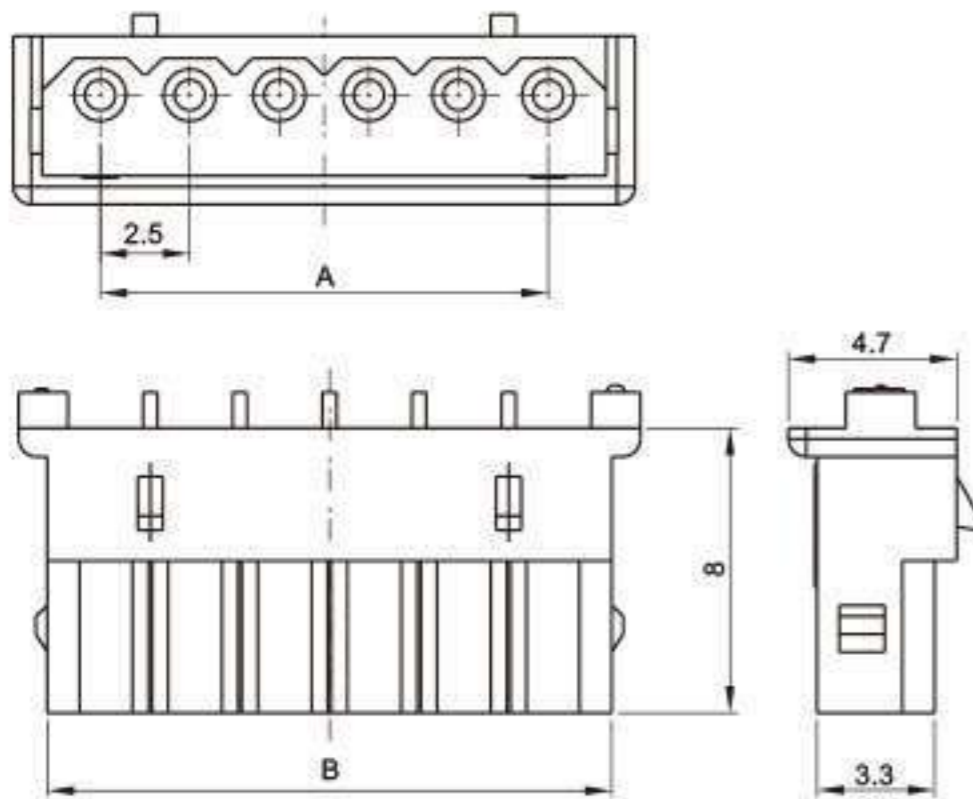
C25004-01PT (5263-PT)



端子 TERMINAL

型号 Part No.	材质 Material	料厚 Thickness	线规 Applicable wires		电线外径 Wire insulation O.D. mm	镀层 Plating	包装数量 Q'ty/reel
			AWG#	线径 mm ²			
C25004-01PT	Phosphor bronze	0.2	26-22	0.13-0.33	1.3-1.7	Tin Plated	10K

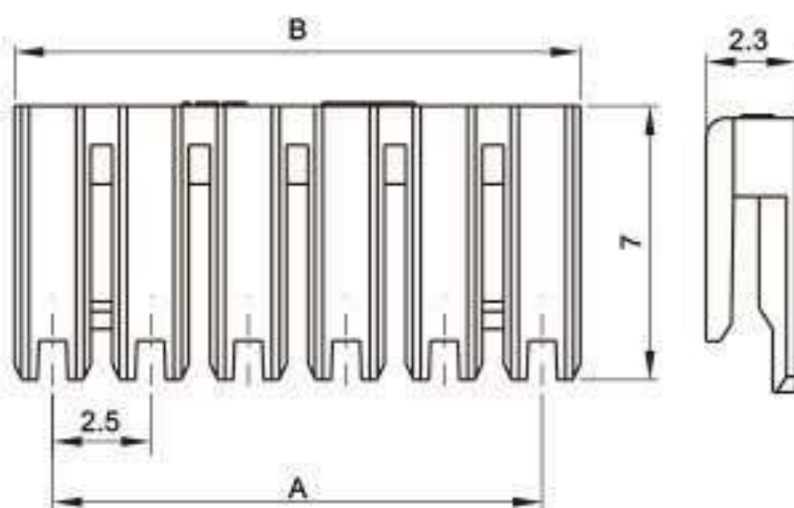
C25004-BNP (5264-NYS)



公端塑件 PLUG HOUSING

型号 Part No.	材质 Material	包装数量 Q'ty/bag	尺寸 Dimensions(mm)	
			A	B
C25004-B02P	PA66	1K	2.5	5.75
C25004-B03P		1K	5.0	8.25
C25004-B04P		1K	7.5	10.75
C25004-B06P		1K	12.5	15.75

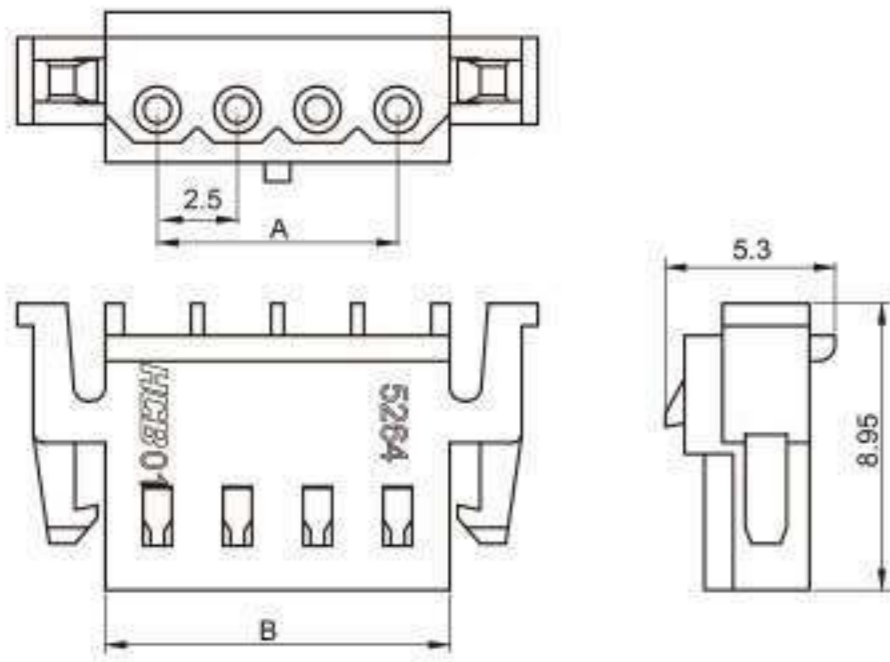
C25004-BNS (5264-NS)



锁片 TPA

型号 Part No.	材质 Material	包装数量 Q'ty/bag	尺寸 Dimensions(mm)	
			A	B
C25004-B02S	PA66	2K	2.5	4.45
C25004-B03S		2K	5.0	6.95
C25004-B04S		2K	7.5	9.45
C25004-B06S		2K	12.5	14.45

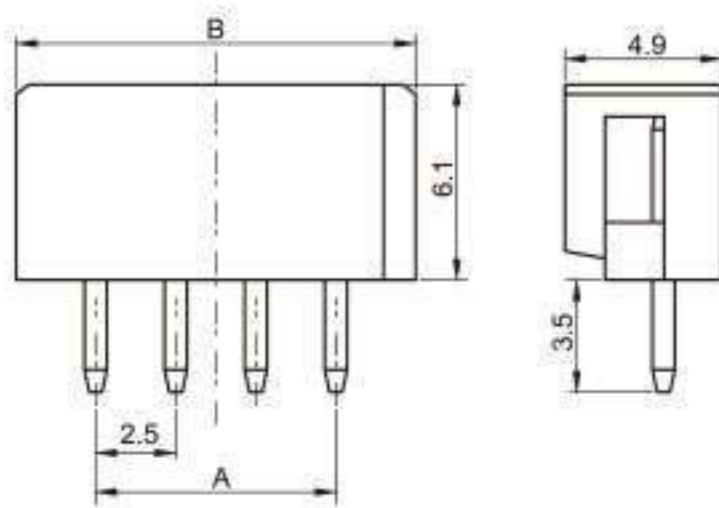
C25004-CNP(5264-NYLS)



公端塑件 PLUG HOUSING

型号 Part No.	材质 Material	包装数量 Q'ty/bag	尺寸 Dimensions(mm)	
			A	B
C25004-C04P	PA66	1K	7.5	10.75

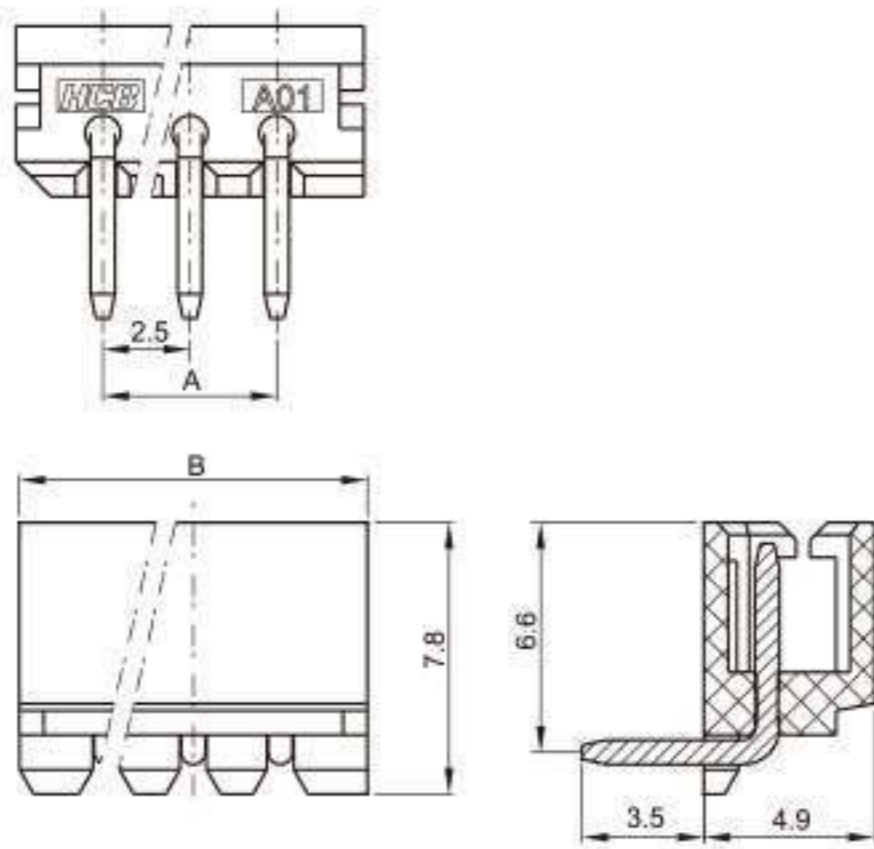
C25004-ANA(5267-NA)



针座 WAFER

型号 Part No.	材质 Material	包装数量 Q'ty/bag	尺寸 Dimensions(mm)	
			A	B
C25004-A04A	PA66	1K	7.5	12.5

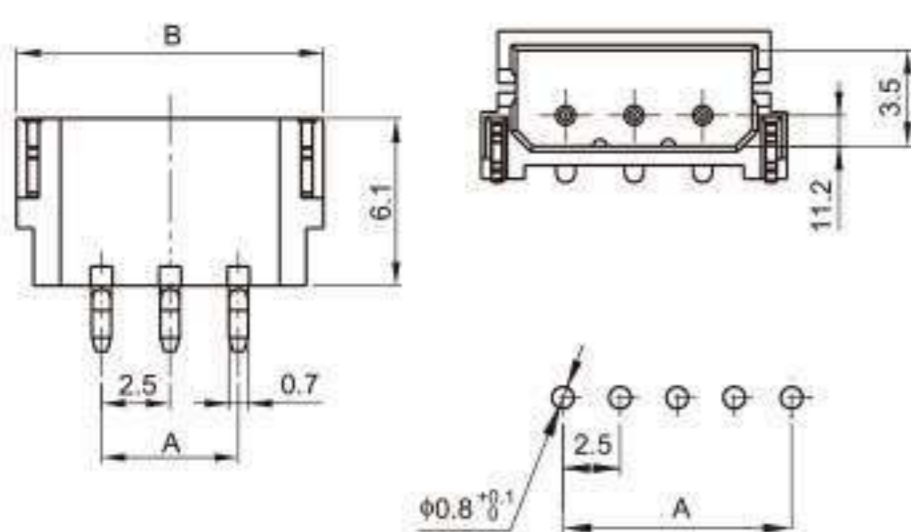
C25004-ANAW(5268-NA)



针座 WAFER

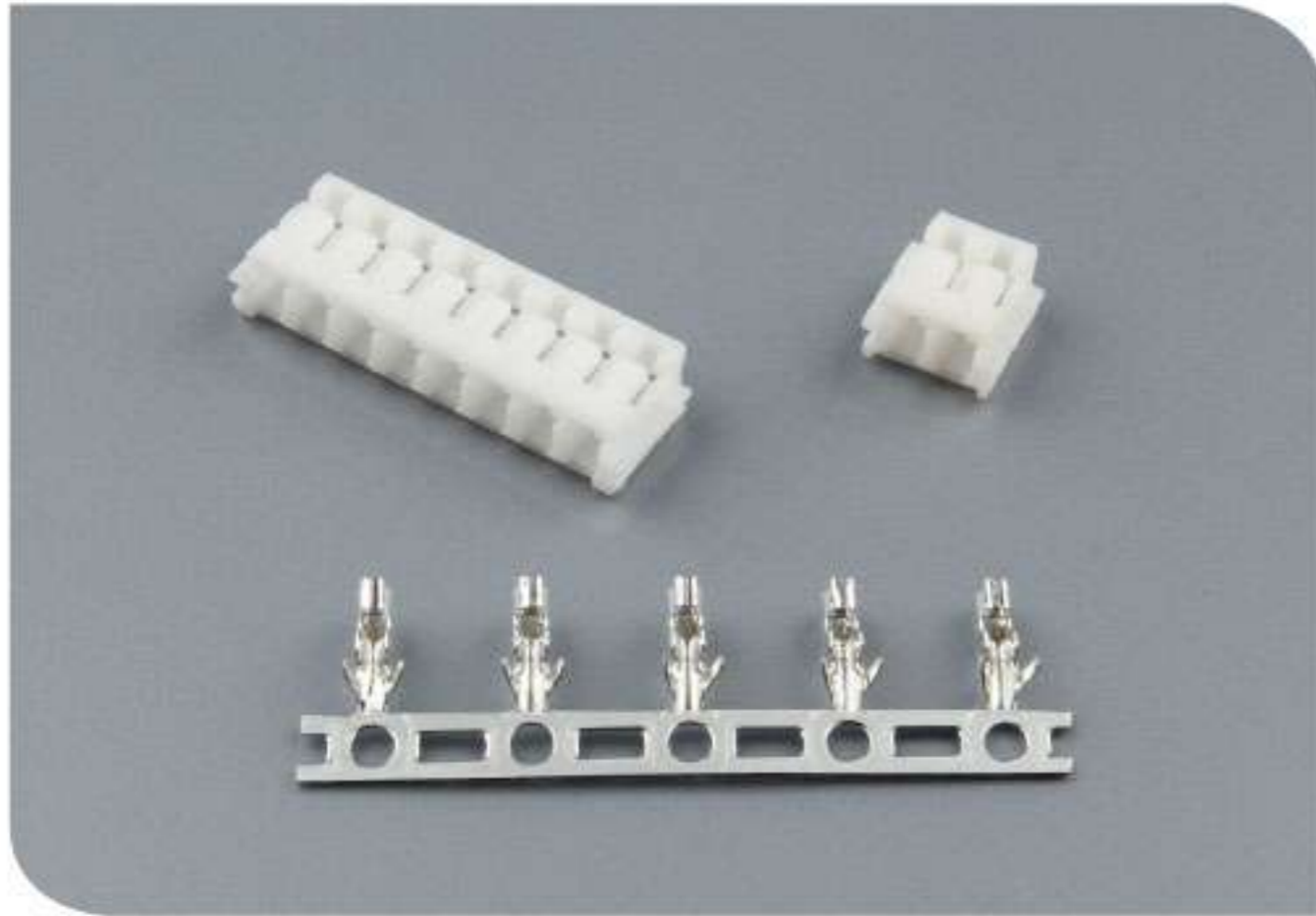
型号 Part No.	材质 Material	包装数量 Q'ty/bag	尺寸 Dimensions(mm)	
			A	B
C25004-A02AW	PA66	2K	2.5	7.5
C25004-A03AW		2K	5.0	10.0

C25004-ANAWB(5264-NWA)



针座 WAFER

型号 Part No.	材质 Material	包装数量 Q'ty/bag	尺寸 Dimensions(mm)	
			A	B
C25004-A03AWB	PA66	1K	5.0	11.2

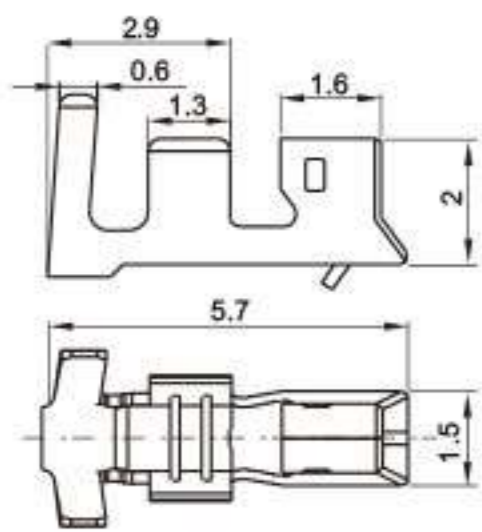


■ 技术参数 SPECIFICATIONS

- 线数 Number of positions: 2~14
- 适用线规 Applicable wires: 26~22AWG
- 温度范围 Temperature range: -40°C~105°C
(including temperature rise in applying electrical current)
- 额定电压 Voltage rating: 250V AC, DC Max.
- 额定电流 Current rating: 3A AC, DC Max.
- 接触电阻 Contact resistance: $\leq 10\text{m}\Omega$
- 绝缘电阻 Insulation resistance: $\geq 1000\text{M}\Omega$
- 耐压 Withstanding voltage: 1000V AC/minute

*Compliant with RoHS.

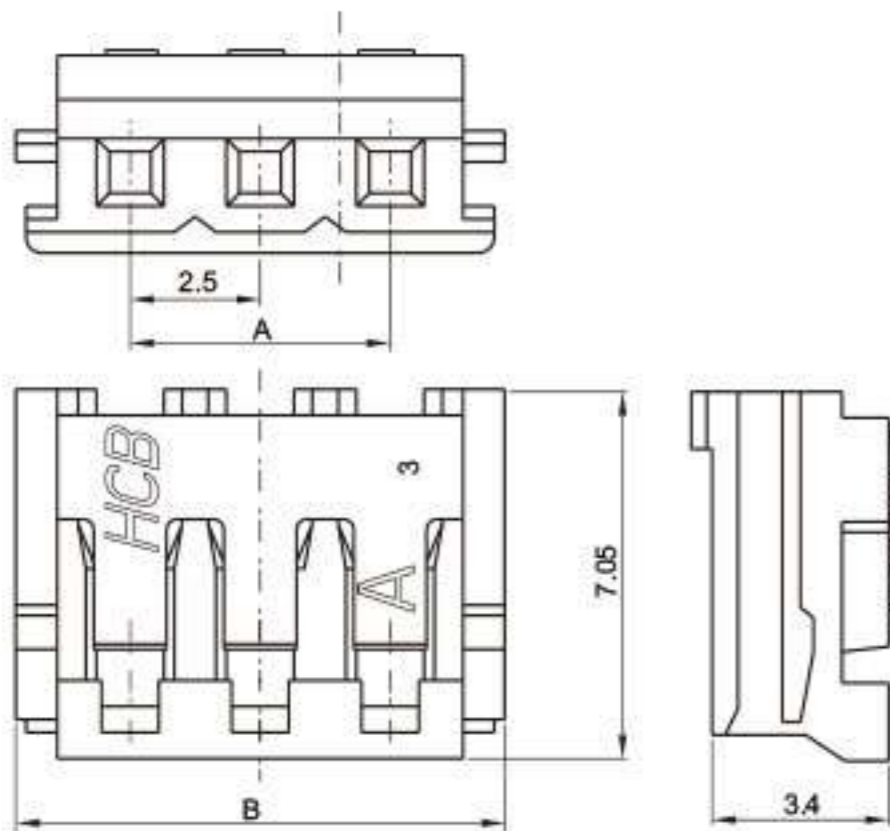
C25005-01PT (EH-PT)



端子 TERMINAL

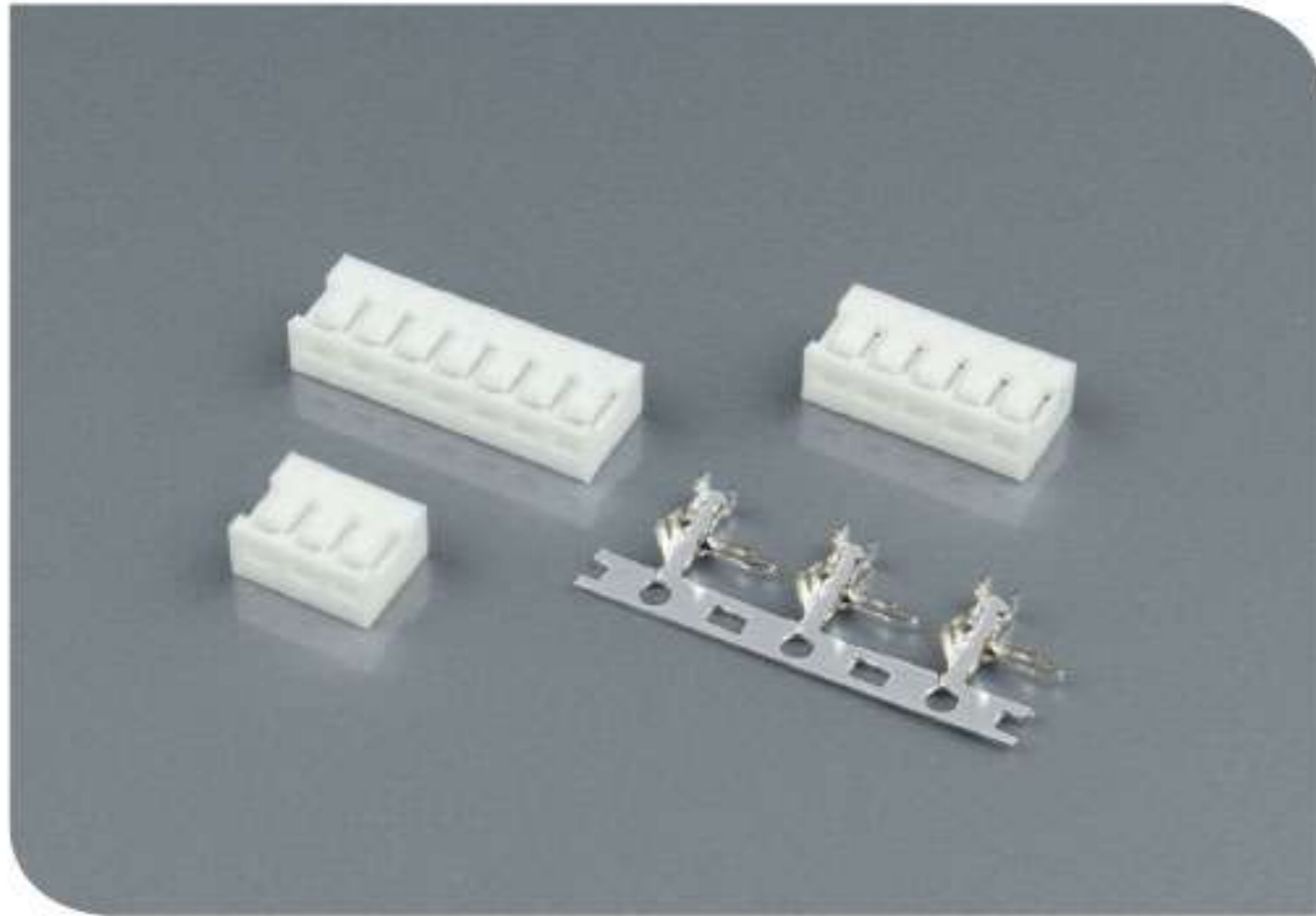
型号 Part No.	材质 Material	料厚 Thickness	线规 Applicable wires		电线外径 Wire insulation O.D. mm	镀层 Plating	包装数量 Q'ty/reel
			AWG#	线径 mm ²			
C25005-01PT	Phosphor bronze	0.2	26-22	0.13-0.33	1.3-1.7	Tin Plated	8K

C25005-ANP (EH-NY)



公端塑件 PLUG HOUSING

型号 Part No.	材质 Material	包装数量 Q'ty/bag	尺寸 Dimensions(mm)	
			A	B
C25005-A02P	PA66	2K	NA	6.9
C25005-A03P		2K	5.0	9.4
C25005-A08P		2K	17.5	21.9
C25005-A14P		2K	32.5	36.9

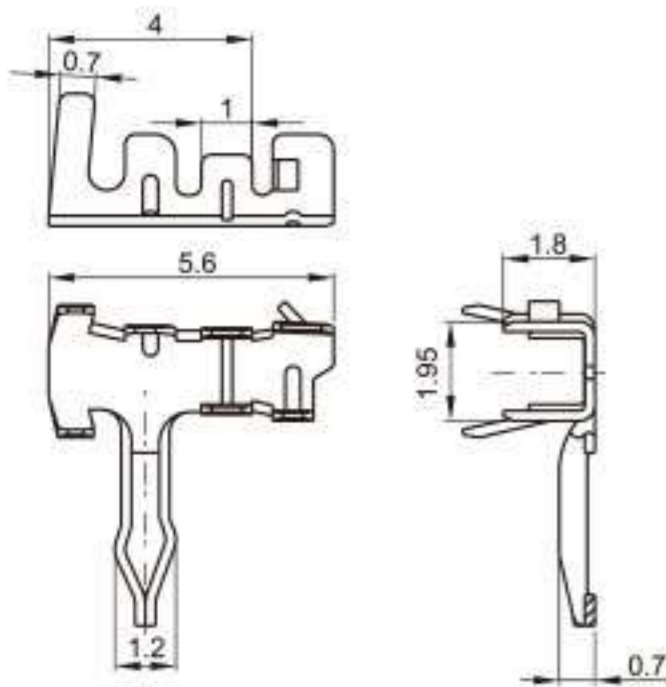


■ 技术参数 SPECIFICATIONS

- 线数 Number of positions: 2~7
- 适用线规 Applicable wires: 26~22AWG
- 温度范围 Temperature range: -40°C~105°C
(including temperature rise in applying electrical current)
- 额定电压 Voltage rating: 250V AC, DC Max.
- 额定电流 Current rating: 3A AC, DC Max.
- 接触电阻 Contact resistance: ≤ 10mΩ
- 绝缘电阻 Insulation resistance: ≥ 1000MΩ
- 耐压 Withstanding voltage: 1000V AC/minute

*Compliant with RoHS.

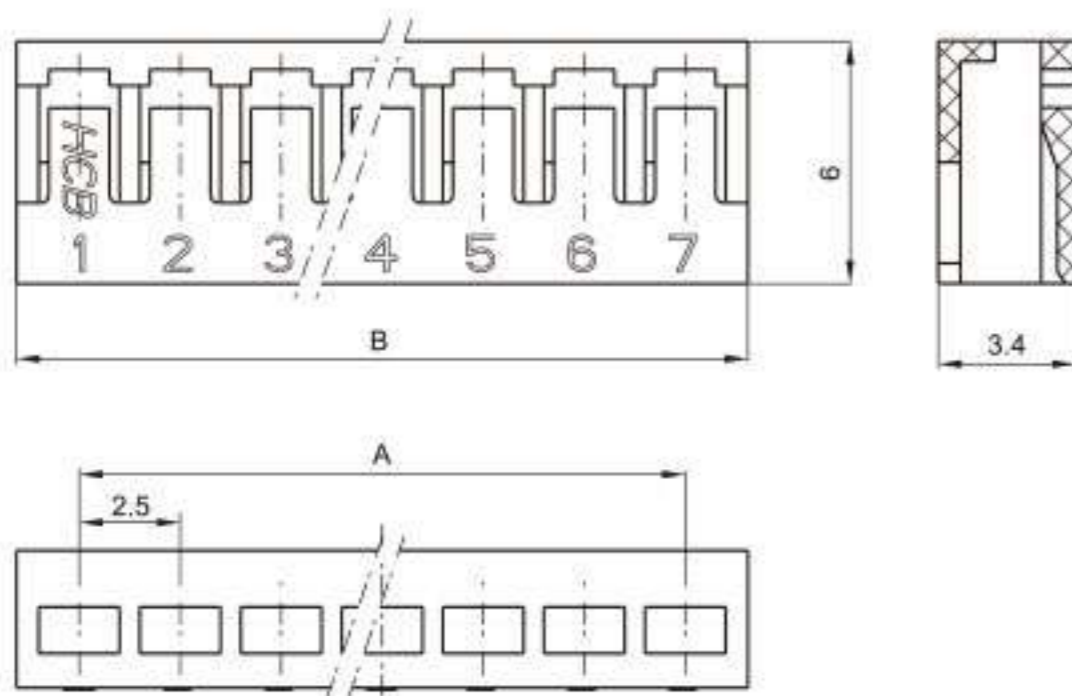
C25006-01PT (JC25-PT)



端子 TERMINAL

型号 Part No.	材质 Material	料厚 Thickness	线规 Applicable wires		电线外径 Wire insulation O.D. mm	镀层 Plating	包装数量 Q'ty/reel
			AWG#	线径 mm ²			
C25006-01PT	Phosphor bronze	0.2	26-22	0.13-0.33	1.3-1.7	Tin Plated	8K

C25006-ANP (JC25-NY)



公端塑件 PLUG HOUSING

型号 Part No.	材质 Material	包装数量 Q'ty/bag	尺寸 Dimensions(mm)	
			A	B
C25005-A02P	PA66	2K	2.5	5.6
C25005-A03P		2K	5.0	8.1
C25005-A05P		2K	10.0	13.1
C25005-A07P		2K	15.0	18.1

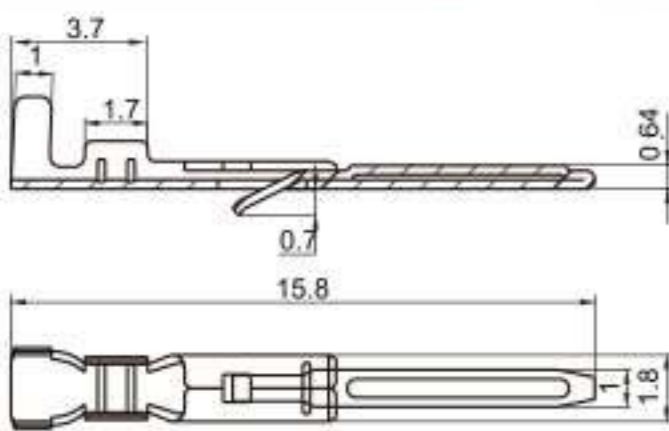


■ 技术参数 SPECIFICATIONS

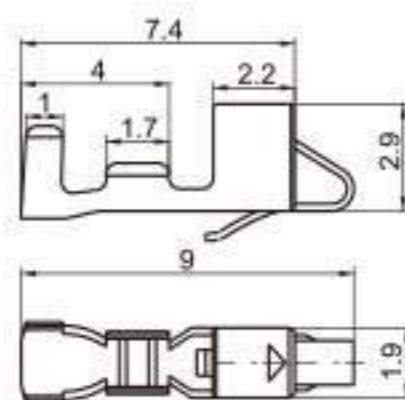
- 线数 Number of positions: 2~6
- 适用线规 Applicable wires: 28~24AWG
- 温度范围 Temperature range: -40°C~105°C
(including temperature rise in applying electrical current)
- 额定电压 Voltage rating: 250V AC, DC Max.
- 额定电流 Current rating: 3A AC, DC Max.
- 接触电阻 Contact resistance: ≤ 10mΩ
- 绝缘电阻 Insulation resistance: ≥ 1000MΩ
- 耐压 Withstanding voltage: 1000V AC/minute

*Compliant with RoHS.

C25007-01RT(SM-RT)
C25007-00RT(SM-RT-1)



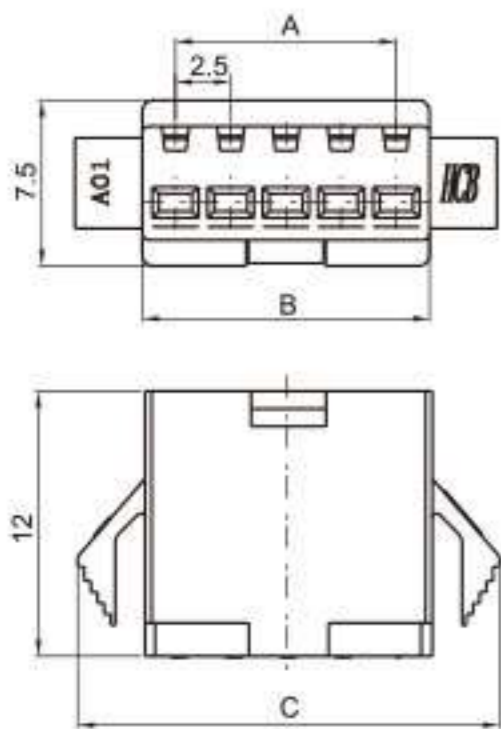
C25007-01PT(SM-PT)
C25007-00PT(SM-PT-1)



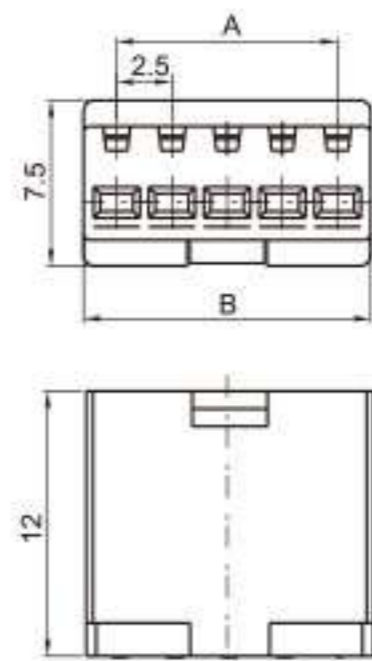
端子 TERMINAL

型号 Part No.	材质 Material	料厚 Thickness	线规 Applicable wires		电线外径 Wire insulation O.D. mm	镀层 Plating	包装数量 Q'ty/reel
			AWG#	线径 mm ²			
C25007-00RT	Phosphor bronze	0.25	28-24	0.06-0.22	1.0-1.3	Tin Plated	8K
C25007-01RT	Phosphor bronze	0.25	24-20	0.13-0.33	1.5-2.6	Tin Plated	8K
C25007-00PT	Phosphor bronze	0.2	28-24	0.06-0.22	1.0-1.3	Tin Plated	8K
C25007-01PT	Phosphor bronze	0.2	24-20	0.13-0.33	1.5-2.6	Tin Plated	8K

C25007-ANPF(SM-NP)



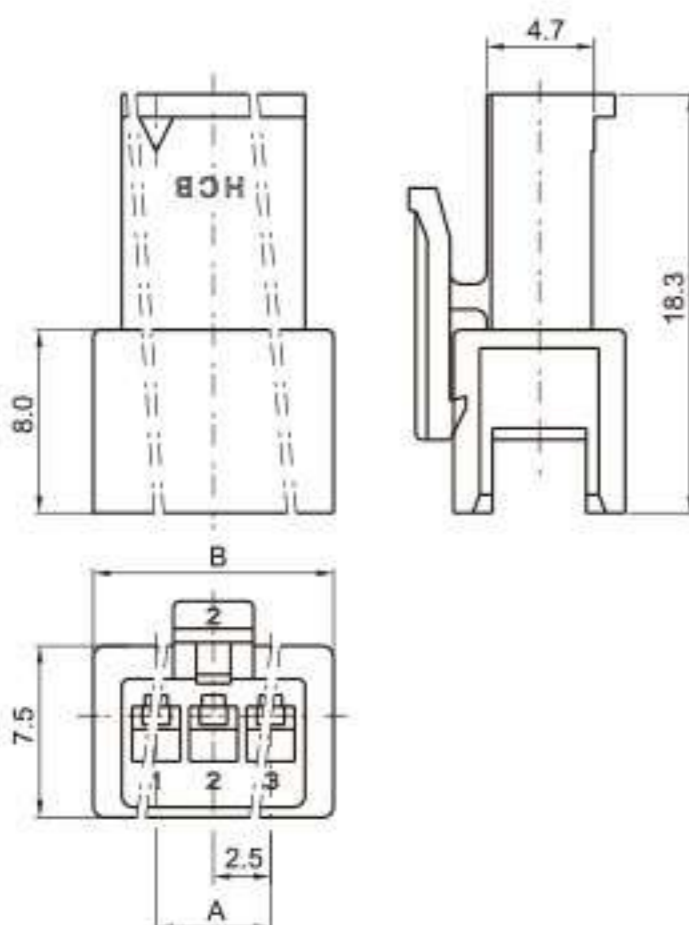
C25007-ANPF(SM-NPF)



公端塑件 PLUG HOUSING

型号 Part No.	材质 Material	包装数量 Q'ty/bag	尺寸 Dimensions(mm)		
			A	B	C
C25007-A02P/PF	PA66	1K	2.5	5.5	11.3
C25007-A03P/PF		1K	5	8.0	13.8
C25007-A04P/PF		1K	7.5	10.5	16.3
C25007-A05P/PF		1K	10	13.0	18.8
C25007-A06P/PF		1K	12.5	15.5	21.3

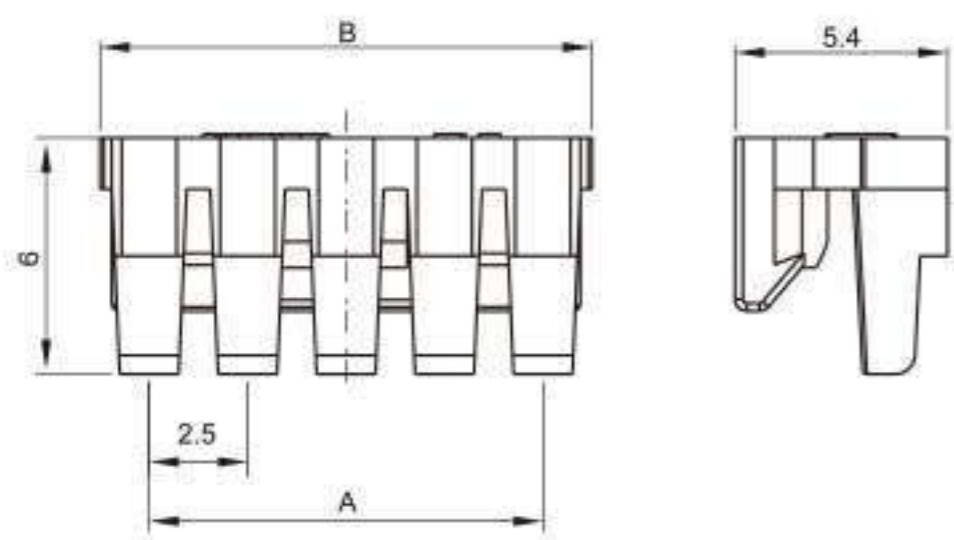
C25007-ANR (SM-NR)



母端塑件 RECEPTACLE

型号 Part No.	材质 Material	包装数量 Q'ty/bag	尺寸 Dimensions(mm)	
			A	B
C25007-A02R	PA66	1K	2.5	8.0
C25007-A03R		1K	5	10.5
C25007-A04R		1K	7.5	13.0
C25007-A05R		1K	10	15.5
C25007-A06R		1K	12.5	18.0

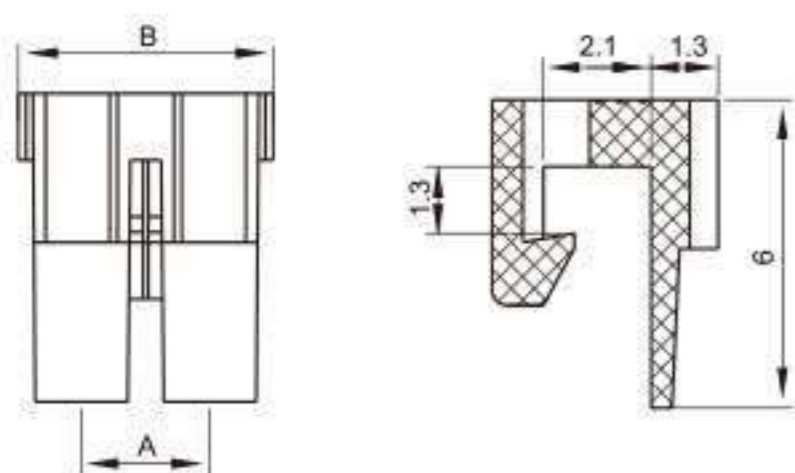
C25007-ANS(SM-NS)



锁片 TPA

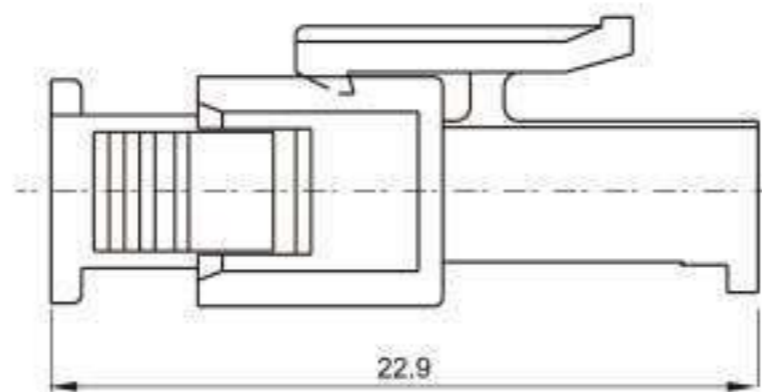
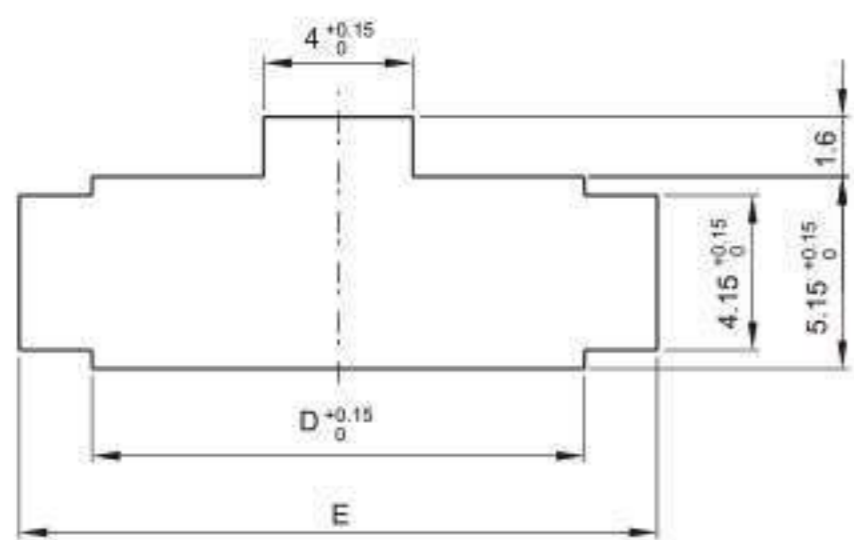
型号 Part No.	材质 Material	包装数量 Q'ty/bag	尺寸 Dimensions(mm)	
			A	B
C25007-A02S	PA66	2K	2.5	5.0
C25007-A03S		2K	5.0	7.5
C25007-A04S		2K	7.5	10.0
C25007-A05S		2K	10.0	12.5
C25007-A06S		2K	12.5	15.0

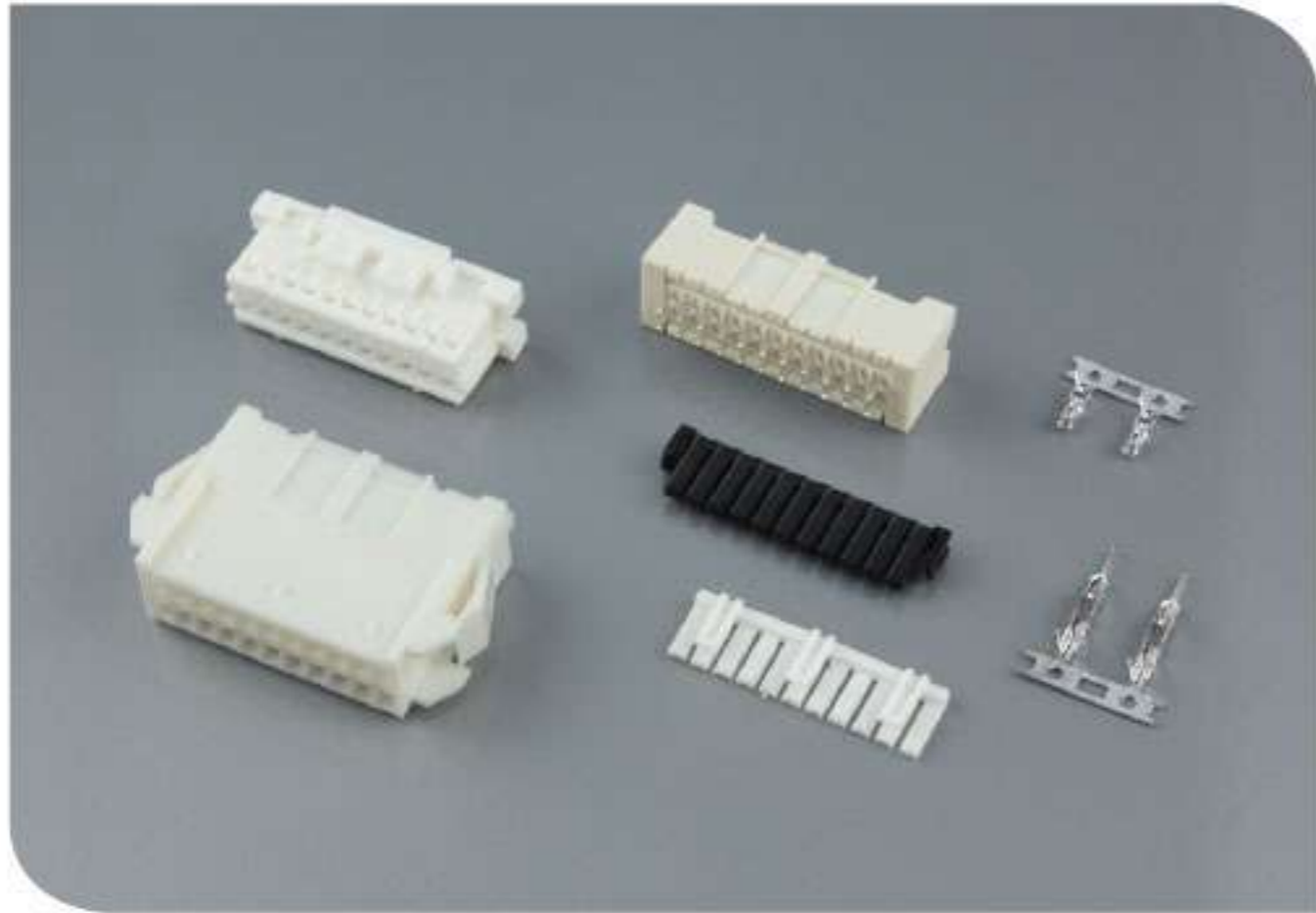
C25007-ANRS(SM-NRS)



锁片 TPA

型号 Part No.	材质 Material	包装数量 Q'ty/bag	尺寸 Dimensions(mm)	
			A	B
C25007-A02RS	PA66	2K	2.5	4.96
C25007-A03RS		2K	5.0	7.46
C25007-A04RS		2K	7.5	9.96
C25007-A05RS		2K	10.0	12.46
C25007-A06RS		2K	12.5	14.96





■ 技术参数 SPECIFICATIONS

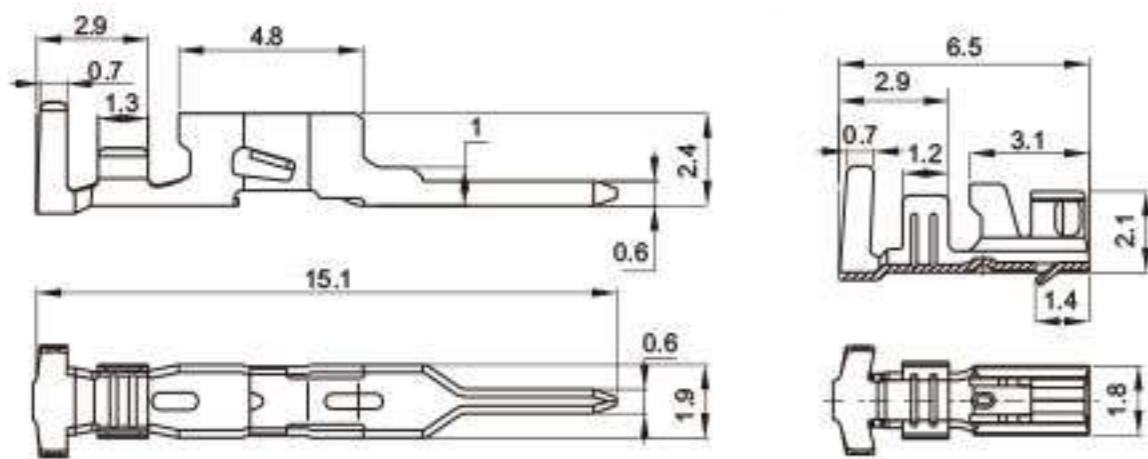
- 线数 Number of positions: 2~32
- 适用线规 Applicable wires: 26~20AWG
- 温度范围 Temperature range: -40°C~105°C
(including temperature rise in applying electrical current)
- 额定电压 Voltage rating: 220V AC, DC Max.
- 额定电流 Current rating: 3A AC, DC Max.
- 接触电阻 Contact resistance: ≤ 10mΩ
- 绝缘电阻 Insulation resistance: ≥ 1000MΩ
- 耐压 Withstanding voltage: 1000V AC/minute

*Compliant with RoHS.

C25008-01RT(SXAM-01T-P0.6)

C25008-02PT(SXA-001T-P0.6)
C25008-01PT(SXA-01T-P0.6)

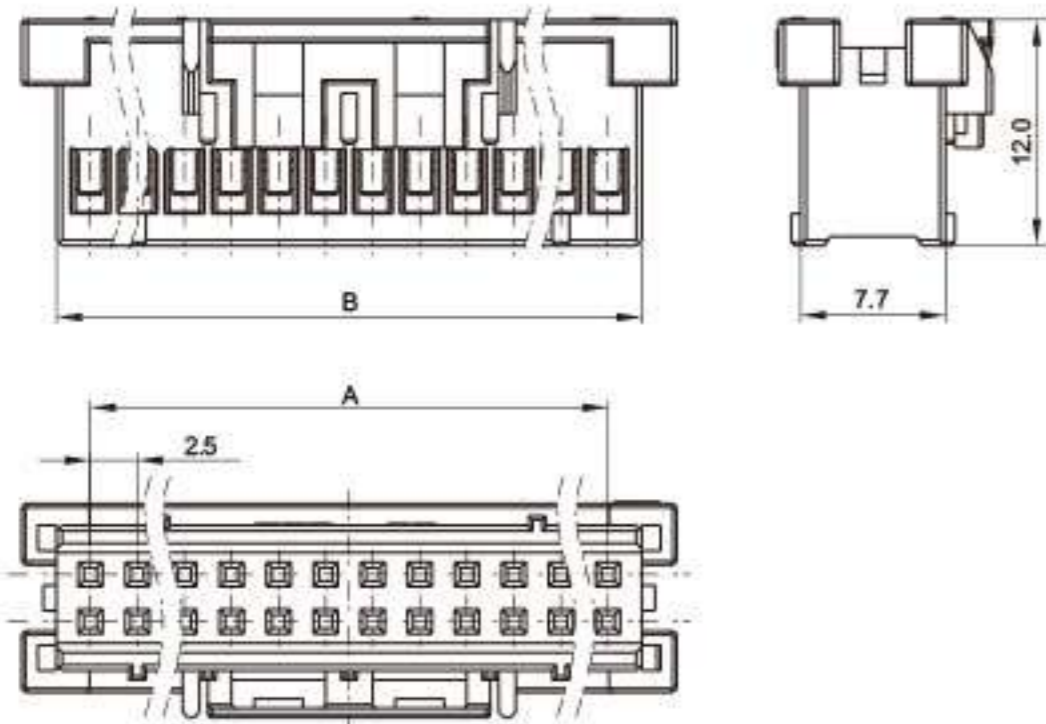
端子 TERMINAL



型号 Part No.	材质 Material	料厚 Thickness	线规 Applicable wires		电线外径 Wire insulation O.D. mm	镀层 Plating	包装数量 Q'ty/reel
			AWG#	线径 mm ²			
C25008-01RT	Phosphor bronze	0.2	26-22	0.13-0.33	1.3-1.7	Tin Plated	7K
C25008-01PT	Phosphor bronze	0.2	26-22	0.13-0.33	1.3-1.7	Tin Plated	7K
C25008-02PT	Phosphor bronze	0.2	24-20	0.22-0.5	1.5-2.6	Tin Plated	8K

公端塑件 PLUG HOUSING

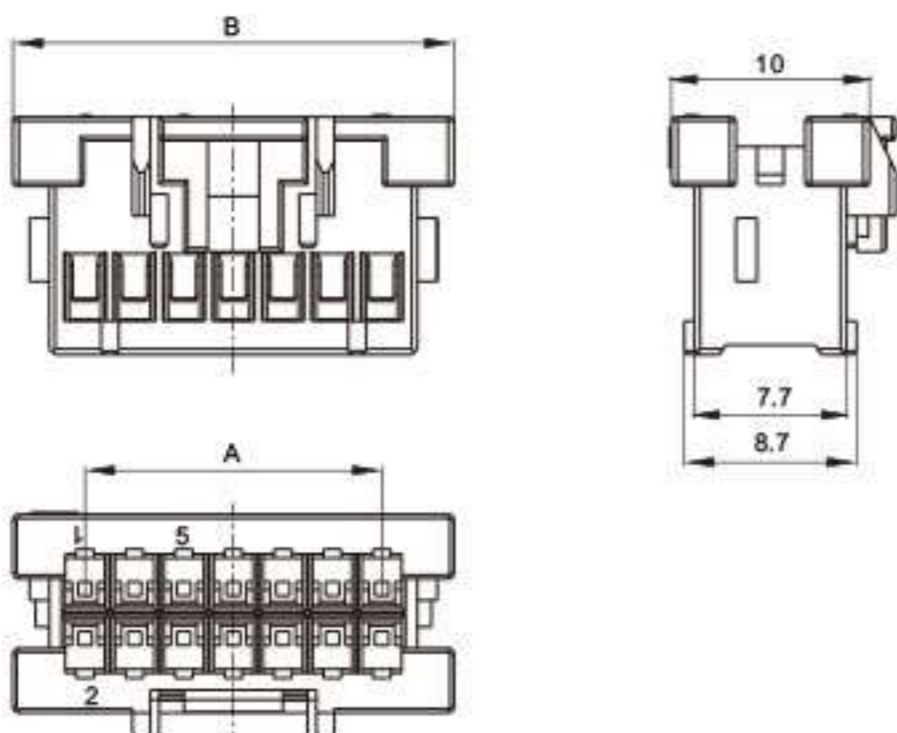
C25008-ANP (XADRP-NV)



型号 Part No.	材质 Material	包装数量 Q'ty/bag	尺寸 Dimensions(mm)	
			A	B
C25008-A08P	PA66	0.5K	7.5	14.8
C25008-A10P		0.5K	10.0	17.3
C25008-A12P		0.5K	12.5	19.8
C25008-A14P		0.5K	15.0	22.3
C25008-A16P		0.5K	17.5	24.8
C25008-A18P		0.5K	20.0	27.3
C25008-A20P		0.5K	22.5	29.8
C25008-A22P		0.5K	25.0	32.3
C25008-A24P		0.5K	27.5	34.8
C25008-A26P		0.5K	30.0	37.3
C25008-A28P		0.5K	32.5	39.8
C25008-A30P		0.5K	35.0	42.3
C25008-A32P		0.5K	37.5	44.8

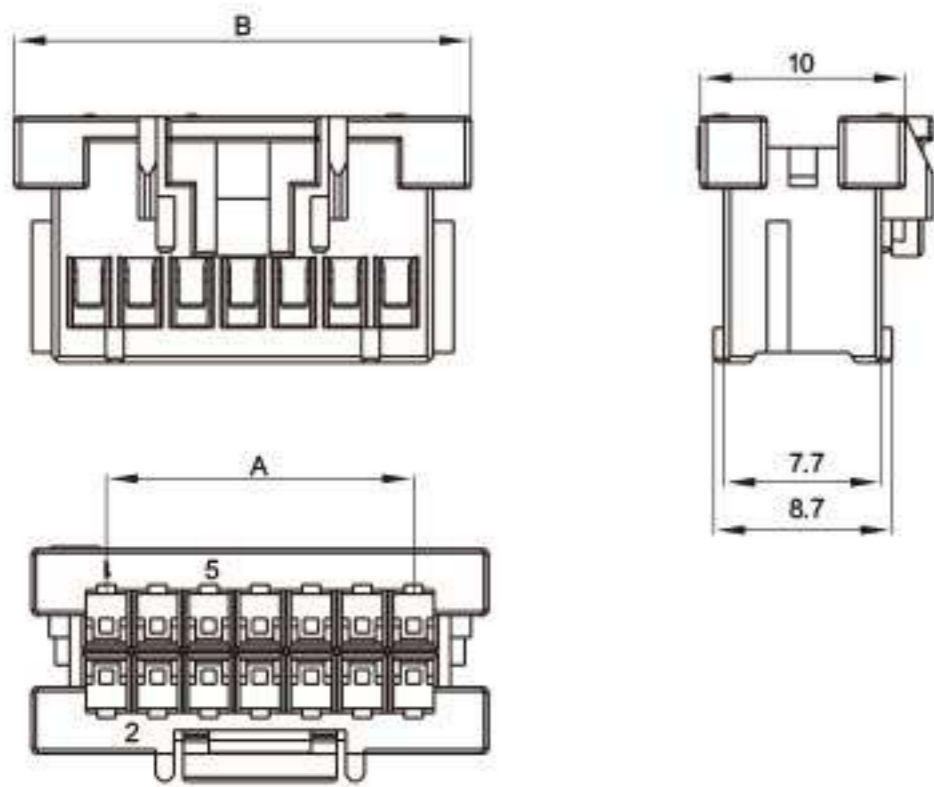
公端塑件 PLUG HOUSING

C25008-FNP (XADRP-B-NV)



型号 Part No.	材质 Material	包装数量 Q'ty/bag	尺寸 Dimensions(mm)	
			A	B
C25008-F08P	PA66	0.5K	7.5	14.8
C25008-F10P		0.5K	10.0	17.3
C25008-F12P		0.5K	12.5	19.8
C25008-F14P		0.5K	15.0	22.3
C25008-F16P		0.5K	17.5	24.8
C25008-F18P		0.5K	20.0	27.3
C25008-F20P		0.5K	22.5	29.8
C25008-F22P		0.5K	25.0	32.3
C25008-F24P		0.5K	27.5	34.8
C25008-F26P		0.5K	30.0	37.3
C25008-F28P		0.5K	32.5	39.8
C25008-F30P		0.5K	35.0	42.3
C25008-F32P		0.5K	37.5	44.8

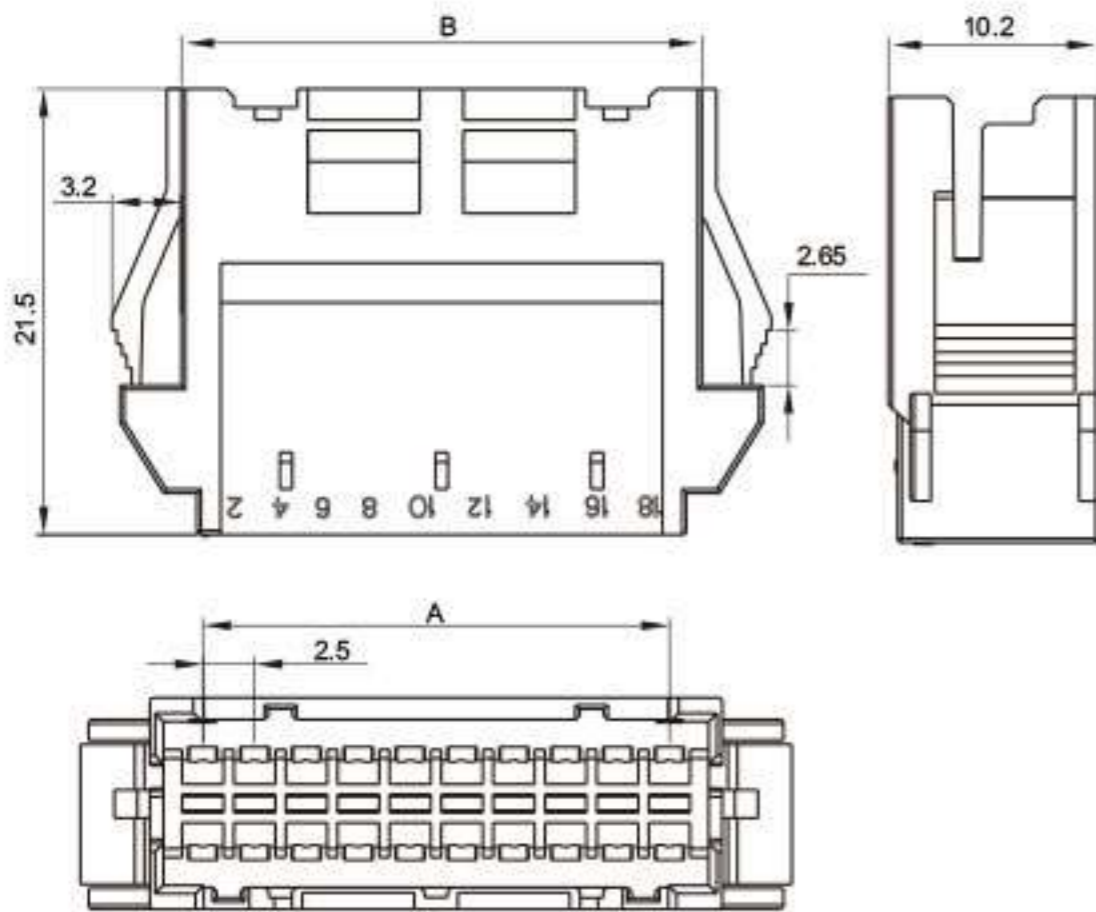
C25008-BNP(XADRP-C-NV)



公端塑件 PLUG HOUSING

型号 Part No.	材质 Material	包装数量 Q'ty/bag	尺寸 Dimensions(mm)	
			A	B
C25008-B08P	PA66	0.5K	7.5	14.8
C25008-B10P		0.5K	10.0	17.3
C25008-B12P		0.5K	12.5	19.8
C25008-B14P		0.5K	15.0	22.3
C25008-B16P		0.5K	17.5	24.8
C25008-B18P		0.5K	20.0	27.3
C25008-B20P		0.5K	22.5	29.8
C25008-B22P		0.5K	25.0	32.3
C25008-B24P		0.5K	27.5	34.8
C25008-B26P		0.5K	30.0	37.3
C25008-B28P		0.5K	32.5	39.8
C25008-B30P		0.5K	35.0	42.3

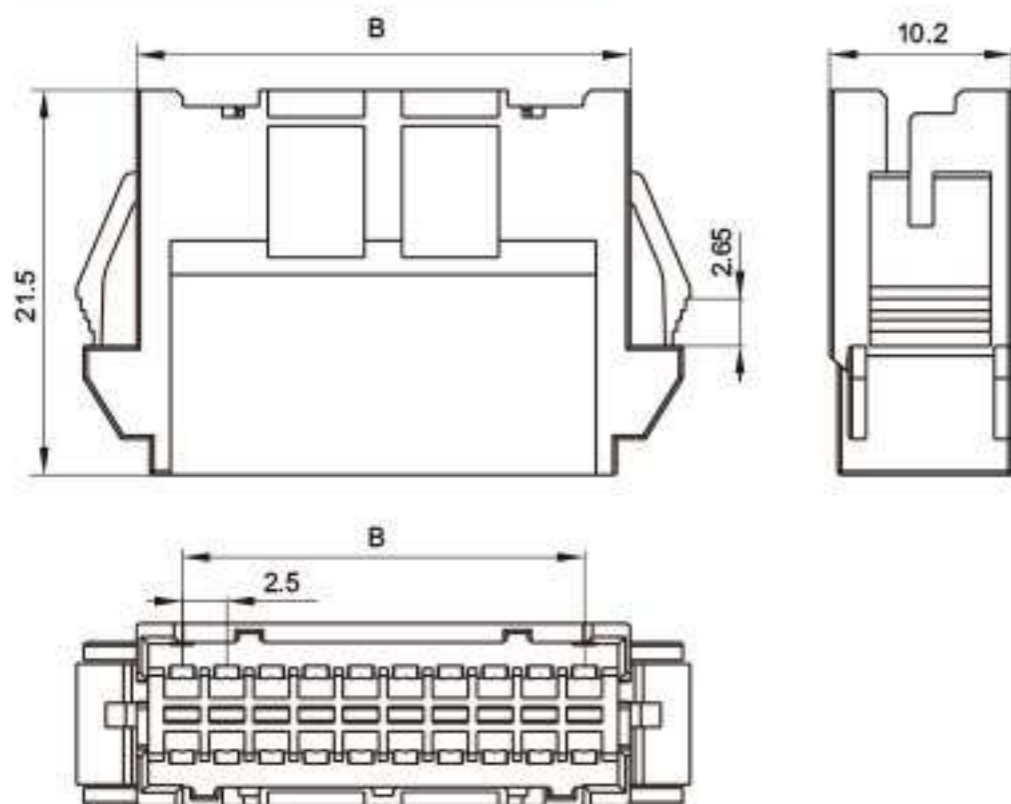
C25008-BNR (XADR-C-NV)



母端塑件 RECEPTACLE

型号 Part No.	材质 Material	包装数量 Q'ty/bag	尺寸 Dimensions(mm)	
			A	B
C25008-B08R	PA66	0.5K	7.5	12.6
C25008-B10R		0.5K	10.0	15.1
C25008-B12R		0.5K	12.5	17.6
C25008-B14R		0.5K	15.0	20.1
C25008-B16R		0.5K	17.5	22.6
C25008-B18R		0.5K	20.0	25.1
C25008-B20R		0.5K	22.5	27.6
C25008-B22R		0.5K	25.0	30.1
C25008-B24R		0.5K	27.5	32.6
C25008-B26R		0.5K	30.0	35.1
C25008-B28R		0.5K	32.5	37.6
C25008-B30R		0.5K	35.0	40.1

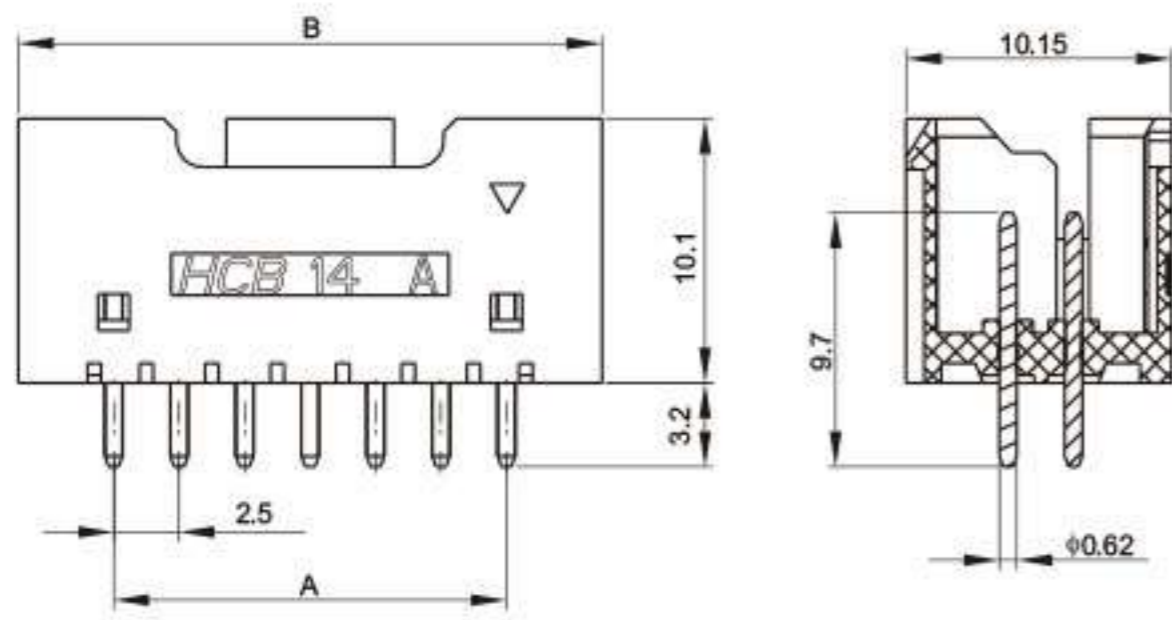
C25008-ANR (XADR-NV)



母端塑件 RECEPTACLE

型号 Part No.	材质 Material	包装数量 Q'ty/bag	尺寸 Dimensions(mm)	
			A	B
C25008-A08R	PA66	0.5K	7.5	12.6
C25008-A10R		0.5K	10.0	15.1
C25008-A12R		0.5K	12.5	17.6
C25008-A14R		0.5K	15.0	20.1
C25008-A16R		0.5K	17.5	22.6
C25008-A18R		0.5K	20.0	25.1
C25008-A20R		0.5K	22.5	27.6
C25008-A22R		0.5K	25.0	30.1
C25008-A24R		0.5K	27.5	32.6
C25008-A26R		0.5K	30.0	35.1

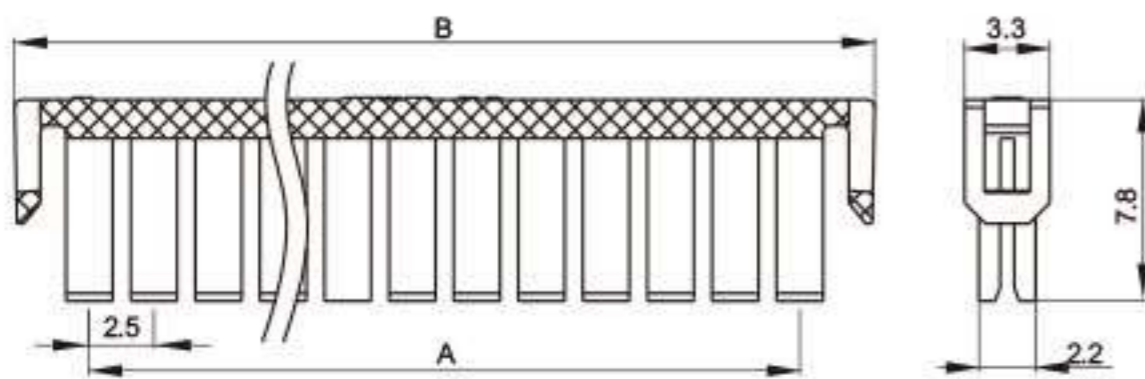
C25008-ANA/NAD(XAD-C-N)



针座 WAFER

型号 Part No.	材质 Material	包装数量 Q'ty/bag	尺寸 Dimensions(mm)	
			A	B
C25008-A08A/AD	PA66	0.2K	7.5	14.8
C25008-A10A/AD		0.17K	10.0	17.3
C25008-A12A/AD		0.15K	12.5	19.8
C25008-A14A/AD		0.13K	15.0	22.3
C25008-A16A/AD		0.12K	17.5	24.8
C25008-A18A/AD		0.1K	20.0	27.3
C25008-A20A/AD		0.1K	22.5	29.8
C25008-A22A/AD		0.9K	25.0	32.3
C25008-A24A/AD		0.08K	27.5	34.8
C25008-A26A/AD		0.08K	30.0	37.3
C25008-A28A/AD		0.07K	32.5	39.8
C25008-A30A/AD		0.07K	35.0	42.3
C25008-A32A/AD		0.06K	37.5	44.8

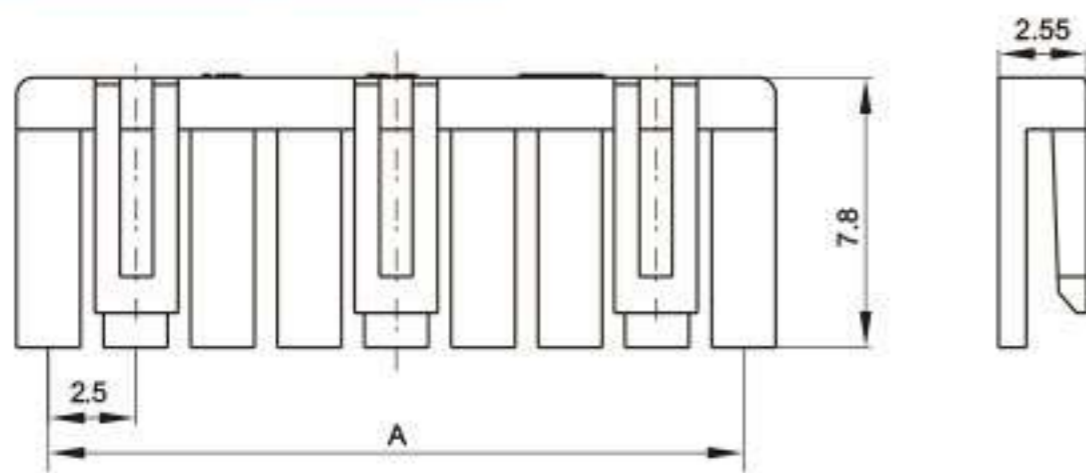
C25008-ANS (XADS-NV-K)



锁片 TPA

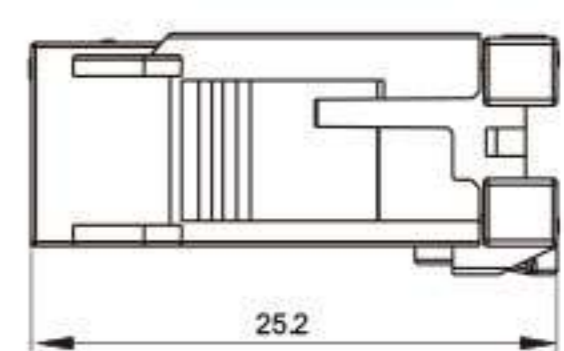
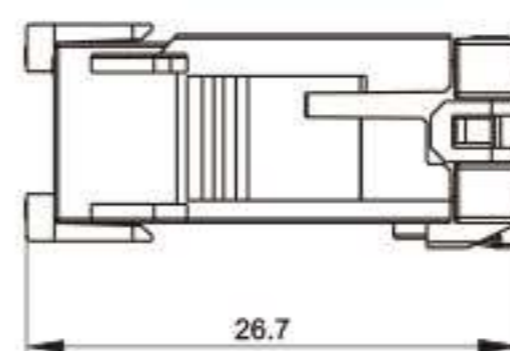
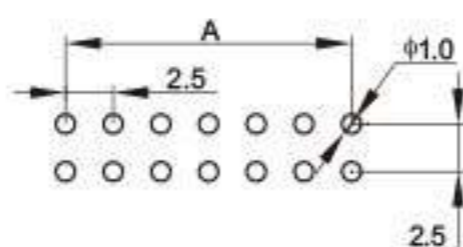
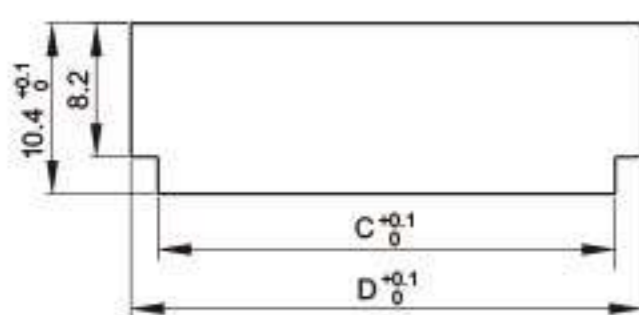
型号 Part No.	材质 Material	包装数量 Q'ty/bag	尺寸 Dimensions(mm)	
			A	B
C25008-A08S	PA66	1K	7.5	13.3
C25008-A10S		1K	10.0	15.8
C25008-A12S		1K	12.5	18.3
C25008-A14S		1K	15.0	20.8
C25008-A16S		1K	17.5	23.3
C25008-A18S		1K	20.0	25.8
C25008-A20S		1K	22.5	28.3
C25008-A22S		1K	25.0	30.8
C25008-A24S		1K	27.5	33.3
C25008-A26S		1K	30.0	35.8
C25008-A28S		1K	32.5	38.3
C25008-A30S		1K	35.0	40.8
C25008-A32S		1K	37.5	43.3

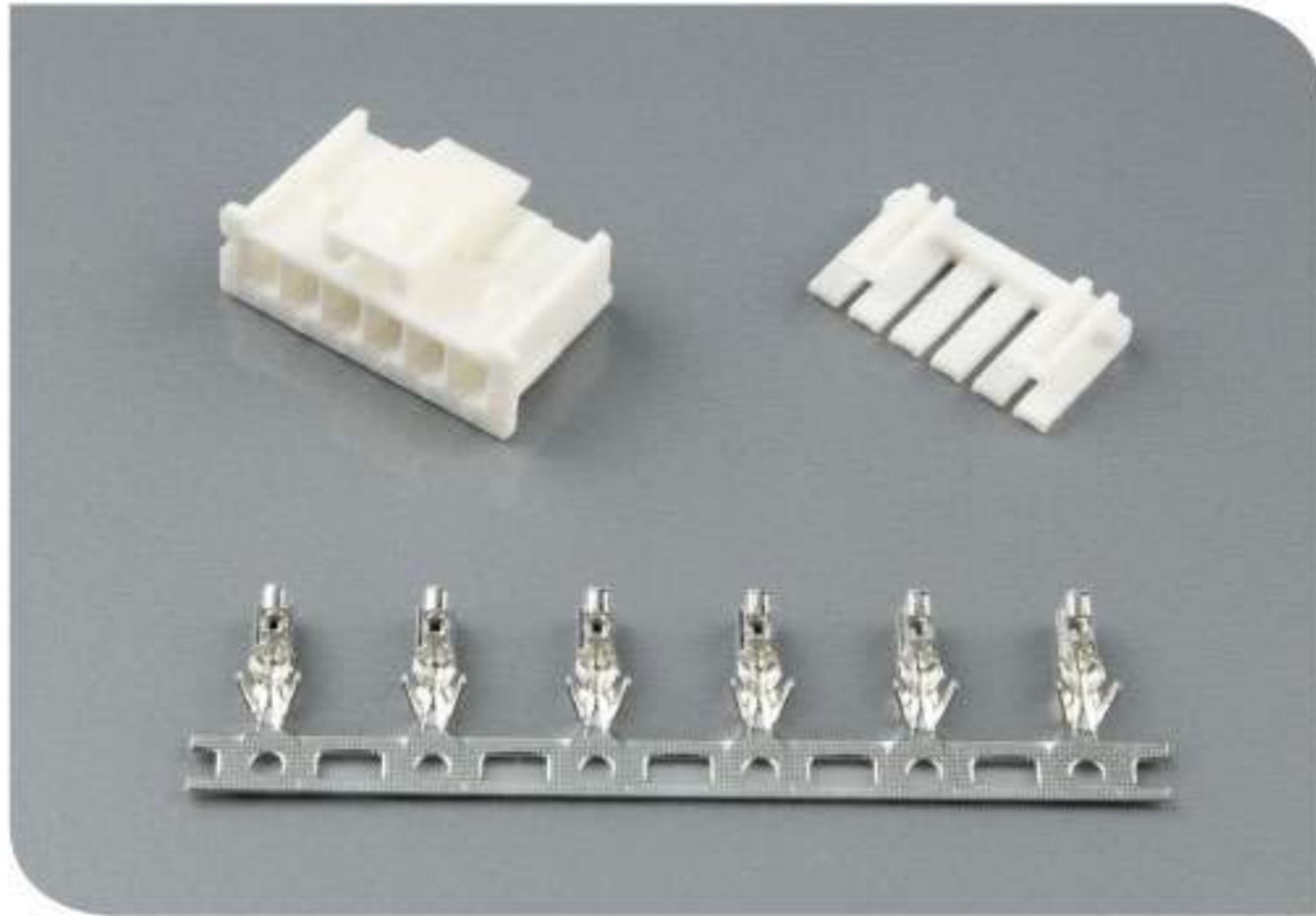
C25008-DNS (XMS-NV)



锁片 TPA

型号 Part No.	材质 Material	包装数量 Q'ty/bag	尺寸 Dimensions(mm)	
			A	B
C25008-D02S	PA66	2K	2.5	4.35
C25008-D03S		2K	5.0	6.85
C25008-D04S		1K	7.5	9.35
C25008-D05S		1K	10.0	11.85
C25008-D06S		1K	12.5	14.35
C25008-D07S		1K	15.0	16.85
C25008-D08S		1K	17.5	19.35
C25008-D09S		1K	20.0	21.85
C25008-D10S		1K	22.5	24.35
C25008-D11S		1K	25.0	26.85
C25008-D12S		1K	27.5	29.35
C25008-D13S		1K	30.0	31.85
C25008-D14S		1K	32.5	34.35
C25008-D15S		1K	35.0	36.85
C25008-D16S		1K	37.5	39.35





■ 技术参数 SPECIFICATIONS

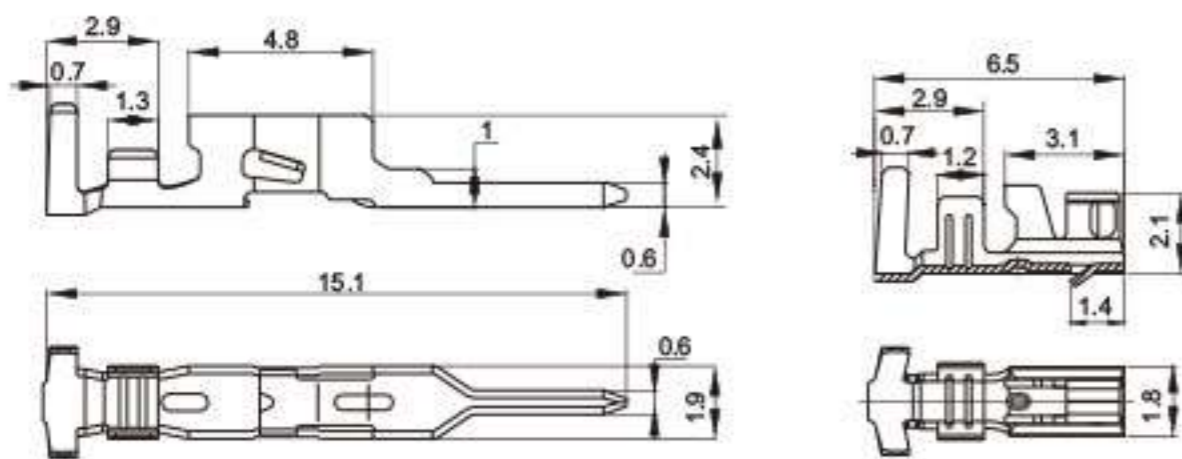
- 线数 Number of positions: 2~16
- 适用线规 Applicable wires: 26~22AWG
- 温度范围 Temperature range: -40°C~105°C
(including temperature rise in applying electrical current)
- 额定电压 Voltage rating: 250V AC, DC Max.
- 额定电流 Current rating: 3A AC, DC Max.
- 接触电阻 Contact resistance: ≤ 10mΩ
- 绝缘电阻 Insulation resistance: ≥ 1000MΩ
- 耐压 Withstanding voltage: 1000V AC/minute

*Compliant with RoHS.

C25008-01RT(SXAM-01T-P0.6)

C25008-02PT(SXA-001T-P0.6)
C25008-01PT(SXA-01T-P0.6)

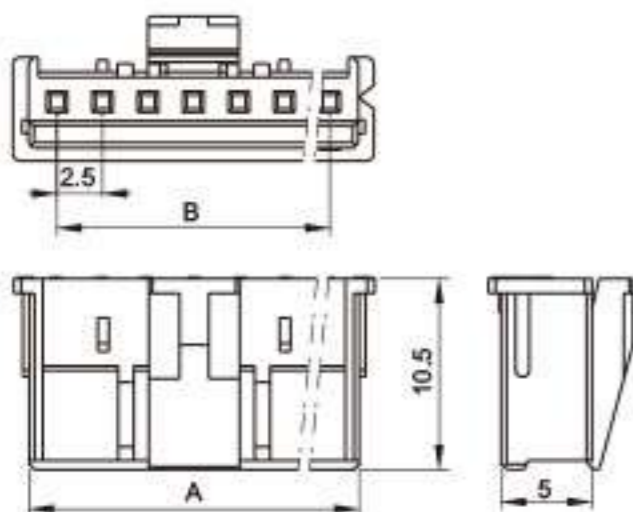
端子 TERMINAL



型号 Part No.	材质 Material	料厚 Thickness	线规 Applicable wires		电线外径 Wire insulation O.D. mm	镀层 Plating	包装数量 Q'ty/reel
			AWG#	线径 mm ²			
C25008-01RT	Phosphor bronze	0.2	26-22	0.13-0.33	1.3-1.7	Tin Plated	7K
C25008-01PT	Phosphor bronze	0.2	26-22	0.13-0.33	1.3-1.7	Tin Plated	8K
C25008-02PT	Phosphor bronze	0.2	24-20	0.22-0.5	1.5-2.6	Tin Plated	8K

C25008-CNP (XARP-NV)

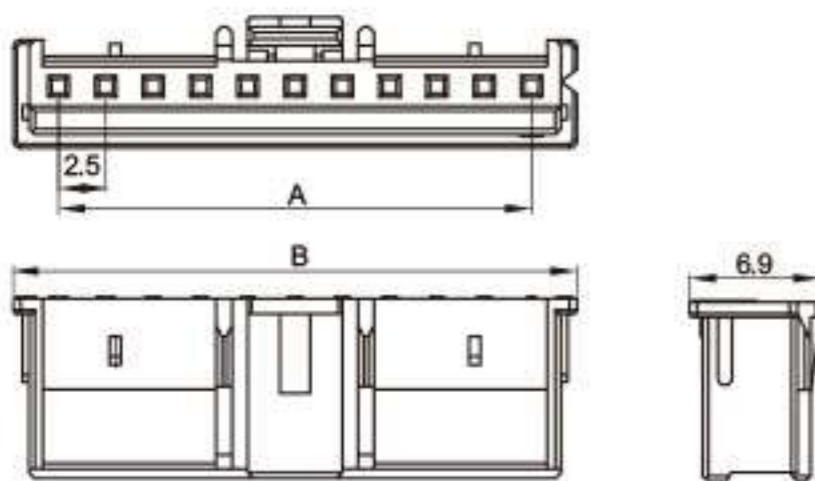
公端塑件 PLUG HOUSING



型号 Part No.	材质 Material	包装数量 Q'ty/bag	尺寸 Dimensions(mm)	
			A	B
C25008-C02P	PA66	1K	2.5	5.65
C25008-C03P		1K	5.0	8.15
C25008-C04P		1K	7.5	10.65
C25008-C05P		1K	10.0	13.15
C25008-C06P		1K	12.5	15.65
C25008-C07P		1K	15.0	18.15
C25008-C08P		1K	17.5	20.65
C25008-C09P		1K	20.0	23.15
C25008-C10P		1K	22.5	25.65
C25008-C11P		1K	25.0	28.15
C25008-C12P		1K	27.5	30.65
C25008-C13P		1K	30.0	33.15
C25008-C14P		1K	32.5	35.65
C25008-C15P		1K	35.0	38.15

C25008-ENP(XAP-NV-1)

公端塑件 PLUG HOUSING

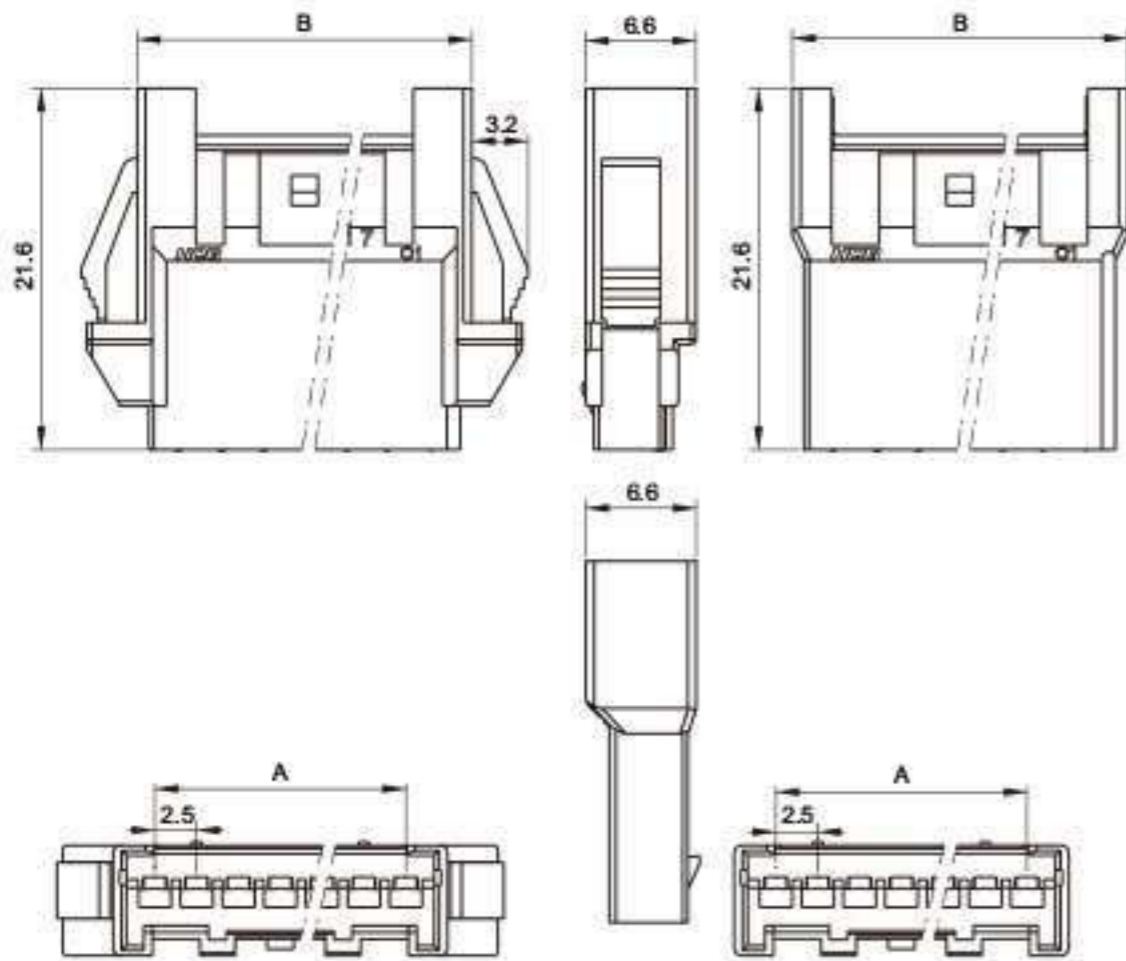


型号 Part No.	材质 Material	包装数量 Q'ty/bag	尺寸 Dimensions(mm)	
			A	B
C25008-E03P	PA66	1K	5.0	9.8
C25008-E05P		1K	10.0	14.8
C25008-E09P		1K	20.0	24.8
C25008-E11P		1K	25.0	29.8

C25008-CNR (XARR-NV)

C25008-CNRF (XARR-NVF)

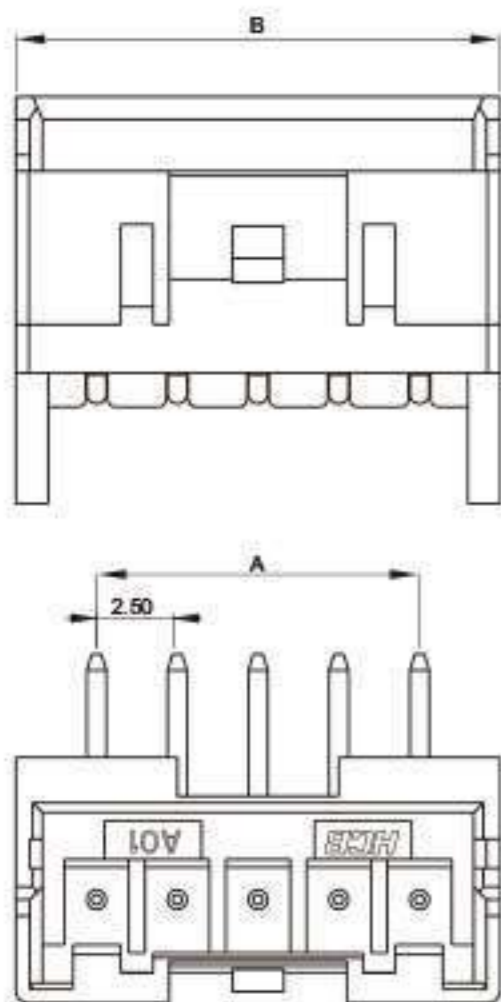
母端塑件 RECEPTACLE



型号 Part No.	材质 Material	包装数量 Q'ty/bag	尺寸 Dimensions(mm)			
			A	B	C	D
C25008-C02R C25008-C02RF	PA66	1K	2.5	7.5	7.9	11.2
C25008-C03R C25008-C03RF		1K	5.0	10.0	10.4	13.7
C25008-C04R C25008-C04RF		1K	7.5	12.5	12.9	16.2
C25008-C05R C25008-C05RF		1K	10.0	15.0	15.4	18.7
C25008-C06R C25008-C06RF		1K	12.5	17.5	17.9	21.2
C25008-C07R C25008-C07RF		1K	15.0	20.0	20.4	23.7
C25008-C08R C25008-C08RF		1K	17.5	22.5	22.9	26.2
C25008-C09R C25008-C09RF		1K	20.0	25.0	25.4	28.7

C25008-BNAW(SNB-XASS-1B-BN)

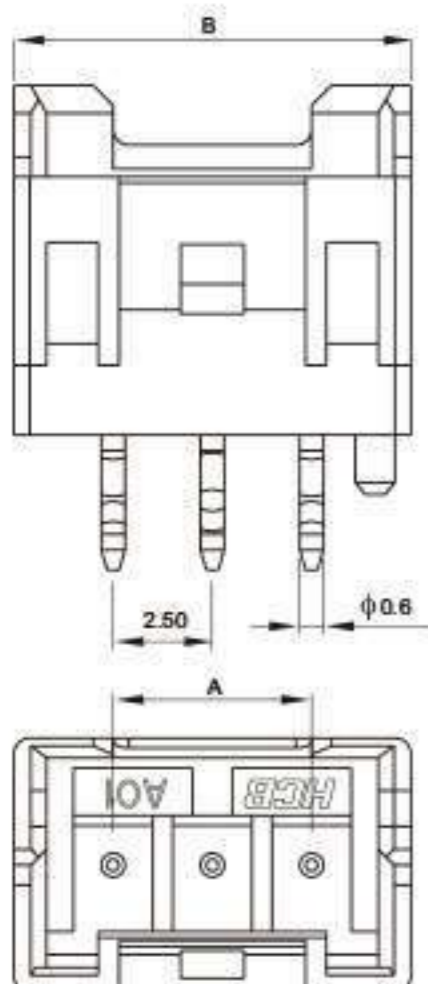
针座 WAFER



型号 Part No.	材质 Material	包装数量 Q'ty/bag	尺寸 Dimensions(mm)	
			A	B
C25008-B04AW	PA66	1K	7.5	12.5
C25008-B05AW		1K	10.0	15.0
C25008-B06AW		1K	12.5	17.5
C25008-B07AW		1K	15.0	20.0

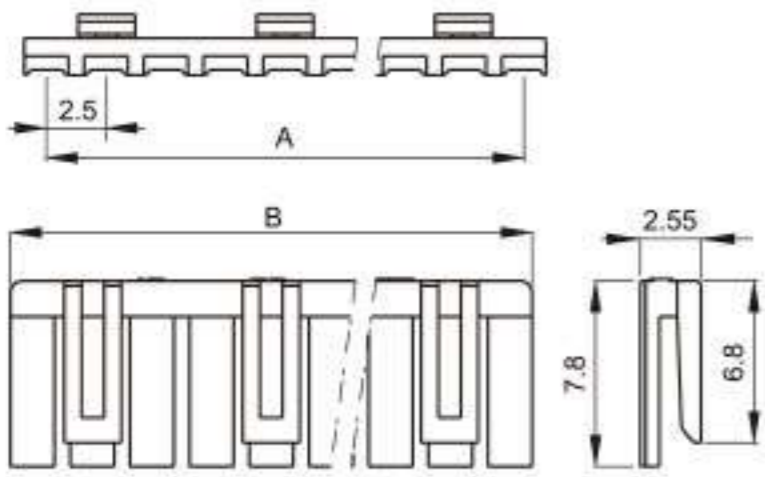
C25008-BNAD(BNB-XASK-1-A)

针座 WAFER

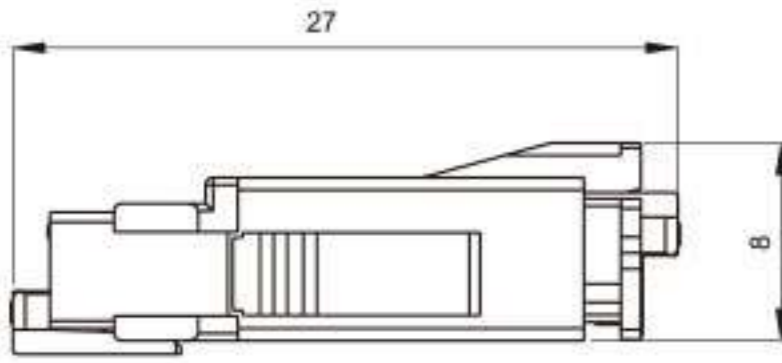


型号 Part No.	材质 Material	包装数量 Q'ty/bag	尺寸 Dimensions(mm)	
			A	B
C25008-B03AD	PA66	1K	5.0	10.0
C25008-B04AD		1K	7.5	12.5
C25008-B05AD		1K	12.5	17.5
C25008-B06AD		1K	15.0	20.0
C25008-B07AD		1K	17.5	22.5
C25008-B08AD		1K	20.0	25.0
C25008-B09AD		1K	22.5	27.5
C25008-B10AD		1K	25.0	30.0
C25008-B11AD		1K	27.5	32.5
C25008-B12AD		1K	30.0	35.0
C25008-B13AD		1K	32.5	37.5
C25008-B14AD		1K	35.0	40.0
C25008-B15AD		1K	37.5	42.5
C25008-B16AD		1K	40.0	45.0

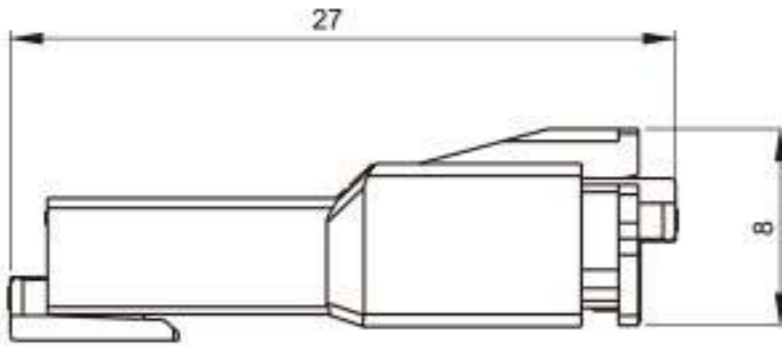
C25008-DNS(XMS-NV)



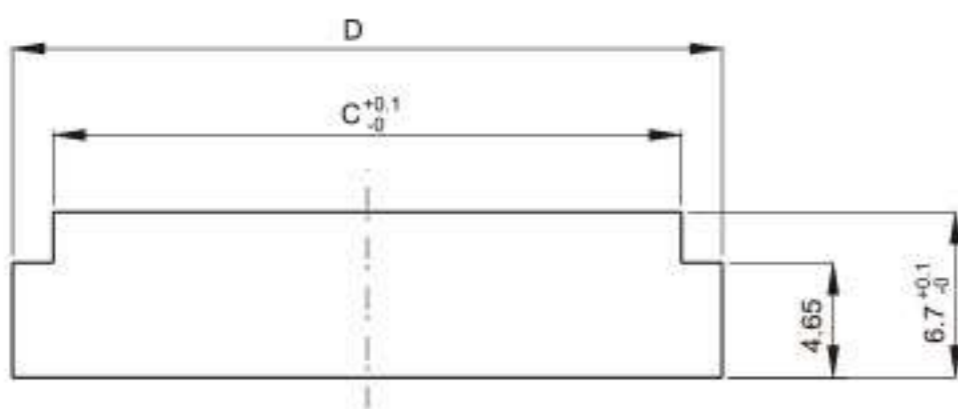
(C25008-CNP+C25008-CNR+C25008-DNS)
XARP-NV+XARR-NV+XMS-NV



(C25008-CNP+C25008-CNR+C25008-DNS)
XARP-NV+XARR-NV+XMS-NV

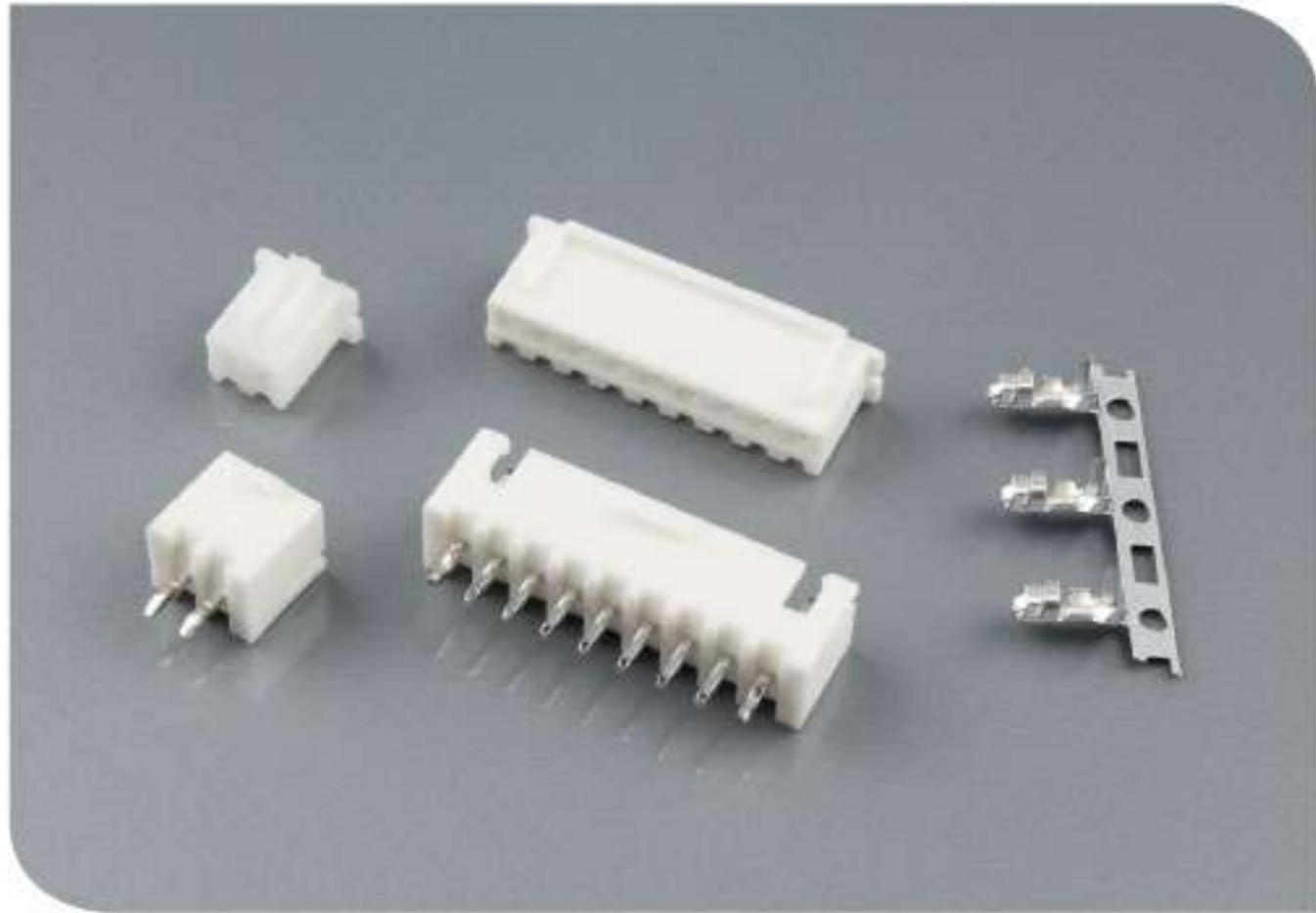


XARR-NV 卡板



锁片 TPA

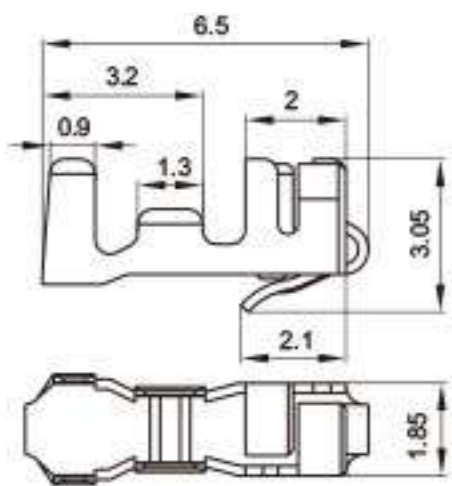
型号 Part No.	材质 Material	包装数量 Q'ty/bag	尺寸 Dimensions(mm)	
			A	B
C25008-D02S	PA66	1K	2.5	4.35
C25008-D03S		1K	5.0	6.85
C25008-D04S		1K	7.5	9.35
C25008-D05S		1K	10.0	11.85
C25008-D06S		1K	12.5	14.35
C25008-D07S		1K	15.0	16.85
C25008-D08S		1K	17.5	19.35
C25008-D09S		1K	20.0	21.85
C25008-D10S		1K	22.5	24.35
C25008-D11S		1K	25.0	26.85
C25008-D12S		1K	27.5	29.35
C25008-D13S		1K	30.0	31.85
C25008-D14S		1K	32.5	34.35
C25008-D15S		1K	35.0	36.85
C25008-D16S		1K	37.5	39.35



■ 技术参数 SPECIFICATIONS

- 线数 Number of positions: 2~14
 - 适用线规 Applicable wires: 26~22AWG
 - 温度范围 Temperature range: -40°C~105°C
(including temperature rise in applying electrical current)
 - 额定电压 Voltage rating: 250V AC, DC Max.
 - 额定电流 Current rating: 3A AC, DC Max.
 - 接触电阻 Contact resistance: ≤ 10mΩ
 - 绝缘电阻 Insulation resistance: ≥ 1000MΩ
 - 耐压 Withstanding voltage: 1000V AC/minute
- *Compliant with RoHS.

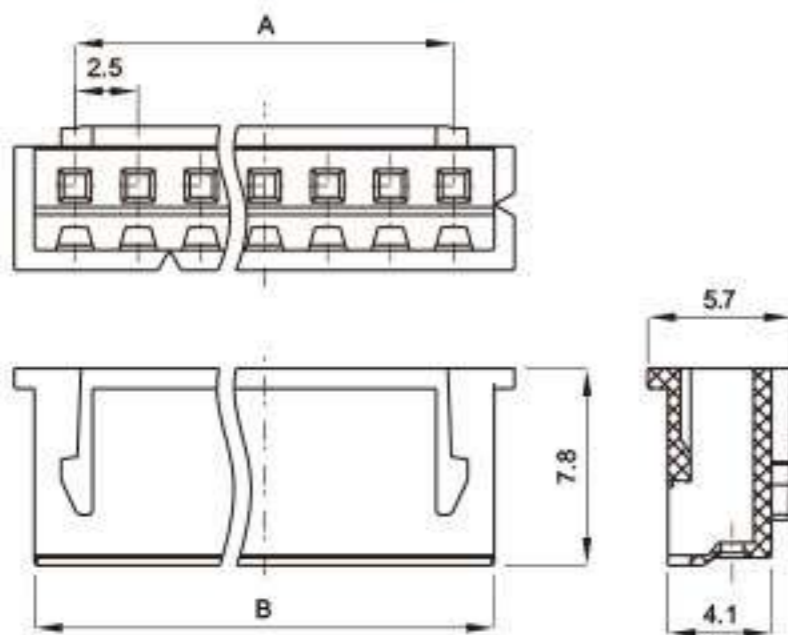
C25009-01PT(XH-PT)
C25009-00PT(XH-PT-1)



端子 TERMINAL

型号 Part No.	材质 Material	料厚 Thickness	线规 Applicable wires		电线外径 Wire insulation O.D. mm	镀层 Plating	包装数量 Q'ty/reel
			AWG#	线径 mm ²			
C25009-00PT	Phosphor bronze	0.2	26-22	0.13-0.33	1.3-1.7	Tin Plated	6K
C25009-01PT	Phosphor bronze	0.2	24-20	0.22-0.5	1.5-2.6	Tin Plated	6K

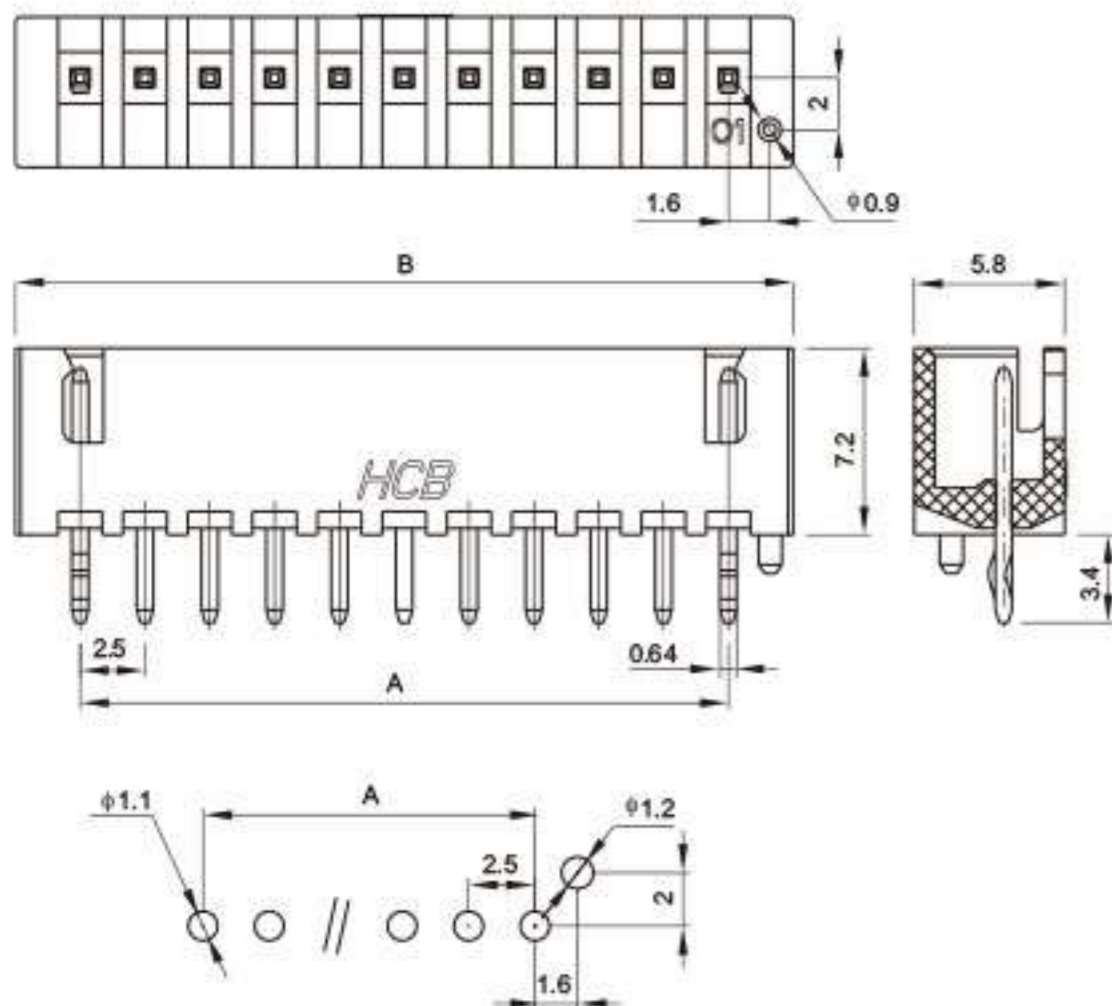
C25009-ANP (XH-NY)



公端塑件 PLUG HOUSING

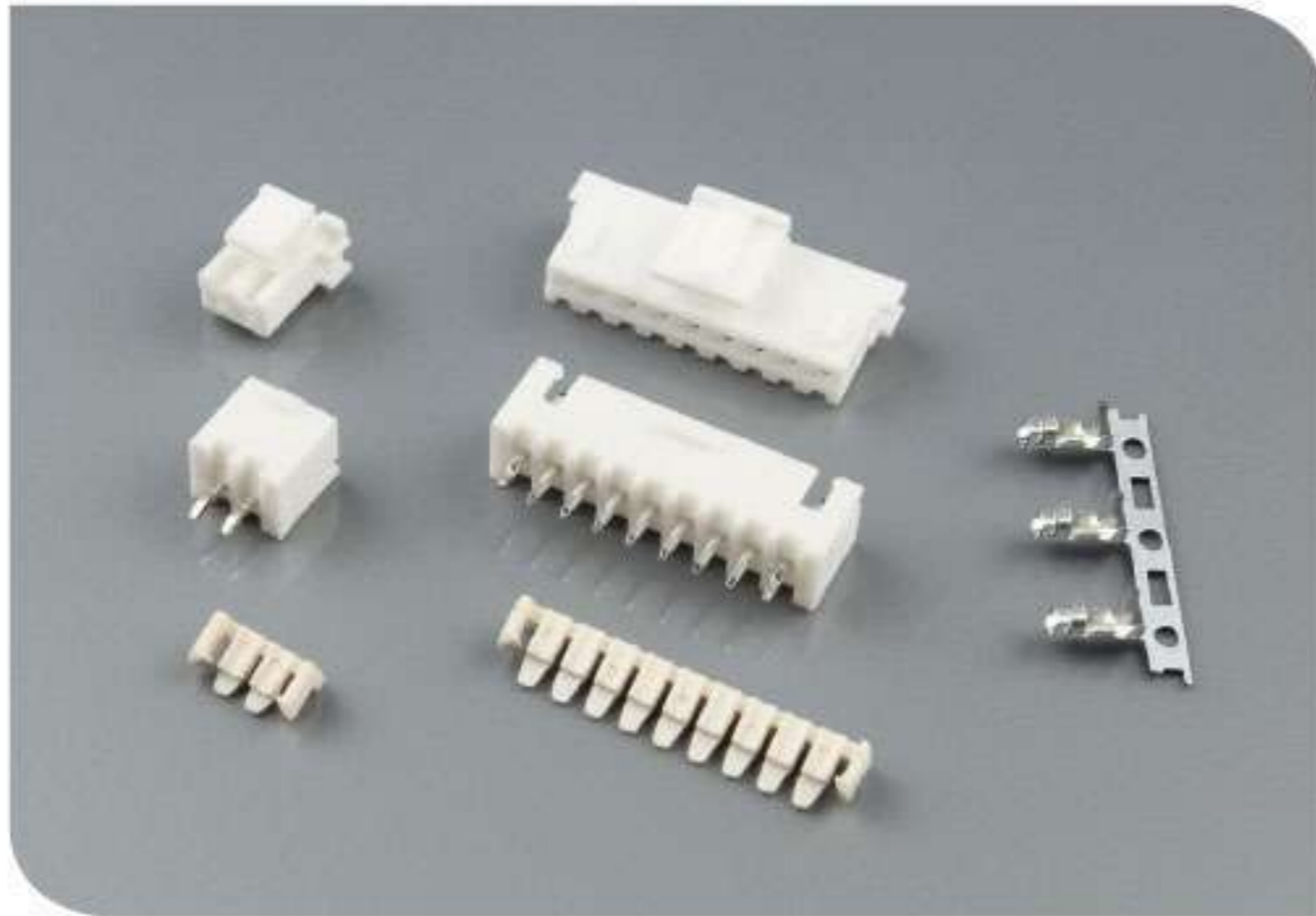
型号 Part No.	材质 Material	包装数量 Q'ty/bag	尺寸 Dimensions(mm)	
			A	B
C25009-A02P	PA66	1K	2.5	5.7
C25009-A03P		1K	5.0	8.2
C25009-A04P		1K	7.5	10.7
C25009-A05P		1K	10.0	13.2
C25009-A06P		1K	12.5	15.7
C25009-A07P		1K	15.0	18.2
C25009-A08P		1K	17.5	20.7
C25009-A09P		1K	20.0	23.2
C25009-A10P		1K	22.5	25.7
C25009-A11P		1K	25.0	28.2

C25009-ANAD (XH-NAD)



针座 WAFER

型号 Part No.	材质 Material	包装数量 Q'ty/bag	尺寸 Dimensions(mm)	
			A	B
C25009-A02AD	PA66	1K	2.5	7.5
C25009-A03AD		1K	5.0	10.0
C25009-A04AD		1K	7.5	12.5
C25009-A05AD		1K	10.0	15.0
C25009-A06AD		1K	12.5	17.5
C25009-A07AD		1K	15.0	20.0
C25009-A08AD		1K	17.5	22.5
C25009-A09AD		1K	20.0	25.0
C25009-A10AD		1K	22.5	27.5
C25009-A11AD		1K	25.0	30.0
C25009-A12AD		1K	27.5	32.5
C25009-A13AD		1K	30.0	35.0
C25009-A14AD		1K	32.5	37.5

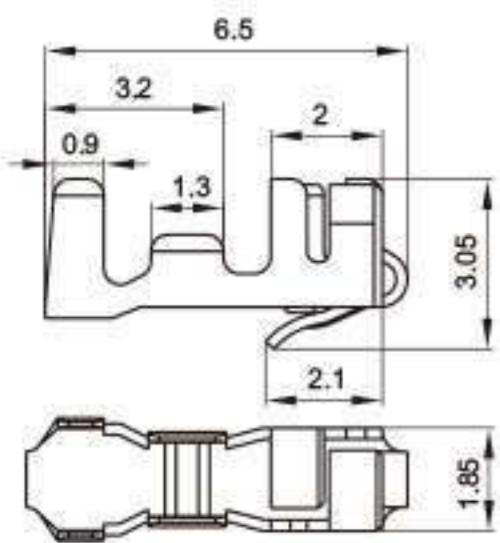


■ 技术参数 SPECIFICATIONS

- 线数 Number of positions: 2~14
- 适用线规 Applicable wires: 26~22AWG
- 温度范围 Temperature range: -40°C~105°C
(including temperature rise in applying electrical current)
- 额定电压 Voltage rating: 250V AC, DC Max.
- 额定电流 Current rating: 3A AC, DC Max.
- 接触电阻 Contact resistance: ≤ 10mΩ
- 绝缘电阻 Insulation resistance: ≥ 1000MΩ
- 耐压 Withstanding voltage: 1000V AC/minute

*Compliant with RoHS.

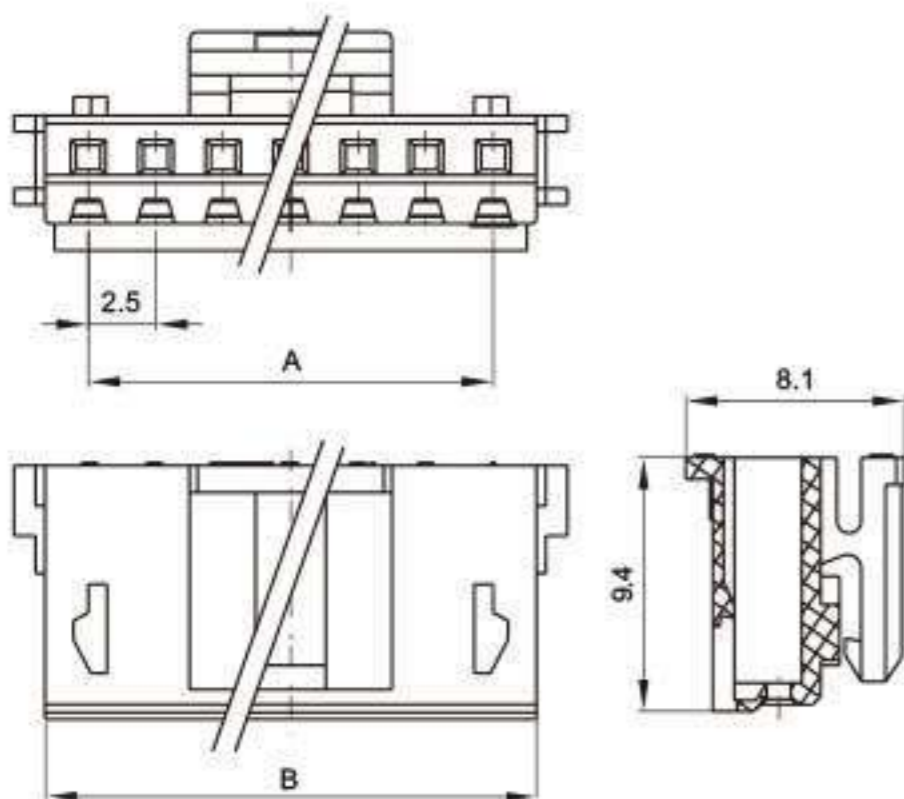
C25009-01PT(XH-PT)
C25009-00PT(XH-PT-1)



端子 TERMINAL

型号 Part No.	材质 Material	料厚 Thickness	线规 Applicable wires		电线外径 Wire insulation O.D. mm	镀层 Plating	包装数量 Q'ty/reel
			AWG#	线径 mm ²			
C25009-00PT	Phosphor bronze	0.2	26~22	0.13~0.33	1.3~1.7	Tin Plated	6K
C25009-01PT	Phosphor bronze	0.2	24~20	0.22~0.5	1.5~2.6	Tin Plated	6K

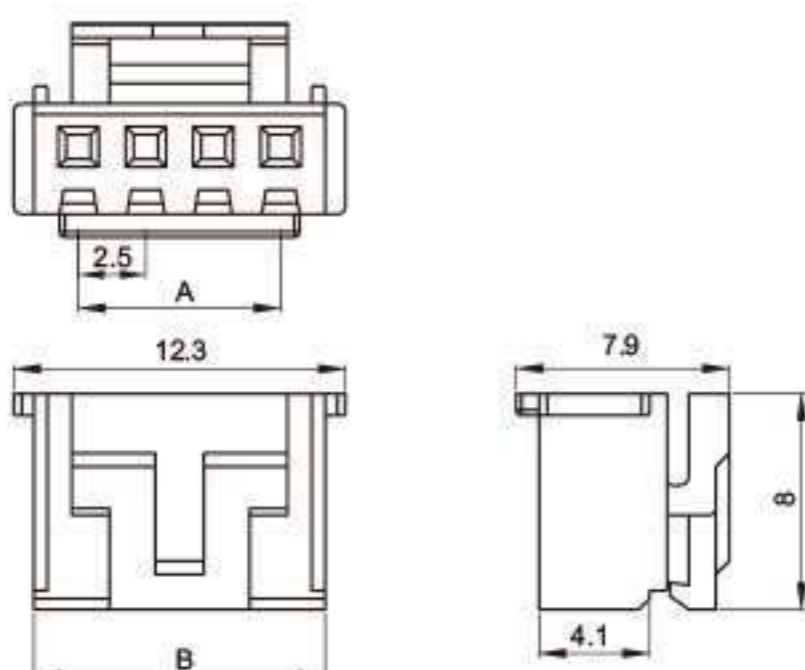
C25009-BNP (XHS-NY)



公端塑件 PLUG HOUSING

型号 Part No.	材质 Material	包装数量 Q'ty/bag	尺寸 Dimensions(mm)	
			A	B
C25009-B02P	PA66	1K	2.5	5.7
C25009-B03P		1K	5.0	8.2
C25009-B04P		1K	7.5	10.7
C25009-B05P		1K	10.0	13.2
C25009-B06P		1K	12.5	15.7
C25009-B07P		1K	15.0	18.2
C25009-B08P		1K	17.5	20.7
C25009-B09P		1K	20.0	23.2
C25009-B10P		1K	22.5	25.7
C25009-B11P		1K	25.0	28.2
C25009-B12P		1K	27.5	30.7
C25009-B13P		1K	30.0	33.2
C25009-B14P		1K	32.5	35.7

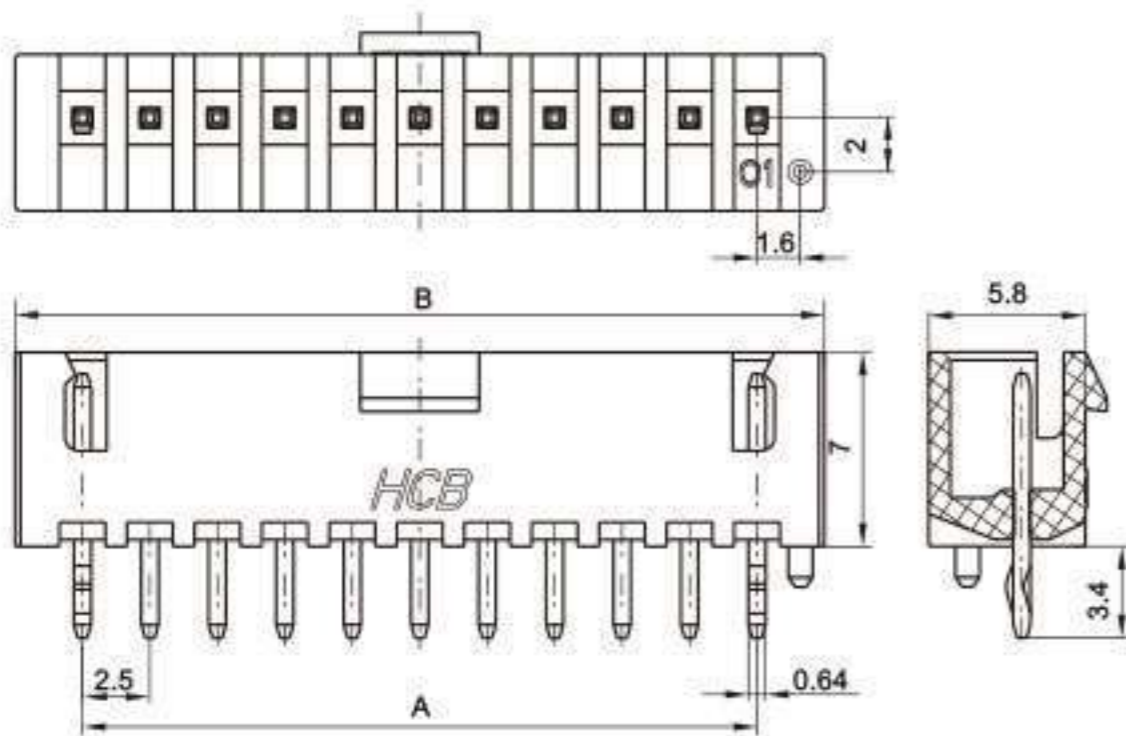
C25009-ENP(XHB-NY)



公端塑件 PLUG HOUSING

型号 Part No.	材质 Material	包装数量 Q'ty/bag	尺寸 Dimensions(mm)	
			A	B
C25009-E04P	PA66	0.5K	7.5	10.8
C25009-E09P		0.5K	20.0	23.3
C25009-E10P		0.5K	22.5	25.8

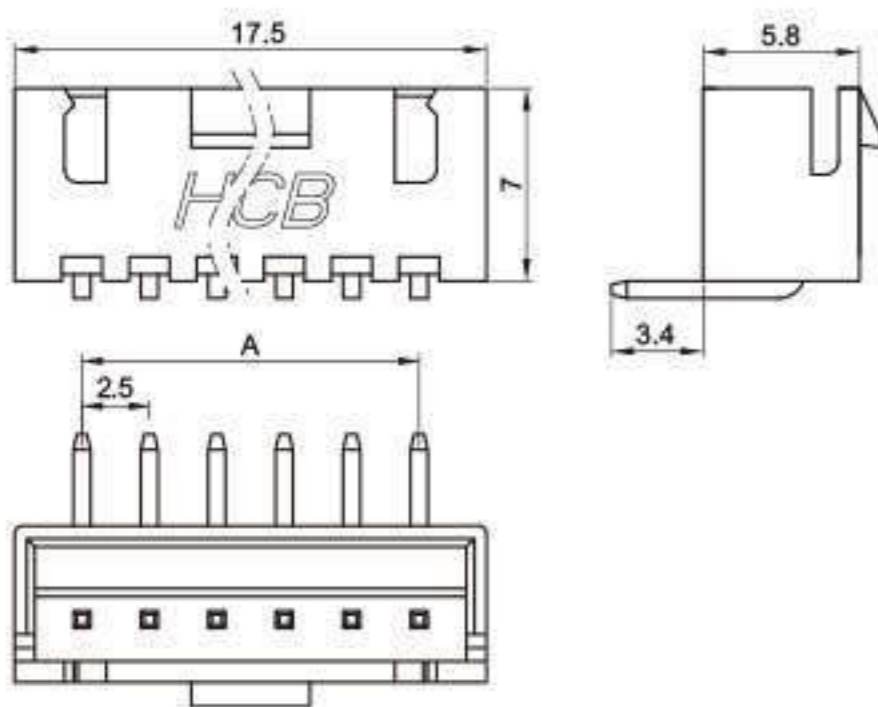
C25009-BNAD (XH-NAD)



针座 WAFER

型号 Part No.	材质 Material	包装数量 Q'ty/bag	尺寸 Dimensions(mm)	
			A	B
C25009-B02AD	PA66	0.5K	2.5	7.5
C25009-B03AD		0.5K	5.0	10.0
C25009-B04AD		0.5K	7.5	12.5
C25009-B05AD		0.5K	10.0	15.0
C25009-B06AD		0.5K	12.5	17.5
C25009-B07AD		0.5K	15.0	20.0
C25009-B08AD		0.5K	17.5	22.5
C25009-B09AD		0.5K	20.0	25.0
C25009-B10AD		0.5K	22.5	27.5
C25009-B14AD		0.5K	32.5	37.5

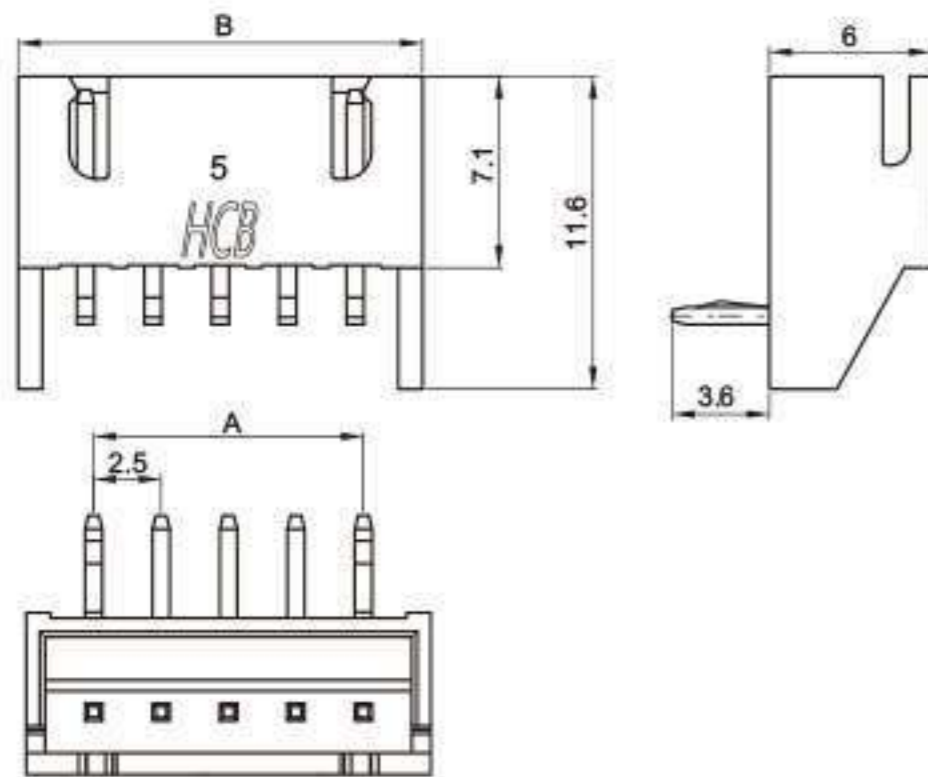
C25009-BNAW (XHS-NAW)



针座 WAFER

型号 Part No.	材质 Material	包装数量 Q'ty/bag	尺寸 Dimensions(mm)	
			A	B
C25009-B03AW	PA66	0.5K	5.0	10.0
C25009-B04AW		0.5K	7.5	12.5
C25009-B05AW		0.5K	10.0	15.0
C25009-B06AW		0.5K	12.5	17.5
C25009-B07AW		0.5K	15.0	20.0
C25009-B08AW		0.5K	17.5	22.5
C25009-B09AW		0.5K	20.0	25.0
C25009-B10AW		0.5K	22.5	27.5
C25009-B11AW		0.5K	25.0	30.0
C25009-B14AW		0.5K	32.5	37.5

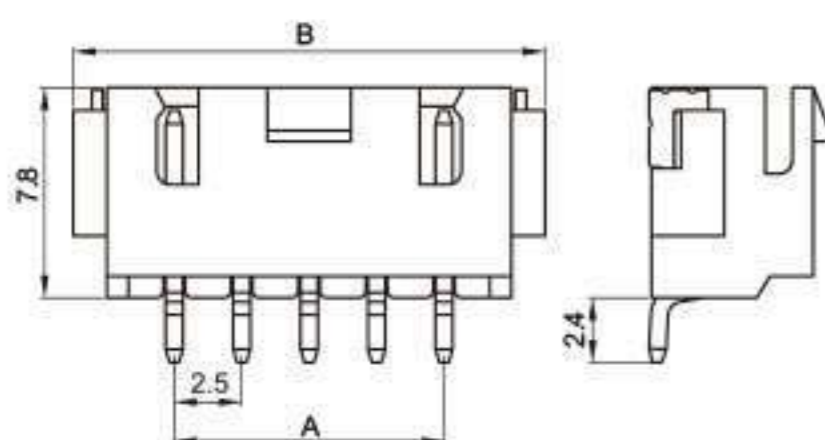
C25009-BNAWD (XHS-NAWD)



针座 WAFER

型号 Part No.	材质 Material	包装数量 Q'ty/bag	尺寸 Dimensions(mm)	
			A	B
C25009-B03AWD	PA66	0.5K	5.0	10.0
C25009-B04AWB		0.5K	7.5	12.5
C25009-B05AWB		0.5K	10.0	15.0
C25009-B06AWB		0.5K	12.5	17.5
C25009-B07AWB		0.5K	15.0	20.0
C25009-B08AWB		0.5K	17.5	22.5
C25009-B09AWB		0.5K	20.0	25.0

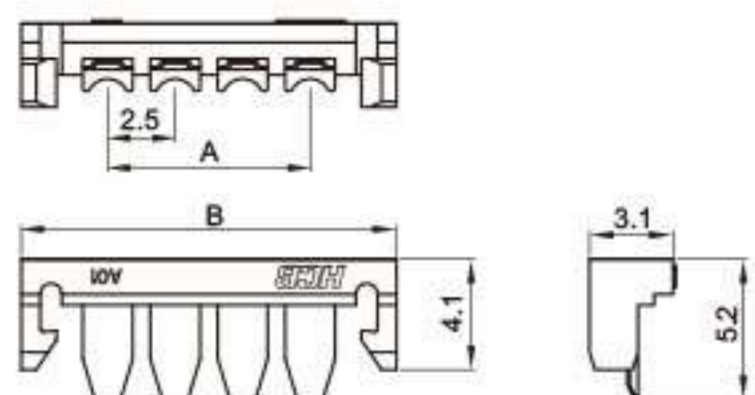
C25009-BNAWB (XHS-NAWB)



针座 WAFER

型号 Part No.	材质 Material	包装数量 Q'ty/bag	尺寸 Dimensions(mm)	
			A	B
C25009-B02AWB	PA10T	1K	2.5	10.0
C25009-B03AWB		1K	5.0	12.5
C25009-B04AWB		1K	7.5	15.0
C25009-B05AWB		1K	10.0	17.5
C25009-B06AWB		1K	12.5	20.0
C25009-B07AWB		1K	15.0	22.5
C25009-B08AWB		1K	17.5	25.0
C25009-B09AWB		1K	20.0	27.5
C25009-B10AWB		1K	22.5	30.0

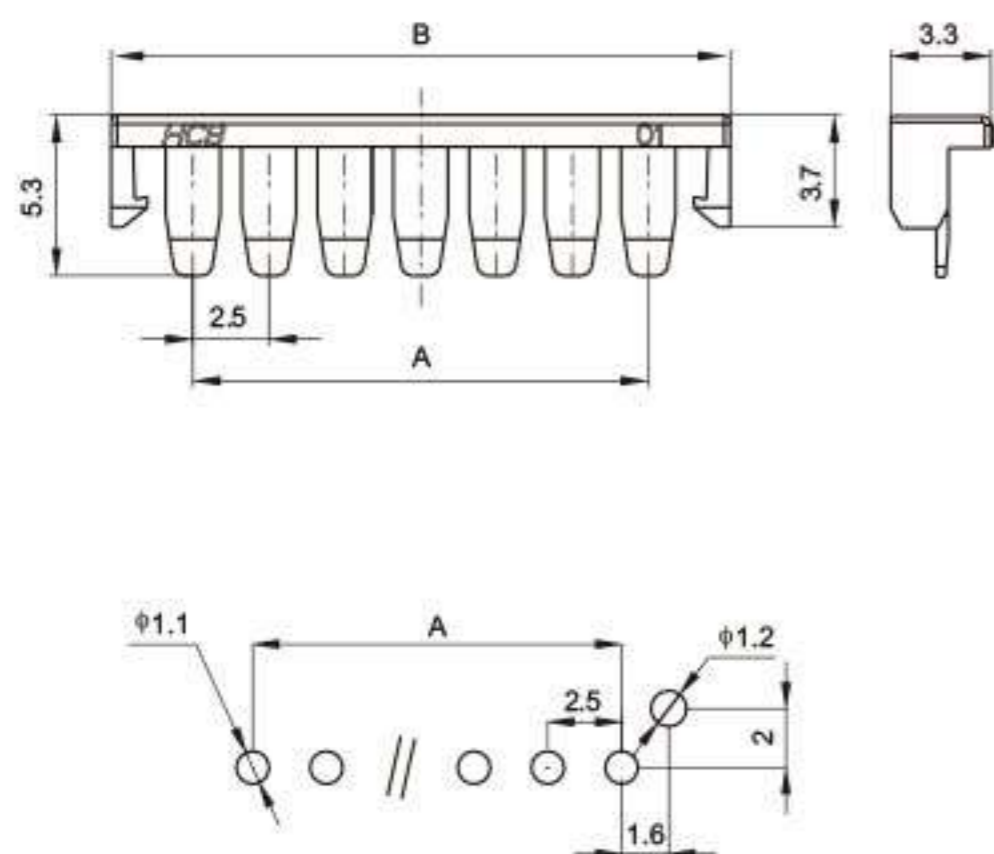
C25009-ENS(XHB-NS)



锁片 TPA

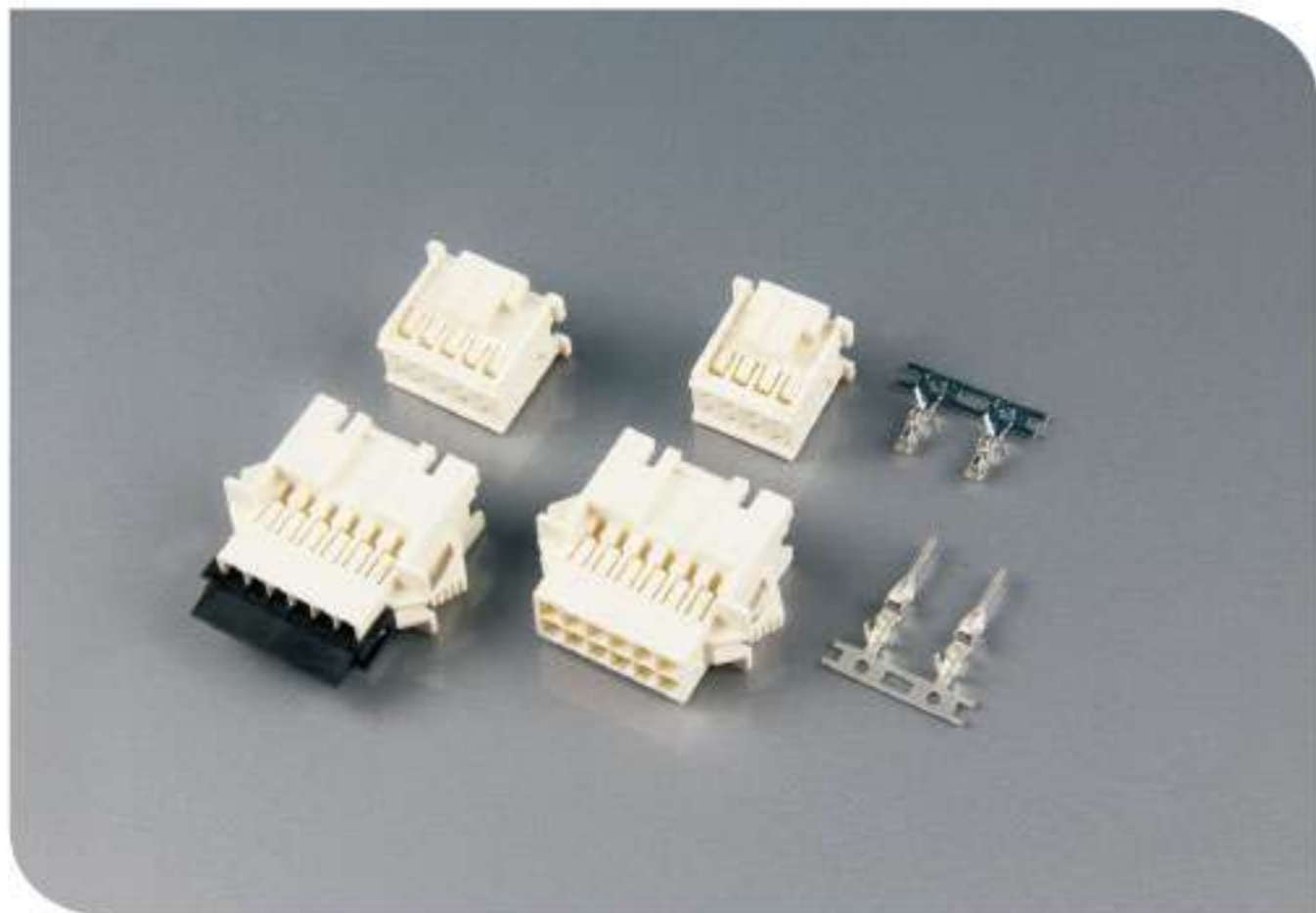
型号 Part No.	材质 Material	包装数量 Q'ty/bag	尺寸 Dimensions(mm)	
			A	B
C25009-E04S	PA66	2K	2.5	7.9
C25009-E09S		2K	5.0	10.4
C25009-E10S		2K	7.5	12.9

C25009-BNS(XHS-NS)



锁片 TPA

型号 Part No.	材质 Material	包装数量 Q'ty/bag	尺寸 Dimensions(mm)	
			A	B
C25009-B02S	PA66	2K	2.5	7.9
C25009-B03S		2K	5.0	10.4
C25009-B04S		2K	7.5	12.9
C25009-B05S		2K	10.0	15.4
C25009-B06S		2K	12.5	17.9
C25009-B07S		2K	15.0	20.4
C25009-B08S		2K	17.5	22.9
C25009-B09S		2K	20.0	25.4
C25009-B10S		2K	22.5	27.9
C25009-B11S		2K	25.0	30.4
C25009-B12S		2K	27.5	32.9
C25009-B13S		2K	30.0	35.4
C25009-B14S		2K	32.5	37.9



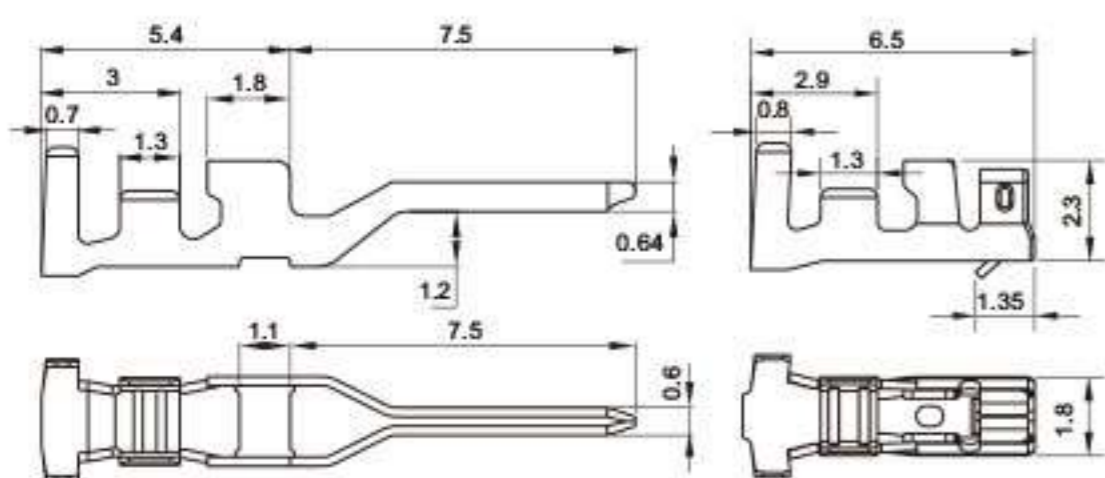
■ 技术参数 SPECIFICATIONS

- 线数 Number of positions: 2~20
- 适用线规 Applicable wires: 26~22AWG
- 温度范围 Temperature range: -40°C~105°C
(including temperature rise in applying electrical current)
- 额定电压 Voltage rating: 250V AC, DC Max.
- 额定电流 Current rating: 3A AC, DC Max.
- 接触电阻 Contact resistance: ≤ 10mΩ
- 绝缘电阻 Insulation resistance: ≥ 1000MΩ
- 耐压 Withstanding voltage: 1000V AC/minute

*Compliant with RoHS.

C25012-01RT(2238007-1)

C25012-01PT(2110989-1)

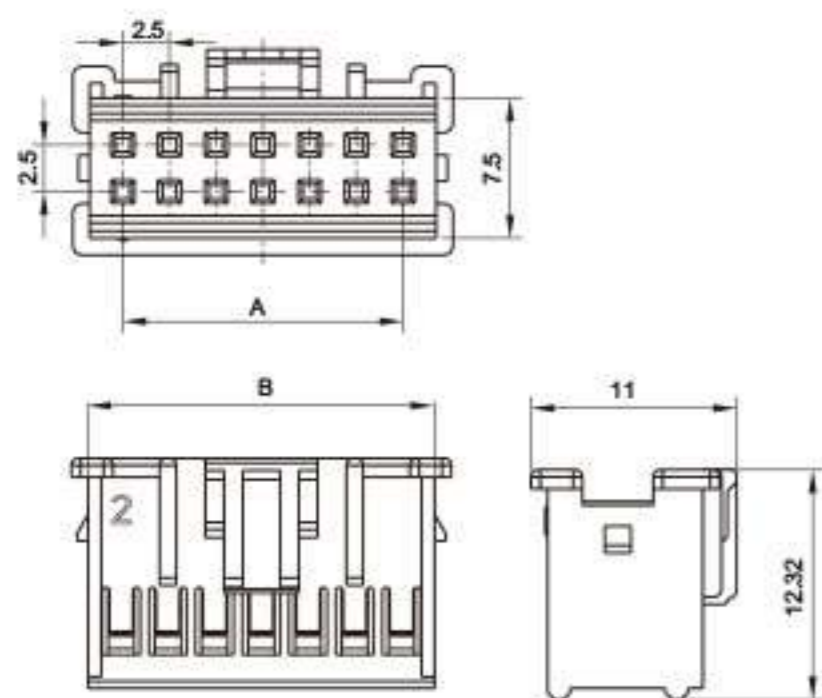


端子 TERMINAL

型号 Part No.	材质 Material	料厚 Thickness	线规 Applicable wires		电线外径 Wire insulation O.D. mm	镀层 Plating	包装数量 Q'ty/reel
			AWG#	线径 mm ²			
C25012-01RT	Phosphor bronze	0.2	26-22	0.13-0.33	1.3-1.7	Tin Plated	8K
C25012-01PT	Phosphor bronze	0.2	26-22	0.13-0.33	1.3-1.7	Tin Plated	8K

C25012-ANP

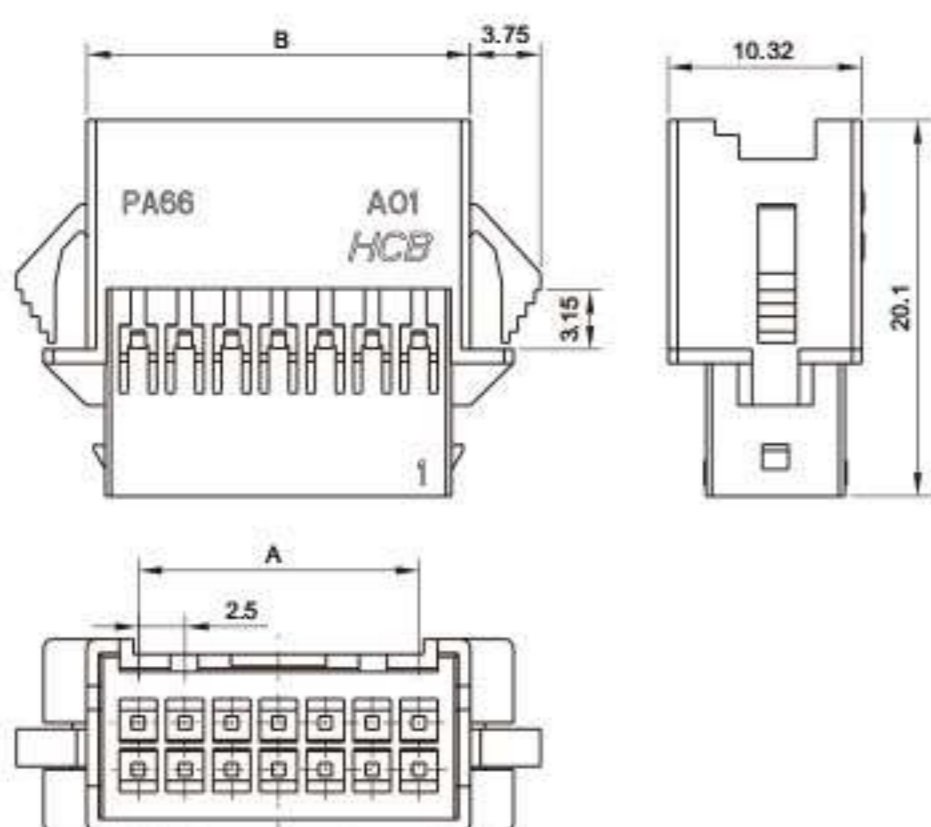
2323743-N/1969540-N/1969567-N



公端塑件 PLUG HOUSING

型号 Part No.	材质 Material	包装数量 Q'ty/bag	尺寸 Dimensions(mm)	
			A	B
C25012-A08P(2323743-8)	PA66	1K	7.5	11.1
C25012-A10P(1-2323743-0)		1K	10.0	15.4
C25012-A12P(1-2323743-2)		1K	12.5	16.1
C25012-A14P(1-1969567-4)		0.5K	15.0	18.54
C25012-A18P(1-1969540-8)		0.5K	20.0	23.65
C25012-A20P(2-2323743-0)		0.5K	22.5	27.1

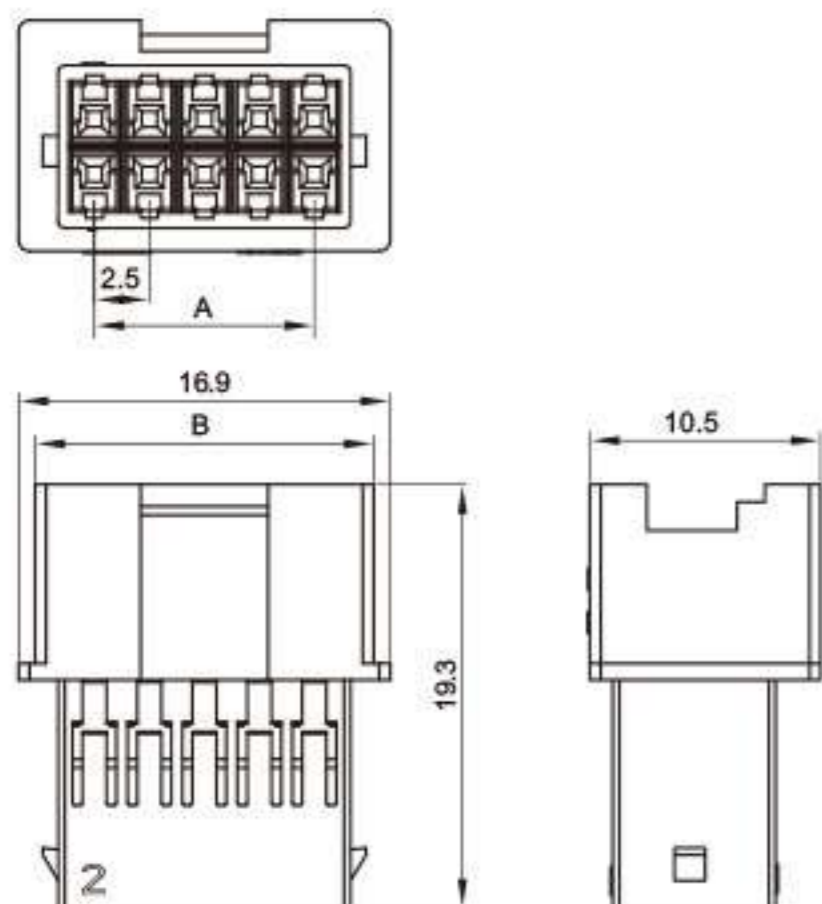
C25012-ANR(1-2323745-2)



母端塑件 RECEPTACLE

型号 Part No.	材质 Material	包装数量 Q'ty/bag	尺寸 Dimensions(mm)	
			A	B
C25012-A12R(1-2323745-2)	PA66	1K	12.5	18.0

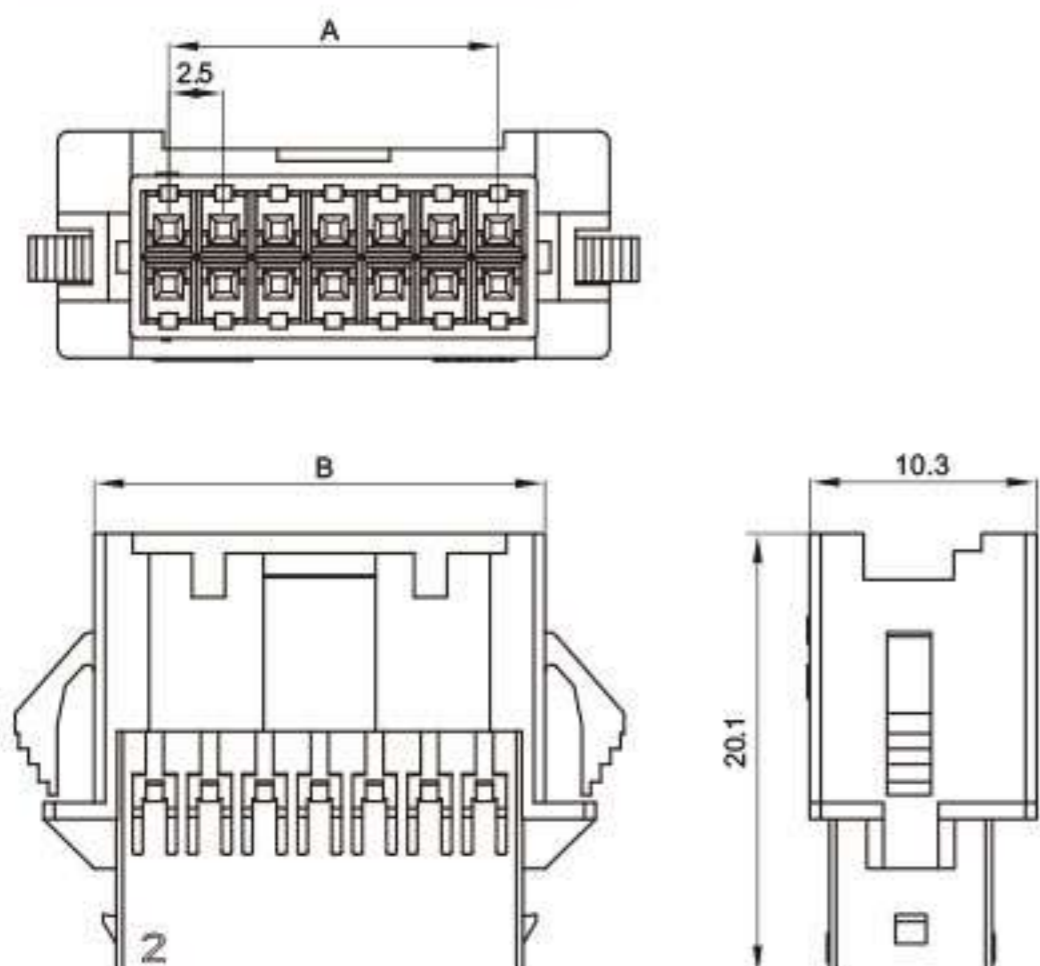
C25012-BNRF(1-2324201-0)



母端塑件 RECPETCALE

型号 Part No.	材质 Material	包装数量 Q'ty/bag	尺寸 Dimensions(mm)	
			A	B
C25012-B10RF	PA66	1K	10.0	15.4

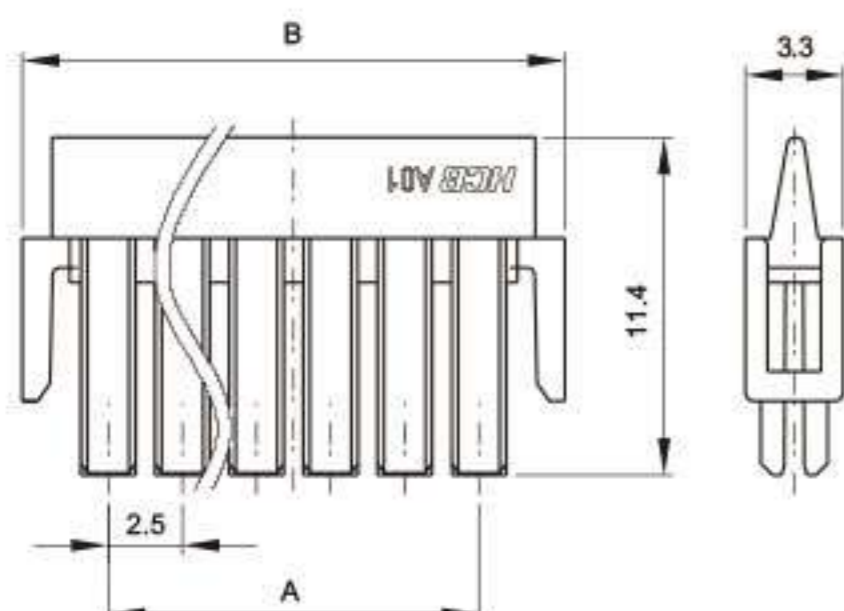
C25012-ANR(1-1969595-4)



母端塑件 RECPETCALE

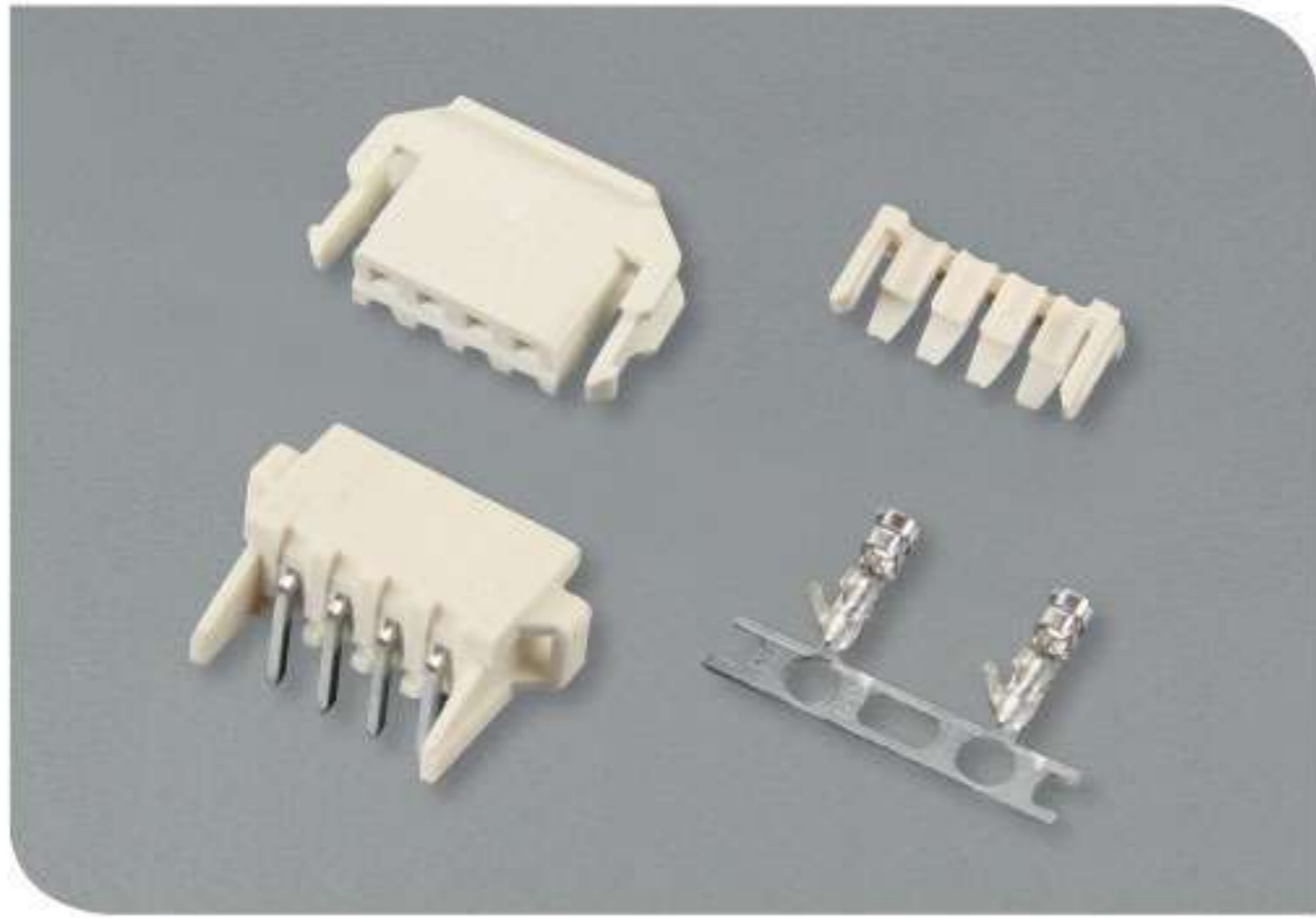
型号 Part No.	材质 Material	包装数量 Q'ty/bag	尺寸 Dimensions(mm)	
			A	B
C25012-A14R	PA66	0.5K	15.0	20.5

C25012-ANS(1-1969541-N)



锁片 TPA

型号 Part No.	材质 Material	包装数量 Q'ty/bag	尺寸 Dimensions(mm)	
			A	B
C25012-A08S	PA66	1K	7.5	13.28
C25012-A10S		1K	10.0	15.78
C25012-A12S		1K	12.5	18.28
C25012-A14S		1K	15.0	20.78
C25012-A18S		1K	20.0	25.78
C25012-A20S		1K	22.5	28.28

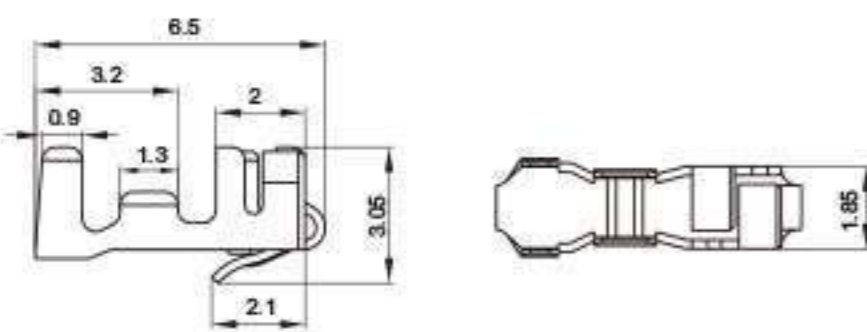


■ 技术参数 SPECIFICATIONS

- 线数 Number of positions: 4~5
- 适用线规 Applicable wires: 26~22AWG
- 温度范围 Temperature range: -40°C~105°C
(including temperature rise in applying electrical current)
- 额定电压 Voltage rating: 250V AC, DC Max.
- 额定电流 Current rating: 3A AC, DC Max.
- 接触电阻 Contact resistance: ≤ 10mΩ
- 绝缘电阻 Insulation resistance: ≥ 1000MΩ
- 耐压 Withstanding voltage: 1000V AC/minute

*Compliant with RoHS.

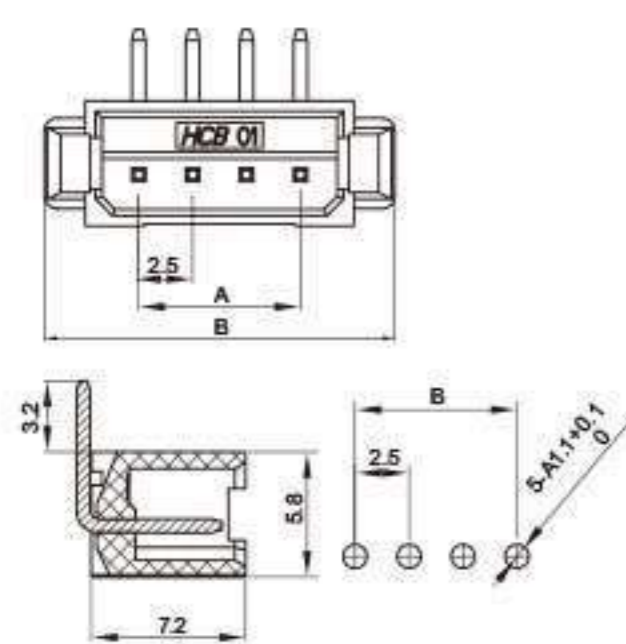
C25009-01PT(XH-PT)
C25009-00PT(XH-PT-1)



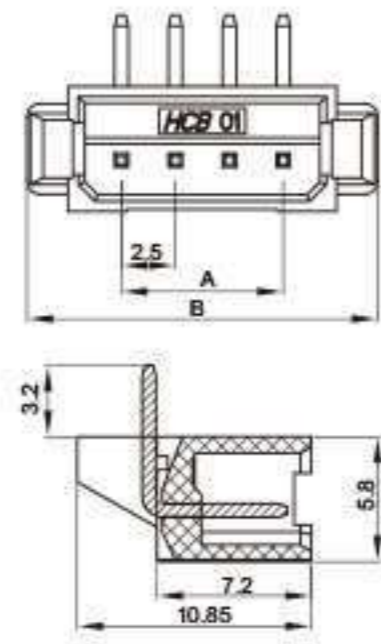
端子 TERMINAL

型号 Part No.	材质 Material	料厚 Thickness	线规 Applicable wires		电线外径 Wire insulation O.D. mm	镀层 Plating	包装数量 Q'ty/reel
			AWG#	线径 mm ²			
C25009-00PT	Phosphor bronze	0.2	26~22	0.13~0.33	1.3~1.7	Tin Plated	6K
C25009-01PT	Phosphor bronze	0.2	24~20	0.22~0.5	1.5~2.6	Tin Plated	6K

C25013-ANAW



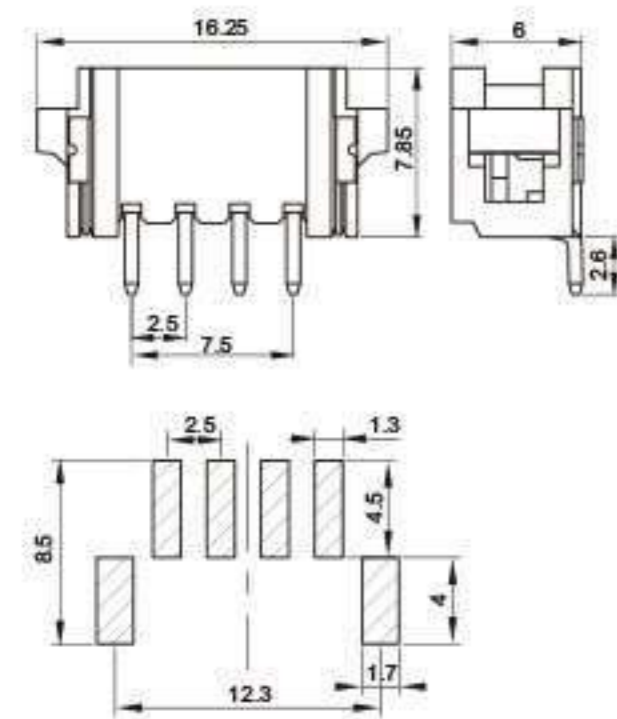
C25013-ANAWD



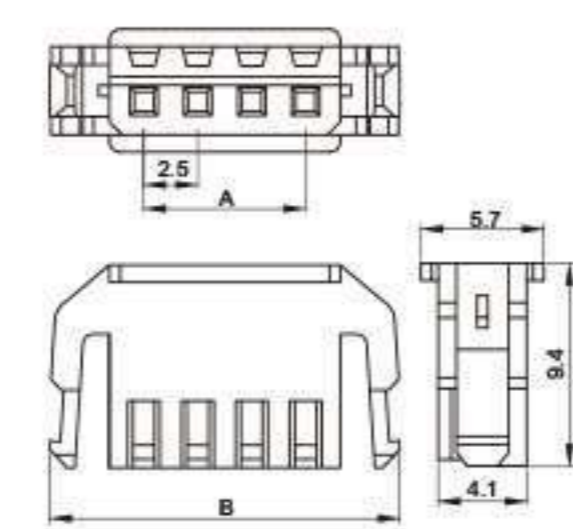
针座 WAFER

型号 Part No.	材质 Material	包装数量 Q'ty/bag	尺寸 Dimensions(mm)	
			A	B
C25013-A04AW	PA66	1K	7.5	16.25
C25013-A05AW		1K	10.0	18.75

C25013-ANAWB



C25013-ANP



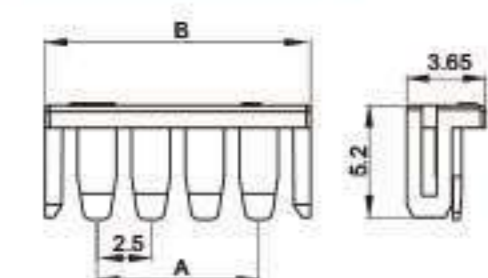
针座 WAFER

型号 Part No.	材质 Material	包装数量 Q'ty/bag	尺寸 Dimensions(mm)	
			A	B
C25013-A04AWD	PA66	1K	7.5	16.25

公端塑件 PLUG HOUSING

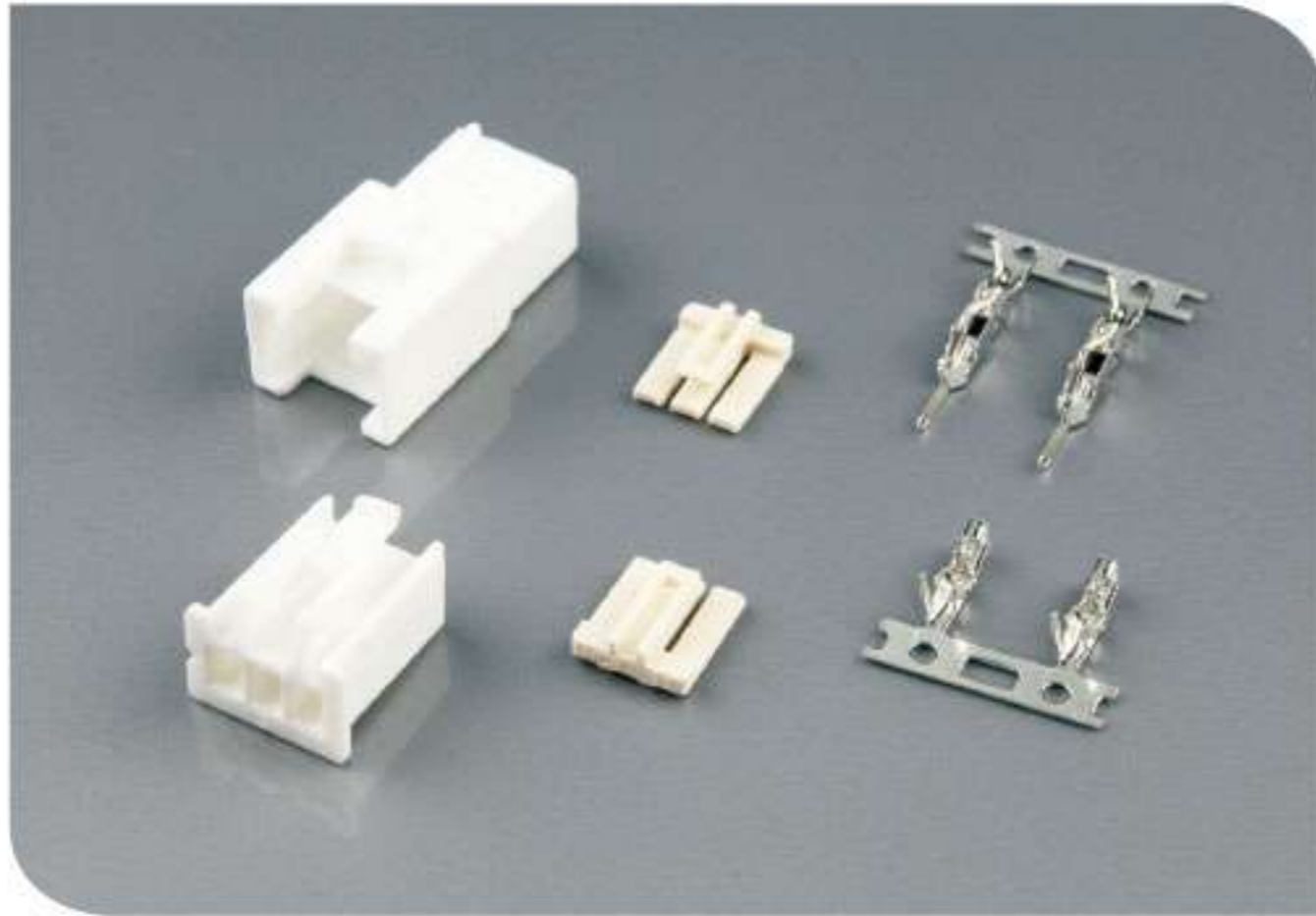
型号 Part No.	材质 Material	包装数量 Q'ty/bag	尺寸 Dimensions(mm)	
			A	B
C25013-A04P	PA66	1K	7.5	16.23
C25013-A05P		1K	10.0	18.68

C25013-ANS



锁片 TPA

型号 Part No.	材质 Material	包装数量 Q'ty/bag	尺寸 Dimensions(mm)	
			A	B
C25013-A04S	PA66	1K	7.5	12.3
C25013-A05S		1K	10.0	14.8



■ 技术参数 SPECIFICATIONS

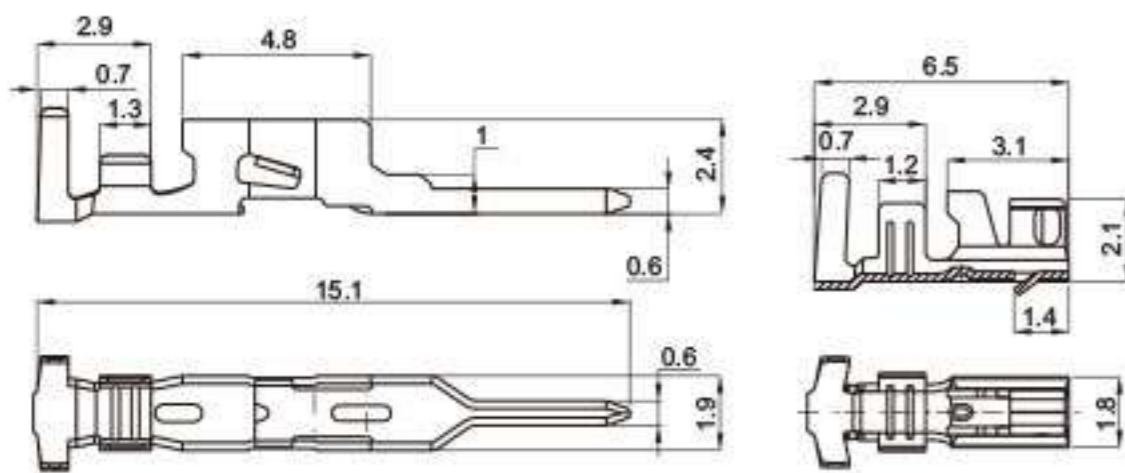
- 线数 Number of positions: 2~10
- 适用线规 Applicable wires: 26~22AWG
- 温度范围 Temperature range: -40°C~105°C
(including temperature rise in applying electrical current)
- 额定电压 Voltage rating: 250V AC, DC Max.
- 额定电流 Current rating: 3A AC, DC Max.
- 接触电阻 Contact resistance: $\leq 10\text{m}\Omega$
- 绝缘电阻 Insulation resistance: $\geq 1000\text{M}\Omega$
- 耐压 Withstanding voltage: 1000V AC/minute

*Compliant with RoHS.

C25008-01RT(SXAM-01T-P0.6)

C25008-02PT(SXA-001T-P0.6)
C25008-01PT(SXA-01T-P0.6)

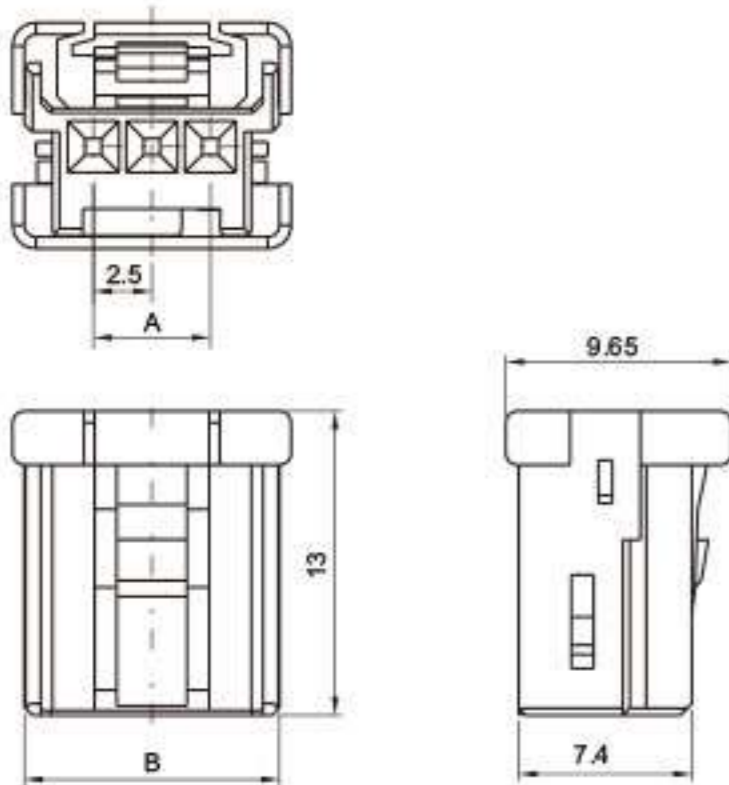
端子 TERMINAL



型号 Part No.	材质 Material	料厚 Thickness	线规 Applicable wires		电线外径 Wire insulation O.D. mm	镀层 Plating	包装数量 Q'ty/reel
			AWG#	线径 mm ²			
C25008-01RT	Phosphor bronze	0.2	26-22	0.13-0.33	1.3-1.7	Tin Plated	7K
C25008-01PT	Phosphor bronze	0.2	26-22	0.13-0.33	1.3-1.7	Tin Plated	7K
C25008-02PT	Phosphor bronze	0.2	24-20	0.22-0.5	1.5-2.6	Tin Plated	8K

C25014-ANP (XMAP-NV)

公端塑件 PLUG HOUSING

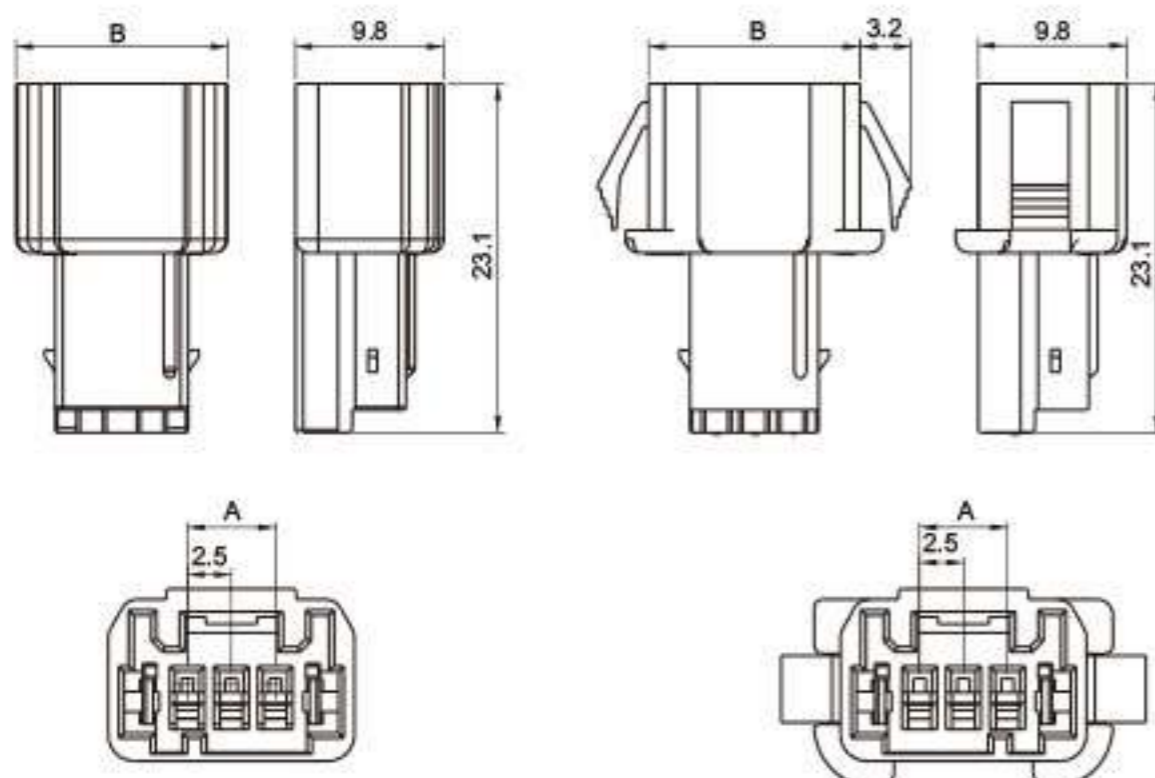


型号 Part No.	材质 Material	包装数量 Q'ty/bag	尺寸 Dimensions(mm)	
			A	B
C25014-A02P	PBT	2K	2.5	7
C25014-A03P		2K	5	9.5

C25014-ANRF(XMAR-NVF)

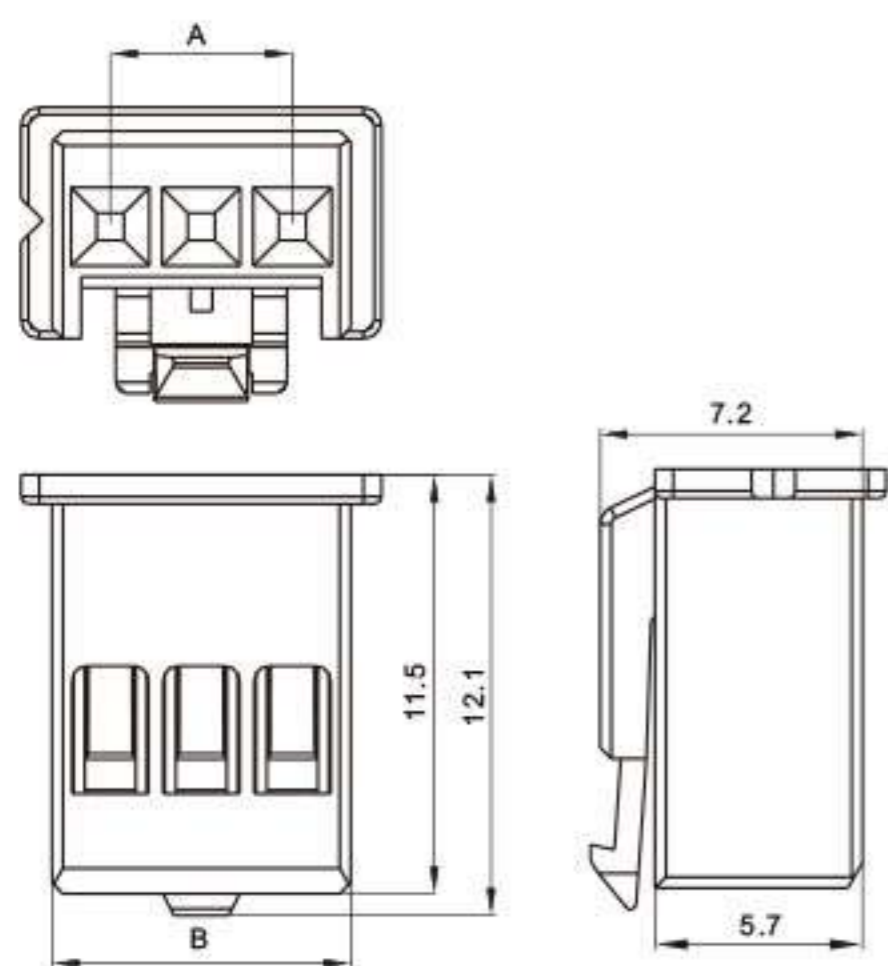
C25014-ANR (XMAR-NV)

母端塑件 RECEPTACLE



型号 Part No.	材质 Material	包装数量 Q'ty/bag	尺寸 Dimensions(mm)	
			A	B
C25014-A02R	PA66	1K	2.5	12.5
C25014-A03R		1K	5.0	14.0

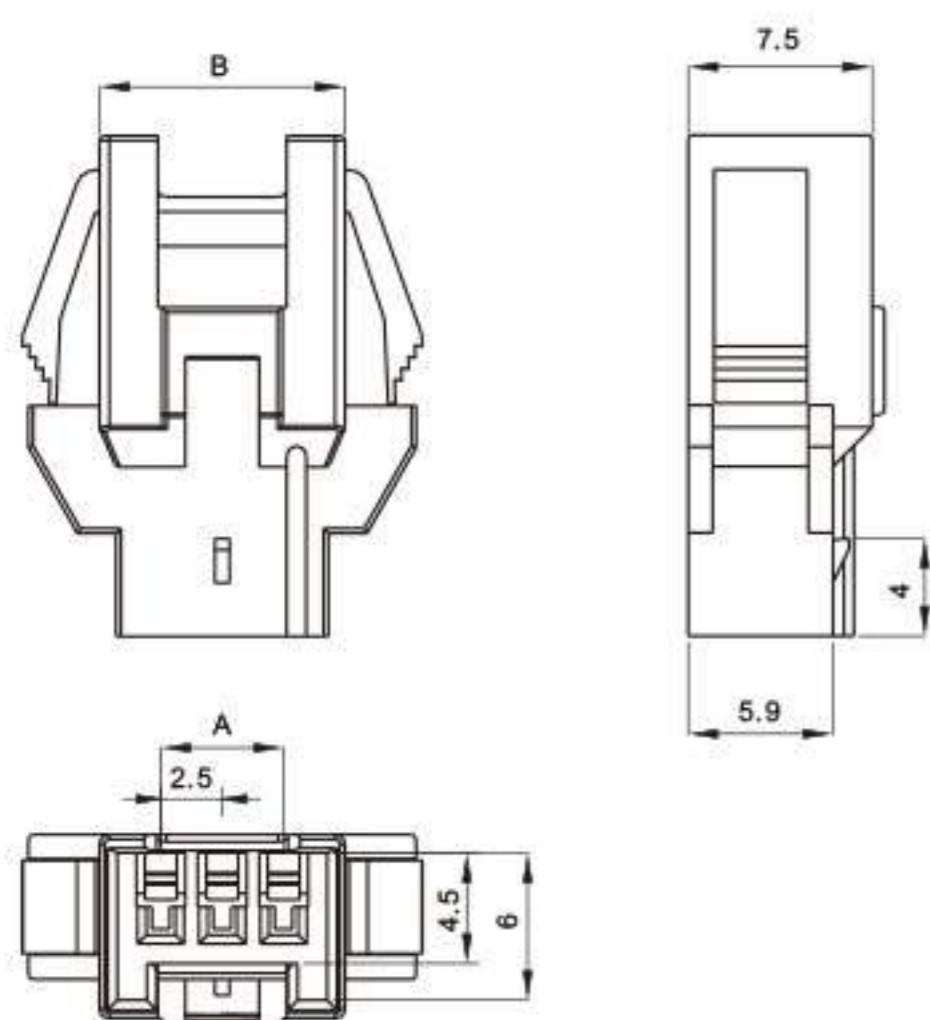
C25008-DNP(XMP-NV)



公端塑件 PLUG HOUSING

型号 Part No.	材质 Material	包装数量 Q'ty/bag	尺寸 Dimensions(mm)	
			A	B
C25008-D02P	PA66	1K	2.5	7.1
C25008-D03P		1K	5.0	8.2
C25008-D04P		1K	7.5	10.7
C25008-D05P		1K	10.0	13.2
C25008-D06P		1K	12.5	15.7
C25008-D07P		1K	15.0	18.2
C25008-D08P		1K	17.5	20.7
C25008-D09P		1K	20.0	23.2
C25008-D10P		1K	22.5	25.7

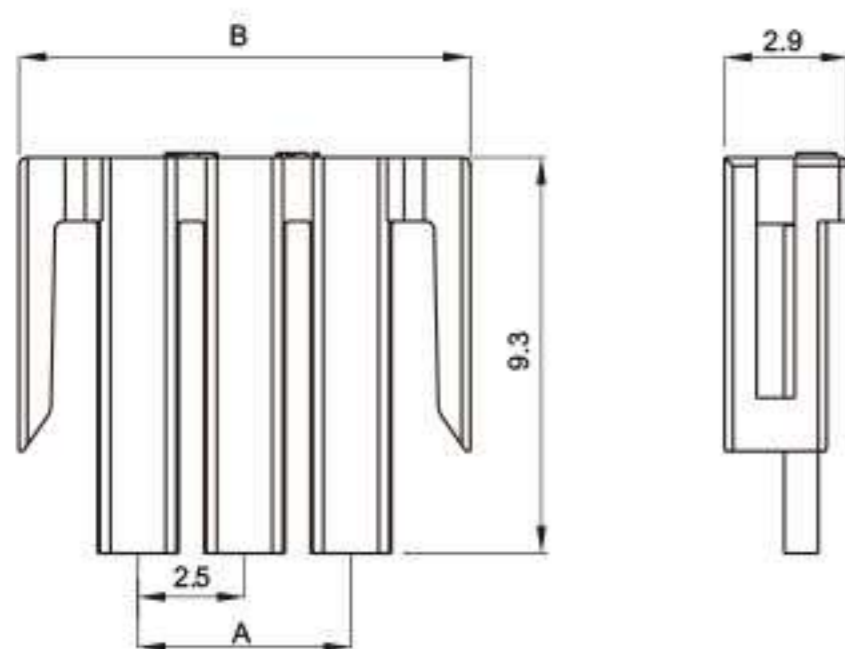
C25008-DNR(XMR-NV)



母端塑件 RECEPTACLE

型号 Part No.	材质 Material	包装数量 Q'ty/bag	尺寸 Dimensions(mm)	
			A	B
C25008-D02R	PA66	1K	2.5	9.0
C25008-D03R C25008-D03RF		1K	5.0	10.0
C25008-D04R		1K	7.5	12.5
C25008-D05R		1K	10.0	15.0
C25008-D06R		1K	12.5	17.5
C25008-D07R		1K	15.0	20.0
C25008-D08R		1K	17.5	22.5
C25008-D09R		1K	20.0	25.0
C25008-D10R		1K	22.5	27.5

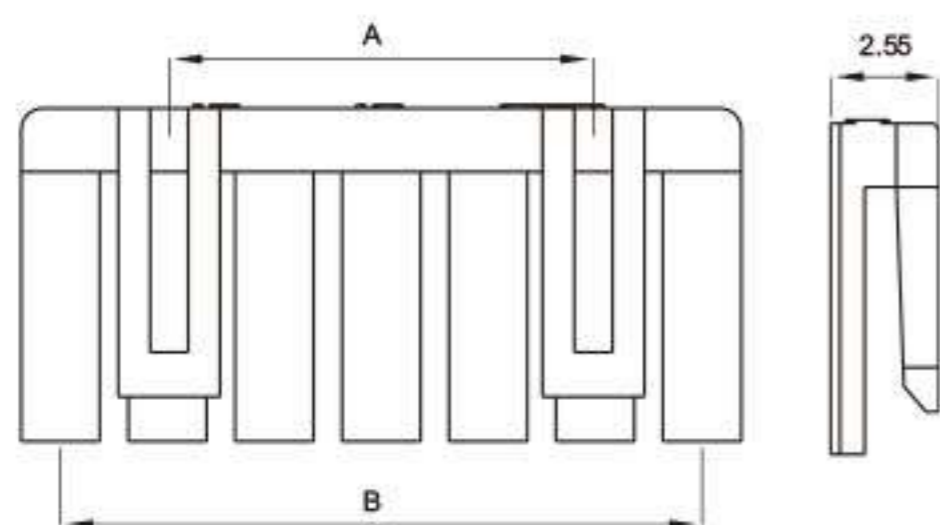
C25014-ANS(XMAS-NV)



锁片 TPA

型号 Part No.	材质 Material	包装数量 Q'ty/bag	尺寸 Dimensions(mm)	
			A	B
C25014-A02S	PA66	1K	2.5	9.4
C25014-A03S		1K	5.0	10.6

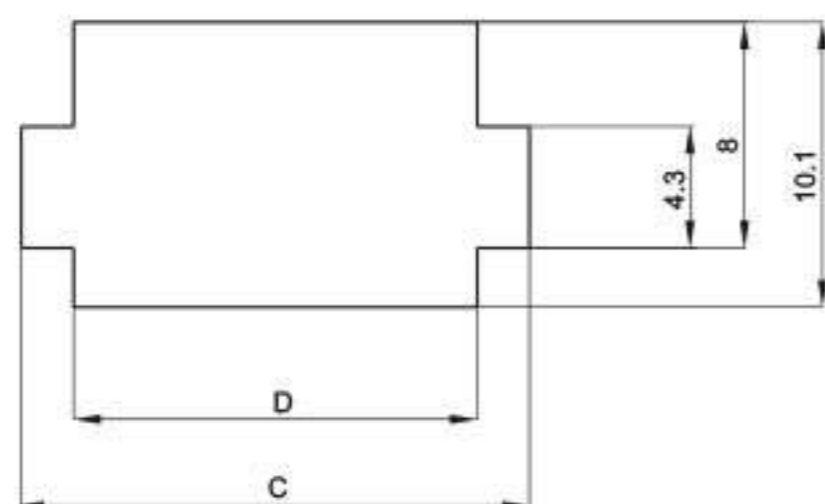
C25008-DNS (XMS-NV)

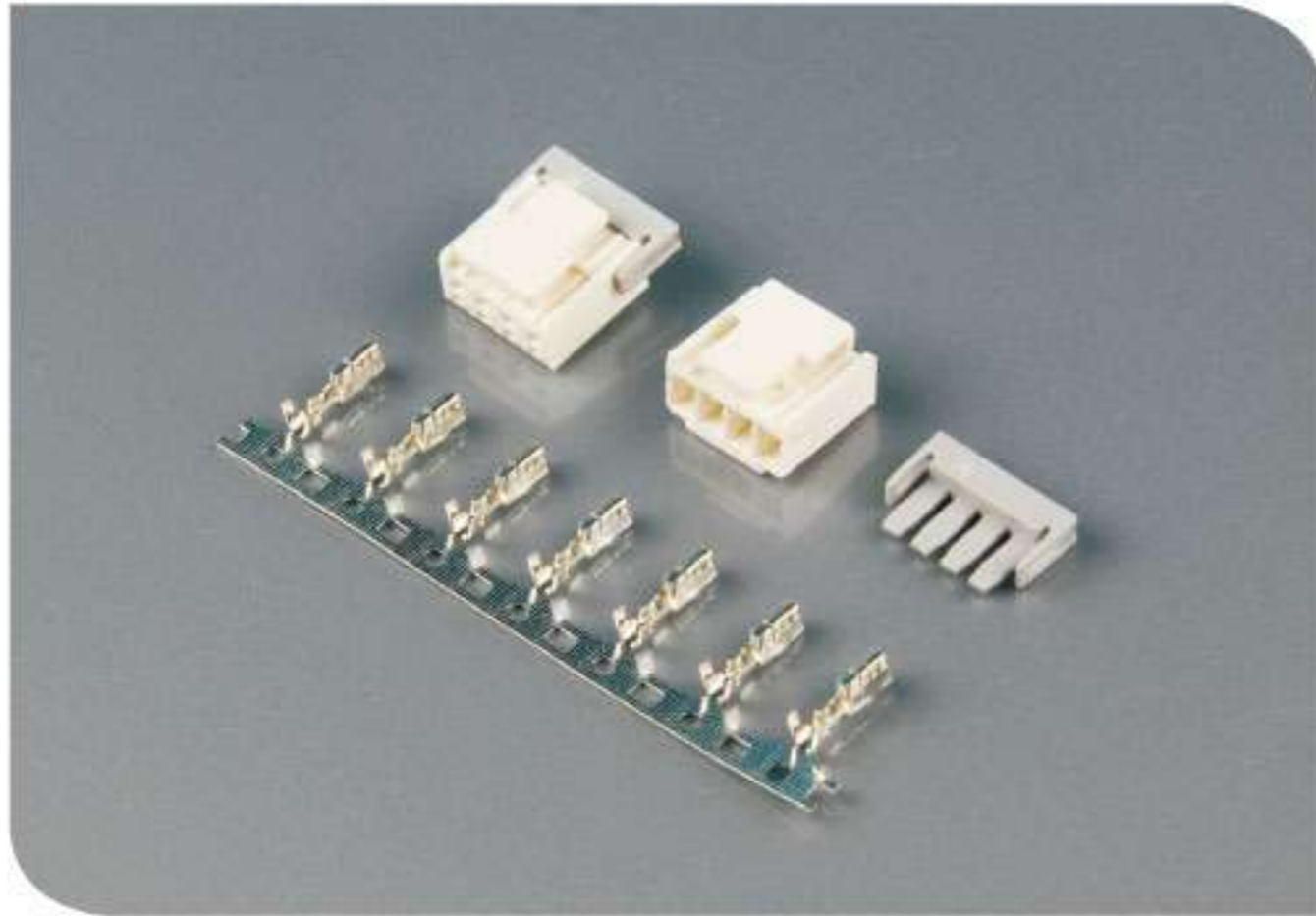


锁片 TPA

型号 Part No.	材质 Material	包装数量 Q'ty/bag	尺寸 Dimensions(mm)	
			A	B
C25008-D02S	PA66	1K	2.5	4.35
C25008-D03S		1K	5.0	6.85
C25008-D04S		1K	7.5	9.35
C25008-D05S		1K	10.0	11.85
C25008-D06S		1K	12.5	14.35
C25008-D07S		1K	15.0	16.85
C25008-D08S		1K	17.5	19.35
C25008-D09S		1K	20.0	21.85
C25008-D10S		1K	22.5	24.35
C25008-D11S		1K	25.0	26.85
C25008-D12S		1K	27.5	29.35
C25008-D13S		1K	30.0	31.85
C25008-D14S		1K	32.5	34.35
C25008-D15S		1K	35.0	36.85
C25008-D16S		1K	37.5	39.35

XMAR 安装示意图



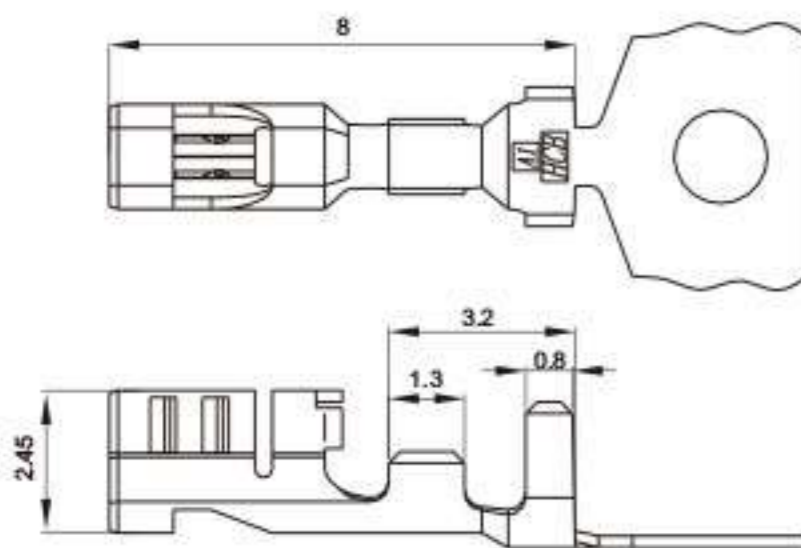


■ 技术参数 SPECIFICATIONS

- 线数 Number of positions: 4~7
- 适用线规 Applicable wires: 26~24AWG
- 温度范围 Temperature range: -40°C~105°C
(including temperature rise in applying electrical current)
- 额定电压 Voltage rating: 250V AC, DC Max.
- 额定电流 Current rating: 3A AC, DC Max.
- 接触电阻 Contact resistance: $\leq 10\text{m}\Omega$
- 绝缘电阻 Insulation resistance: $\geq 1000\text{M}\Omega$
- 耐压 Withstanding voltage: 1000V AC/minute

*Compliant with RoHS.

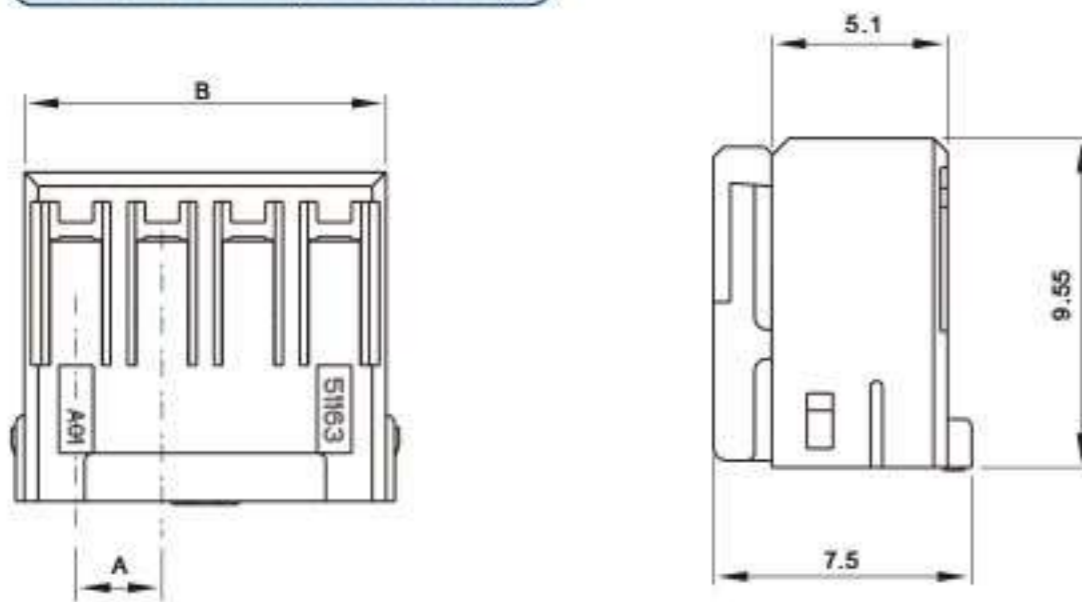
C25016-01PT (507528400)



端子 TERMINAL

型号 Part No.	材质 Material	料厚 Thickness	线规 Applicable wires		电线外径 Wire insulation O.D. mm	镀层 Plating	包装数量 Q'ty/reel
			AWG#	线径 mm ²			
C25016-01PT	Phosphor bronze	0.2	26-24	0.13-0.22	1.3-1.7	Tin Plated	8K

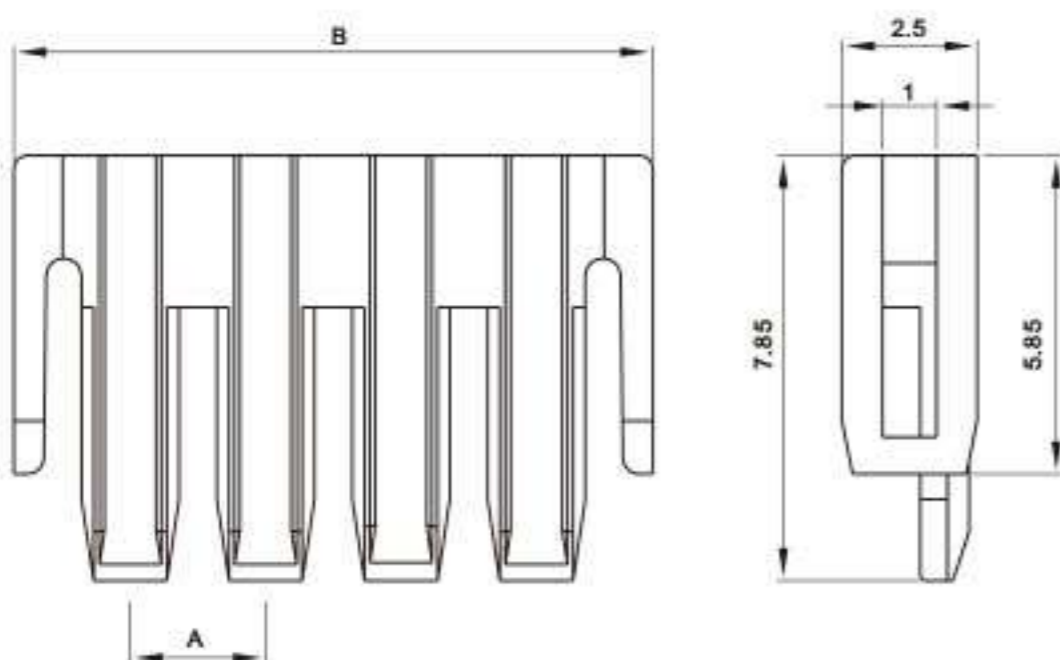
C25016-ANP (511630400)



公端塑件 PLUG HOUSING

型号 Part No.	材质 Material	包装数量 Q'ty/bag	尺寸 Dimensions(mm)	
			A	B
C25016-A04P	PBT	1K	2.5	10.5
C25016-A05P		1K	5.0	13.0
C25016-A06P		1K	7.5	15.5
C25016-A07P		1K	10.0	18.0

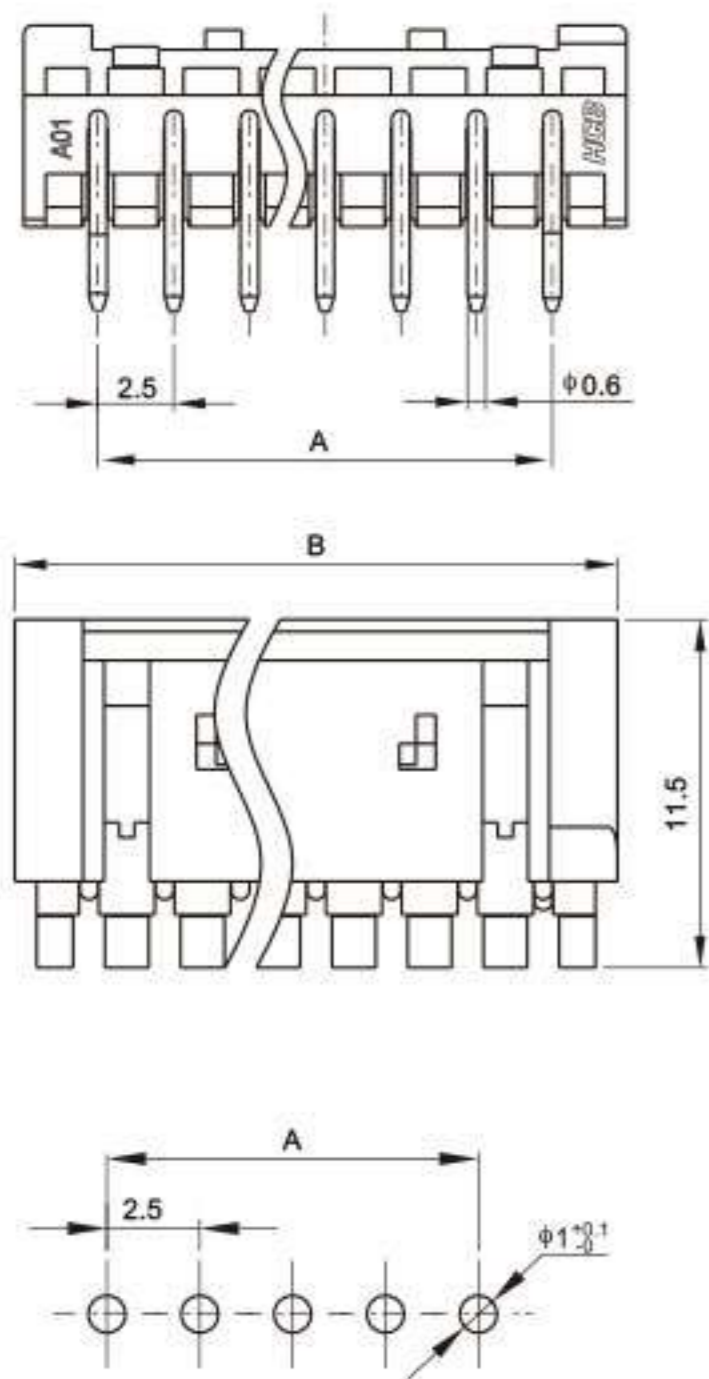
C25016-ANS (511640405)



锁片 TPA

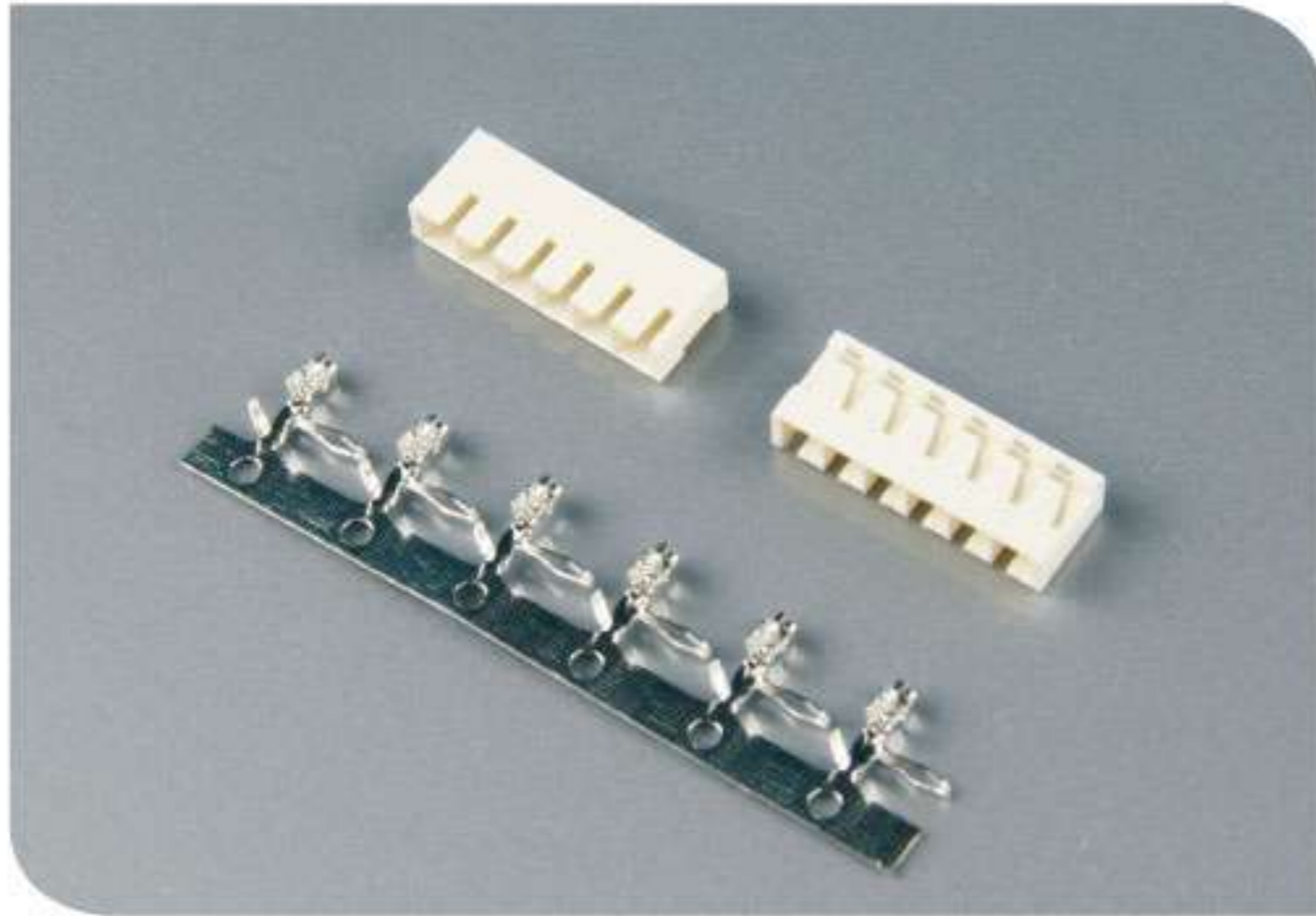
型号 Part No.	材质 Material	包装数量 Q'ty/bag	尺寸 Dimensions(mm)	
			A	B
C25016-A04S	PBT	1K	2.5	11.8
C25016-A05S		1K	5.0	14.3
C25016-A06S		1K	7.5	16.8
C25016-A07S		1K	10.0	19.3

C25016-ANA(53426-**10)



针座 WAFER

型号 Part No.	材质 Material	包装数量 Q'ty/bag	尺寸 Dimensions(mm)	
			A	B
C25016-A04A	PA66	1K	7.5	12.4
C25016-A07A		1K	15.0	19.9

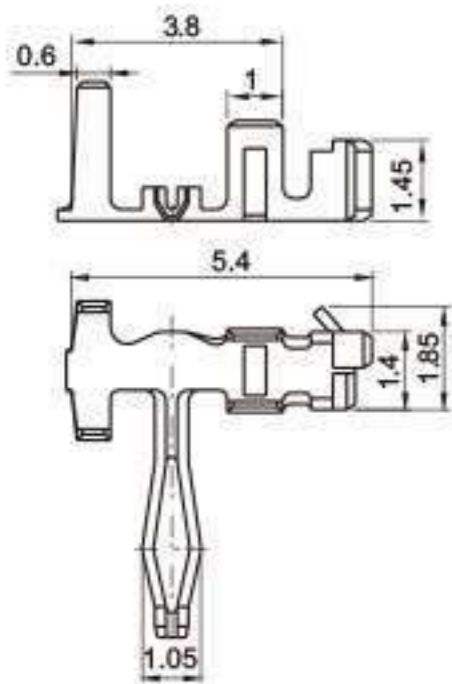


■ 技术参数 SPECIFICATIONS

- 线数 Number of positions:6
- 适用线规 Applicable wires:26~22AWG
- 温度范围 Temperature range:-40℃~105℃
(including temperature rise in applying electrical current)
- 额定电压 Voltage rating:250V AC,DC Max.
- 额定电流 Current rating:3A AC,DC Max.
- 接触电阻 Contact resistance: ≤ 10mΩ
- 绝缘电阻 Insulation resistance: ≥ 1000MΩ
- 耐压 Withstanding voltage:1000V AC/minute

*Compliant with RoHS.

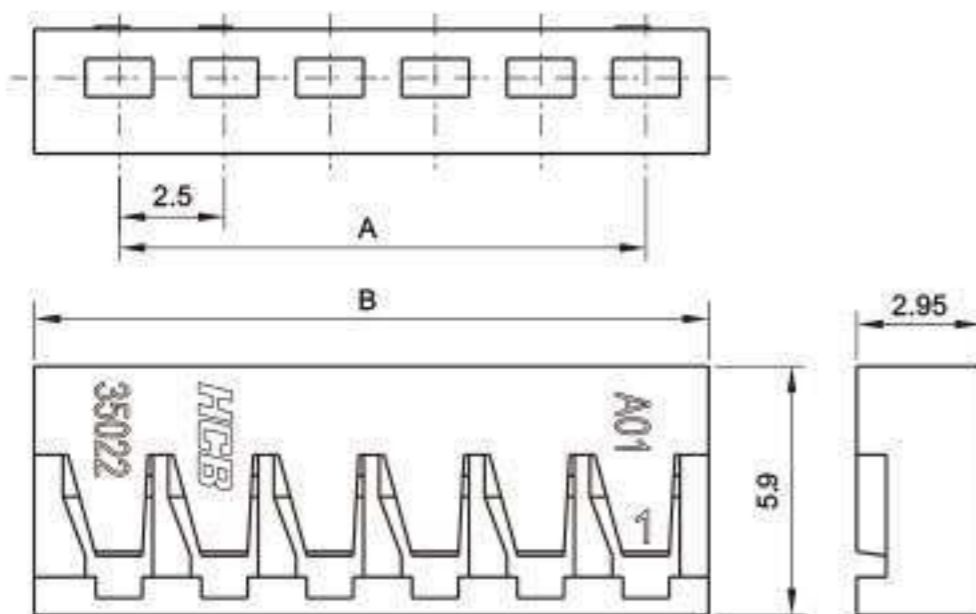
C25017-01PT (35021-1001)



端子 TERMINAL

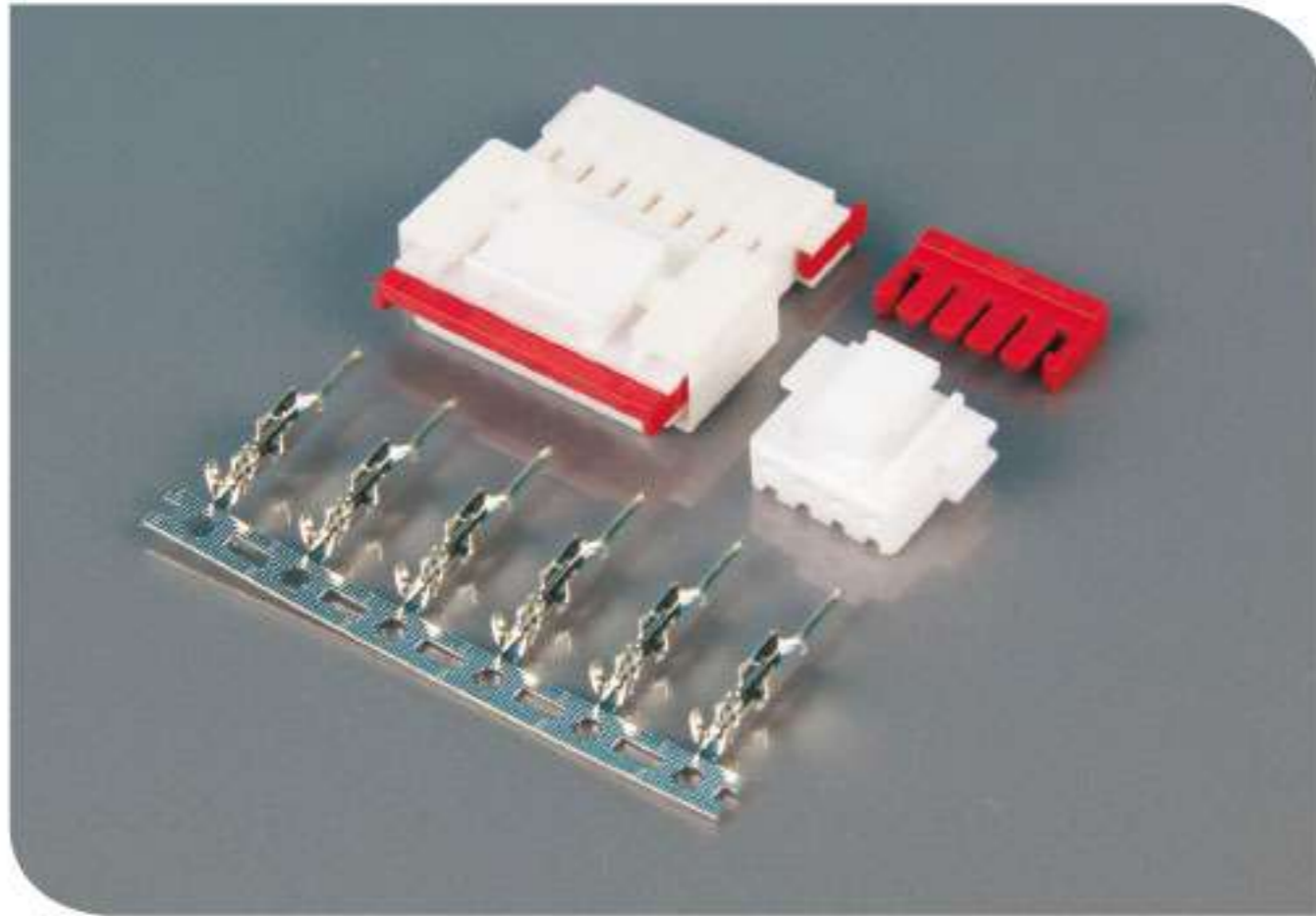
型号 Part No.	材质 Material	料厚 Thickness	线规 Applicable wires		电线外径 Wire insulation O.D. mm	镀层 Plating	包装数量 Q'ty/reel
			AWG#	线径 mm ²			
C25017-01PT	Phosphor bronze	0.2	26-22	0.13-0.33	1.3-1.7	Tin Plated	8K

C25017-ANP (35022-0006)



公端塑件 PLUG HOUSING

型号 Part No.	材质 Material	包装数量 Q'ty/bag	尺寸 Dimensions(mm)	
			A	B
C25017-A06P	PA66	2K	12.5	16.0



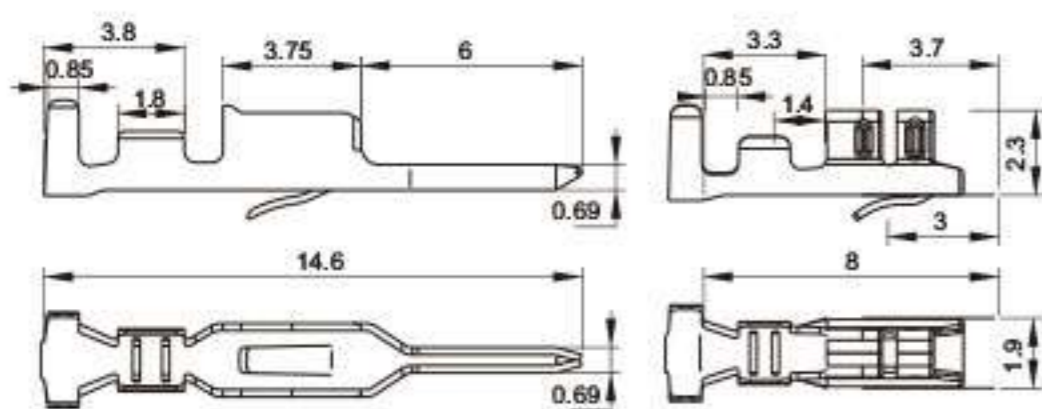
■ 技术参数 SPECIFICATIONS

- 线数 Number of positions: 2~7
- 适用线规 Applicable wires: 26~22AWG
- 温度范围 Temperature range: -40°C~105°C
(including temperature rise in applying electrical current)
- 额定电压 Voltage rating: 250V AC, DC Max.
- 额定电流 Current rating: 3A AC, DC Max.
- 接触电阻 Contact resistance: $\leq 10\text{m}\Omega$
- 绝缘电阻 Insulation resistance: $\geq 1000\text{M}\Omega$
- 耐压 Withstanding voltage: 1500V AC/minute

*Compliant with RoHS.

C25018-01RT(25045TP)

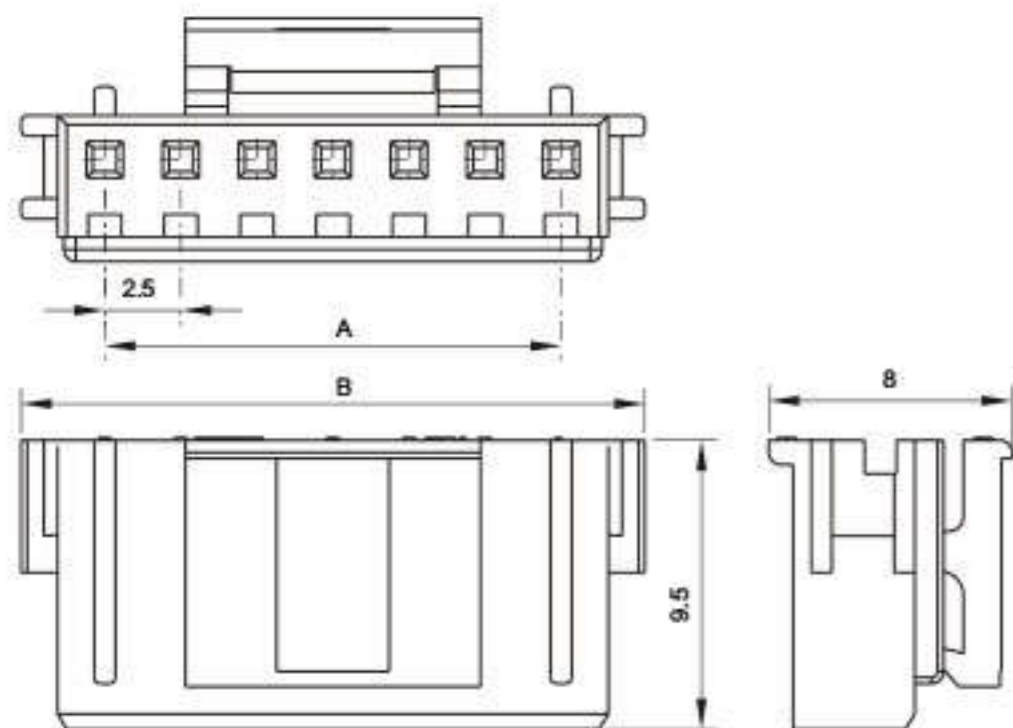
C25018-01PT(SX003-T)



端子 TERMINAL

型号 Part No.	材质 Material	料厚 Thickness	线规 Applicable wires		电线外径 Wire insulation O.D. mm	镀层 Plating	包装数量 Q'ty/reel
			AWG#	线径 mm ²			
C25018-01RT	Phosphor bronze	0.2	26-22	0.13-0.33	1.3-1.7	Tin Plated	7K
C25018-01PT	Phosphor bronze	0.2	26-22	0.13-0.33	1.3-1.7	Tin Plated	7K

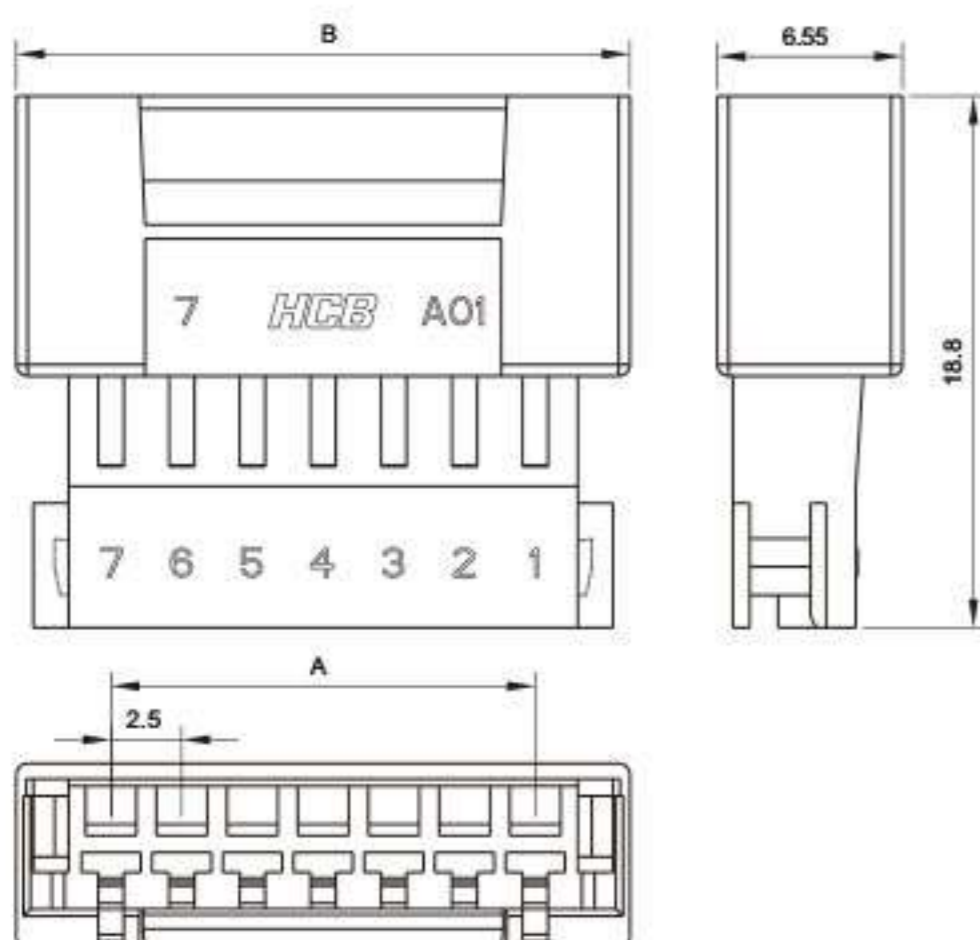
C25018-ANP(SMH250-NL)



公端塑件 PLUG HOUSING

型号 Part No.	材质 Material	包装数量 Q'ty/bag	尺寸 Dimensions(mm)	
			A	B
C25018-A04P	PA66	1K	7.5	13.0
C25018-A07P		1K	15.0	20.5

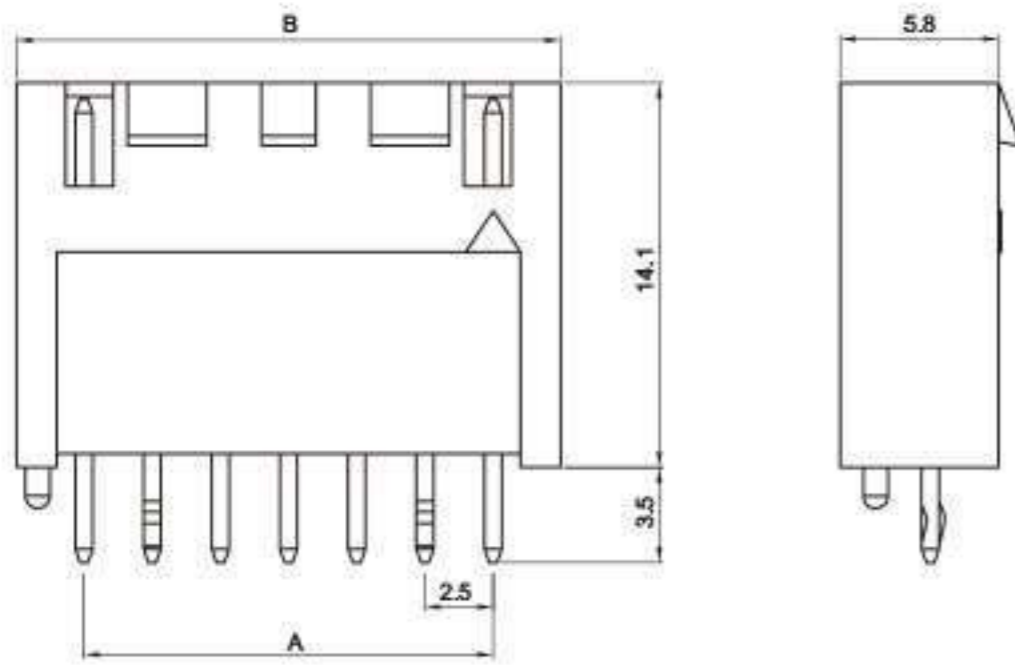
C25018-ANR (25045HP-NV)



母端塑件 RECEPTACLE

型号 Part No.	材质 Material	包装数量 Q'ty/bag	尺寸 Dimensions(mm)	
			A	B
C25018-A07R	PA66	1K	15.0	21.7

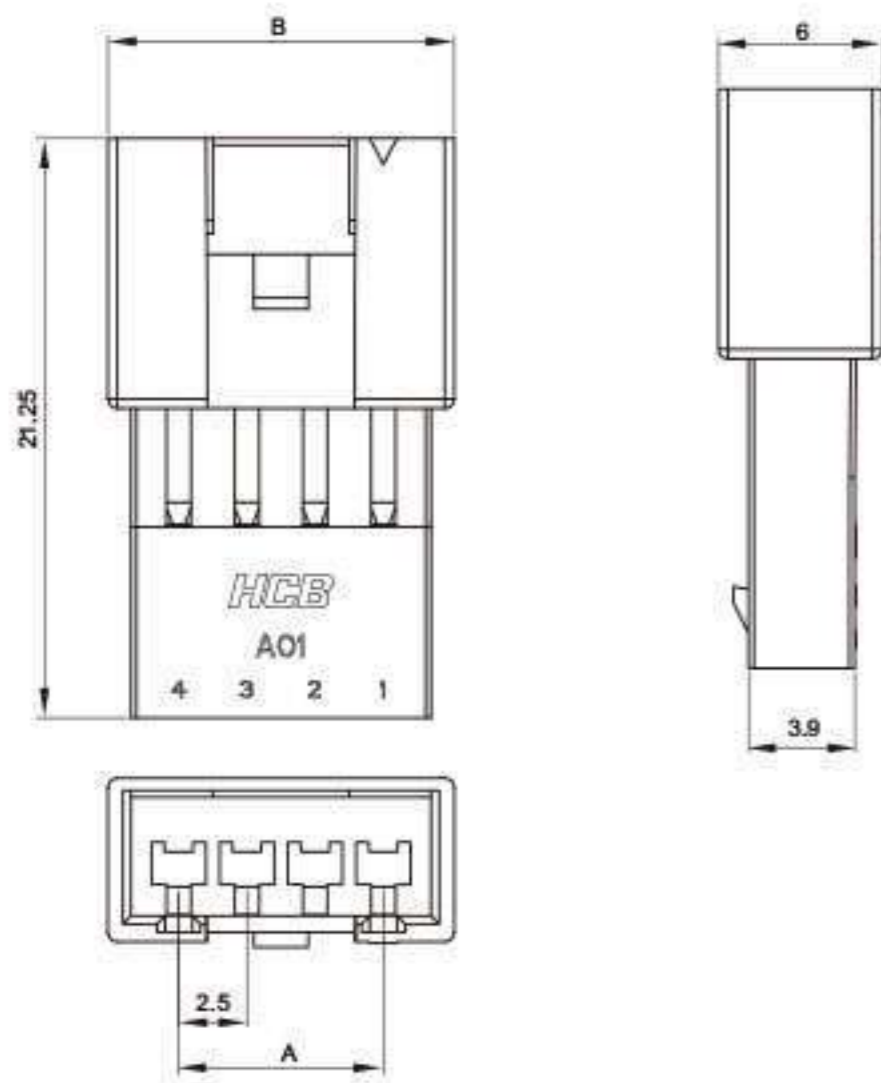
C25011-ANAD(SX003-NAD)



针座 WAFER

型号 Part No.	材质 Material	包装数量 Q'ty/bag	尺寸 Dimensions(mm)	
			A	B
C25011-A03AD	PA66	2K	5.0	10.0
C25011-A04AD		2K	7.5	12.5
C25011-A05AD		2K	10.0	15.0
C25011-A06AD		2K	12.5	17.5
C25011-A07AD		2K	15.0	20.0

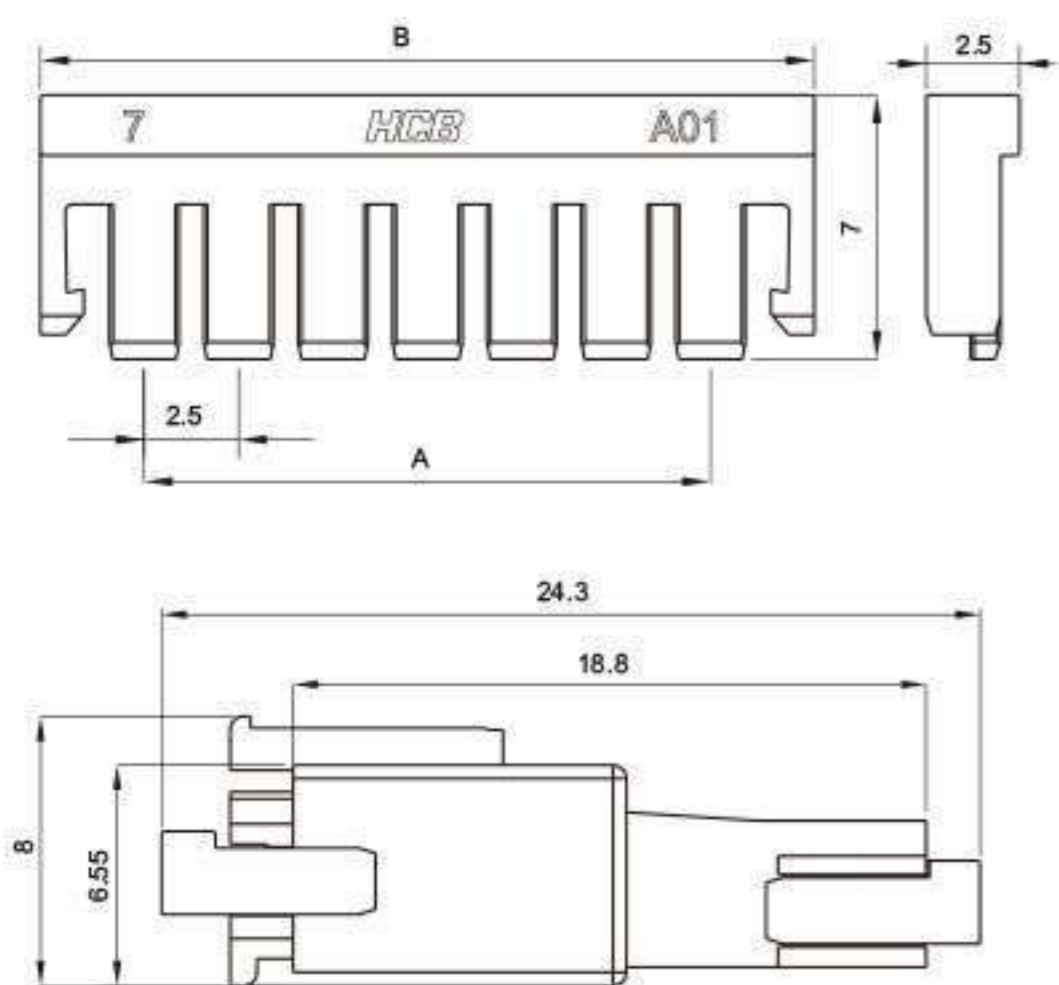
C25018-BNRS(25044-NRS)



母端 RECEPTACLE

型号 Part No.	材质 Material	包装数量 Q'ty/bag	尺寸 Dimensions(mm)	
			A	B
C25018-B04RS	PA66	1K	7.5	12.7

C25018-ANS(SMH250J-NRT)



锁片 TPA

型号 Part No.	材质 Material	包装数量 Q'ty/bag	尺寸 Dimensions(mm)	
			A	B
C25018-A04S	PA66	1K	7.5	13.0
C25018-A07S		1K	15.0	20.5

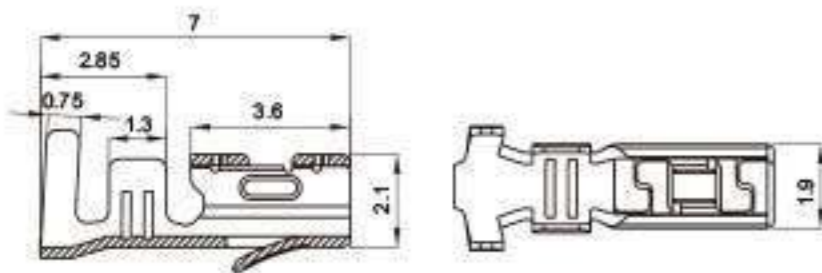


■ 技术参数 SPECIFICATIONS

- 线数 Number of positions: 2~4
- 适用线规 Applicable wires: 22~20AWG
- 温度范围 Temperature range: -40°C~105°C
(including temperature rise in applying electrical current)
- 额定电压 Voltage rating: 250V AC, DC Max.
- 额定电流 Current rating: 3A AC, DC Max.
- 接触电阻 Contact resistance: $\leq 10\text{m}\Omega$
- 绝缘电阻 Insulation resistance: $\geq 1000\text{M}\Omega$
- 耐压 Withstanding voltage: 1000V AC/minute

*Compliant with RoHS.

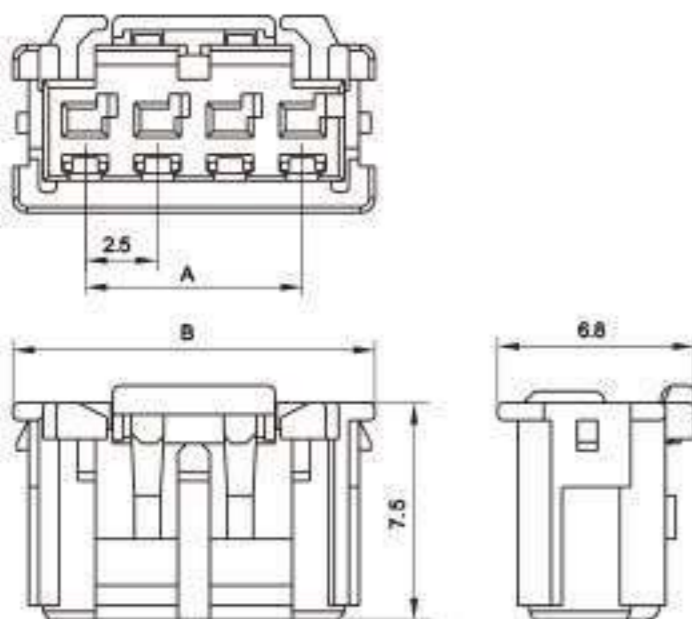
C25019-02PT (172621-M2)



端子 TERMINAL

型号 Part No.	材质 Material	料厚 Thickness	线规 Applicable wires		电线外径 Wire insulation O.D. mm	镀层 Plating	包装数量 Q'ty/reel
			AWG#	线径 mm ²			
C25019-02PT	Phosphor bronze	0.2	22~20	0.3~0.5	1.7~2.6	Tin Plated	8K

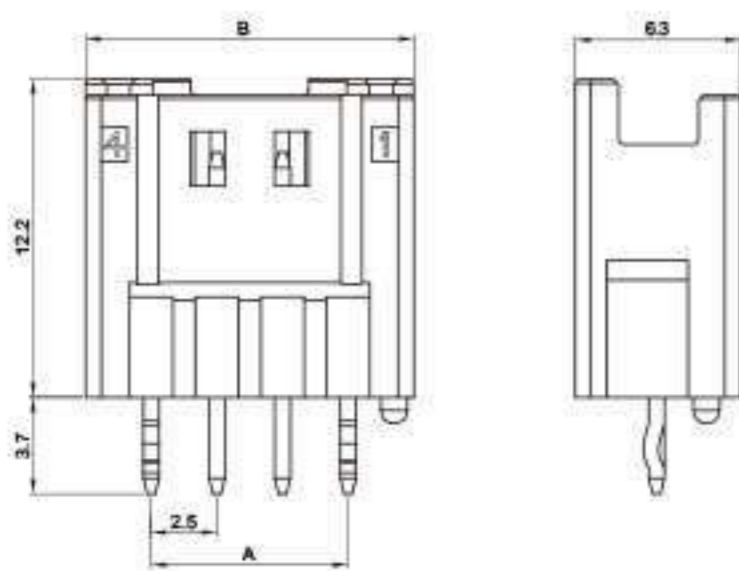
C25019-ANP(K4720-92**)



公端塑件 PLUG HOUSING

型号 Part No.	材质 Material	包装数量 Q'ty/bag	尺寸 Dimensions(mm)	
			A	B
C25019-A04P	PA66	1K	7.5	12.5

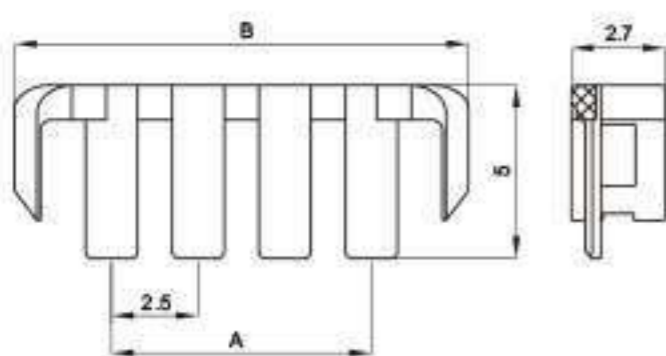
C25019-ANAD(K4750A-92**)



针座 WAFER

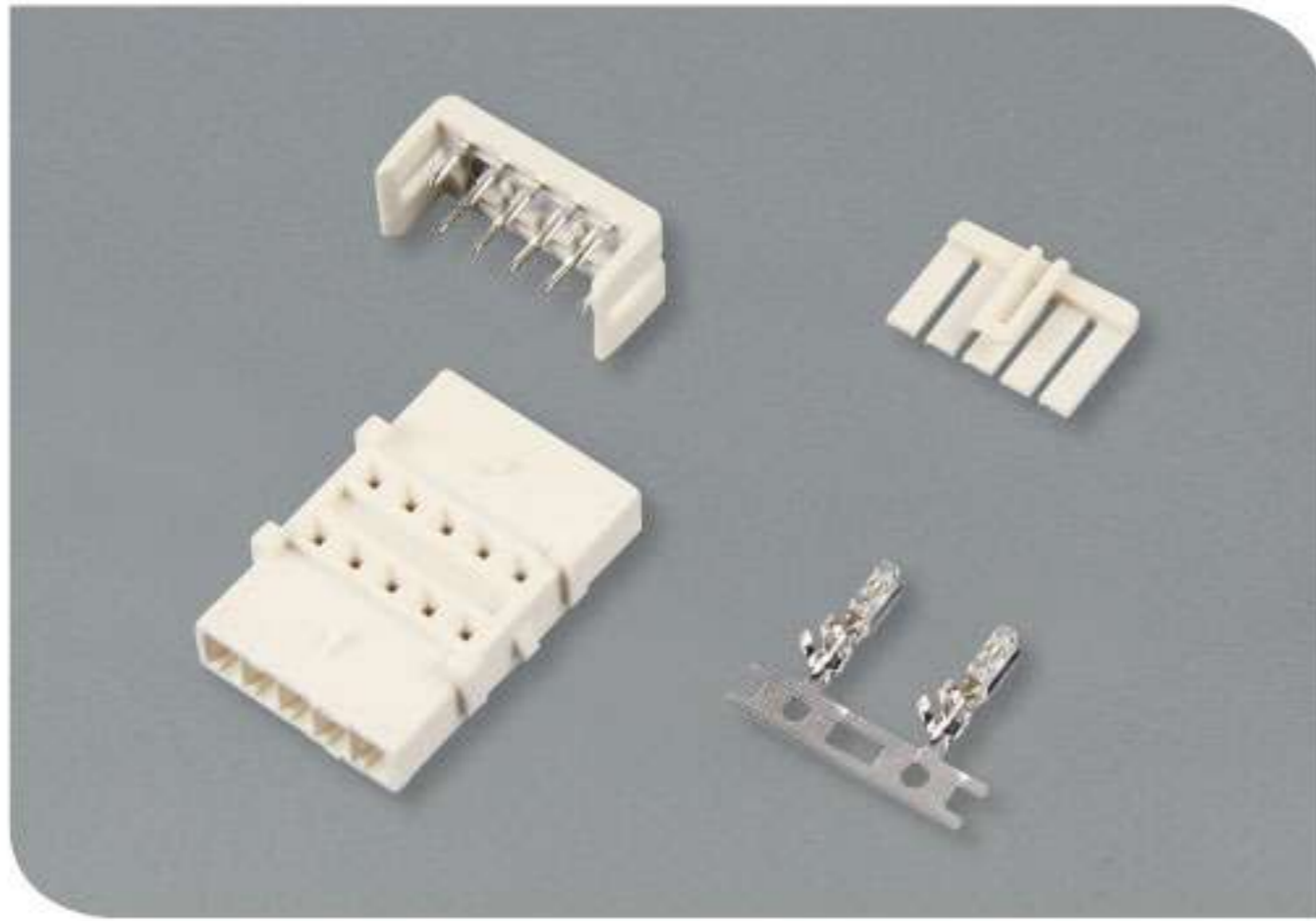
型号 Part No.	材质 Material	包装数量 Q'ty/bag	尺寸 Dimensions(mm)	
			A	B
C25019-A04AD	PA66	1K	7.5	12.5

C25019-ANS(K4790-95**)



锁片 TPA

型号 Part No.	材质 Material	包装数量 Q'ty/bag	尺寸 Dimensions(mm)	
			A	B
C25019-A04S	PA66	1K	7.5	13.1

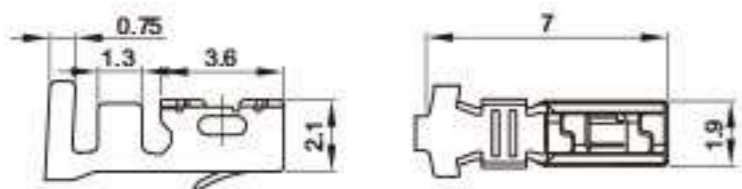


■ 技术参数 SPECIFICATIONS

- 线数 Number of positions: 5
- 适用线规 Applicable wires: 24~20AWG
- 温度范围 Temperature range: -40°C~105°C
(including temperature rise in applying electrical current)
- 额定电压 Voltage rating: 250V AC, DC Max.
- 额定电流 Current rating: 4A AC, DC Max.
- 接触电阻 Contact resistance: $\leq 10\text{m}\Omega$
- 绝缘电阻 Insulation resistance: $\geq 1000\text{M}\Omega$
- 耐压 Withstanding voltage: 1500V AC/minute

*Compliant with RoHS.

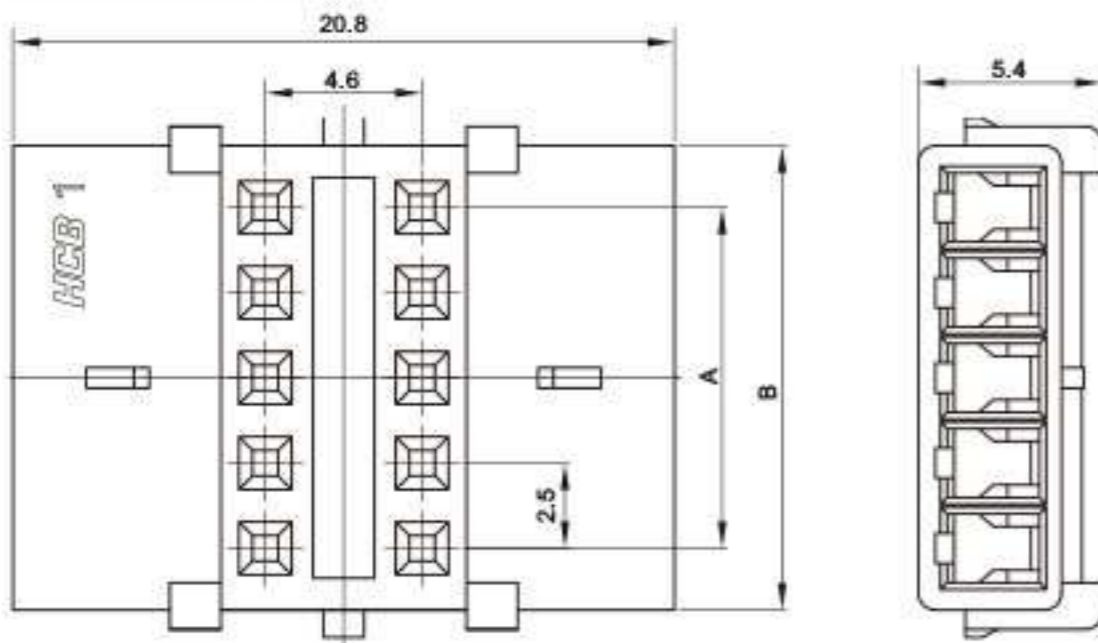
C25020-02PT



端子 TERMINAL

型号 Part No.	材质 Material	料厚 Thickness	线规 Applicable wires		电线外径 Wire insulation O.D. mm	镀层 Plating	包装数量 Q'ty/reel
			AWG#	线径 mm ²			
C25020-02PT	Phosphor bronze	0.25	24-20	0.22-0.5	1.5-2.6	Tin Plated	8K

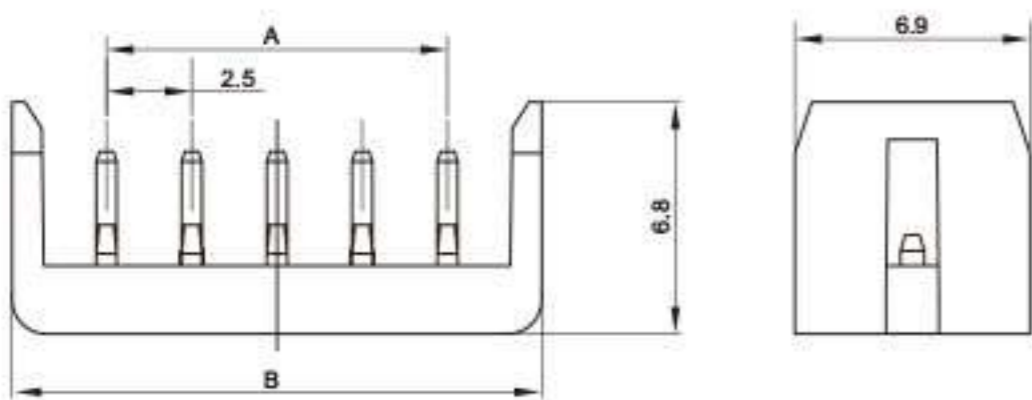
C25020-ANP



公端塑件 PLUG HOUSING

型号 Part No.	材质 Material	包装数量 Q'ty/bag	尺寸 Dimensions(mm)	
			A	B
C25020-A05P	PA66	1K	10.0	13.6

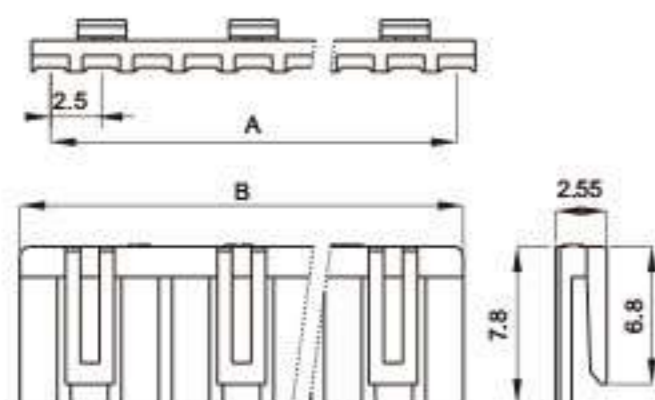
C25020-ANA



针座 WAFER

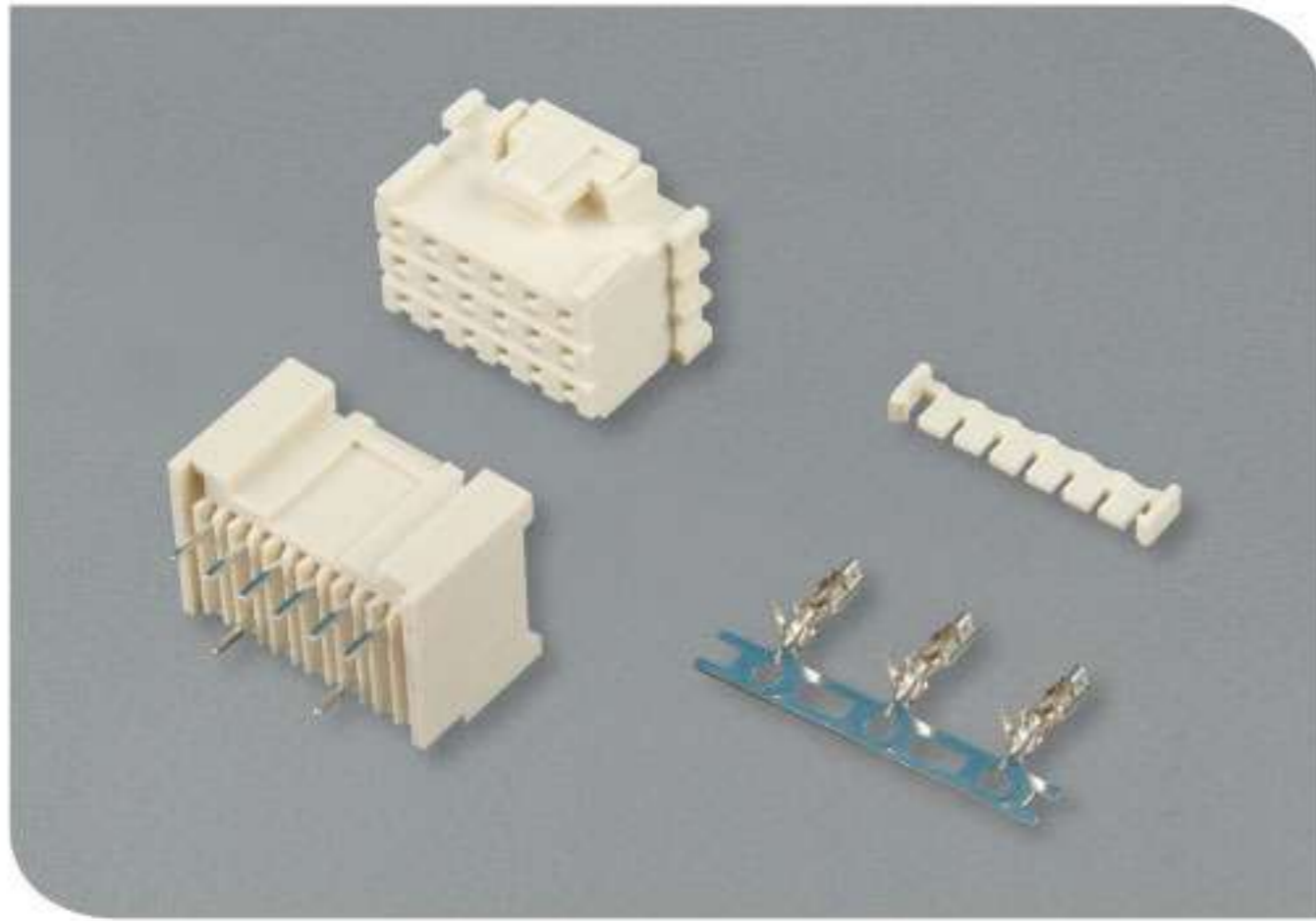
型号 Part No.	材质 Material	包装数量 Q'ty/bag	尺寸 Dimensions(mm)	
			A	B
C25020-A05A	PA66	0.5K	10.0	15.5

C25008-DNS(XMS-NV)



锁片 TPA

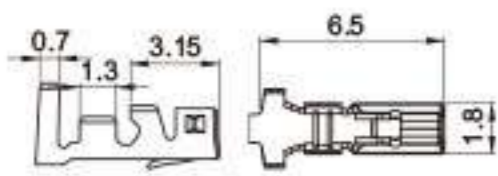
型号 Part No.	材质 Material	包装数量 Q'ty/bag	尺寸 Dimensions(mm)	
			A	B
C25008-D02S	PA66	1K	2.5	4.35
C25008-D03S		1K	5.0	6.85
C25008-D04S		1K	7.5	9.35
C25008-D05S		1K	10.0	11.85
C25008-D06S		1K	12.5	14.35
C25008-D07S		1K	15.0	16.85
C25008-D08S		1K	17.5	19.35
C25008-D09S		1K	20.0	21.85
C25008-D10S		1K	22.5	24.35
C25008-D11S		1K	25.0	26.85
C25008-D12S		1K	27.5	29.35
C25008-D13S		1K	30.0	31.85
C25008-D14S		1K	32.5	34.35
C25008-D15S		1K	35.0	36.85
C25008-D16S		1K	37.5	39.35



■ 技术参数 SPECIFICATIONS

- 线数 Number of positions: 18
 - 适用线规 Applicable wires: 26~22AWG
 - 温度范围 Temperature range: -40°C~105°C
(including temperature rise in applying electrical current)
 - 额定电压 Voltage rating: 250V AC, DC Max.
 - 额定电流 Current rating: 3A AC, DC Max.
 - 接触电阻 Contact resistance: ≤ 10mΩ
 - 绝缘电阻 Insulation resistance: ≥ 1000MΩ
 - 耐压 Withstanding voltage: 1000V AC/minute
- *Compliant with RoHS.

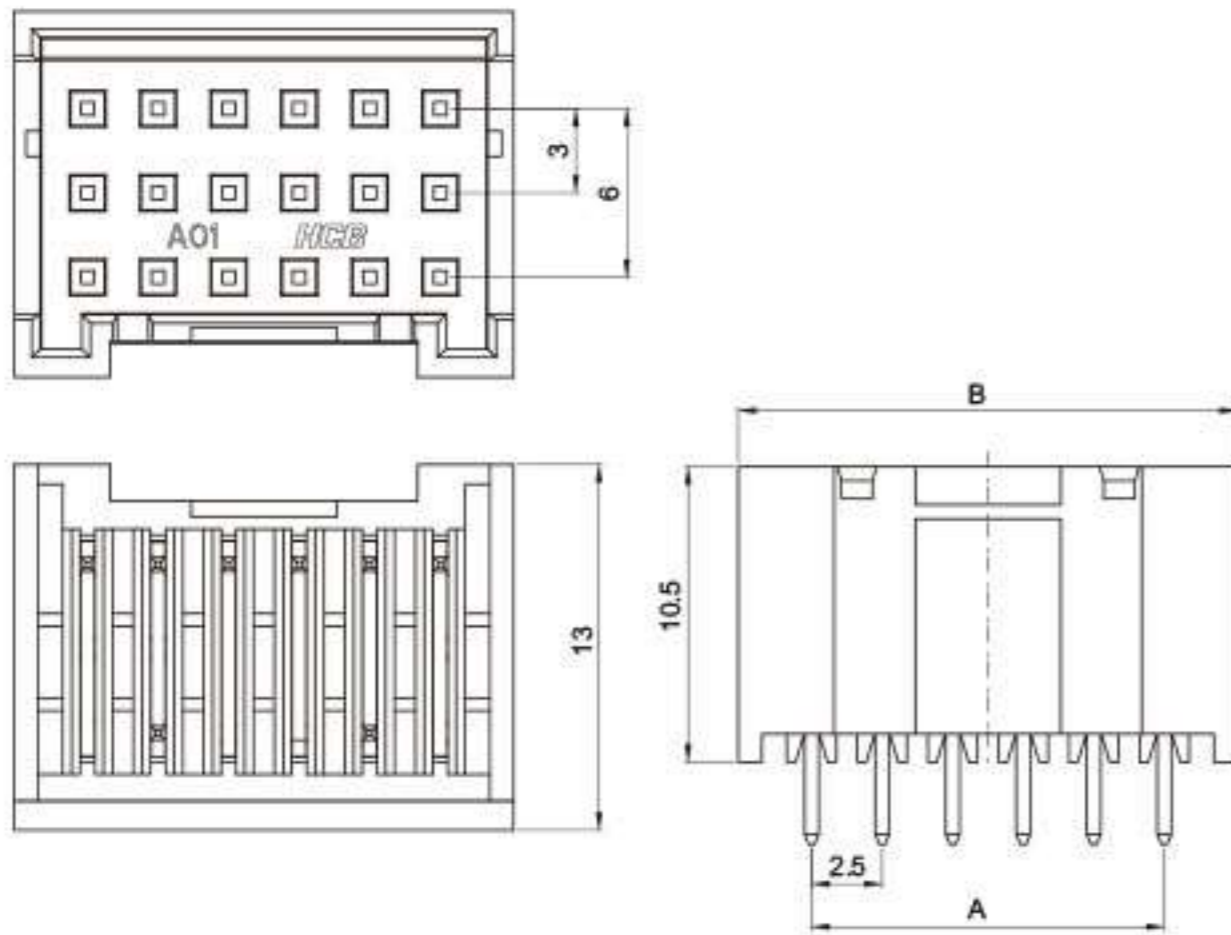
C25020-01PT



端子 TERMINAL

型号 Part No.	材质 Material	料厚 Thickness	线规 Applicable wires		电线外径 Wire insulation O.D. mm	镀层 Plating	包装数量 Q'ty/reel
			AWG#	线径 mm ²			
C25021-01PT	Phosphor bronze	0.2	26-22	0.13-0.33	1.3-1.7	Tin Plated	8K

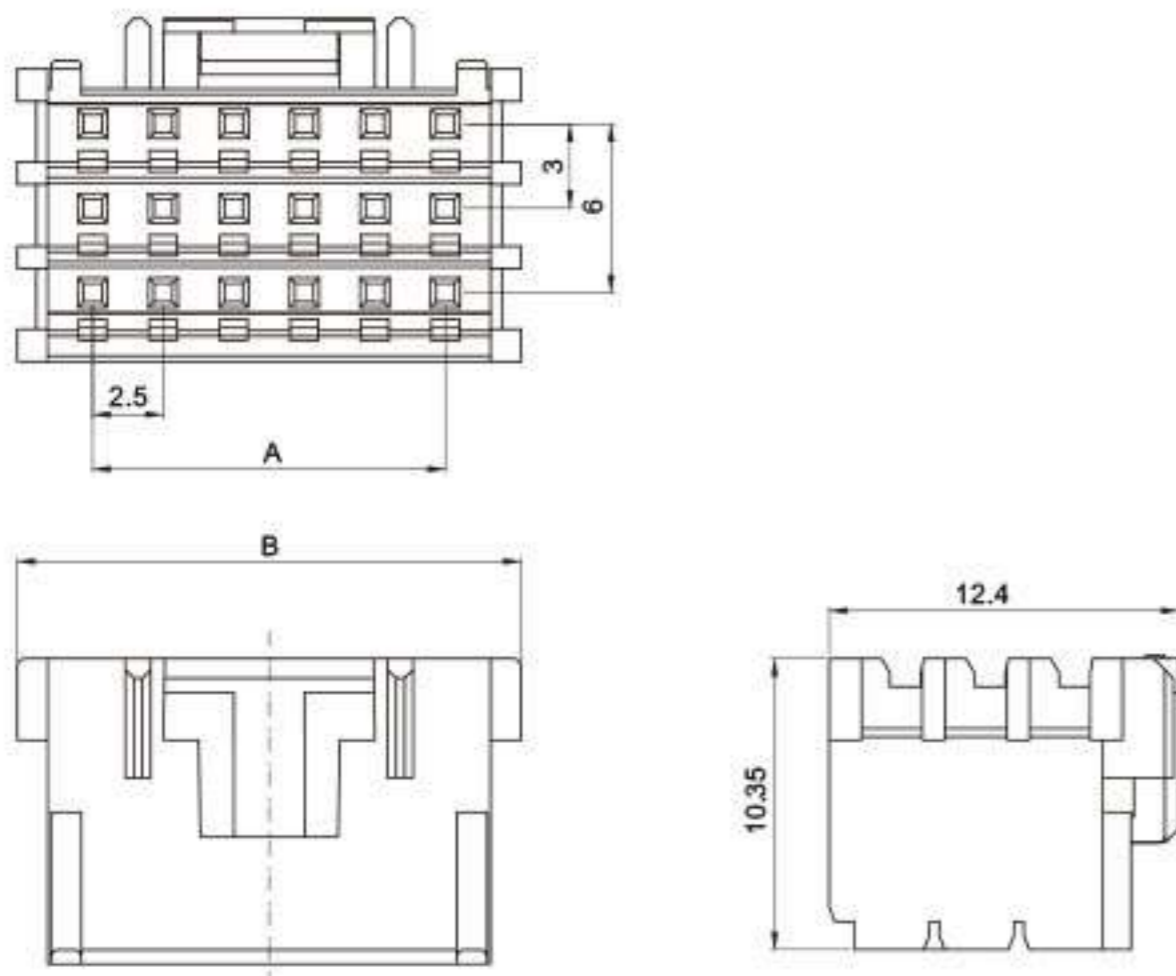
C25021-ANA



针座 WAFER

型号 Part No.	材质 Material	包装数量 Q'ty/bag	尺寸 Dimensions(mm)	
			A	B
C25021-A18A	PA66	0.17K	12.5	17.7

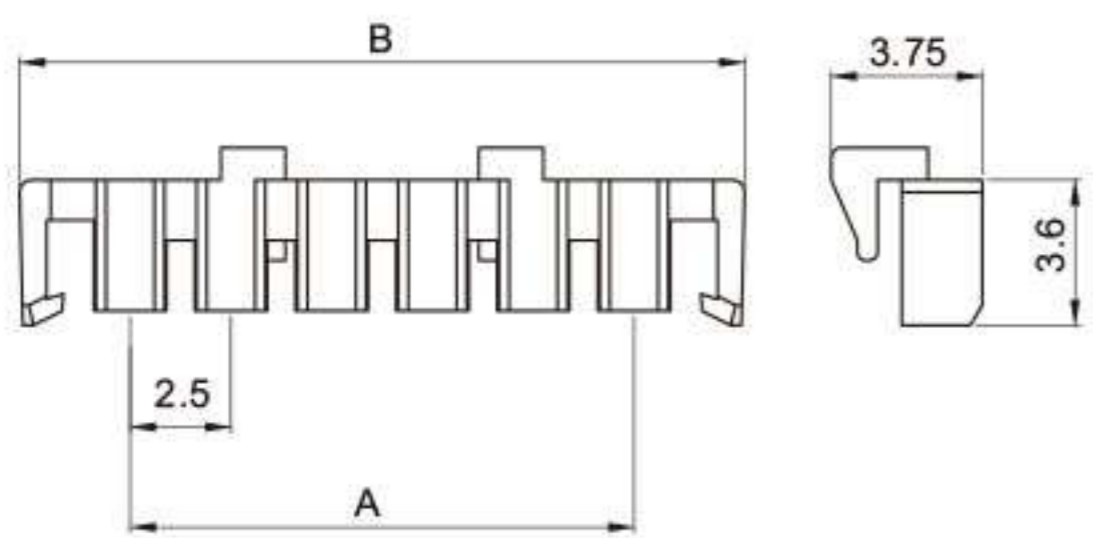
C25021-ANP



公端塑件 PLUG HOUSING

型号 Part No.	材质 Material	包装数量 Q'ty/bag	尺寸 Dimensions(mm)	
			A	B
C25021-A18P	PA66	0.5K	12.5	17.85

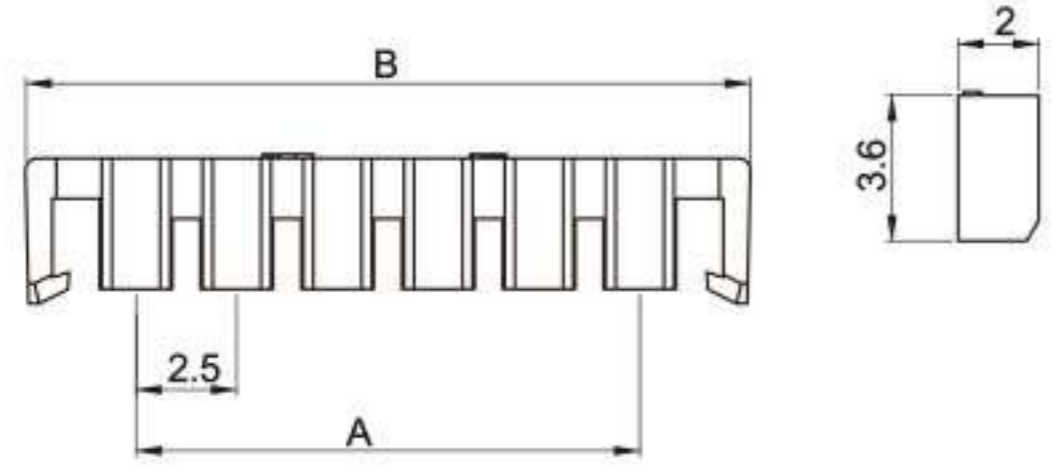
C25021-ANS-2



锁片 TPA

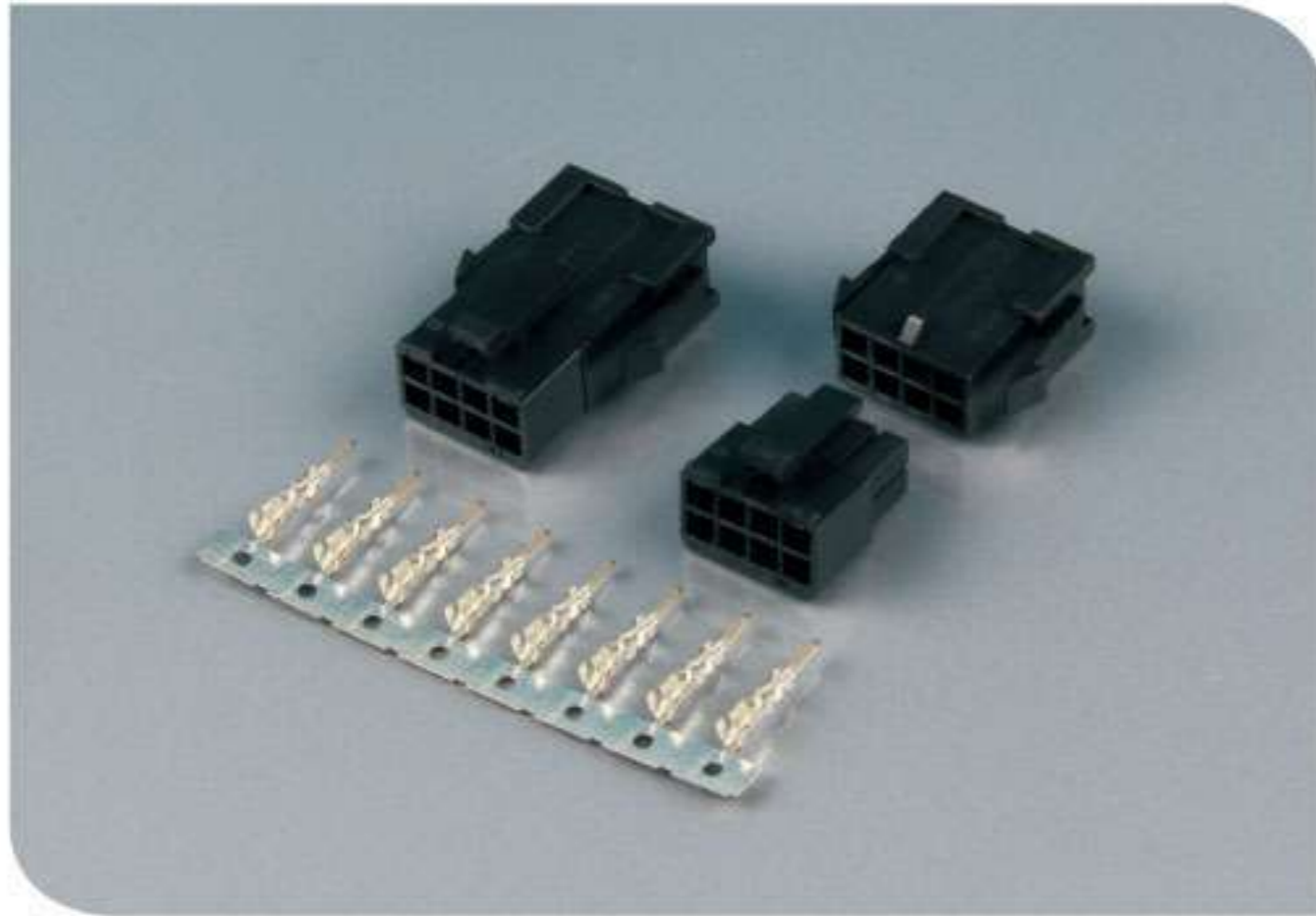
型号 Part No.	材质 Material	包装数量 Q'ty/bag	尺寸 Dimensions(mm)	
			A	B
C25021-A06S-2	PA66	2K	12.5	18.0

C25021-ANS



锁片 TPA

型号 Part No.	材质 Material	包装数量 Q'ty/bag	尺寸 Dimensions(mm)	
			A	B
C25021-A06S	PA66	2K	12.5	18.0

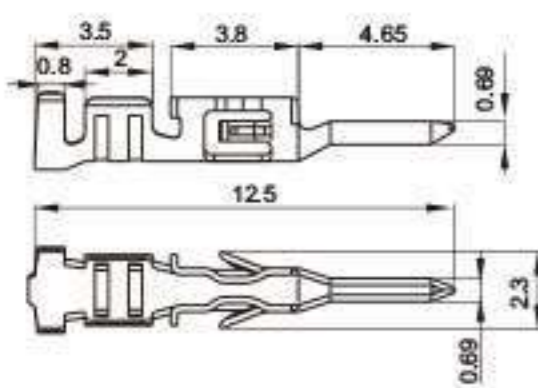


■ 技术参数 SPECIFICATIONS

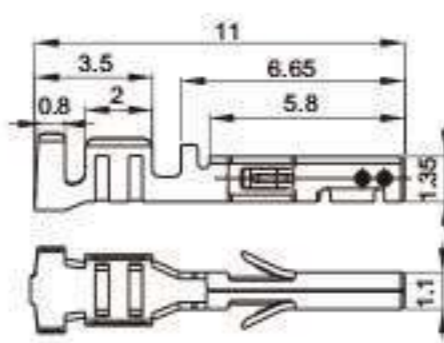
- 线数 Number of positions: 2~20
- 适用线规 Applicable wires: 24~20AWG
- 温度范围 Temperature range: -40°C~105°C
(including temperature rise in applying electrical current)
- 额定电压 Voltage rating: 250V AC, DC Max.
- 额定电流 Current rating: 4A AC, DC Max.
- 接触电阻 Contact resistance: ≤ 10mΩ
- 绝缘电阻 Insulation resistance: ≥ 1000MΩ
- 耐压 Withstanding voltage: 1500V AC/minute

*Compliant with RoHS.

C30001-01RT(43031-0001)



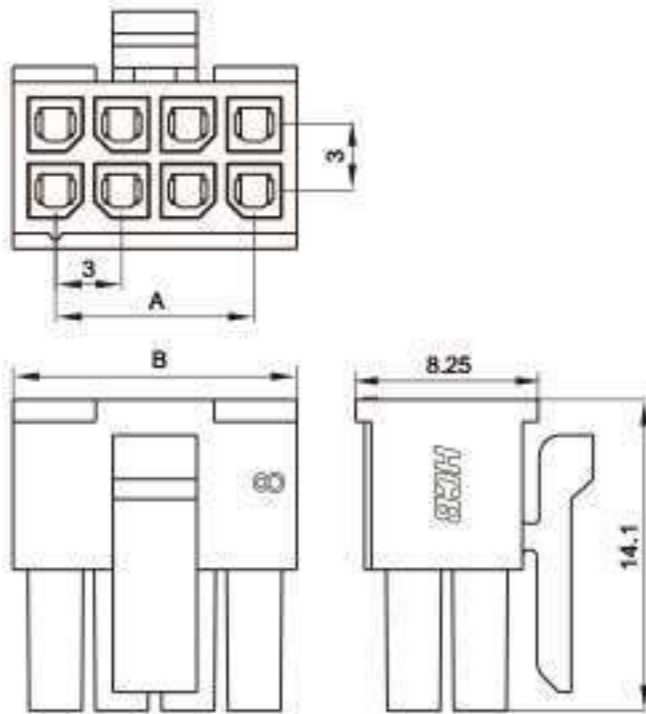
C30001-01PT(43031-0001)



端子 TERMINAL

型号 Part No.	材质 Material	料厚 Thickness	线规 Applicable wires		电线外径 Wire insulation O.D. mm	镀层 Plating	包装数量 Q'ty/reel
			AWG#	线径 mm ²			
C30001-01RT	Phosphor bronze	0.2	24-20	0.22-0.5	1.5-2.6	Tin Plated	5K
C30001-01PT	Phosphor bronze	0.2	24-20	0.22-0.5	1.5-2.6	Tin Plated	5K

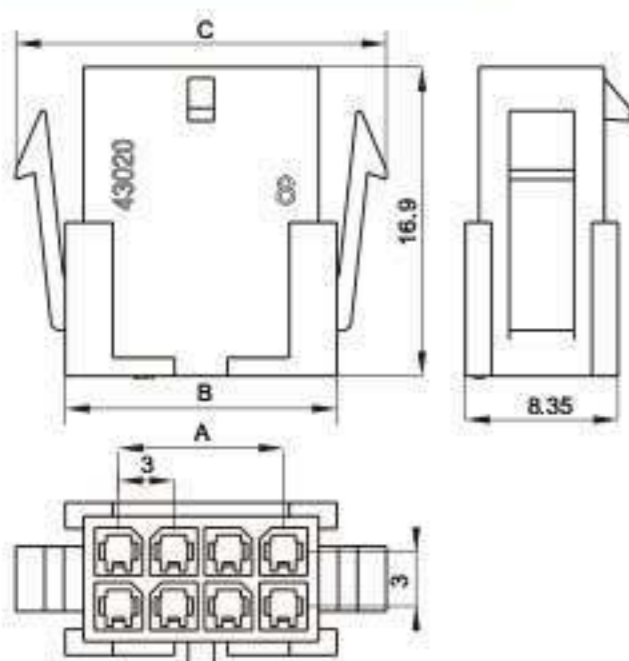
C30001-ANP(43025-**00)



公端塑件 PLUG HOUSING

型号 Part No.	材质 Material	包装数量 Q'ty/bag	尺寸 Dimensions(mm)	
			A	B
C30001-A04P	PA66	1K	3.0	6.85
C30001-A05P		1K	6.0	9.85
C30001-A06P		1K	9.0	12.85
C30001-A08P		1K	15.0	15.85
C30001-A12P		1K	18.0	18.85
C30001-A20P		1K	21.0	21.85

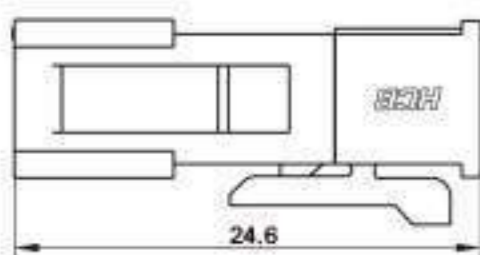
C30001-ANR(43020-**00)



母端塑件 RECEPTACLE

型号 Part No.	材质 Material	包装数量 Q'ty/bag	尺寸 Dimensions(mm)		
			A	B	C
C30001-A02R	PA66	1K	3.0	5.26	10.86
C30001-A06R		1K	6.0	11.35	16.85
C30001-A08R		1K	9.0	14.85	19.85
C30001-A12R		1K	15.0	20.85	25.85
C30001-A20R		1K	27.0	32.45	37.85

安装示意图



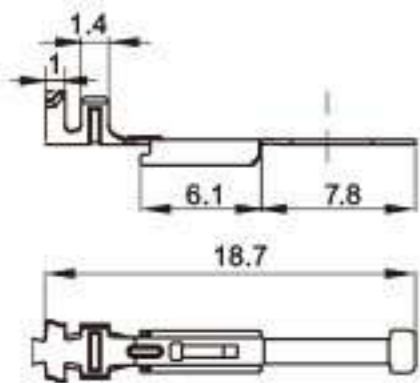


■ 技术参数 SPECIFICATIONS

- 线数 Number of positions: 6
- 适用线规 Applicable wires: 22~20AWG
- 温度范围 Temperature range: -40°C~105°C
(including temperature rise in applying electrical current)
- 额定电压 Voltage rating: 250V AC, DC Max.
- 额定电流 Current rating: 4A AC, DC Max.
- 接触电阻 Contact resistance: $\leq 10\text{m}\Omega$
- 绝缘电阻 Insulation resistance: $\geq 1000\text{M}\Omega$
- 耐压 Withstanding voltage: 1700V AC/minute

*Compliant with RoHS.

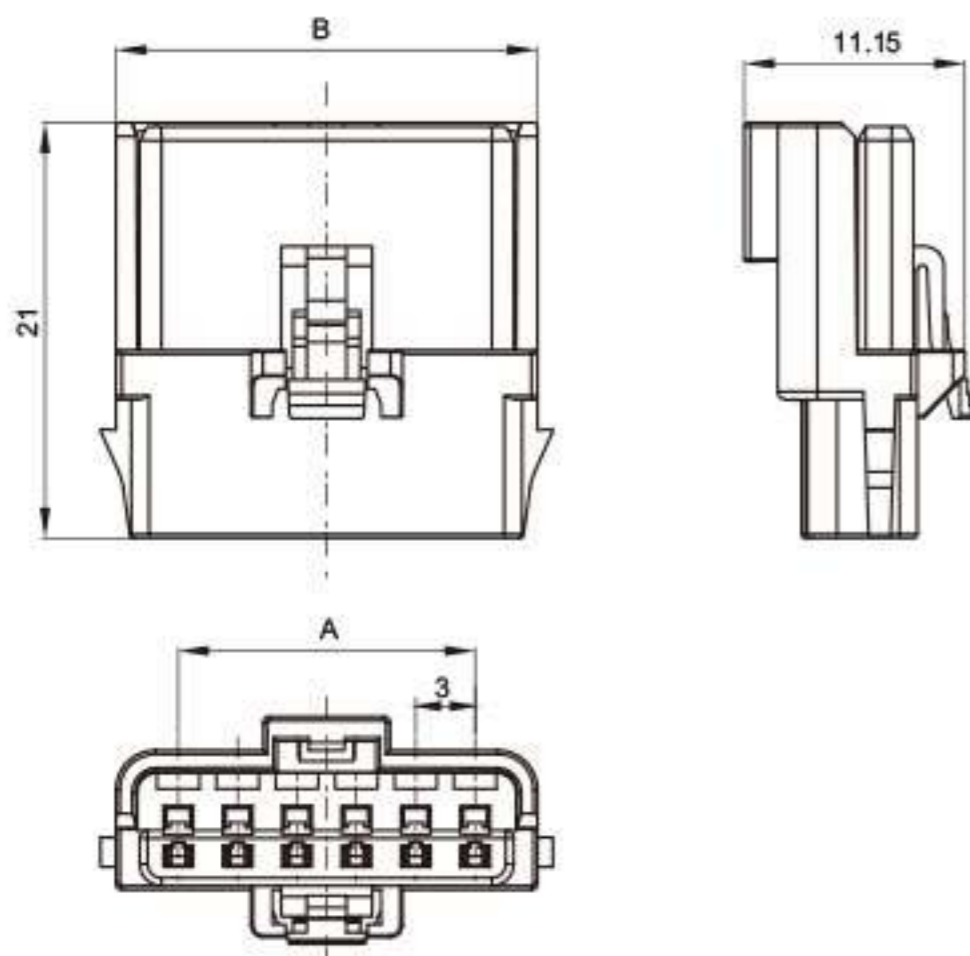
C30002-02PT(150200001)



端子 TERMINAL

型号 Part No.	材质 Material	料厚 Thickness	线规 Applicable wires		电线外径 Wire insulation O.D. mm	镀层 Plating	包装数量 Q'ty/reel
			AWG#	线径 mm ²			
C30002-02PT	Phosphor bronze	0.25	22-20	0.33-0.5	1.7-2.6	Tin Plated	8K

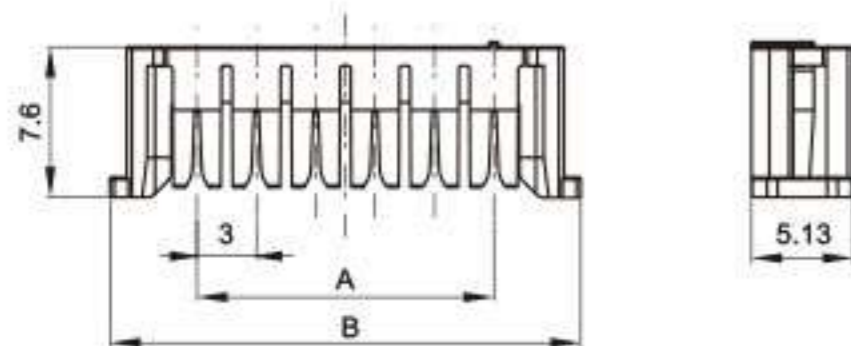
C30002-ANP(150170006)



公端塑件 PLUG HOUSING

型号 Part No.	材质 Material	包装数量 Q'ty/bag	尺寸 Dimensions(mm)	
			A	B
C30002-A06P	PA66	1K	15.0	21.3

C30002-ANS(150212006)



锁片 TPA

型号 Part No.	材质 Material	包装数量 Q'ty/bag	尺寸 Dimensions(mm)	
			A	B
C30002-A06S	PA66	2K	15.0	23.8

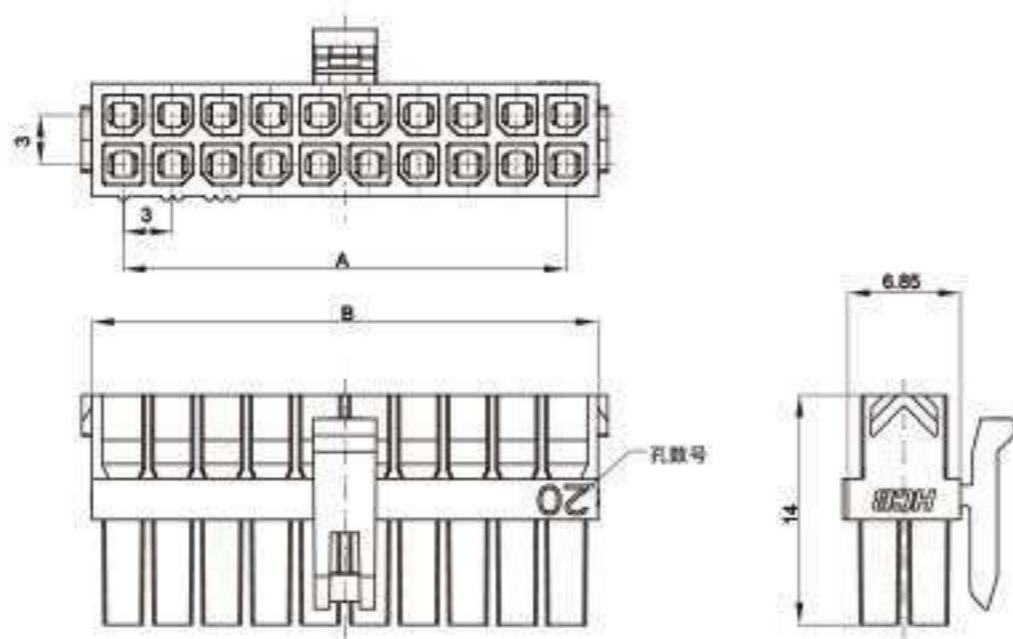


■ 技术参数 SPECIFICATIONS

- 线数 Number of positions: 10~20
- 适用线规 Applicable wires: 24~20AWG
- 温度范围 Temperature range: -40°C~105°C
(including temperature rise in applying electrical current)
- 额定电压 Voltage rating: 250V AC, DC Max.
- 额定电流 Current rating: 4A AC, DC Max.
- 接触电阻 Contact resistance: ≤ 10mΩ
- 绝缘电阻 Insulation resistance: ≥ 1000MΩ
- 耐压 Withstanding voltage: 1000V AC/minute

*Compliant with RoHS.

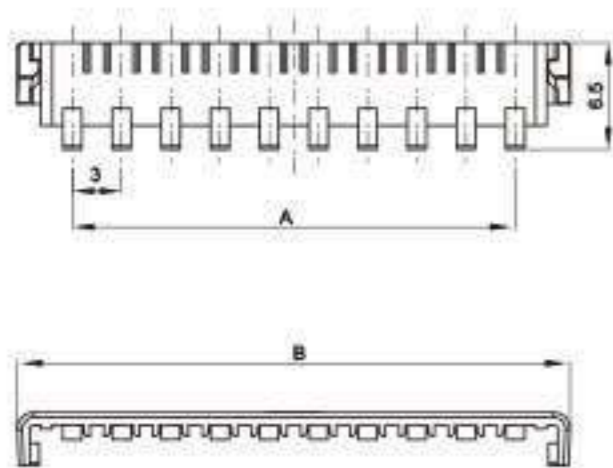
C30003-ANP(172952-**01)



公端塑件 PLUG HOUSING

型号 Part No.	材质 Material	包装数量 Q'ty/bag	尺寸 Dimensions(mm)	
			A	B
C30003-A10P	PA66	1K	12.0	15.85
C30003-A20P		1K	27.0	30.85

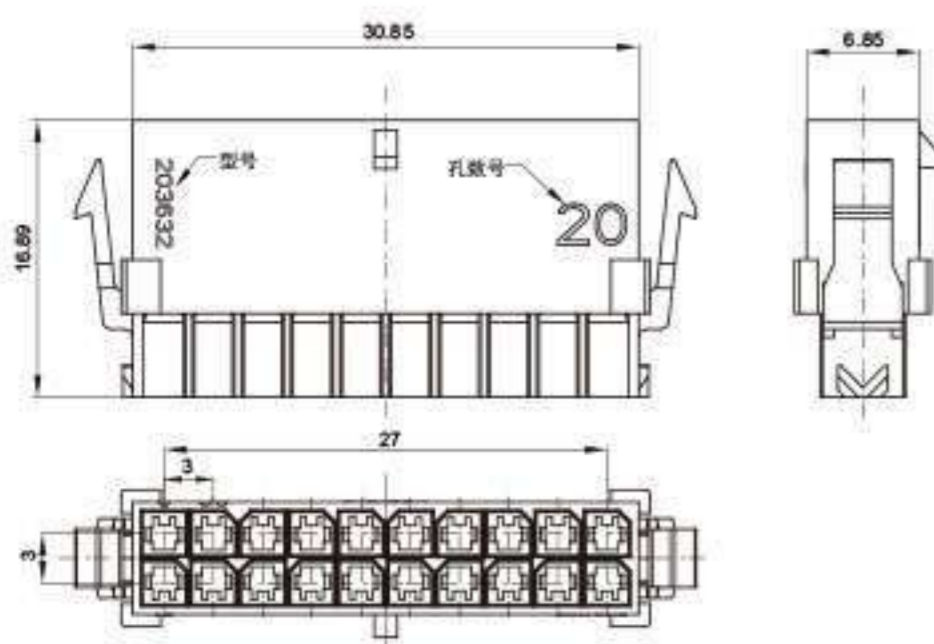
C30003-ANS(172953-**01)



公端塑件 PLUG HOUSING

型号 Part No.	材质 Material	包装数量 Q'ty/bag	尺寸 Dimensions(mm)	
			A	B
C30003-A10S	PA66	1K	12.0	18.7
C30003-A20S		1K	27.0	33.7

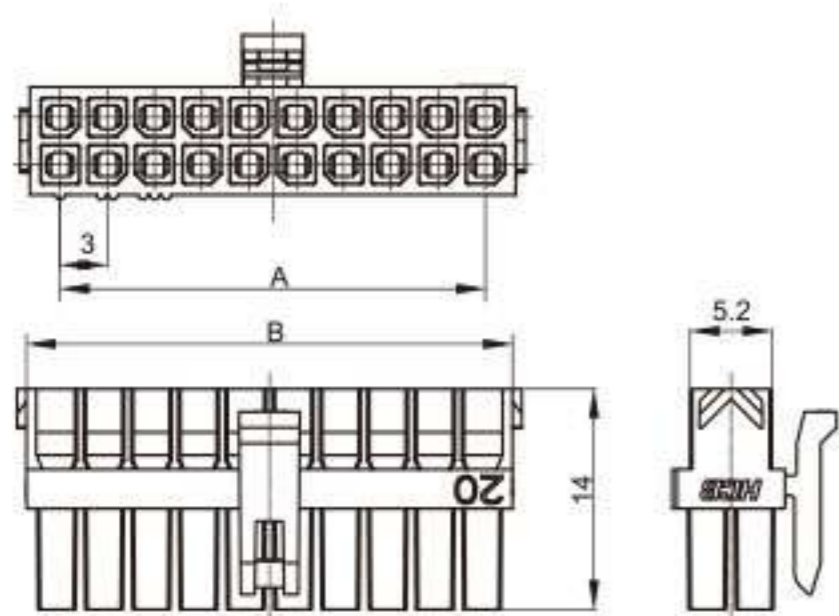
C30003-ANR(203632-2000)



母端塑件 RECEPTACLE

型号 Part No.	材质 Material	包装数量 Q'ty/bag	尺寸 Dimensions(mm)	
			A	B
C30003-A10R	PA66	0.5K	12.0	15.85
C30003-A20R		0.5K	27.0	30.85

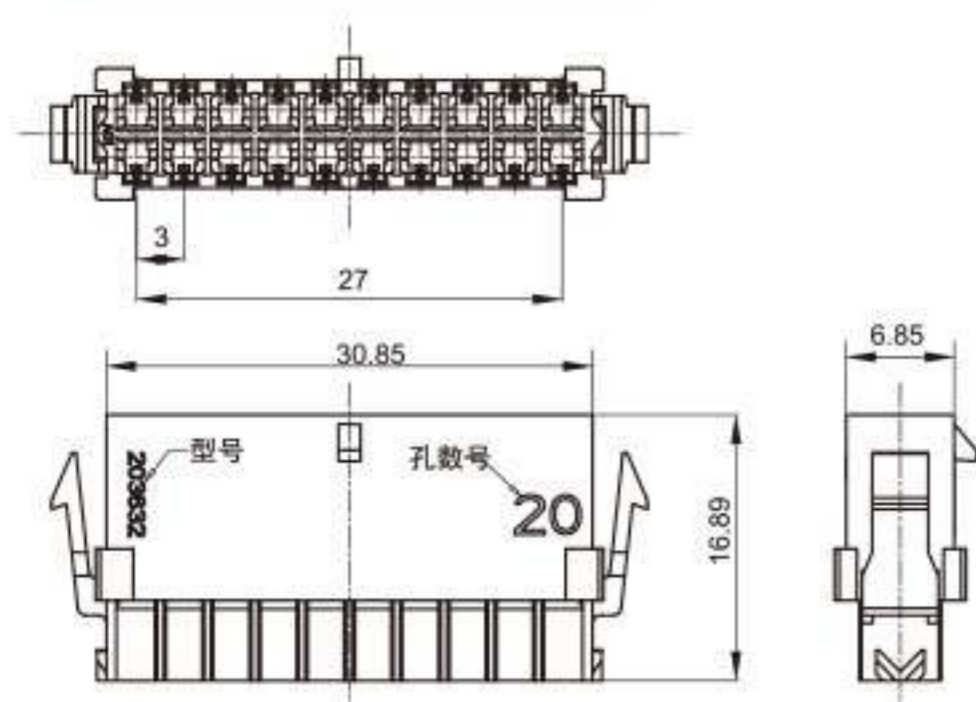
C30003-ANP(172952-**01)



公端塑件 PLUG HOUSING

型号 Part No.	材质 Material	包装数量 Q'ty/bag	尺寸 Dimensions(mm)	
			A	B
C30003-A10P	PA66	2K	12.0	15.85
C30003-A20P		1K	27.0	30.85

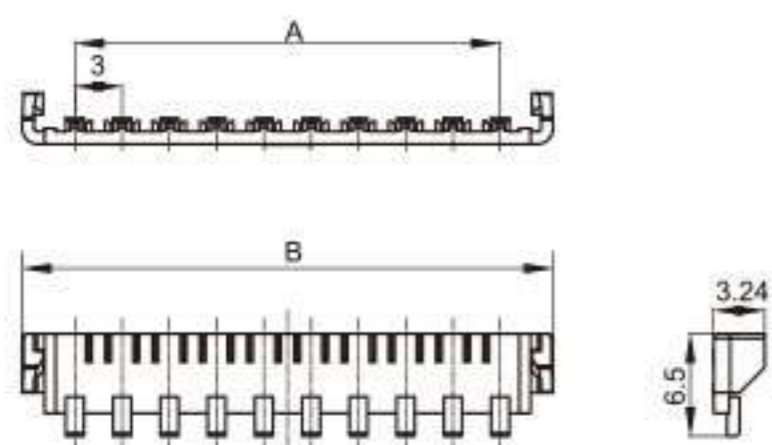
C30003-ANR(203632-**00)



母端塑件 RECEPTACLE

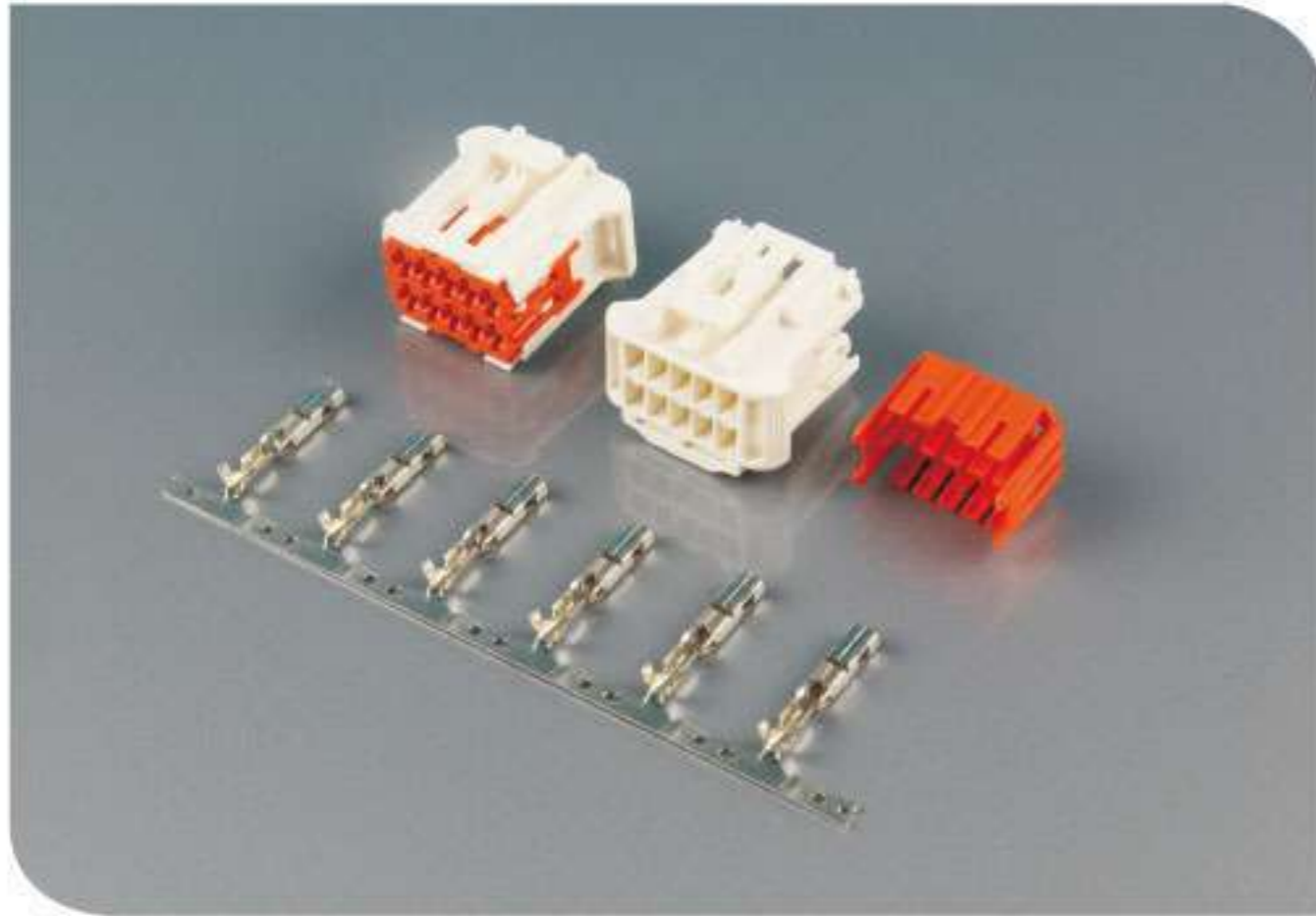
型号 Part No.	材质 Material	包装数量 Q'ty/bag	尺寸 Dimensions(mm)	
			A	B
C30003-A10R	PA66	1K	12.0	15.85
C30003-A20R		1K	27.0	30.85

C30003-ANS(172953-**01)



锁片 TPA

型号 Part No.	材质 Material	包装数量 Q'ty/bag	尺寸 Dimensions(mm)	
			A	B
C30003-A10S	PA66	2K	12.0	18.7
C30003-A20S		1K	27.0	33.7

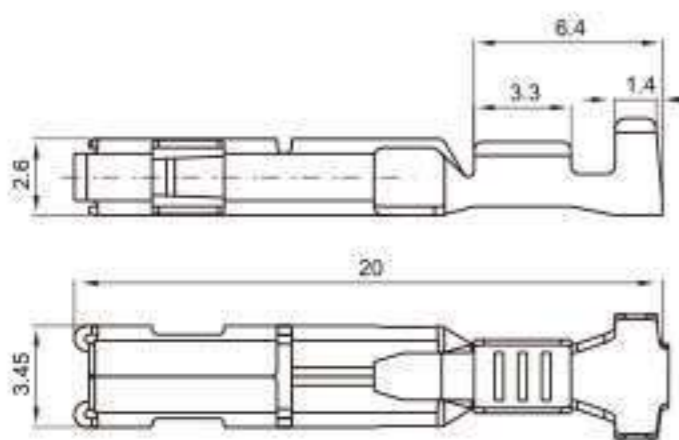


■ 技术参数 SPECIFICATIONS

- 线数 Number of positions: 10
- 适用线规 Applicable wires: 22~18AWG
- 温度范围 Temperature range: -40°C~105°C
(including temperature rise in applying electrical current)
- 额定电压 Voltage rating: 250V AC, DC Max.
- 额定电流 Current rating: 6A AC, DC Max.
- 接触电阻 Contact resistance: ≤ 10mΩ
- 绝缘电阻 Insulation resistance: ≥ 1000MΩ
- 耐压 Withstanding voltage: 1500V AC/minute

*Compliant with RoHS.

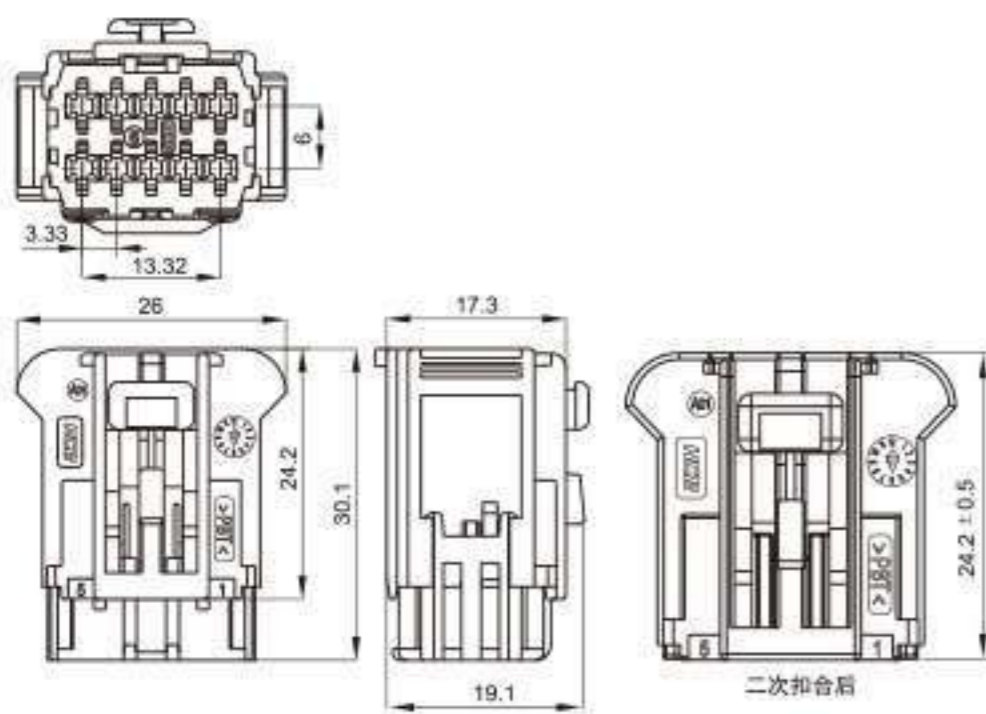
C33301-01RT(988971119)



端子 TERMINAL

型号 Part No.	材质 Material	料厚 Thickness	线规 Applicable wires		电线外径 Wire insulation O.D. mm	镀层 Plating	包装数量 Q'ty/reel
			AWG#	线径 mm ²			
C33301-01PT	Phosphor bronze	0.3	22-18	0.5-0.75	2.6-2.8	Tin Plated	3.5K

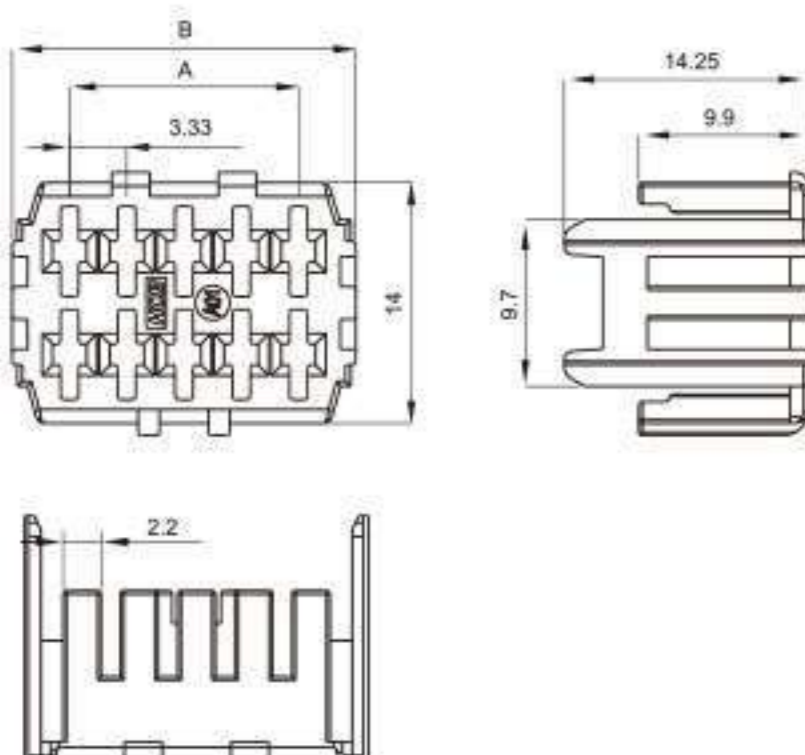
C33301-ANP(988161010)



公端塑件 PLUG HOUSING

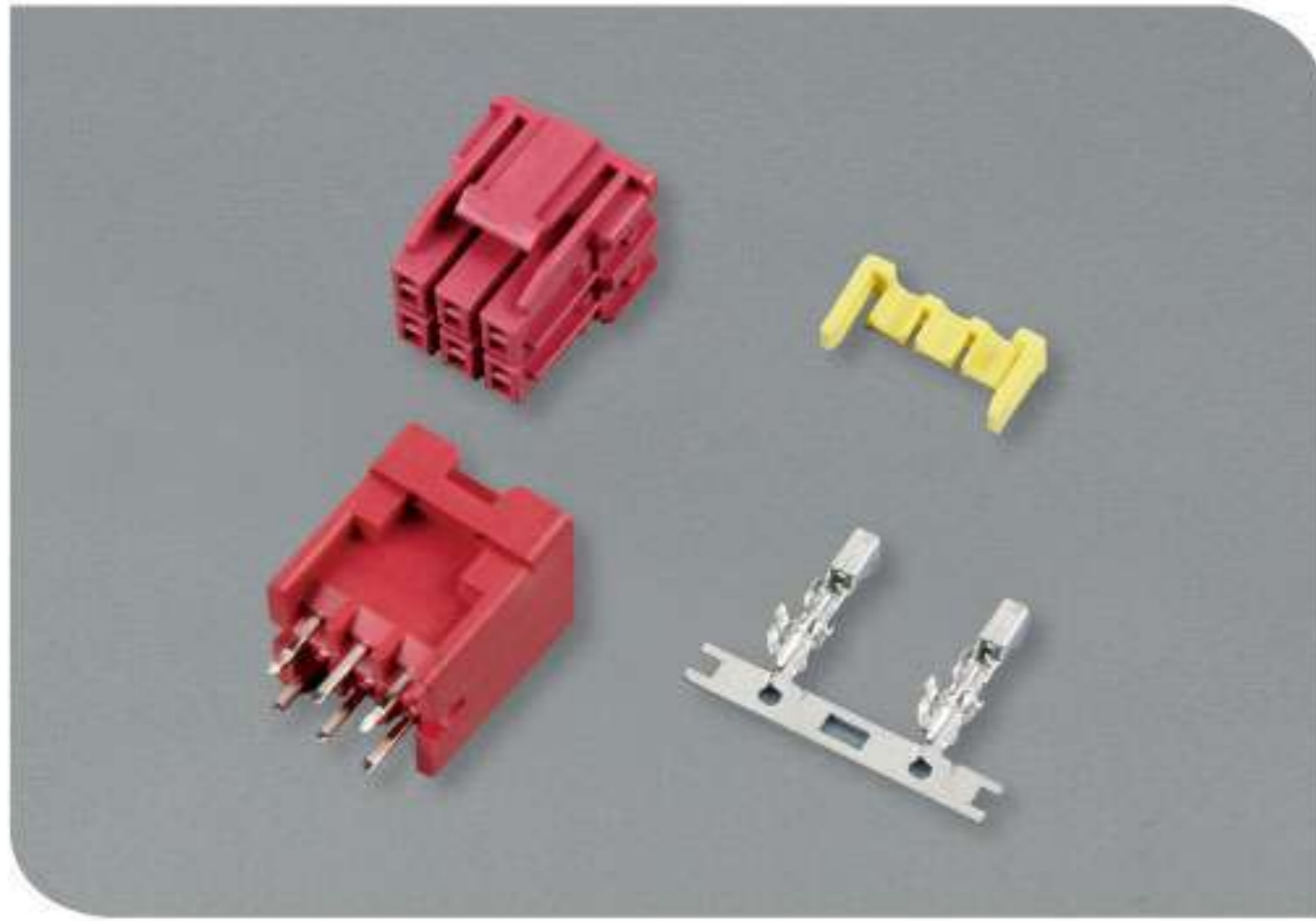
型号 Part No.	材质 Material	包装数量 Q'ty/bag	尺寸 Dimensions(mm)	
			A	B
C33301-A10P	PBT	0.5K	/	/

C33301-ANS(9881610-NS)



锁片 TPA

型号 Part No.	材质 Material	包装数量 Q'ty/bag	尺寸 Dimensions(mm)	
			A	B
C33301-A10S	PBT	0.5K	13.32	20.0

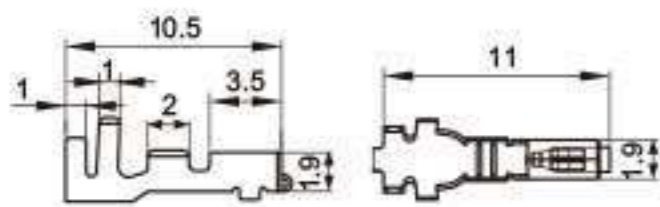


■ 技术参数 SPECIFICATIONS

- 线数 Number of positions: 4~6
- 适用线规 Applicable wires: 22~20AWG
- 温度范围 Temperature range: -40°C~105°C
(including temperature rise in applying electrical current)
- 额定电压 Voltage rating: 250V AC, DC Max.
- 额定电流 Current rating: 4A AC, DC Max.
- 接触电阻 Contact resistance: $\leq 10\text{m}\Omega$
- 绝缘电阻 Insulation resistance: $\geq 1000\text{M}\Omega$
- 耐压 Withstanding voltage: 1500V AC/minute

*Compliant with RoHS.

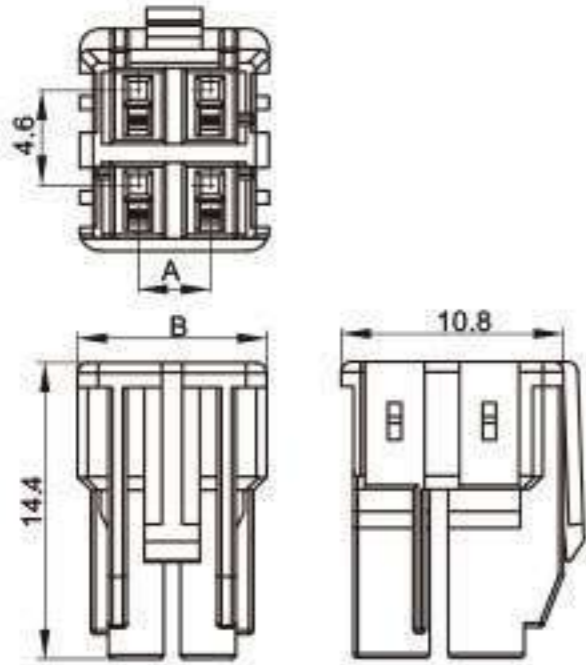
C35002-01PT(172197-2M)



端子 TERMINAL

型号 Part No.	材质 Material	料厚 Thickness	线规 Applicable wires		电线外径 Wire insulation O.D. mm	镀层 Plating	包装数量 Q'ty/reel
			AWG#	线径 mm ²			
C35002-01PT	Phosphor bronze	0.2	22~20	0.33~0.5	1.7~2.6	Tin Plated	4K

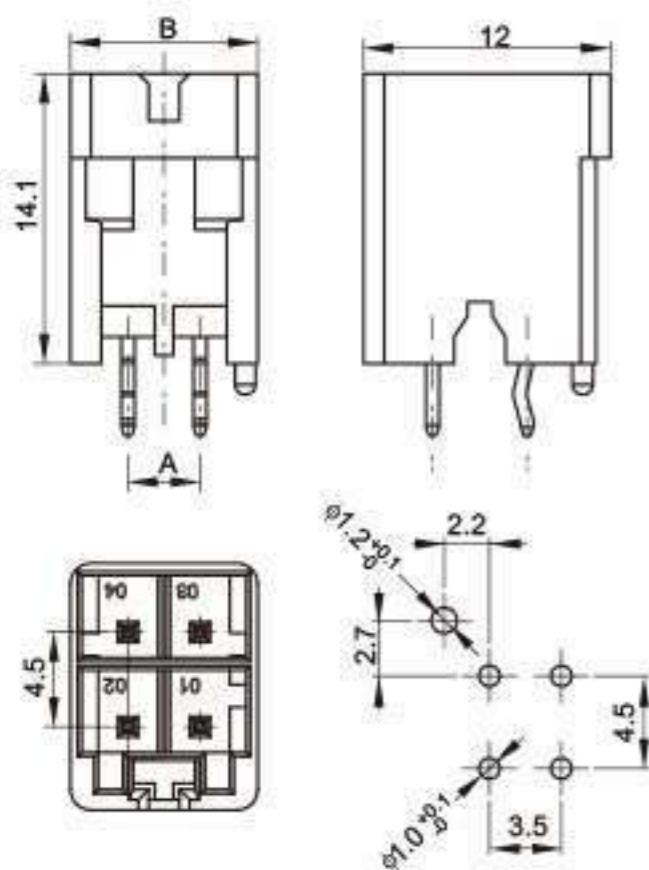
C35002-ANP(N7840-93**)



公端塑件 PLUG HOUSING

型号 Part No.	材质 Material	包装数量 Q'ty/bag	尺寸 Dimensions(mm)	
			A	B
C35002-A04P	PA66	1K	3.5	9.2
C35002-A06P		1K	7.0	12.7

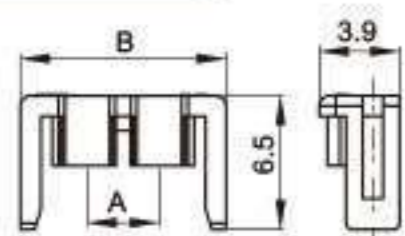
C35002-ANA(N7830-93**)



针座 WAFER

型号 Part No.	材质 Material	包装数量 Q'ty/bag	尺寸 Dimensions(mm)	
			A	B
C35002-A04A	PA66	1K	3.5	9.2
C35002-A06A		1K	7.0	12.7

C35002-ANS



锁片 TPA

型号 Part No.	材质 Material	包装数量 Q'ty/bag	尺寸 Dimensions(mm)	
			A	B
C35002-A04S	PA66	2K	3.5	10.0
C35002-A06S		1K	7.0	13.5

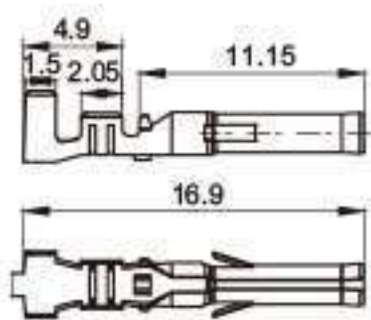


■ 技术参数 SPECIFICATIONS

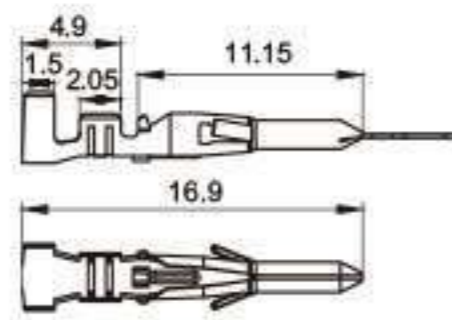
- 线数 Number of positions: 2
- 适用线规 Applicable wires: 24~18AWG
- 温度范围 Temperature range: -40°C~105°C
(including temperature rise in applying electrical current)
- 额定电压 Voltage rating: 250V AC, DC Max.
- 额定电流 Current rating: 5A
- 接触电阻 Contact resistance: $\leq 10\text{m}\Omega$
- 绝缘电阻 Insulation resistance: $\geq 1000\text{M}\Omega$
- 耐压 Withstanding voltage: 1500V AC/minute

*Compliant with RoHS.

C36801-02PT(02-06-1101)



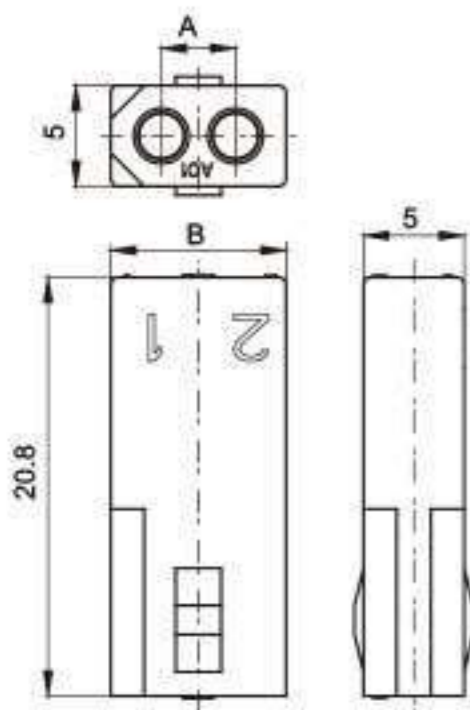
C36801-02RT(39-00-0278)



端子 TERMINAL

型号 Part No.	材质 Material	料厚 Thickness	线规 Applicable wires		电线外径 Wire insulation O.D. mm	镀层 Plating	包装数量 Q'ty/reel
			AWG#	线径 mm ²			
C36801-02PT	Phosphor bronze	0.2	24-18	0.22-0.75	1.7-2.8	Tin Plated	4K
C36801-02RT	Phosphor bronze	0.2	24-18	0.22-0.75	1.7-2.8	Tin Plated	4K

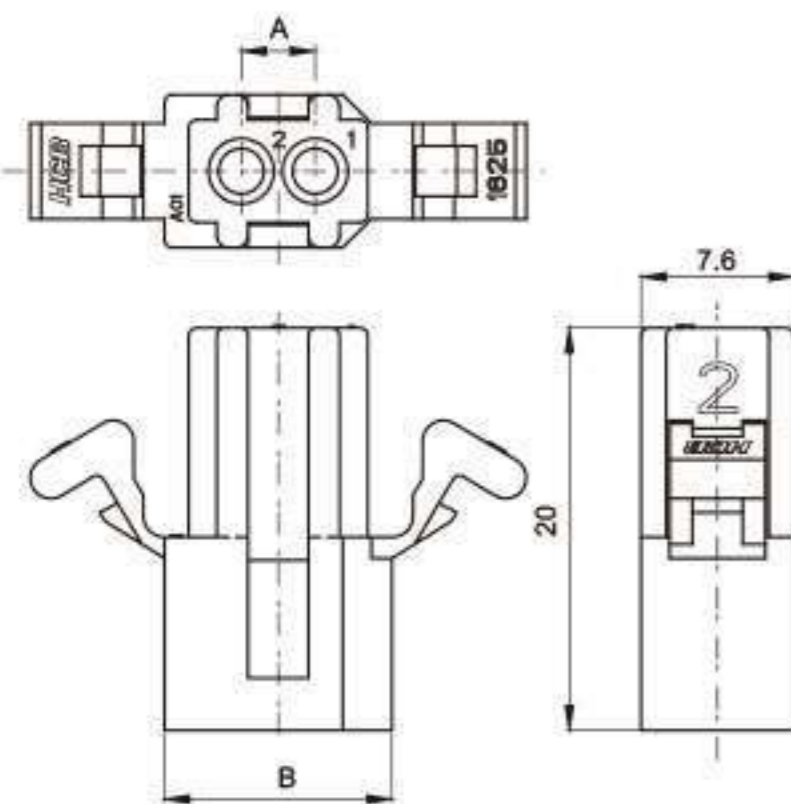
C36801-ANP(2601-3092)



公端塑件 PLUG HOUSING

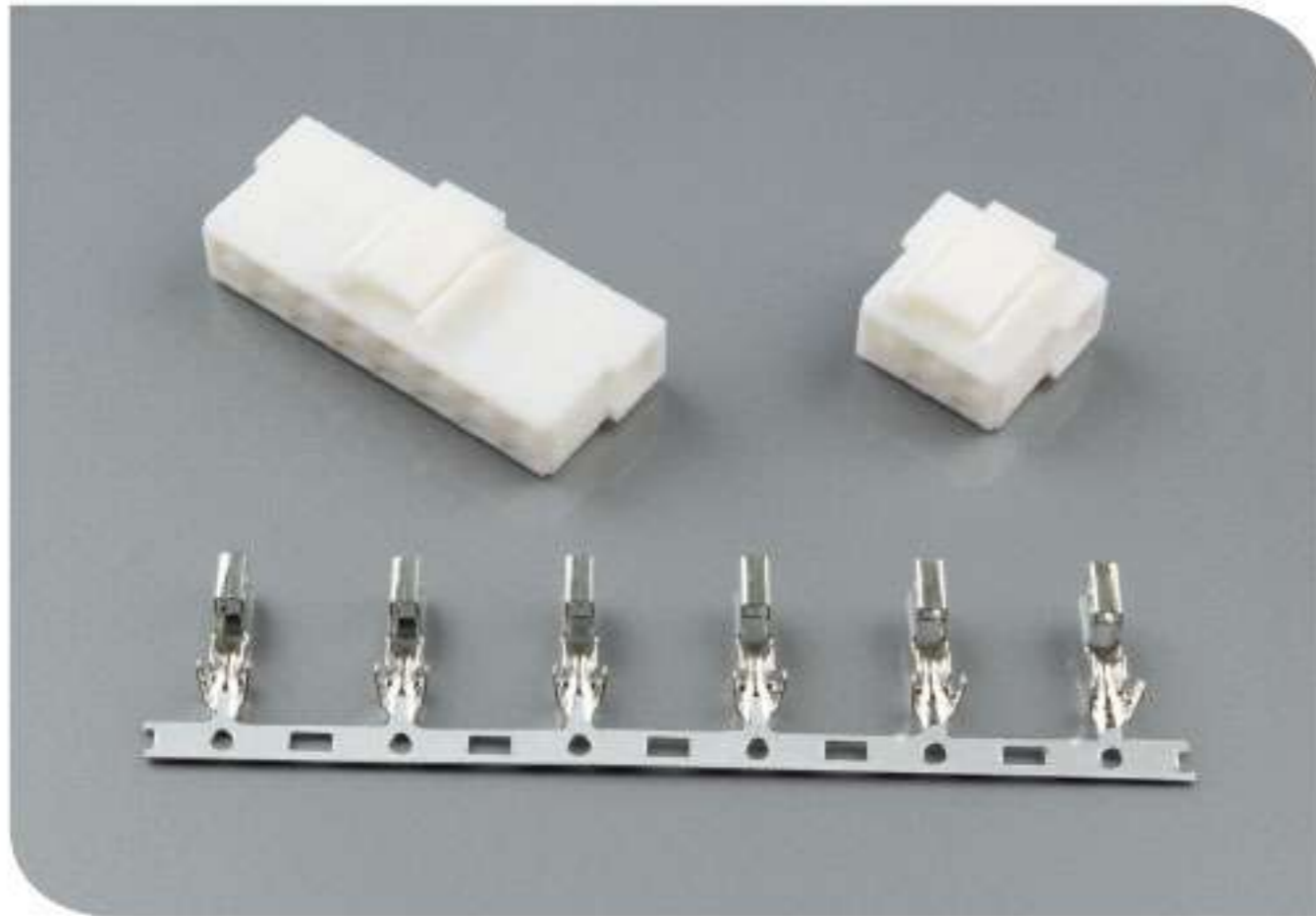
型号 Part No.	材质 Material	包装数量 Q'ty/bag	尺寸 Dimensions(mm)	
			A	B
C36801-A02P	PA66	1K	3.68	8.7

C36801-ANR(2601-3091)



母端塑件 RECEPTACLE

型号 Part No.	材质 Material	包装数量 Q'ty/bag	尺寸 Dimensions(mm)	
			A	B
C36801-A02R	PA66	1K	3.68	11.3

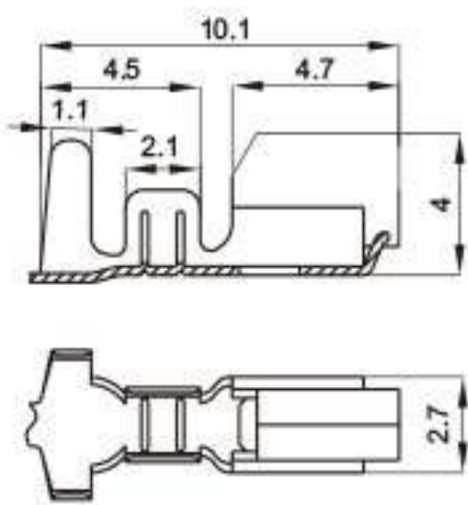


■ 技术参数 SPECIFICATIONS

- 线数 Number of positions: 2~12
- 适用线规 Applicable wires: 22~18AWG
- 温度范围 Temperature range: -40°C~105°C
(including temperature rise in applying electrical current)
- 额定电压 Voltage rating: 250V AC, DC Max.
- 额定电流 Current rating: 6A AC, DC Max.
- 接触电阻 Contact resistance: ≤ 10mΩ
- 绝缘电阻 Insulation resistance: ≥ 1000MΩ
- 耐压 Withstanding voltage: 1500V AC/minute

*Compliant with RoHS.

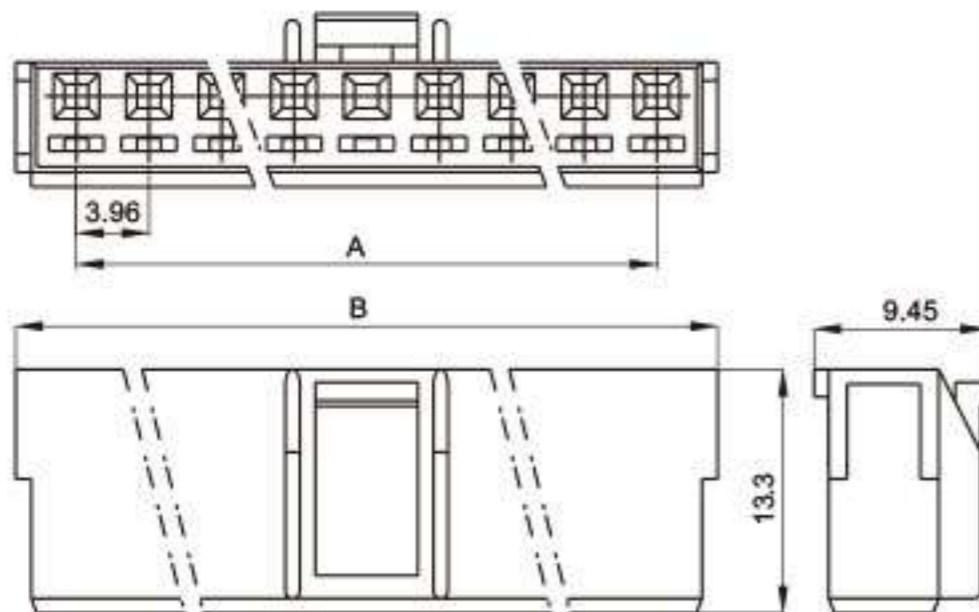
C39601-01PT(50217-8000)



端子 TERMINAL

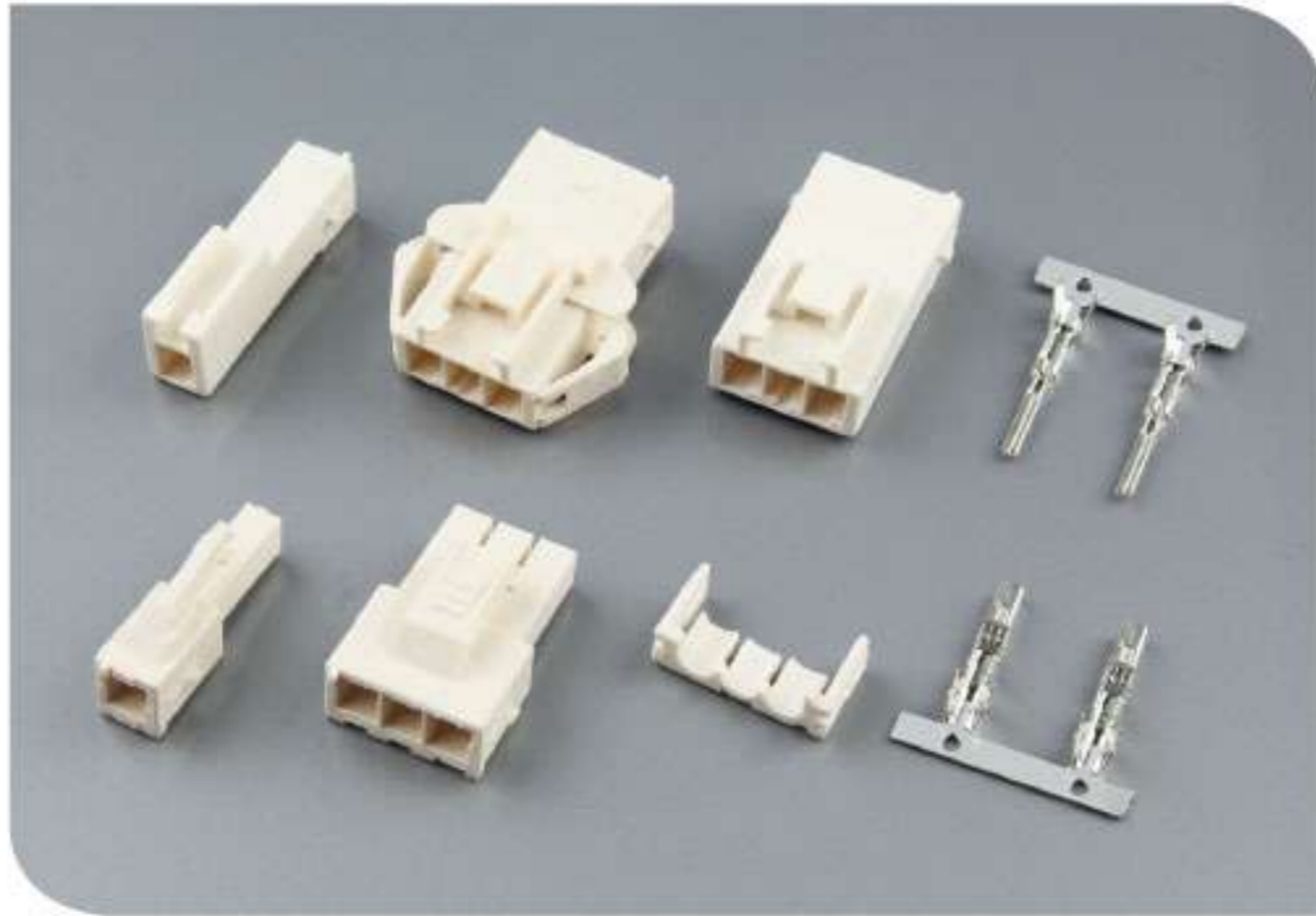
型号 Part No.	材质 Material	料厚 Thickness	线规 Applicable wires		电线外径 Wire insulation O.D. mm	镀层 Plating	包装数量 Q'ty/reel
			AWG#	线径 mm ²			
C39601-01PT	Phosphor bronze	0.25	22-18	0.33-0.75	2.6-2.8	Tin Plated	3K

C39601-ANP(35156-**00)



公端塑件 PLUG HOUSING

型号 Part No.	材质 Material	包装数量 Q'ty/bag	尺寸 Dimensions(mm)	
			A	B
C39601-A02P	PA66	1K	3.96	10.58
C39601-A03P		1K	7.92	14.54
C39601-A04P		1K	11.88	18.50
C39601-A05P		1K	15.84	22.46
C39601-A06P		1K	19.80	26.42
C39601-A07P		1K	23.76	30.38
C39601-A08P		1K	27.72	34.34
C39601-A09P		1K	31.68	38.30
C39601-A10P		1K	35.64	42.26
C39601-A11P		1K	39.60	46.22
C39601-A12P		1K	43.56	50.18

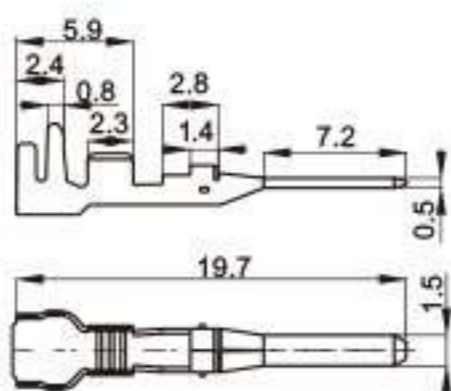


■ 技术参数 SPECIFICATIONS

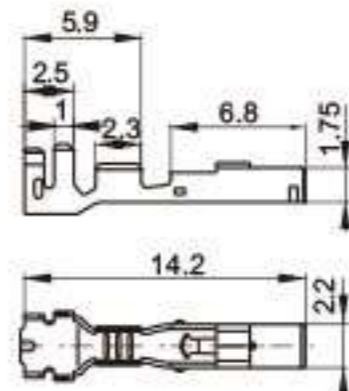
- 线数 Number of positions: 1~4
- 适用线规 Applicable wires: 26~16AWG
- 温度范围 Temperature range: -40°C~105°C
(including temperature rise in applying electrical current)
- 额定电压 Voltage rating: 250V AC, DC Max.
- 额定电流 Current rating: 8A AC, DC Max.
- 接触电阻 Contact resistance: $\leq 10\text{m}\Omega$
- 绝缘电阻 Insulation resistance: $\geq 1000\text{M}\Omega$
- 耐压 Withstanding voltage: 1500V AC/minute

*Compliant with RoHS.

C39602-01RT(177916-1)
C39602-02RT(177917-1)



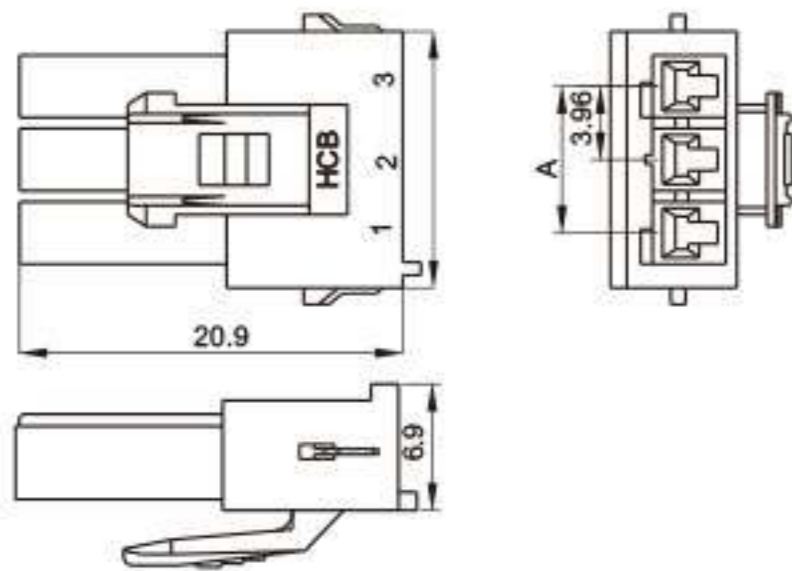
C39602-01PT(177914-1)
C39602-02PT(177915-1)



端子 TERMINAL

型号 Part No.	材质 Material	料厚 Thickness	线规 Applicable wires		电线外径 Wire insulation O.D. mm	镀层 Plating	包装数量 Q'ty/reel
			AWG#	线径 mm ²			
C39602-01RT	Phosphor bronze	0.25	26-22	0.13-0.33	1.3-1.7	Tin Plated	4K
C39602-02RT	Phosphor bronze	0.25	20-16	0.5-1.25	2.6-3.5	Tin Plated	4K
C39602-01PT	Phosphor bronze	0.25	26-22	0.13-0.33	1.3-1.7	Tin Plated	4K
C39602-02PT	Phosphor bronze	0.25	20-16	0.5-1.25	2.6-3.5	Tin Plated	4K

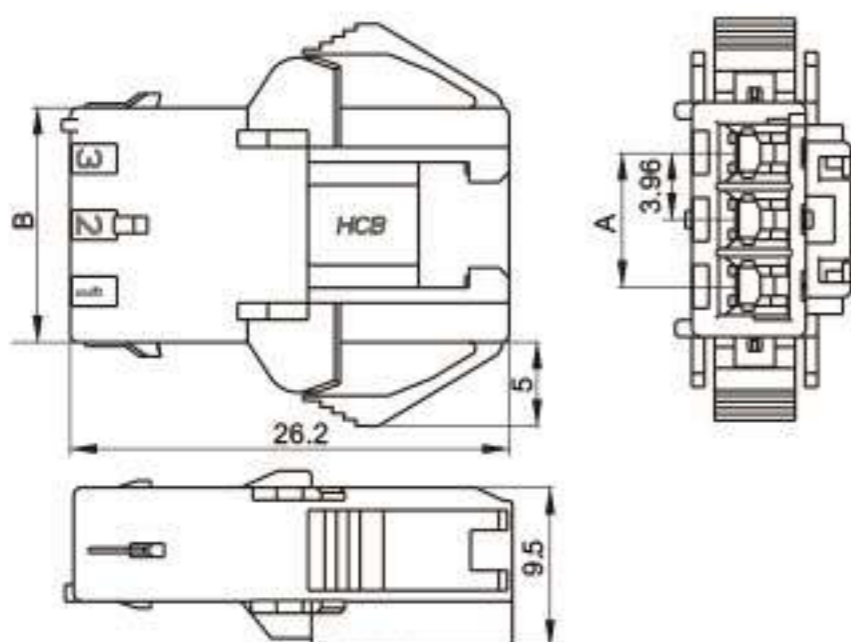
C39602-ANP



公端塑件 PLUG HOUSING

型号 Part No.	材质 Material	包装数量 Q'ty/bag	尺寸 Dimensions(mm)	
			A	B
C39602-A01P(316768-1)	PA66	1K	NA	6.0
C39602-A02P(177898-1)		1K	3.96	10.14
C39602-A03P(177899-1)		1K	7.92	14.1
C39602-A04P(336501-1)		1K	11.88	18.06

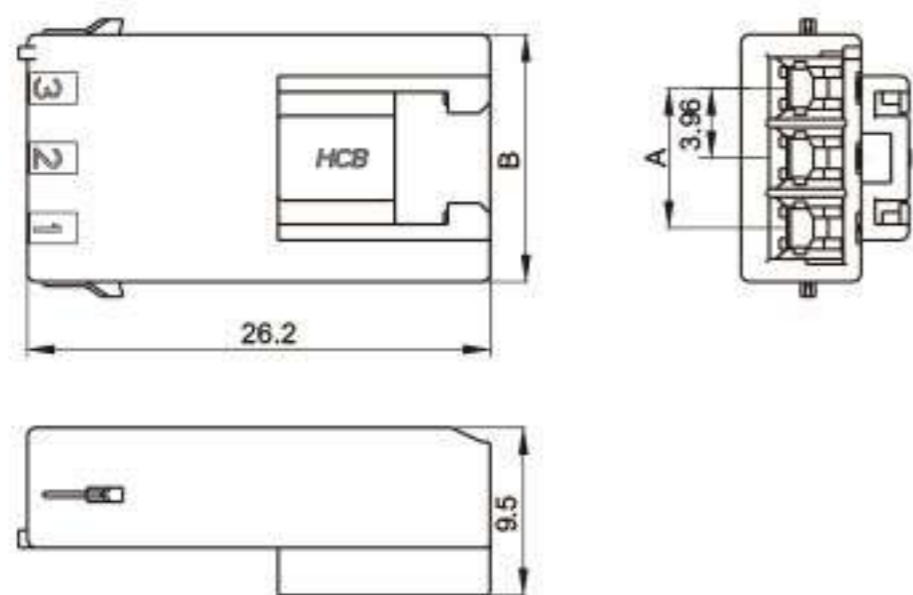
C39602-ANR



母端塑件 RECEPTACLE

型号 Part No.	材质 Material	包装数量 Q'ty/bag	尺寸 Dimensions(mm)	
			A	B
C39602-A02R(177906-1)	PA66	1K	3.96	9.9
C39602-A03R(177907-1)		1K	7.92	14.0
C39602-A04R(316502-1)		1K	11.88	18.0

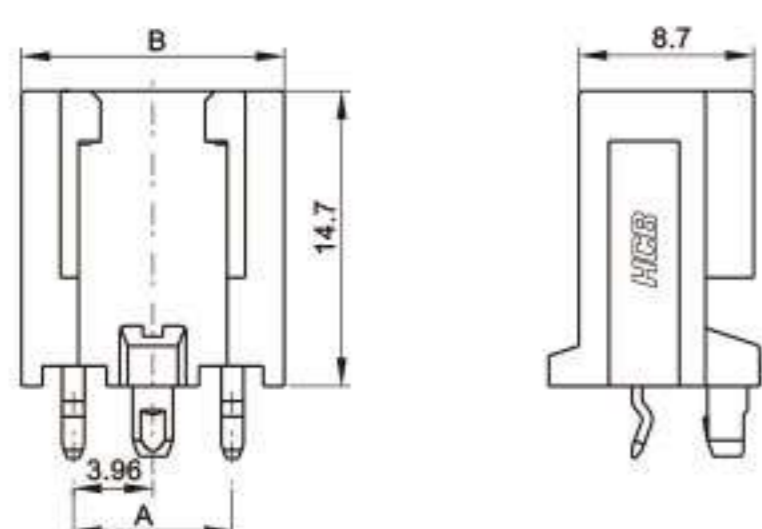
C39602-BNRF



母端塑件 RECEPTACLE

型号 Part No.	材质 Material	包装数量 Q'ty/bag	尺寸 Dimensions(mm)	
			A	B
C39602-A01RF(316769-1)	PA66	1K	NA	6.08
C39602-A02RF(179463-1)		1K	3.96	10.04
C39602-A03RF(179464-1)		1K	7.92	14.0

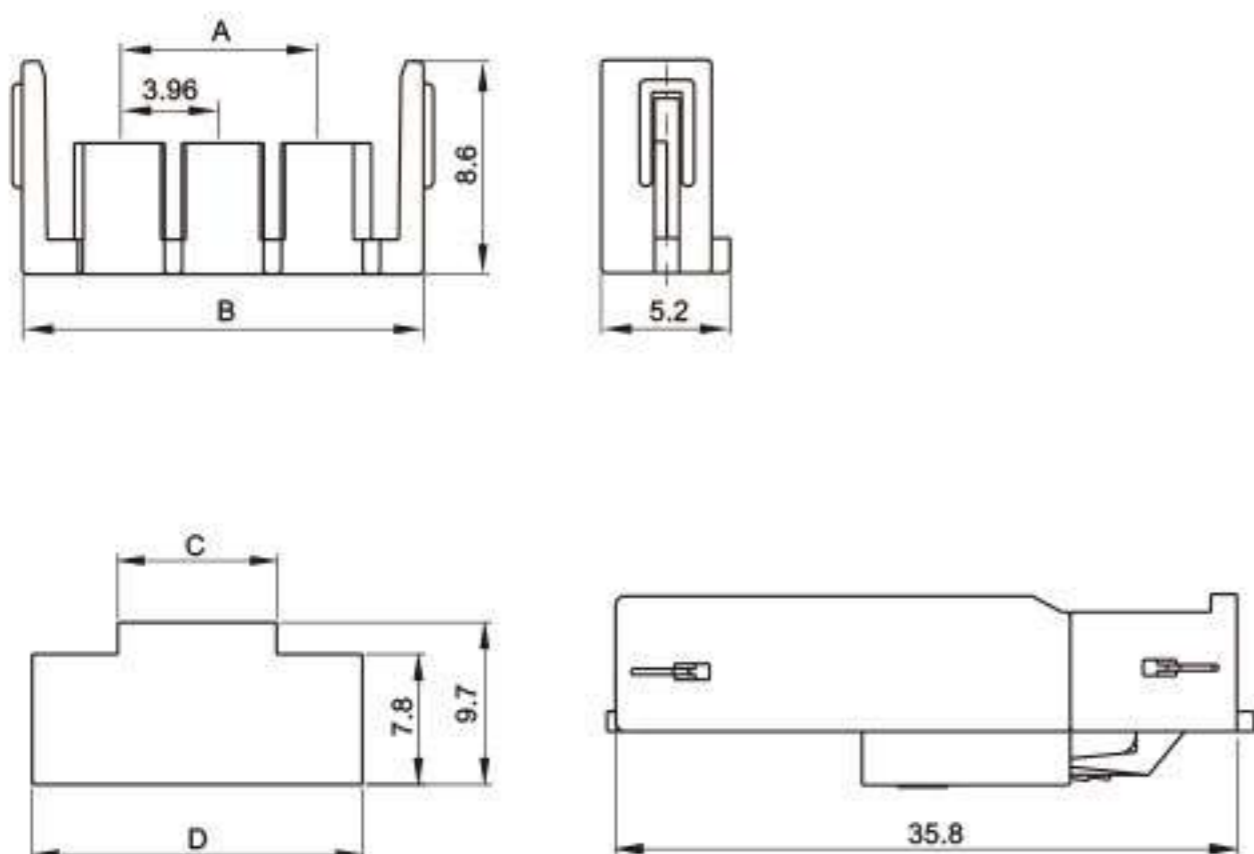
C39602-ANAD



针座 WAFER

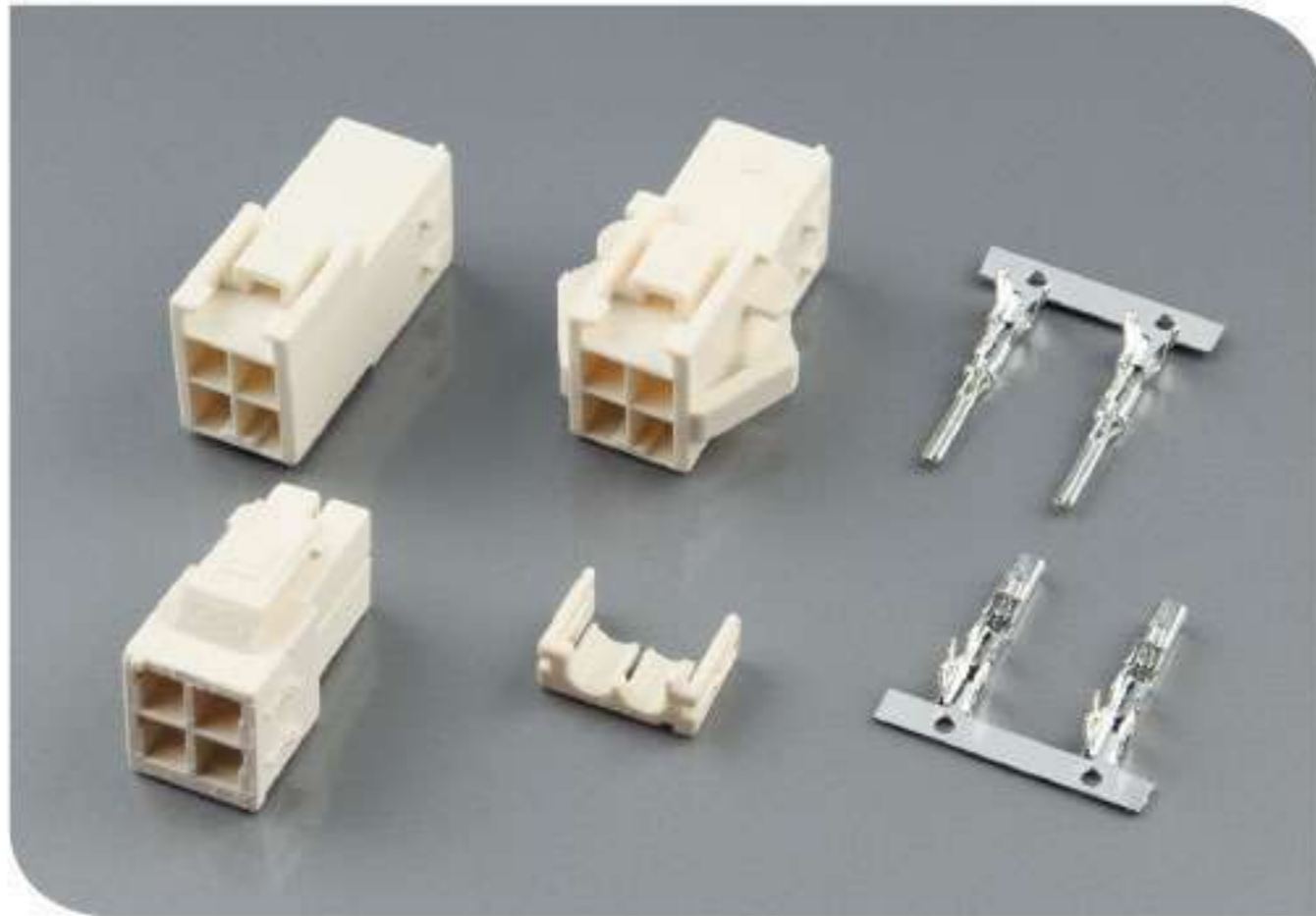
型号 Part No.	材质 Material	包装数量 Q'ty/bag	尺寸 Dimensions(mm)	
			A	B
C39602-A03AD(179844-1)	PA66	0.5K	7.92	13.1

C39602-ANS



锁片 TPA

型号 Part No.	材质 Material	包装数量 Q'ty/bag	尺寸 Dimensions(mm)	
			A	B
C39602-A01S(316770-1)	PA66	2K	NA	8.2
C39602-A02S(177918-1)		2K	3.96	12.24
C39602-A03S(177919-1)		1K	7.92	16.20
C39602-A04S(177920-1)		1K	11.88	20.16
C39602-A05S(177921-1)		1K	15.84	24.12

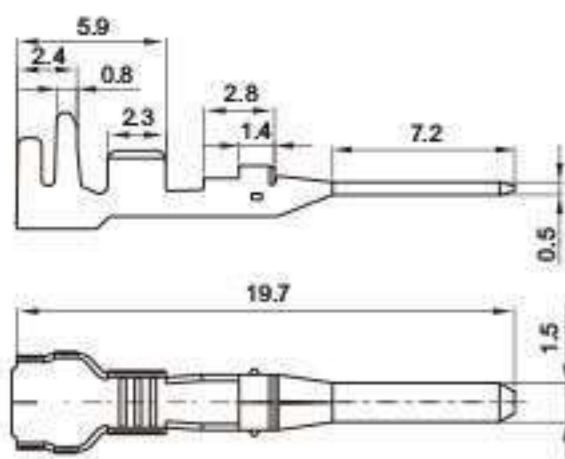


■ 技术参数 SPECIFICATIONS

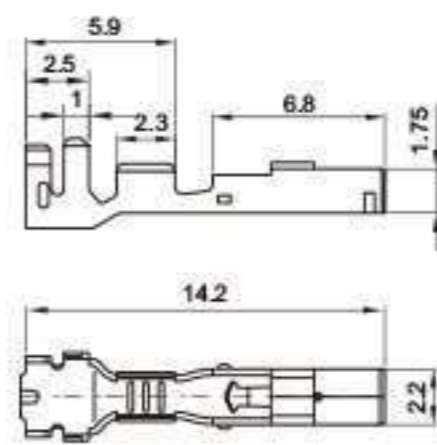
- 线数 Number of positions: 4~10
- 适用线规 Applicable wires: 26~22AWG
- 温度范围 Temperature range: -40°C~105°C
(including temperature rise in applying electrical current)
- 额定电压 Voltage rating: 250V AC, DC Max.
- 额定电流 Current rating: 8A AC, DC Max.
- 接触电阻 Contact resistance: $\leq 10\text{m}\Omega$
- 绝缘电阻 Insulation resistance: $\geq 1000\text{M}\Omega$
- 耐压 Withstanding voltage: 1500V AC/minute

*Compliant with RoHS.

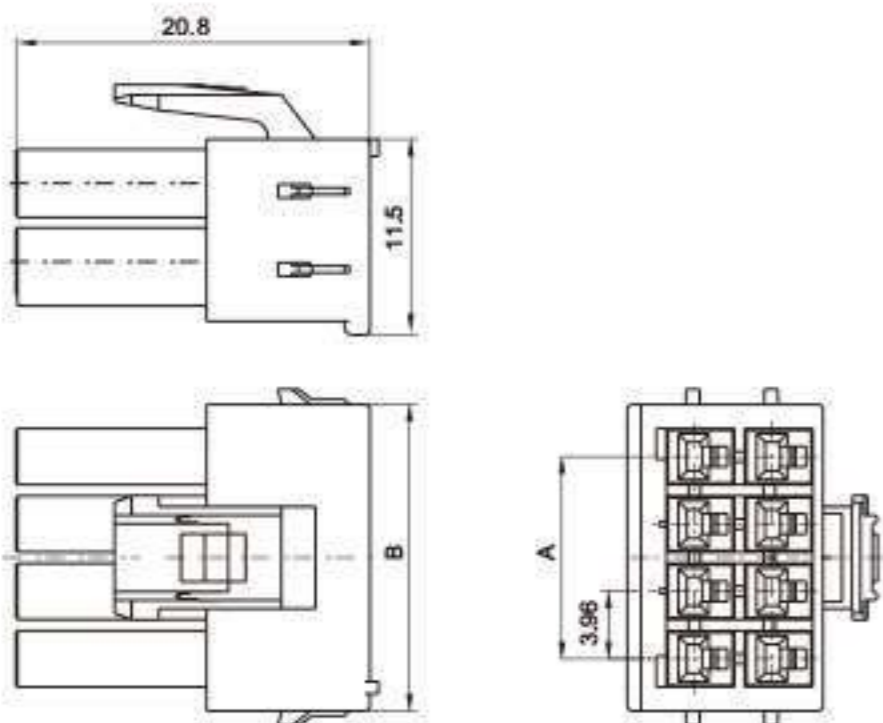
C39602-01RT(177916-1)
C39602-02RT(177917-1)



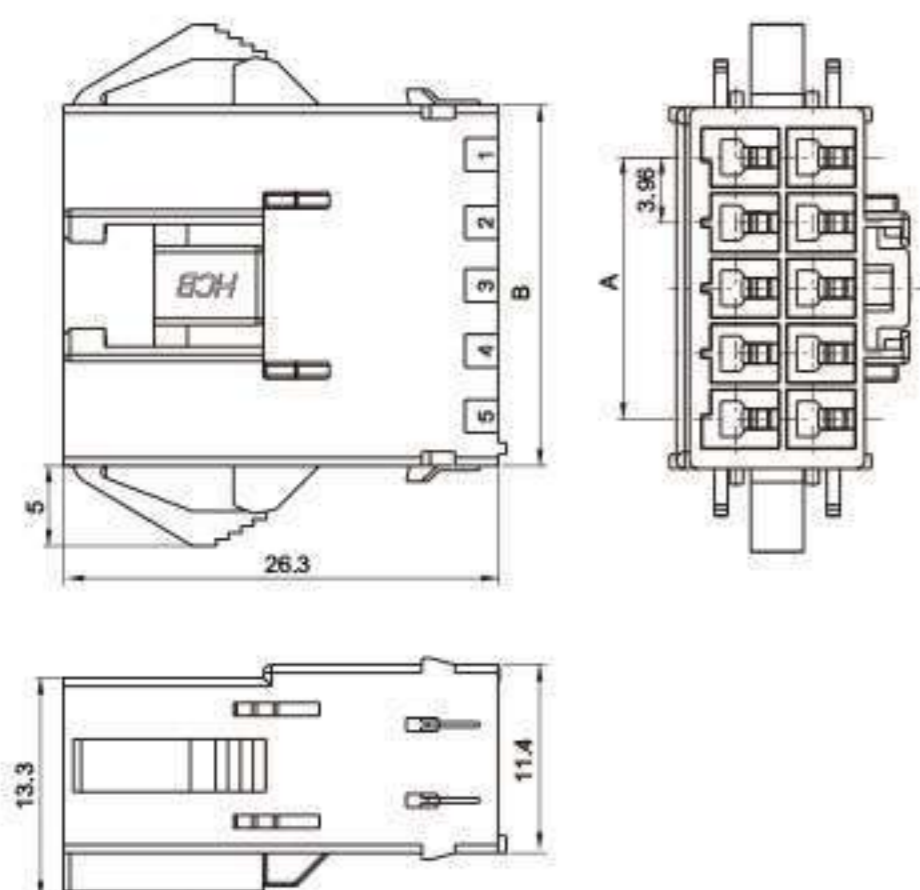
C39602-01PT(177914-1)
C39602-02PT(177915-1)



C39602-BNP



C39602-BNR



端子 TERMINAL

型号 Part No.	材质 Material	料厚 Thickness	线规 Applicable wires		电线外径 Wire insulation O.D. mm	镀层 Plating	包装数量 Q'ty/reel
			AWG#	线径 mm ²			
C39602-01RT	Phosphor bronze	0.25	26-22	0.13-0.33	1.3-1.7	Tin Plated	4K
C39602-02RT	Phosphor bronze	0.25	20-16	0.5-1.25	2.6-3.5	Tin Plated	4K
C39602-01PT	Phosphor bronze	0.25	26-22	0.13-0.33	1.3-1.7	Tin Plated	4K
C39602-02PT	Phosphor bronze	0.25	20-16	0.5-1.25	2.6-3.5	Tin Plated	4K

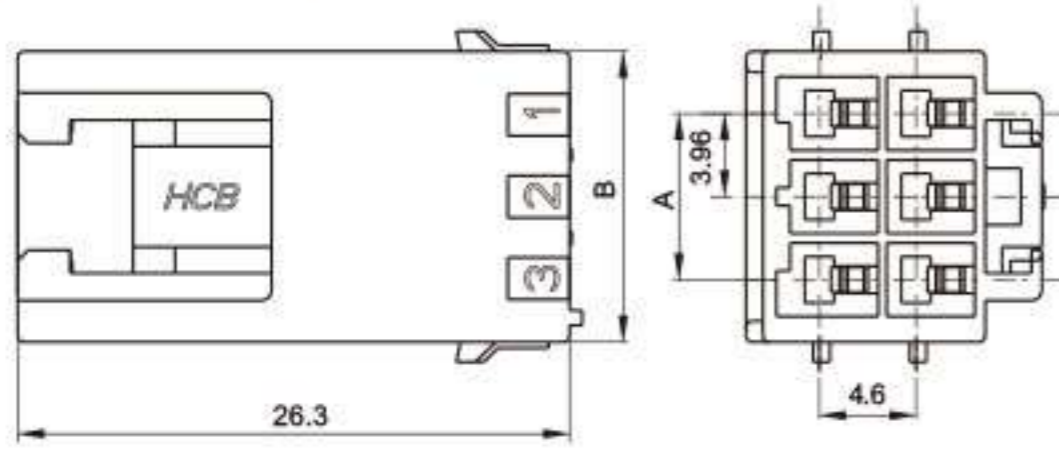
公端塑件 PLUG HOUSING

型号 Part No.	材质 Material	包装数量 Q'ty/bag	尺寸 Dimensions(mm)	
			A	B
C39602-B04P(177900-1)	PA66	1K	3.96	9.98
C39602-B06P(177901-1)		1K	7.92	13.94
C39602-B08P(177902-1)		1K	11.88	17.90
C39602-B10P(177904-1)		1K	15.84	21.86

母端塑件 RECEPTACLE

型号 Part No.	材质 Material	包装数量 Q'ty/bag	尺寸 Dimensions(mm)	
			A	B
C39602-B04R(177908-1)	PA66	1K	3.96	14.10
C39602-B10R(177912-1)		1K	15.84	21.84

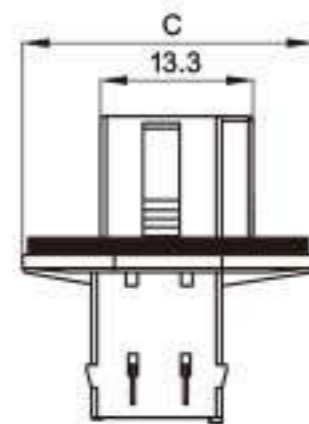
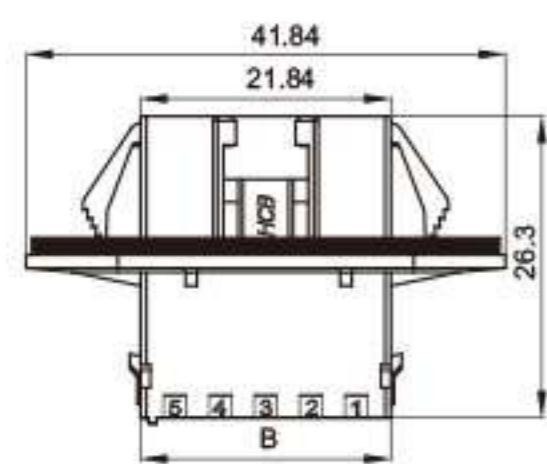
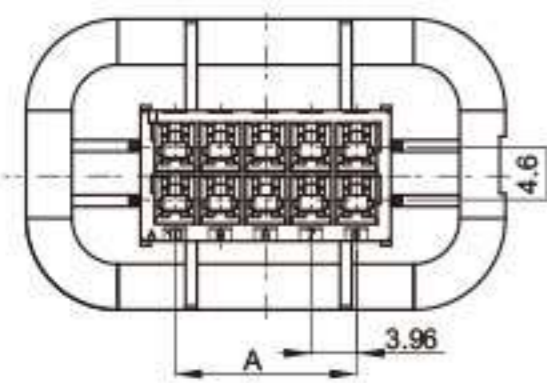
C39602-BNRF



母端塑件 RECEPTACLE

型号 Part No.	材质 Material	包装数量 Q'ty/bag	尺寸 Dimensions(mm)	
			A	B
C39602-B04RF(179465-1)	PA66	1K	NA	9.9
C39602-B06RF(179466-1)		1K	7.92	13.86
C39602-B08RF(179467-1)		1K	11.88	17.82

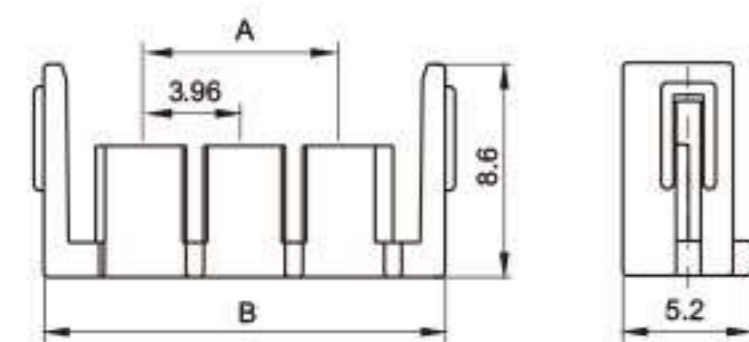
C39602-BNR)



母端塑件 RECEPTACLE

型号 Part No.	材质 Material	包装数量 Q'ty/bag	尺寸 Dimensions(mm)		
			A	B	C
C39602-B10R	PA66	1K	15.84	21.84	25.4

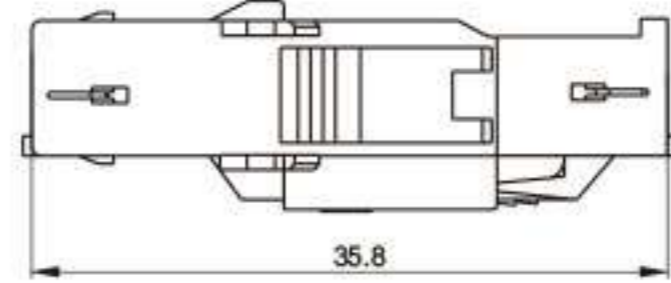
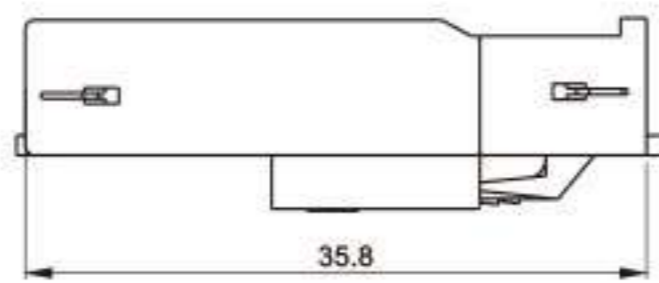
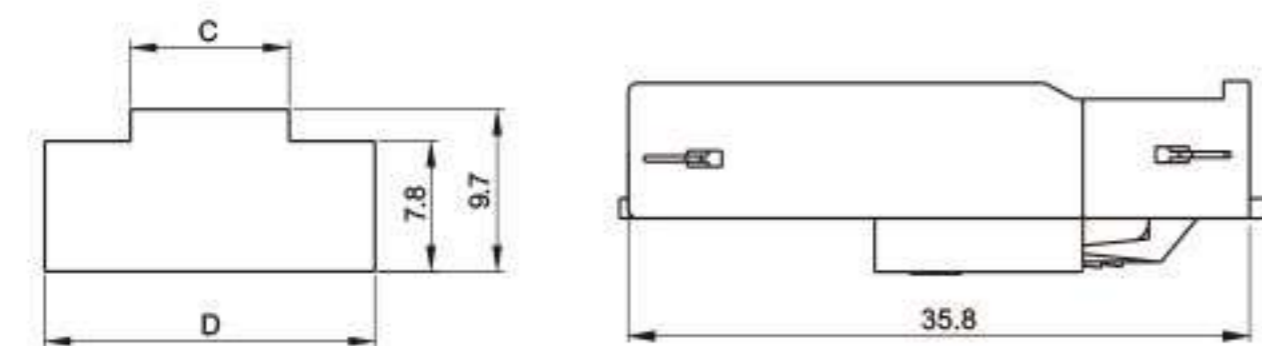
C39602-ANS



锁片 TPA

型号 Part No.	材质 Material	包装数量 Q'ty/bag	尺寸 Dimensions(mm)	
			A	B
C39602-A01S(316770-1)	PA66	2K	NA	8.2
C39602-A02S(177918-1)		2K	3.96	12.24
C39602-A03S(177919-1)		2K	7.92	16.20
C39602-A04S(177920-1)		2K	11.88	20.16
C39602-A05S(177921-1)		2K	15.84	24.12

安装示意图





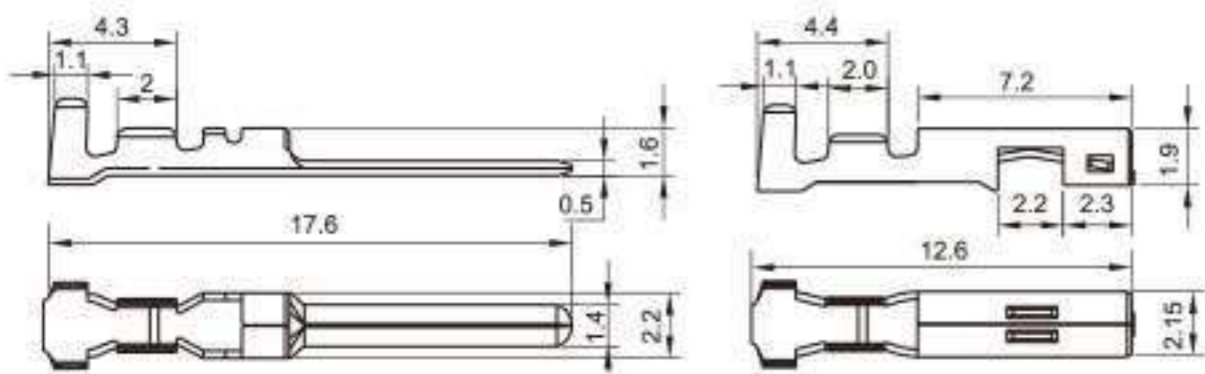
■ 技术参数 SPECIFICATIONS

- 线数 Number of positions: 1~4
- 适用线规 Applicable wires: 26~18AWG
- 温度范围 Temperature range: -40°C~105°C
(including temperature rise in applying electrical current)
- 额定电压 Voltage rating: 250V AC, DC Max.
- 额定电流 Current rating: 6A AC, DC Max.
- 接触电阻 Contact resistance: $\leq 10\text{m}\Omega$
- 绝缘电阻 Insulation resistance: $\geq 1000\text{M}\Omega$
- 耐压 Withstanding voltage: 1500V AC/minute

*Compliant with RoHS.

C39603-01RT(SSM-01T-P1.4)
C39603-02RT(SSM-21T-P1.4)

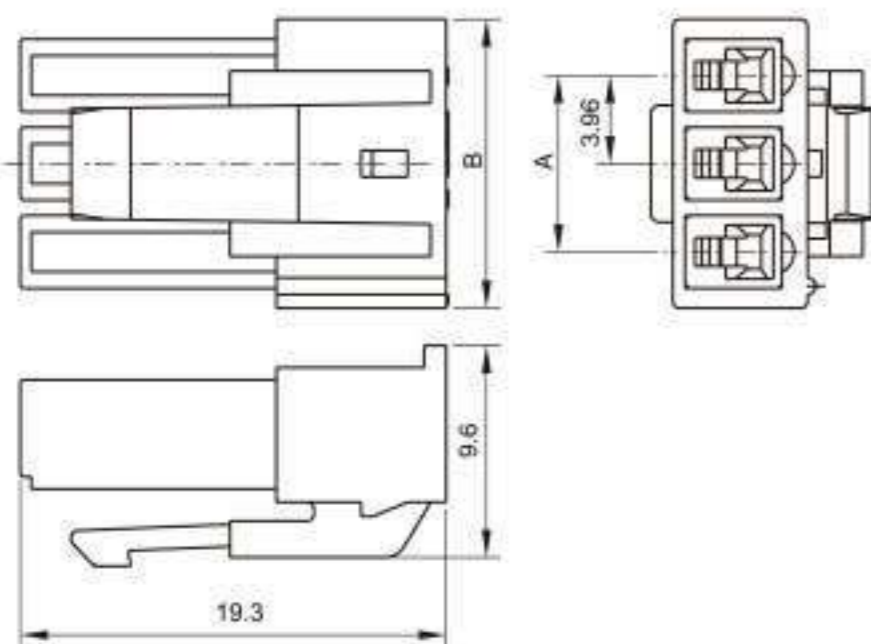
C39603-01PT(SSF-01T-P1.4)
C39603-02PT(SSF-21T-P1.4)



端子 TERMINAL

型号 Part No.	材质 Material	料厚 Thickness	线规 Applicable wires		电线外径 Wire insulation O.D. mm	镀层 Plating	包装数量 Q'ty/reel
			AWG#	线径 mm ²			
C39603-01RT	Phosphor bronze	0.25	26-22	0.13-0.33	1.3-1.7	Tin Plated	7K
C39603-02RT	Phosphor bronze	0.25	22-18	0.5-0.75	2.6-2.8	Tin Plated	7K
C39603-01PT	Phosphor bronze	0.25	26-22	0.13-0.33	1.3-1.7	Tin Plated	7K
C39603-02PT	Phosphor bronze	0.25	22-18	0.5-0.75	2.6-2.8	Tin Plated	7K

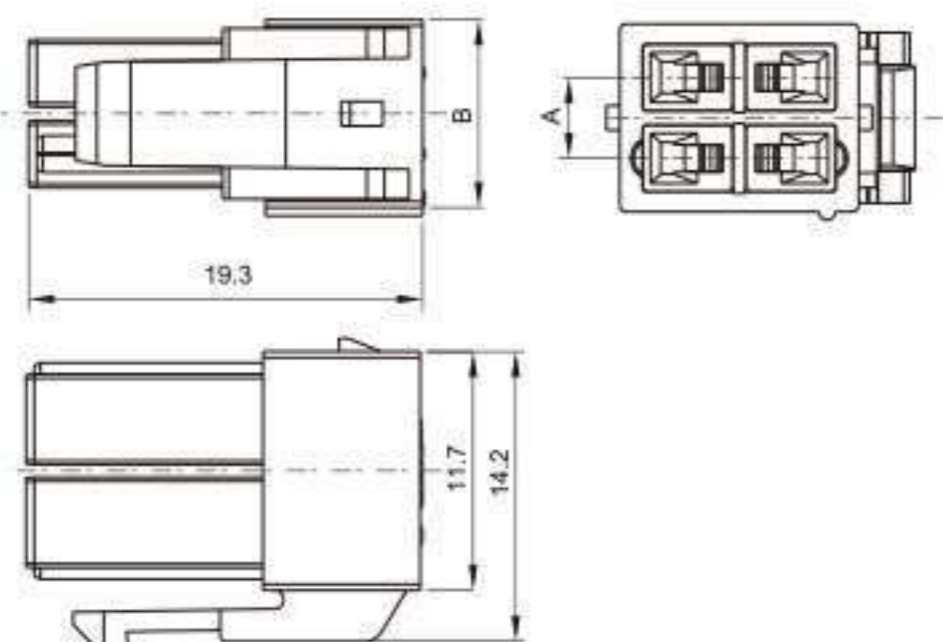
C39603-ANP(HLP-NV 单排)



公端塑件 PLUG HOUSING

型号 Part No.	材质 Material	包装数量 Q'ty/bag	尺寸 Dimensions(mm)	
			A	B
C39603-A02P	PA66	1K	3.96	9.16
C39603-A03P		1K	7.92	13.1

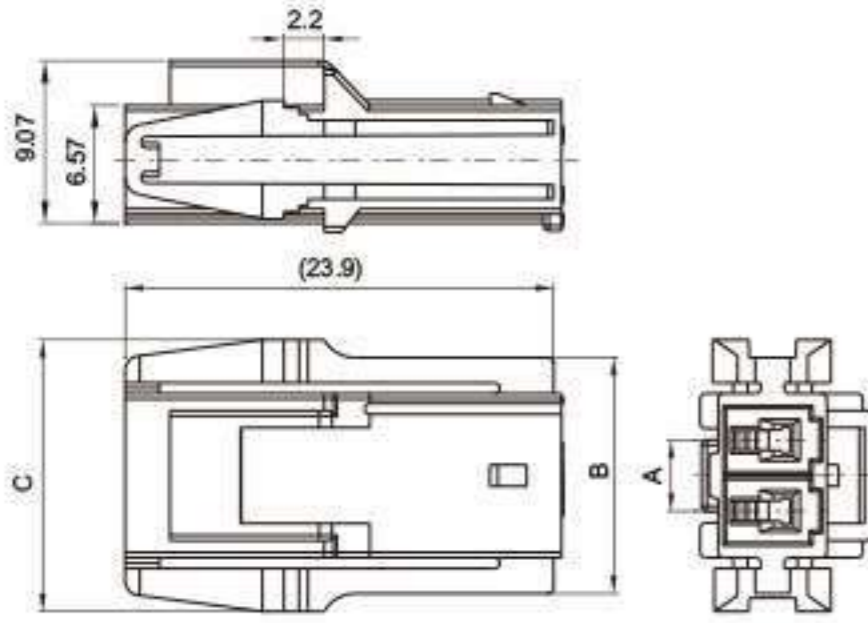
C39603-ANP(HLP-NV 双排)



公端塑件 PLUG HOUSING

型号 Part No.	材质 Material	包装数量 Q'ty/bag	尺寸 Dimensions(mm)	
			A	B
C39603-A04P	PA66	1K	3.96	9.16

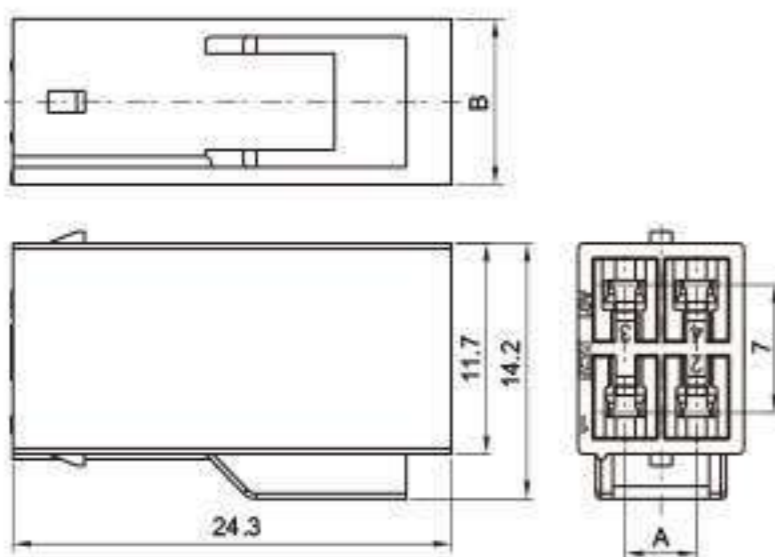
C39603-ANR(HLR-NV)



母端塑件 RECEPTACLE

型号 Part No.	材质 Material	包装数量 Q'ty/bag	尺寸 Dimensions(mm)		
			A	B	C
C39603-A02R	PA66	1K	3.96	14.8	15.16
C39603-A03R		1K	7.92	17.3	19.12

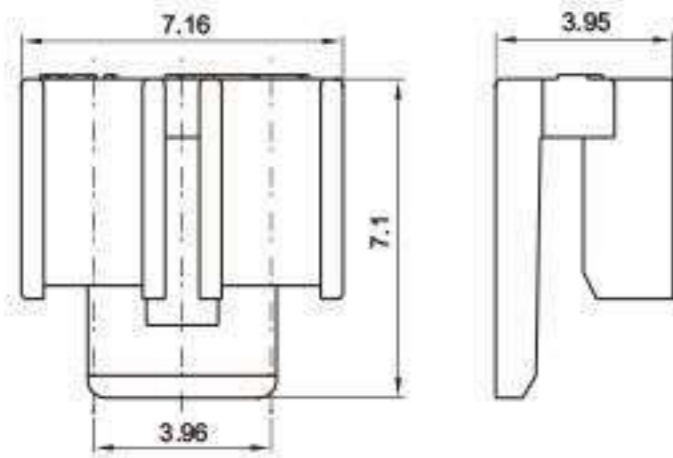
C39603-ANRF(HLR-NVF)



母端塑件 RECEPTACLE

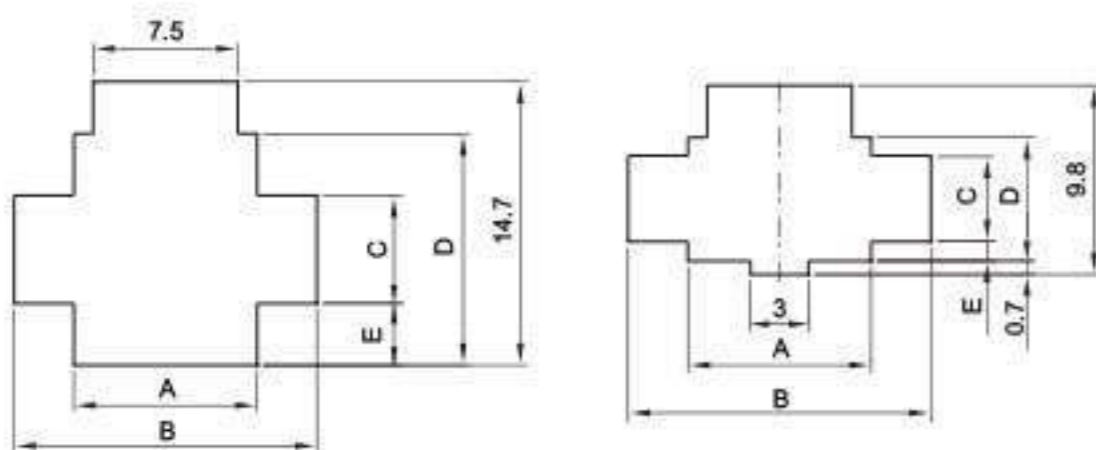
型号 Part No.	材质 Material	包装数量 Q'ty/bag	尺寸 Dimensions(mm)	
			A	B
C39603-A03RF	PA66	1K	7.92	14.32
C39603-A04RF		1K	3.96	9.2

C39603-ANS(HLS-NV)



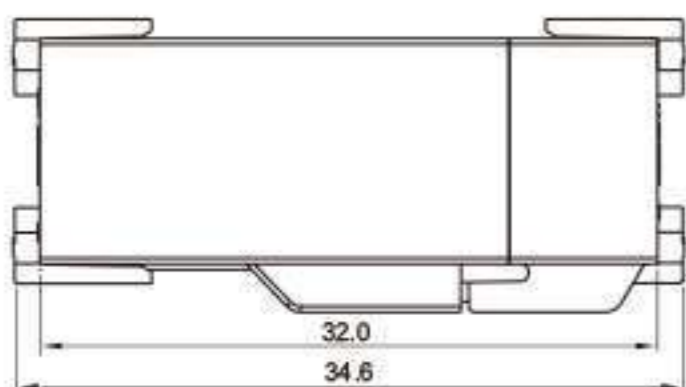
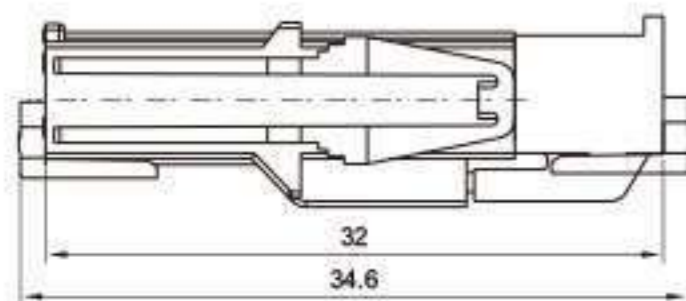
锁片 TPA

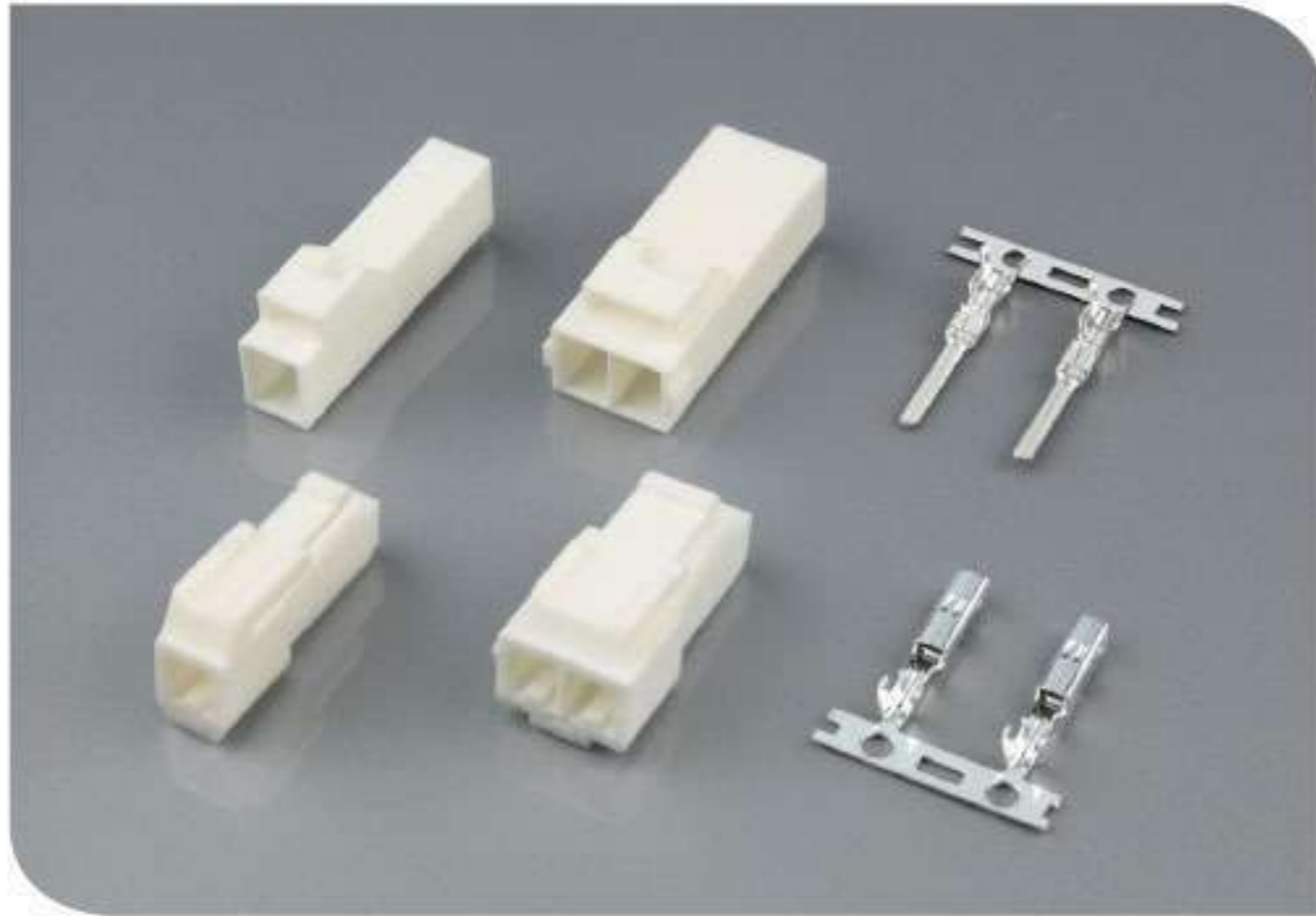
型号 Part No.	材质 Material	包装数量 Q'ty/bag	尺寸 Dimensions(mm)	
			A	B
C39603-A02S	PA66	2K	3.96	7.16
C39603-A03S		2K	7.92	11.1



母端塑件 RECEPTACLE

型号 Part No.	材质 Material	尺寸 Dimensions(mm)				
		A	B	C	D	E
C39603-A02R	PA66	9.5	15.7	4.4	6.4	1.0
C39603-A03R		13.5	19.7	4.4	6.4	1.0
C39603-A04R		9.5	15.7	5.6	12.0	3.2





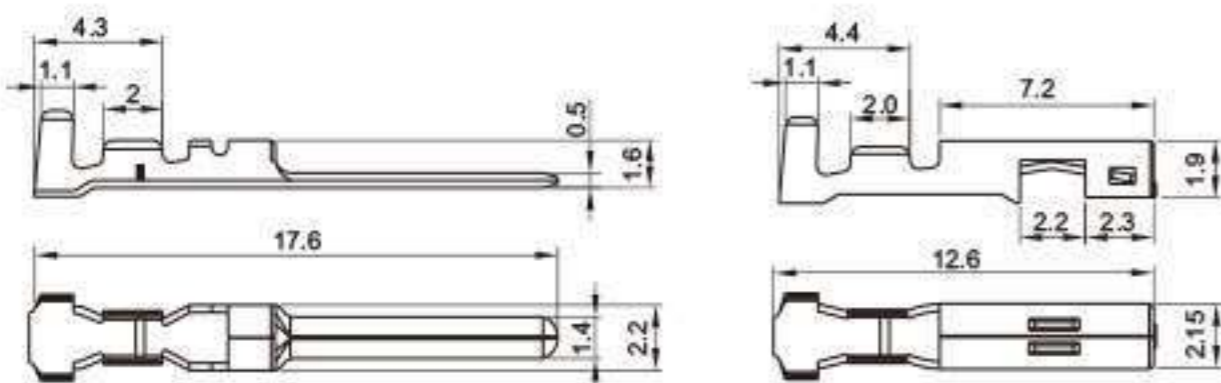
■ 技术参数 SPECIFICATIONS

- 线数 Number of positions: 1~4
- 适用线规 Applicable wires: 26~18AWG
- 温度范围 Temperature range: -40°C~105°C
(including temperature rise in applying electrical current)
- 额定电压 Voltage rating: 250V AC, DC Max.
- 额定电流 Current rating: 6A AC, DC Max.
- 接触电阻 Contact resistance: $\leq 10\text{m}\Omega$
- 绝缘电阻 Insulation resistance: $\geq 1000\text{M}\Omega$
- 耐压 Withstanding voltage: 1500V AC/minute

*Compliant with RoHS.

C39603-01RT(SSM-01T-P1.4)
C39603-02RT(SSM-21T-P1.4)

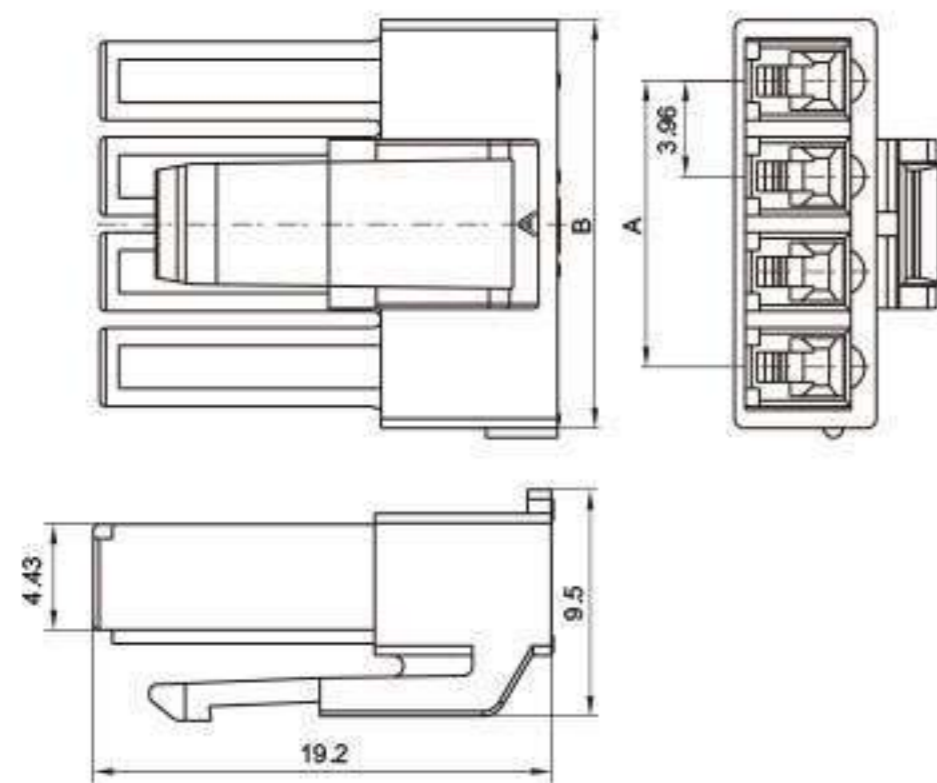
C39603-01PT(SSF-01T-P1.4)
C39603-02PT(SSF-21T-P1.4)



端子 TERMINAL

型号 Part No.	材质 Material	料厚 Thickness	线规 Applicable wires		电线外径 Wire insulation O.D. mm	镀层 Plating	包装数量 Q'ty/reel
			AWG#	线径 mm ²			
C39603-01RT	Phosphor bronze	0.25	26-22	0.13-0.33	1.3-1.7	Tin Plated	7K
C39603-02RT	Phosphor bronze	0.25	22-18	0.5-0.75	2.6-2.8	Tin Plated	7K
C39603-01PT	Phosphor bronze	0.25	26-22	0.13-0.33	1.3-1.7	Tin Plated	7K
C39603-02PT	Phosphor bronze	0.25	22-18	0.5-0.75	2.6-2.8	Tin Plated	7K

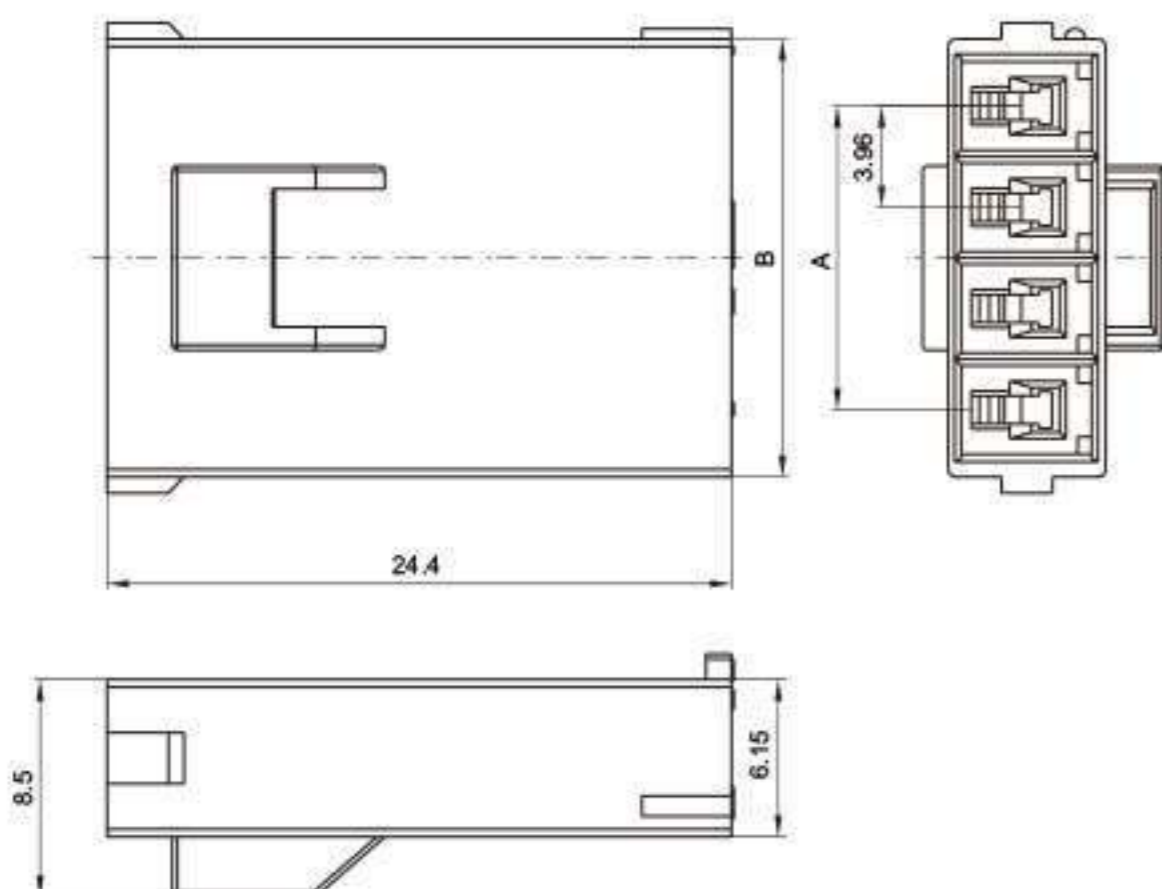
C39603-BNP(SLP-NV)



公端塑件 PLUG HOUSING

型号 Part No.	材质 Material	包装数量 Q'ty/bag	尺寸 Dimensions(mm)	
			A	B
C39603-B01P	PA66	1K	NA	5.2
C39603-B02P		1K	3.96	9.2
C39603-B04P		1K	11.88	17.12

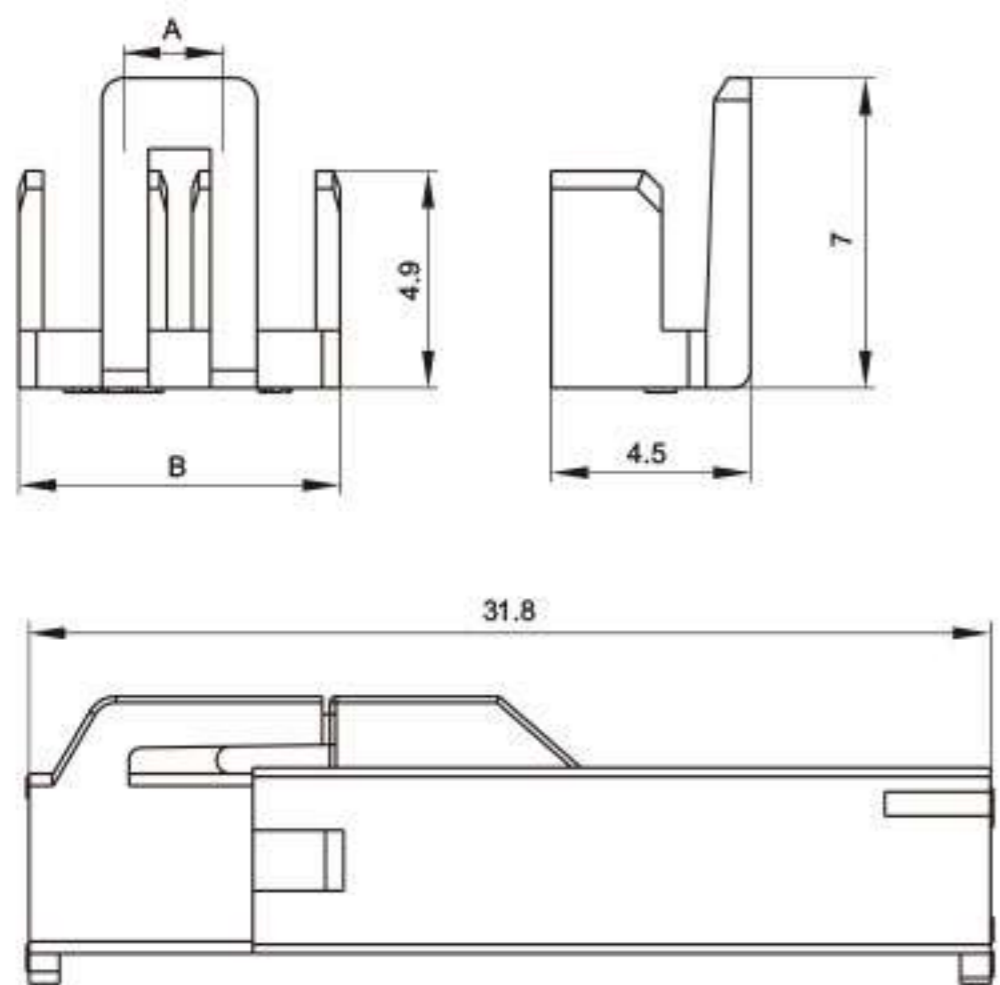
C39603-BNRF(SLR-NVF)



母端塑件 RECEPTACLE

型号 Part No.	材质 Material	包装数量 Q'ty/bag	尺寸 Dimensions(mm)	
			A	B
C39603-B01RF	PA66	1K	NA	5.2
C39603-B02RF		1K	3.96	9.2
C39603-B02VFS				
C39603-B04RF		1K	11.88	17.12

C39602-BNRS(SLR-NS)



锁片 TPA

型号 Part No.	材质 Material	包装数量 Q'ty/bag	尺寸 Dimensions(mm)	
			A	B
C39603-B02RS	PA66	1K	3.96	7.25

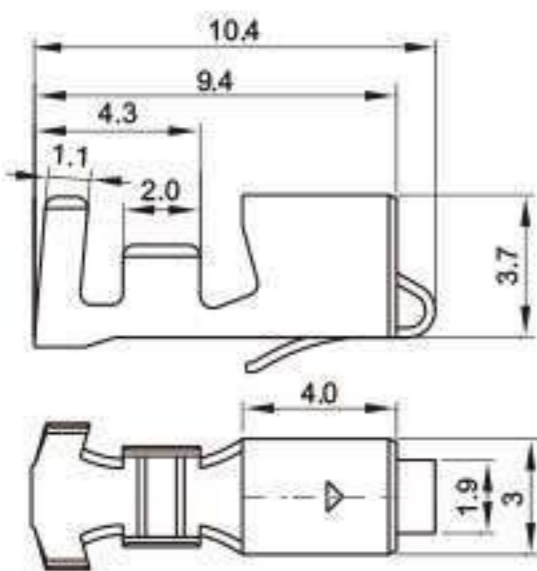


■ 技术参数 SPECIFICATIONS

- 线数 Number of positions: 2~13
- 适用线规 Applicable wires: 26~22AWG
- 温度范围 Temperature range: -40°C~105°C
(including temperature rise in applying electrical current)
- 额定电压 Voltage rating: 250V AC, DC Max.
- 额定电流 Current rating: 7A AC, DC Max.
- 接触电阻 Contact resistance: ≤ 10mΩ
- 绝缘电阻 Insulation resistance: ≥ 1000MΩ
- 耐压 Withstanding voltage: 1500V AC/minute

*Compliant with RoHS.

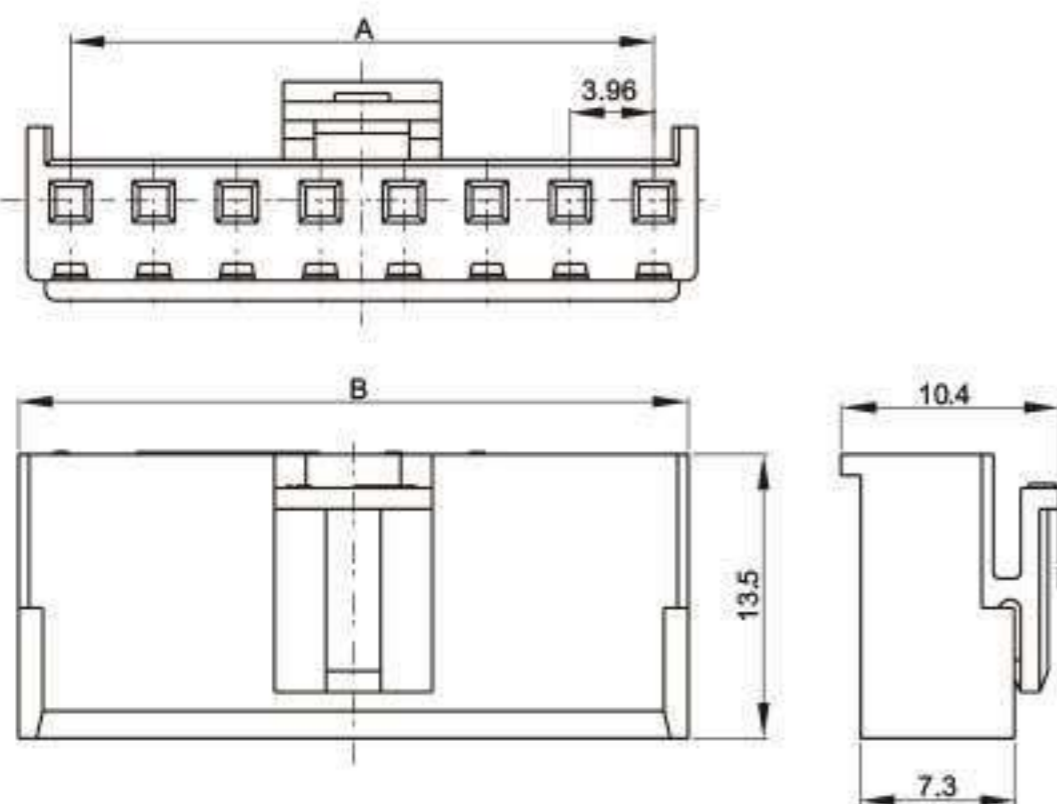
C39604-NPT(VH-PT)



端子 TERMINAL

型号 Part No.	材质 Material	料厚 Thickness	线规 Applicable wires		电线外径 Wire insulation O.D. mm	镀层 Plating	包装数量 Q'ty/reel
			AWG#	线径 mm ²			
C39604-01RT	Phosphor bronze	0.25	24-22	0.22-0.33	1.5-1.7	Tin Plated	2.5K
C39604-02PT	Phosphor bronze	0.25	22-18	0.5-0.75	1.7-2.8	Tin Plated	2.5K
C39604-03PT	Phosphor bronze	0.25	18-16	0.75-1.25	2.8-3.5	Tin Plated	2.5K

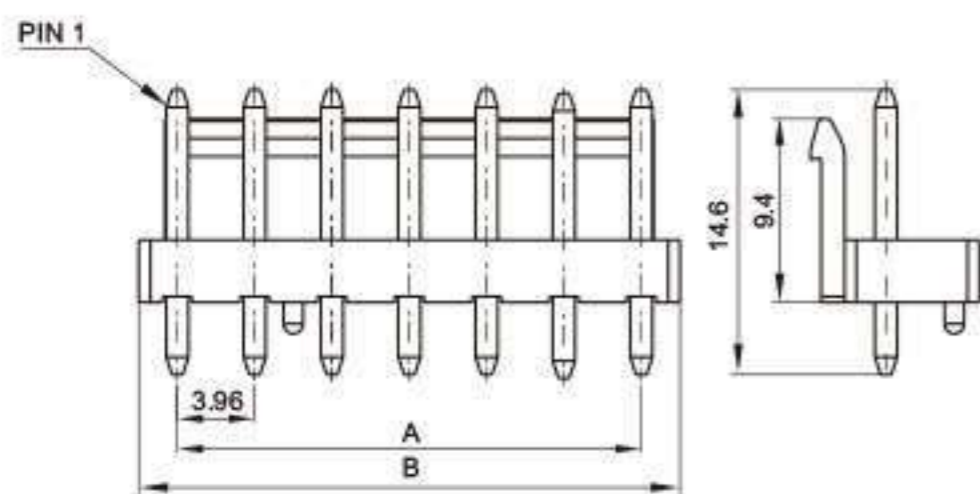
C39604-ANP(VH-NY)



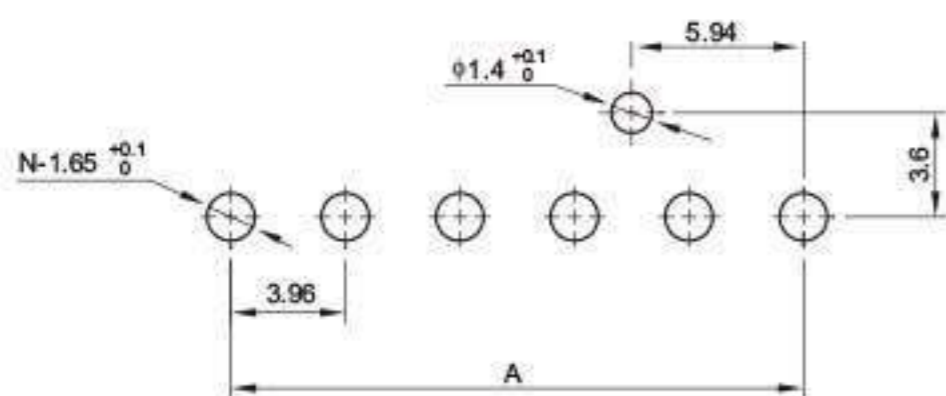
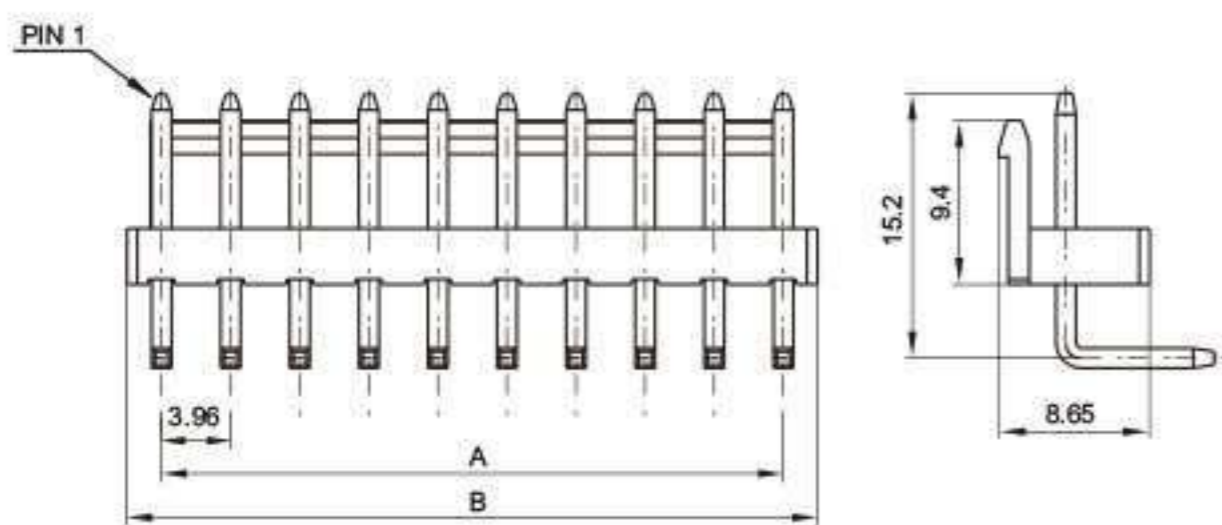
公端塑件 PLUG HOUSING

型号 Part No.	材质 Material	包装数量 Q'ty/bag	尺寸 Dimensions(mm)	
			A	B
C39604-A02P	PA66	1K	3.96	8.11
C39604-A03P		1K	7.92	12.07
C39604-A04P		1K	11.88	16.03
C39604-A05P		1K	15.84	19.99
C39604-A06P		1K	19.8	23.95
C39604-A07P		0.5K	23.76	27.91
C39604-A08P		0.5K	27.72	31.87
C39604-A09P		0.5K	31.68	35.83
C39604-A10P		0.5K	35.64	39.79
C39604-A11P		0.5K	39.60	43.75
C39604-A13P		0.5K	47.52	51.67

C39604-ANAD(VH-NAD)

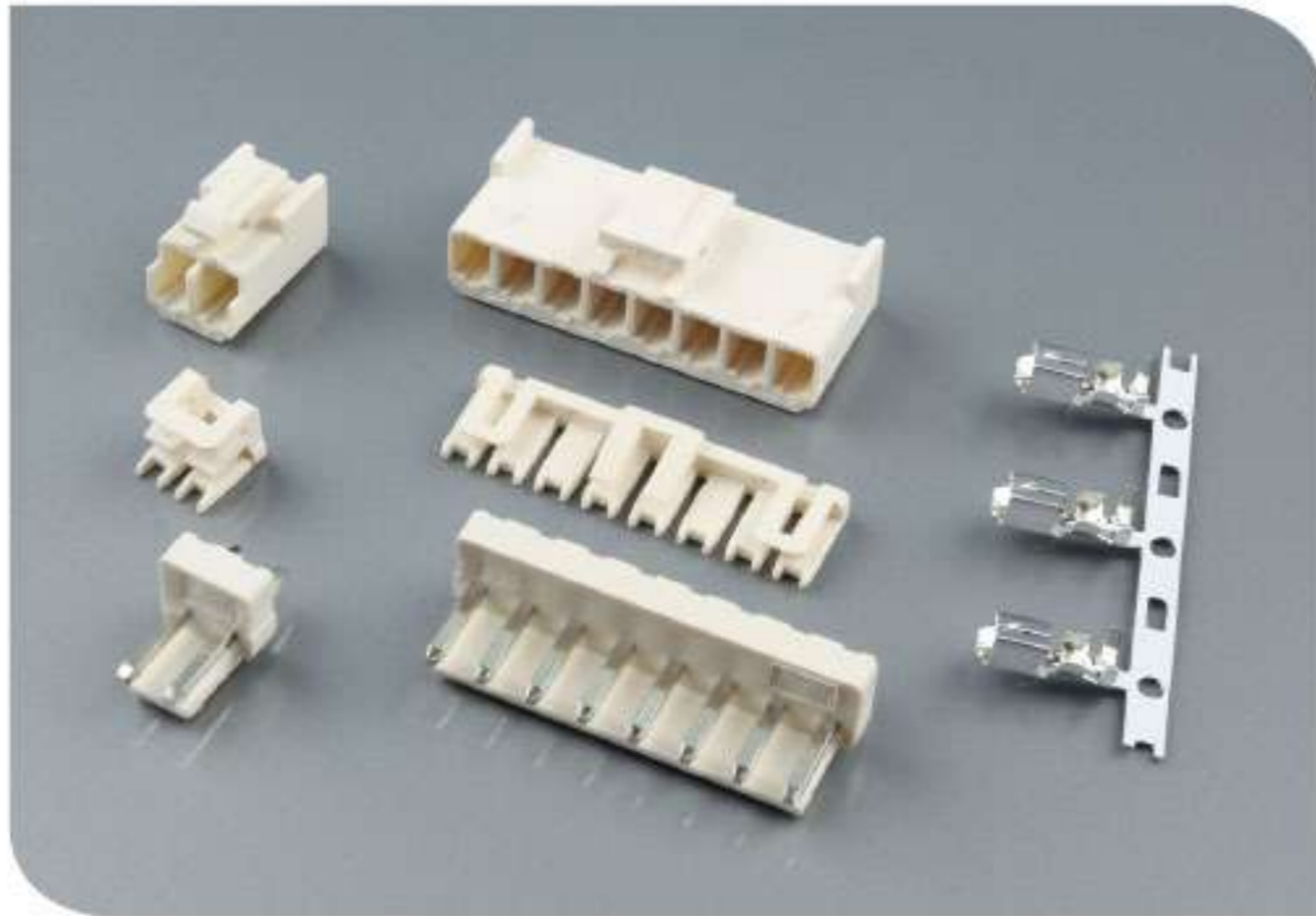


C39604-ANAW(VH-NAW)



针座 WAFER

型号 Part No.	材质 Material	包装数量 Q'ty/bag	尺寸 Dimensions(mm)	
			A	B
C39604-A02AD C39604-A02AW	PA66	1K	3.96	7.86
C39604-A03AD C39604-A03AW		1K	7.92	11.82
C39604-A04AD C39604-A04AW		1K	11.88	15.75
C39604-A05AD C39604-A05AW		1K	15.84	19.74
C39604-A06AD C39604-A06AW		1K	19.8	23.7
C39604-A07AD C39604-A07AW		1K	23.76	27.66
C39604-A08AD C39604-A08AW		0.5K	27.72	31.62
C39604-A09AD C39604-A09AW		0.5K	31.68	35.58
C39604-A10AD C39604-A10AW		0.5K	35.64	39.54
C39604-A11AD C39604-A11AW		0.5K	39.60	43.5
C39604-A13AD C39604-A13AW		0.5K	47.52	51.42

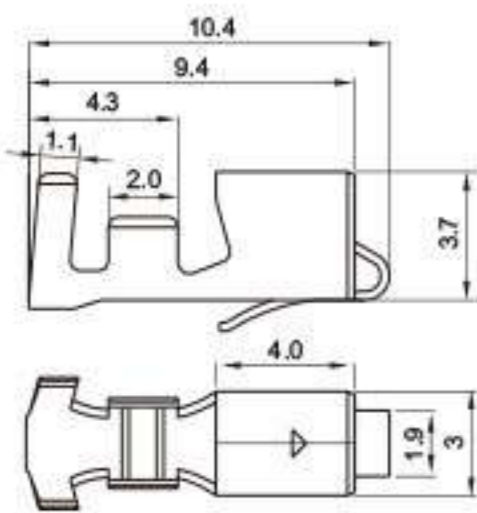


■ 技术参数 SPECIFICATIONS

- 线数 Number of positions: 2~13
- 适用线规 Applicable wires: 24~16AWG
- 温度范围 Temperature range: -40°C~105°C
(including temperature rise in applying electrical current)
- 额定电压 Voltage rating: 250V AC, DC Max.
- 额定电流 Current rating: 7A AC, DC Max.
- 接触电阻 Contact resistance: ≤ 10mΩ
- 绝缘电阻 Insulation resistance: ≥ 1000MΩ
- 耐压 Withstanding voltage: 1500V AC/minute

*Compliant with RoHS.

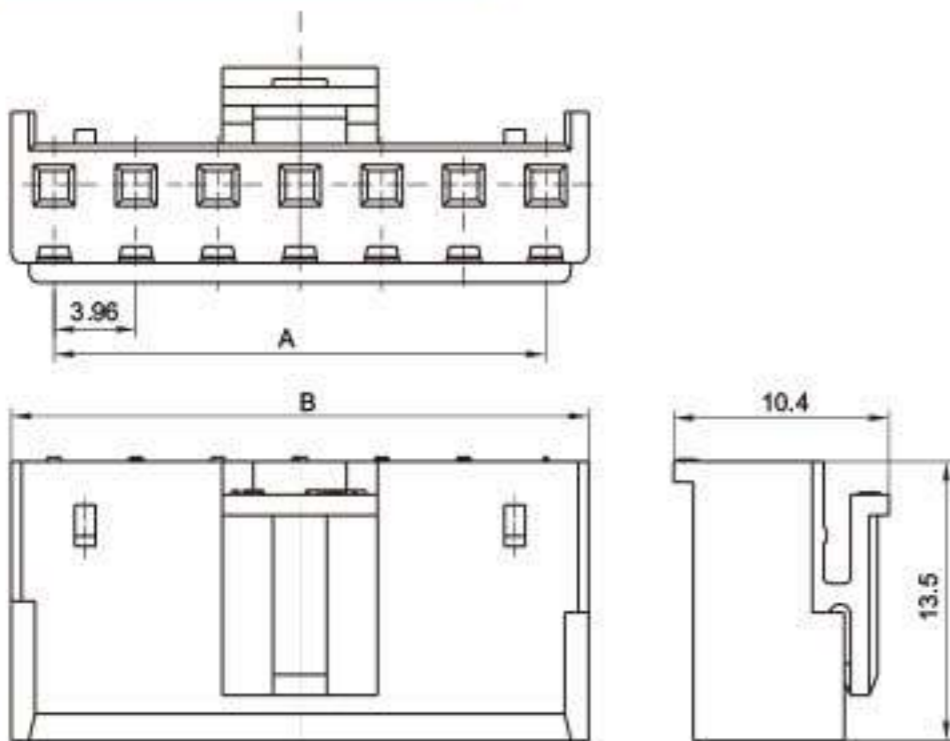
C39604-NPT(VH-PT)



端子 TERMINAL

型号 Part No.	材质 Material	料厚 Thickness	线规 Applicable wires		电线外径 Wire insulation O.D. mm	镀层 Plating	包装数量 Q'ty/reel
			AWG#	线径 mm ²			
C39604-01RT	Phosphor bronze	0.25	24-22	0.22-0.33	1.5-1.7	Tin Plated	2.5K
C39604-02PT	Phosphor bronze	0.25	22-18	0.5-0.75	1.7-2.8	Tin Plated	2.5K
C39604-03PT	Phosphor bronze	0.25	18-16	0.75-1.25	2.8-3.5	Tin Plated	2.5K

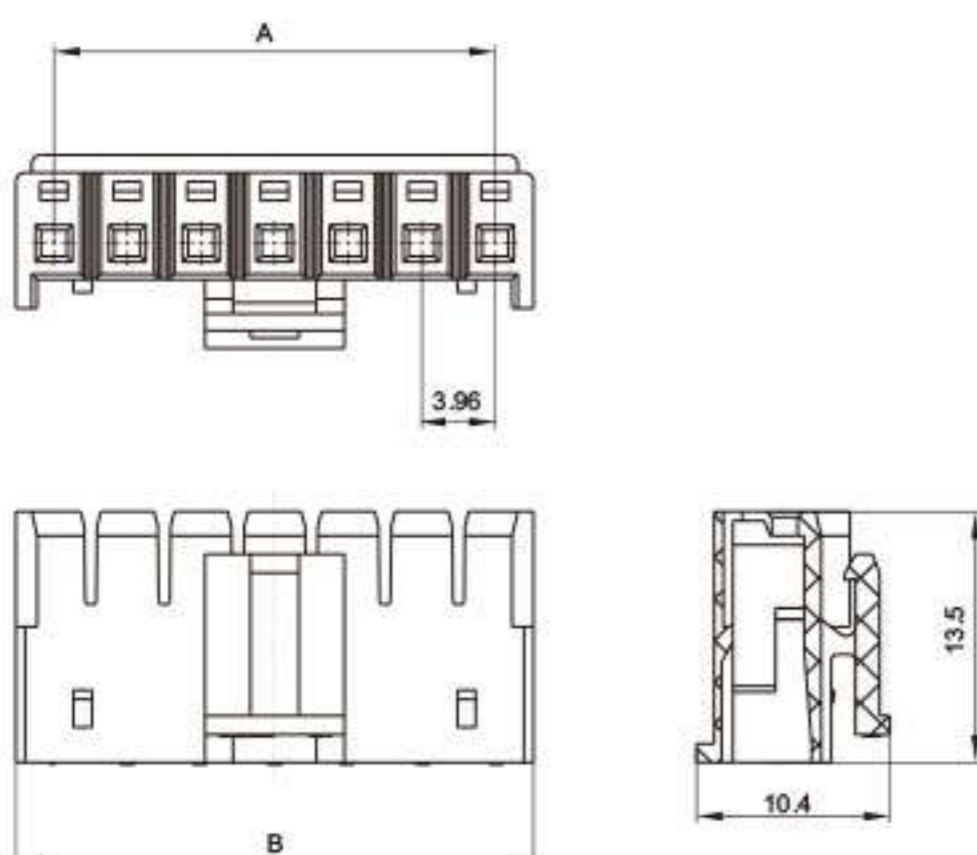
C39604-BNP(VHS-NY)



公端塑件 PLUG HOUSING

型号 Part No.	材质 Material	包装数量 Q'ty/bag	尺寸 Dimensions(mm)	
			A	B
C39604-B02P	PA66	1K	3.96	8.11
C39604-B03P		1K	7.92	12.07
C39604-B04P		1K	11.88	16.03
C39604-B05P		1K	15.84	19.99
C39604-B06P		1K	19.8	23.95
C39604-B07P		1K	23.76	27.91
C39604-B08P		0.5K	27.72	31.87
C39604-B09P		0.5K	31.68	35.83
C39604-B10P		0.5K	35.64	39.79
C39604-B11P		0.5K	39.6	43.75
C39604-B13P		0.5K	47.52	51.67

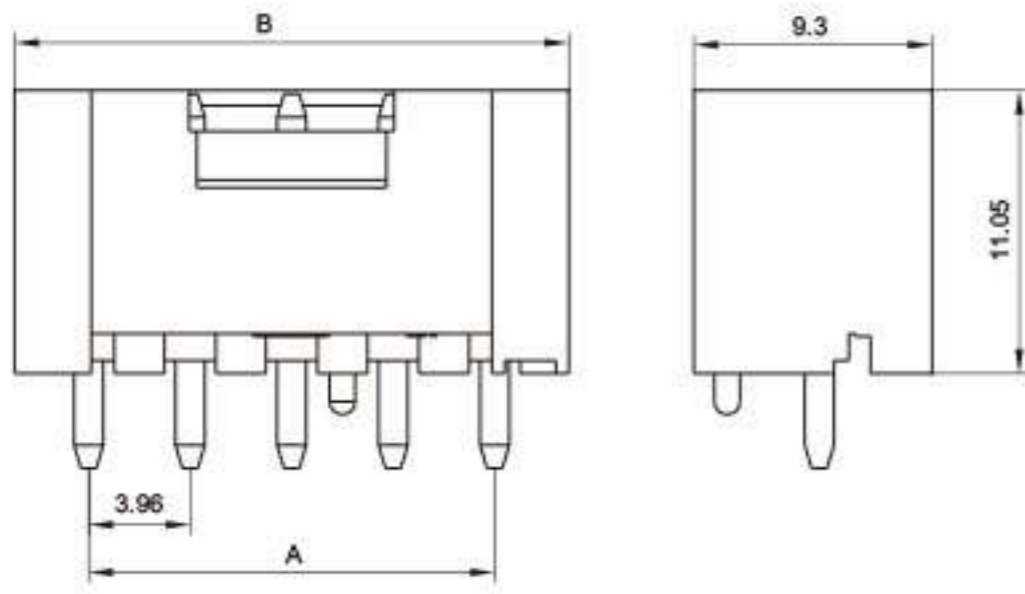
C39604-BNP(VHS-NY-2)



公端塑件 PLUG HOUSING

型号 Part No.	材质 Material	包装数量 Q'ty/bag	尺寸 Dimensions(mm)	
			A	B
C39604-B02P-2	PA66	1K	3.96	8.11
C39604-B03P-2		1K	7.92	12.07
C39604-B04P-2		1K	11.88	16.03
C39604-B05P-2		1K	15.84	19.99
C39604-B06P-2		1K	19.8	23.95
C39604-B07P-2		1K	23.76	27.91
C39604-B08P-2		0.5K	27.72	31.87
C39604-B09P-2		0.5K	31.68	35.83
C39604-B10P-2		0.5K	35.64	39.79
C39604-B11P-2		0.5K	39.6	43.75
C39604-B13P-2		0.5K	47.52	51.67

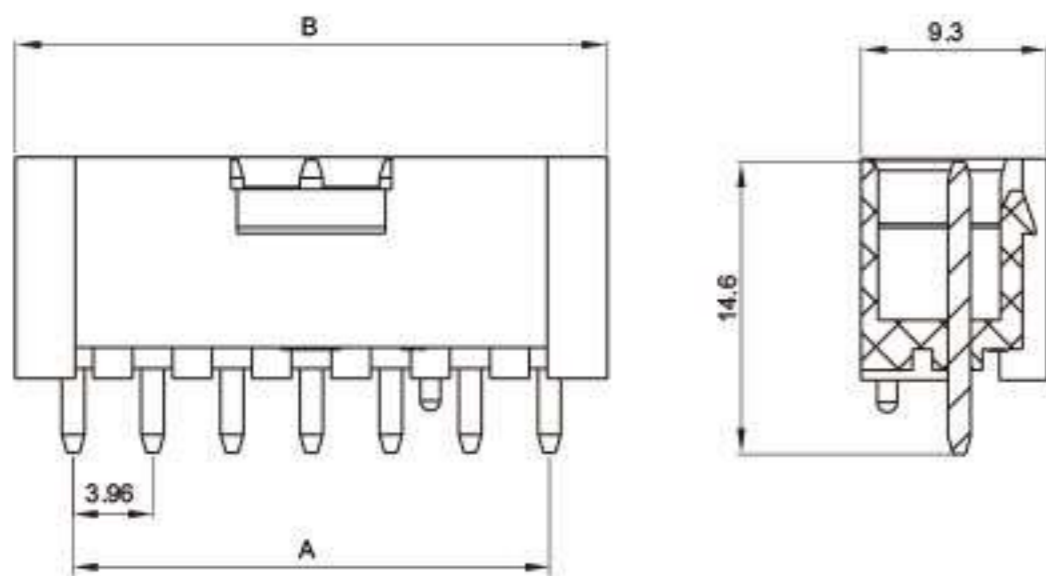
C39604-BNAD(VHB-NAD)



针座 WAFER

型号 Part No.	材质 Material	包装数量 Q'ty/bag	尺寸 Dimensions(mm)	
			A	B
C39604-B02AD	PA66	0.5K	3.96	9.75
C39604-B03AD		0.5K	7.92	13.76
C39604-B04AD		0.5K	11.88	17.72
C39604-B05AD		0.5K	15.84	21.68
C39604-B06AD		0.5K	19.8	25.64
C39604-B07AD		0.5K	23.76	29.6
C39604-B08AD		0.5K	27.72	33.56
C39604-B09AD		0.5K	31.68	37.52
C39604-B10AD		0.5K	35.64	41.48
C39604-B11AD		0.5K	39.60	45.44
C39604-B13AD		0.5K	47.52	53.44

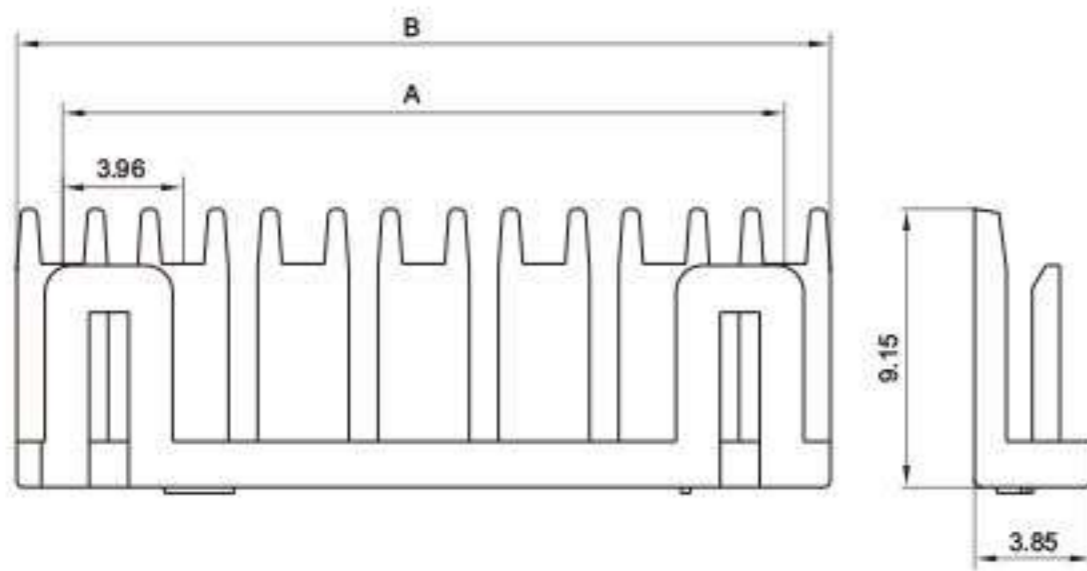
C39604-BNAD-2(VHB-NAD-2)



针座 WAFER

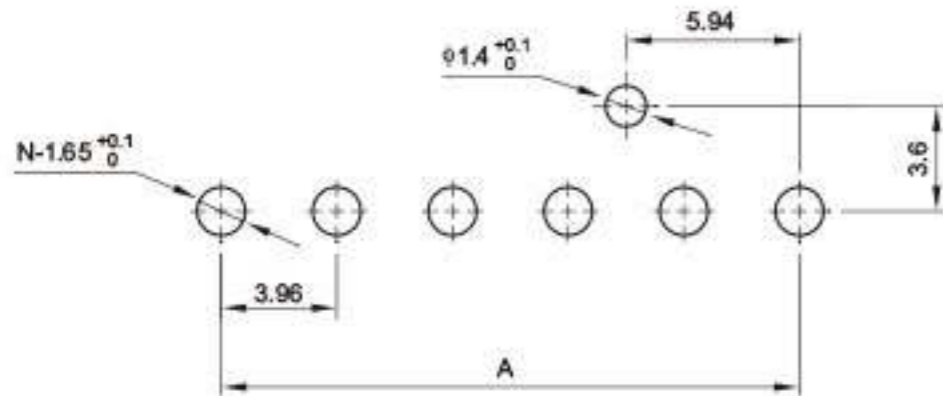
型号 Part No.	材质 Material	包装数量 Q'ty/bag	尺寸 Dimensions(mm)	
			A	B
C39604-B02AD-2	PA66	0.5K	3.96	9.75
C39604-B03AD-2		0.5K	7.92	13.76
C39604-B04AD-2		0.5K	11.88	17.72
C39604-B05AD-2		0.5K	15.84	21.68
C39604-B06AD-2		0.5K	19.8	25.64
C39604-B07AD-2		0.5K	23.76	29.6
C39604-B08AD-2		0.5K	27.72	33.56
C39604-B09AD-2		0.5K	31.68	37.52
C39604-B10AD-2		0.5K	35.64	41.48
C39604-B11AD-2		0.5K	39.60	45.44
C39604-B13AD-2		0.5K	47.52	53.44

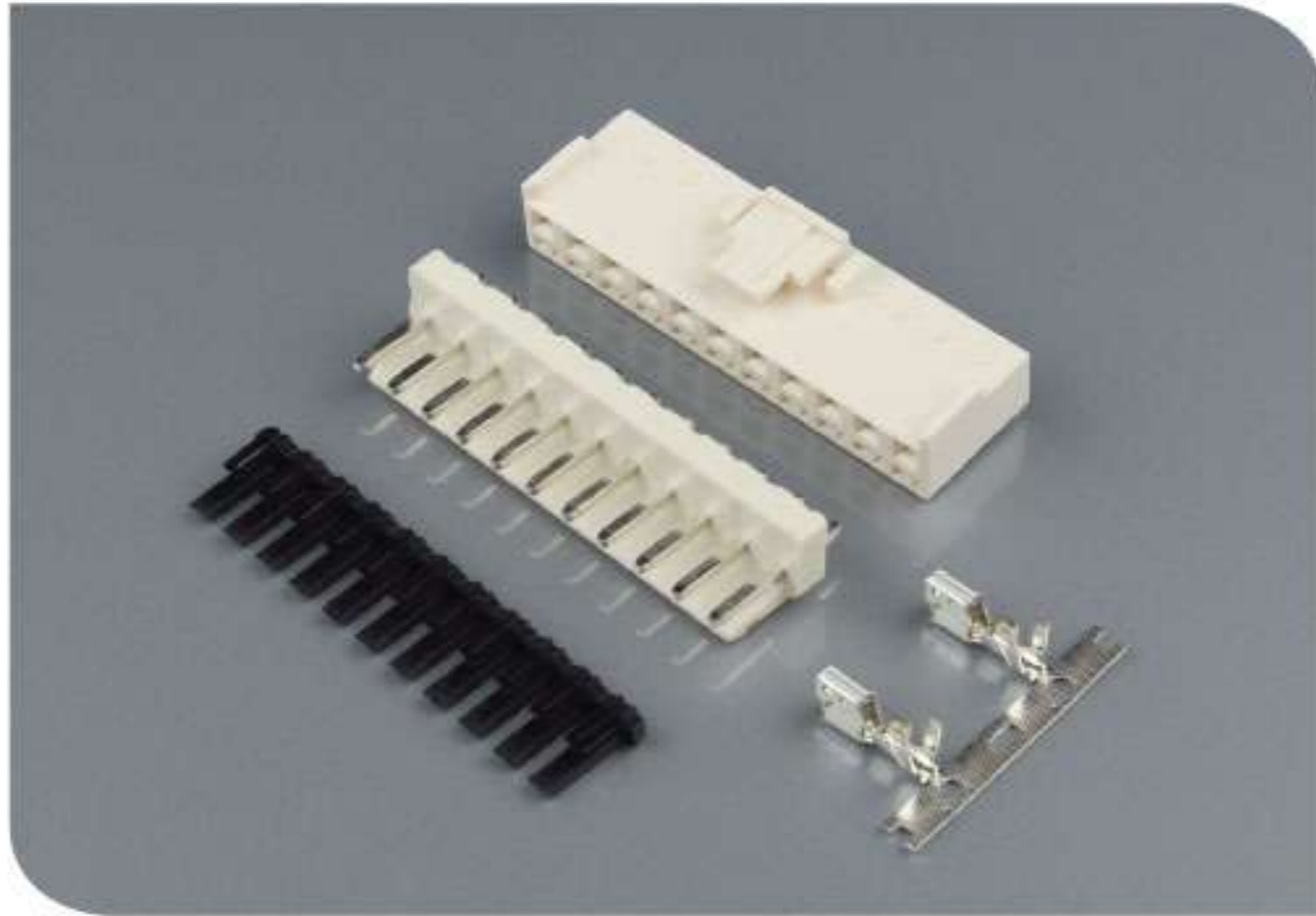
C39604-BNS(VHS-NS)



锁片 TPA

型号 Part No.	材质 Material	包装数量 Q'ty/bag	尺寸 Dimensions(mm)	
			A	B
C39604-B02S/B02S-2	PA66	2K	3.96	6.7
C39604-B03S/B02S-2		2K	7.8	10.8
C39604-B04S/B02S-2		1K	11.7	14.7
C39604-B05S/B02S-2		1K	15.84	18.84
C39604-B06S/B02S-2		1K	19.8	22.8
C39604-B07S/B02S-2		1K	23.76	26.76
C39604-B08S/B02S-2		1K	27.72	30.72
C39604-B09S/B02S-2		1K	31.68	34.68
C39604-B10S/B02S-2		1K	35.64	38.64
C39604-B11S/B02S-2		1K	39.6	42.6
C39604-B13S/B02S-2		1K	47.52	50.52



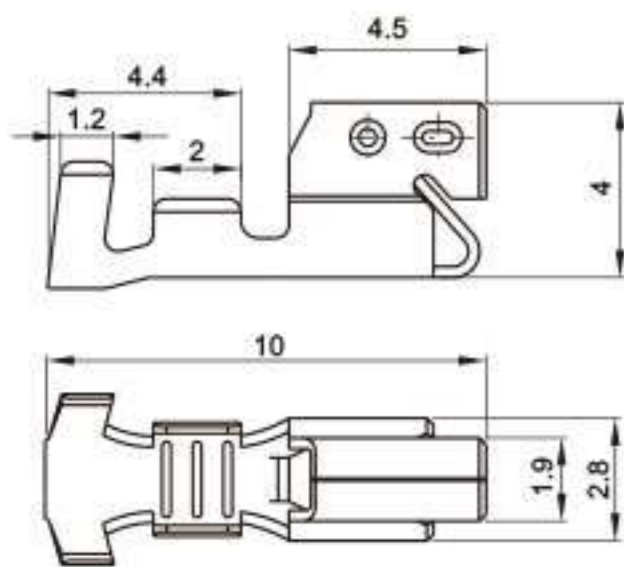


■ 技术参数 SPECIFICATIONS

- 线数 Number of positions: 2~11
- 适用线规 Applicable wires: 24~18AWG
- 温度范围 Temperature range: -40°C~105°C
(including temperature rise in applying electrical current)
- 额定电压 Voltage rating: 250V AC, DC Max.
- 额定电流 Current rating: 7A AC, DC Max.
- 接触电阻 Contact resistance: $\leq 10\text{m}\Omega$
- 绝缘电阻 Insulation resistance: $\geq 1000\text{M}\Omega$
- 耐压 Withstanding voltage: 1500V AC/minute

*Compliant with RoHS.

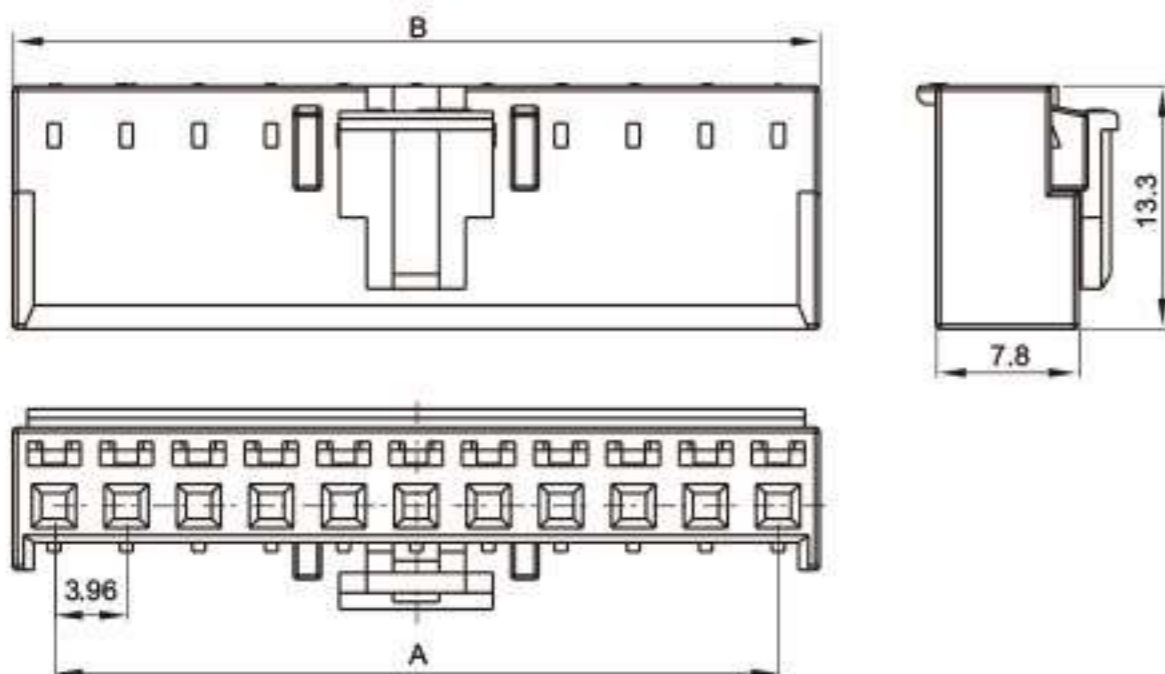
C39604-4NPT(1744144)



端子 TERMINAL

型号 Part No.	材质 Material	料厚 Thickness	线规 Applicable wires		电线外径 Wire insulation O.D. mm	镀层 Plating	包装数量 Q'ty/reel
			AWG#	线径 mm ²			
C39604-41PT	Phosphor bronze	0.25	24-22	0.22-0.33	1.5-1.7	Tin Plated	3K
C39604-42PT	Phosphor bronze	0.25	22-18	0.5-0.75	1.7-2.8	Tin Plated	3K

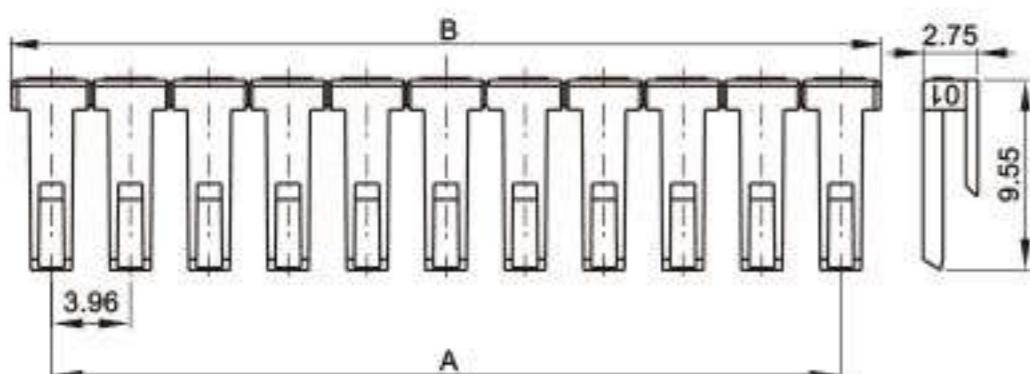
C39604-DNP(1744416)



公端塑件 PLUG HOUSING

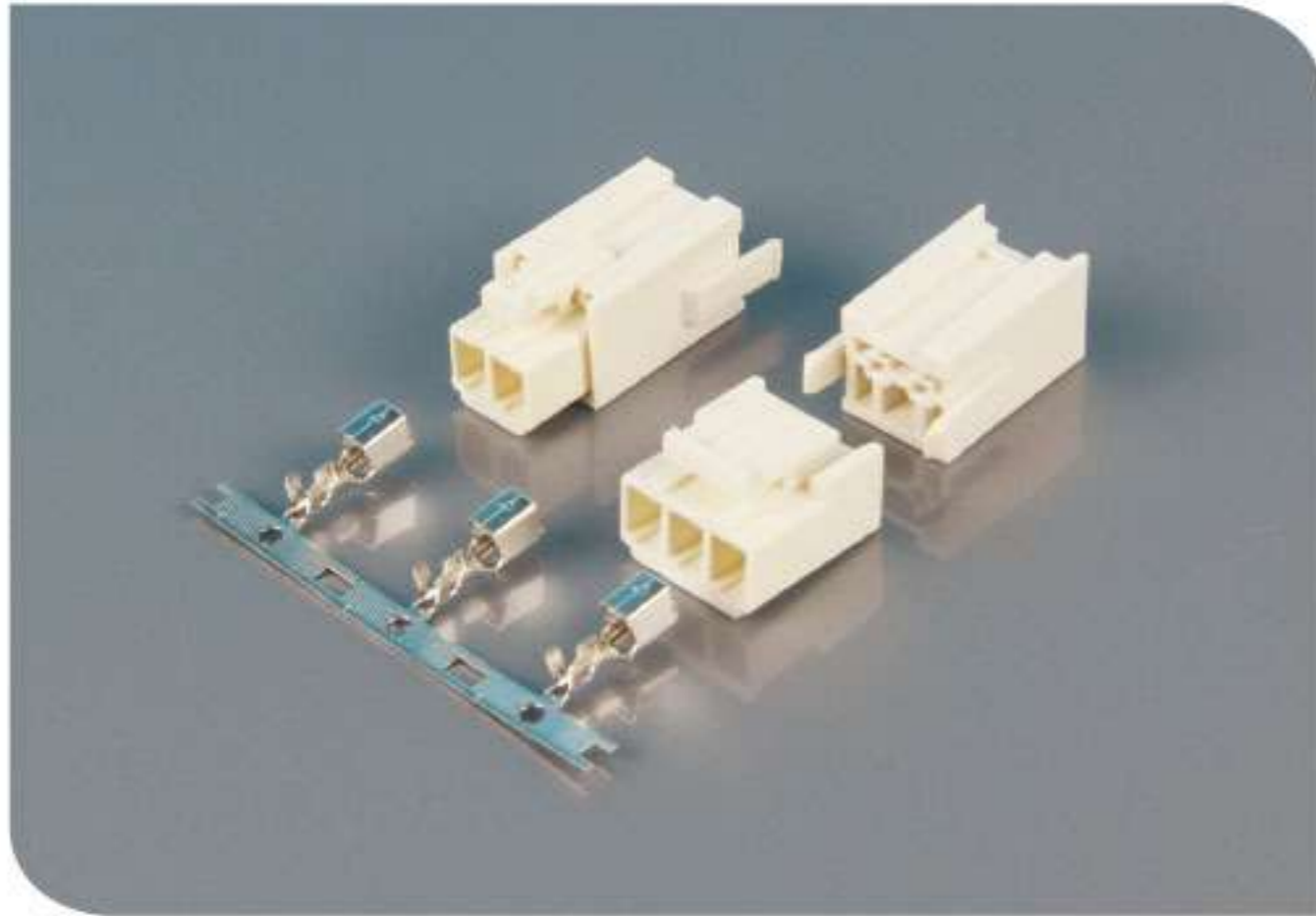
型号 Part No.	材质 Material	包装数量 Q'ty/bag	尺寸 Dimensions(mm)	
			A	B
C39604-D02P	PA66	1K	3.96	8.48
C39604-D03P		1K	7.92	12.44
C39604-D04P		1K	11.88	16.4
C39604-D05P		1K	15.84	20.44
C39604-D06P		1K	19.8	24.4
C39604-D07P		1K	23.76	28.36
C39604-D08P		1K	27.72	32.32
C39604-D09P		1K	31.68	36.28
C39604-D10P		1K	35.64	40.24
C39604-D11P		0.5K	39.6	44.2

C39604-DNS(1744544)



锁片 TPA

型号 Part No.	材质 Material	包装数量 Q'ty/bag	尺寸 Dimensions(mm)	
			A	B
C39604-D2S	PA66	1K	3.96	7.92
C39604-D3S		1K	7.92	11.88
C39604-D4S		1K	11.88	15.84
C39604-D5S		1K	15.84	19.8
C39604-D6S		1K	19.8	23.76
C39604-D7S		1K	23.76	27.72
C39604-D8S		1K	27.72	31.68
C39604-D9S		1K	31.68	35.64
C39604-D10S		1K	35.64	39.6
C39604-D11S		1K	39.6	43.56

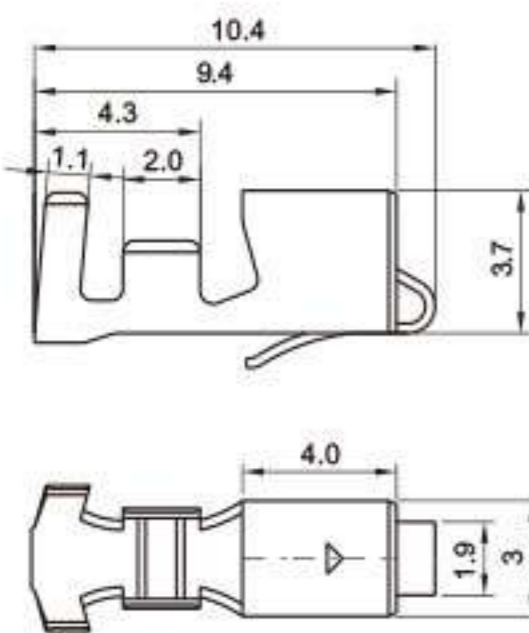


■ 技术参数 SPECIFICATIONS

- 线数 Number of positions: 2~13
- 适用线规 Applicable wires: 24~16AWG
- 温度范围 Temperature range: -40°C~105°C
(including temperature rise in applying electrical current)
- 额定电压 Voltage rating: 250V AC, DC Max.
- 额定电流 Current rating: 7A AC, DC Max.
- 接触电阻 Contact resistance: $\leq 10\text{m}\Omega$
- 绝缘电阻 Insulation resistance: $\geq 1000\text{M}\Omega$
- 耐压 Withstanding voltage: 1500V AC/minute

*Compliant with RoHS.

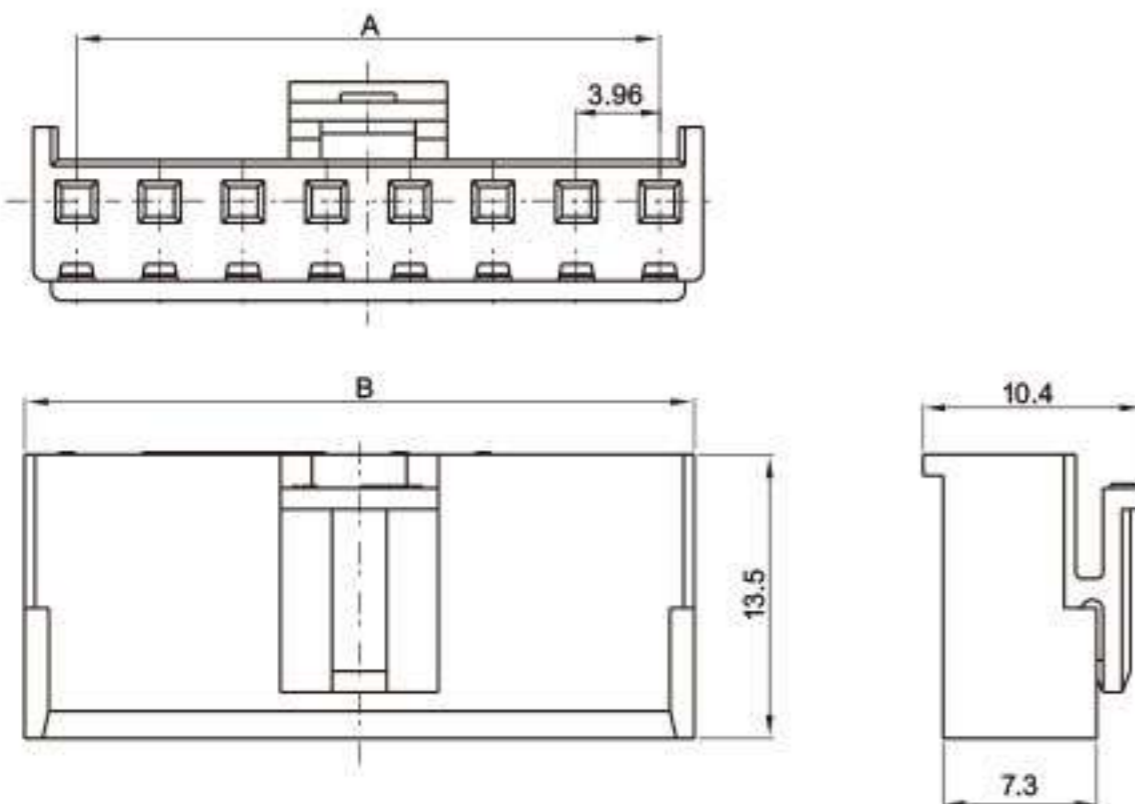
C39604-NPT(VH-PT)



端子 TERMINAL

型号 Part No.	材质 Material	料厚 Thickness	线规 Applicable wires		电线外径 Wire insulation O.D. mm	镀层 Plating	包装数量 Q'ty/reel
			AWG#	线径 mm ²			
C39604-01PT	Phosphor bronze	0.25	24-22	0.22-0.33	1.5-1.7	Tin Plated	2.5K
C39604-02PT	Phosphor bronze	0.25	22-18	0.5-0.75	1.7-2.8	Tin Plated	2.5K
C39604-03PT	Phosphor bronze	0.25	18-16	0.75-1.25	2.8-3.5	Tin Plated	2.5K

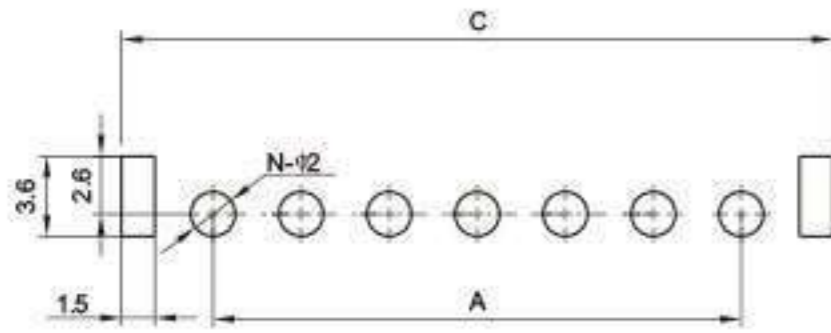
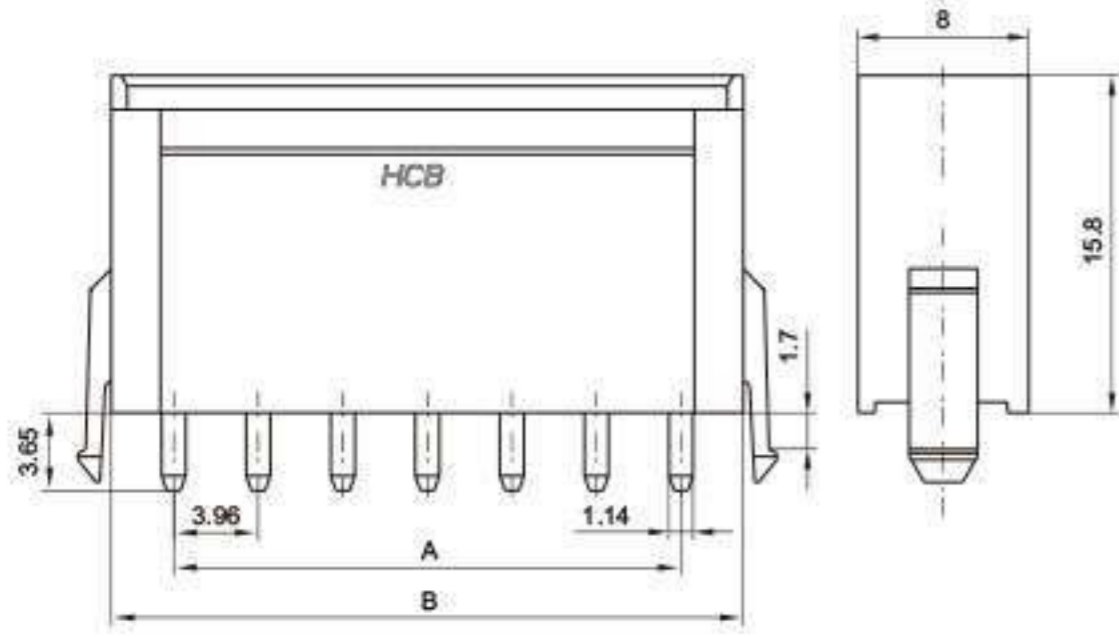
C39604-ANP(VH-NY)



公端塑件 PLUG HOUSING

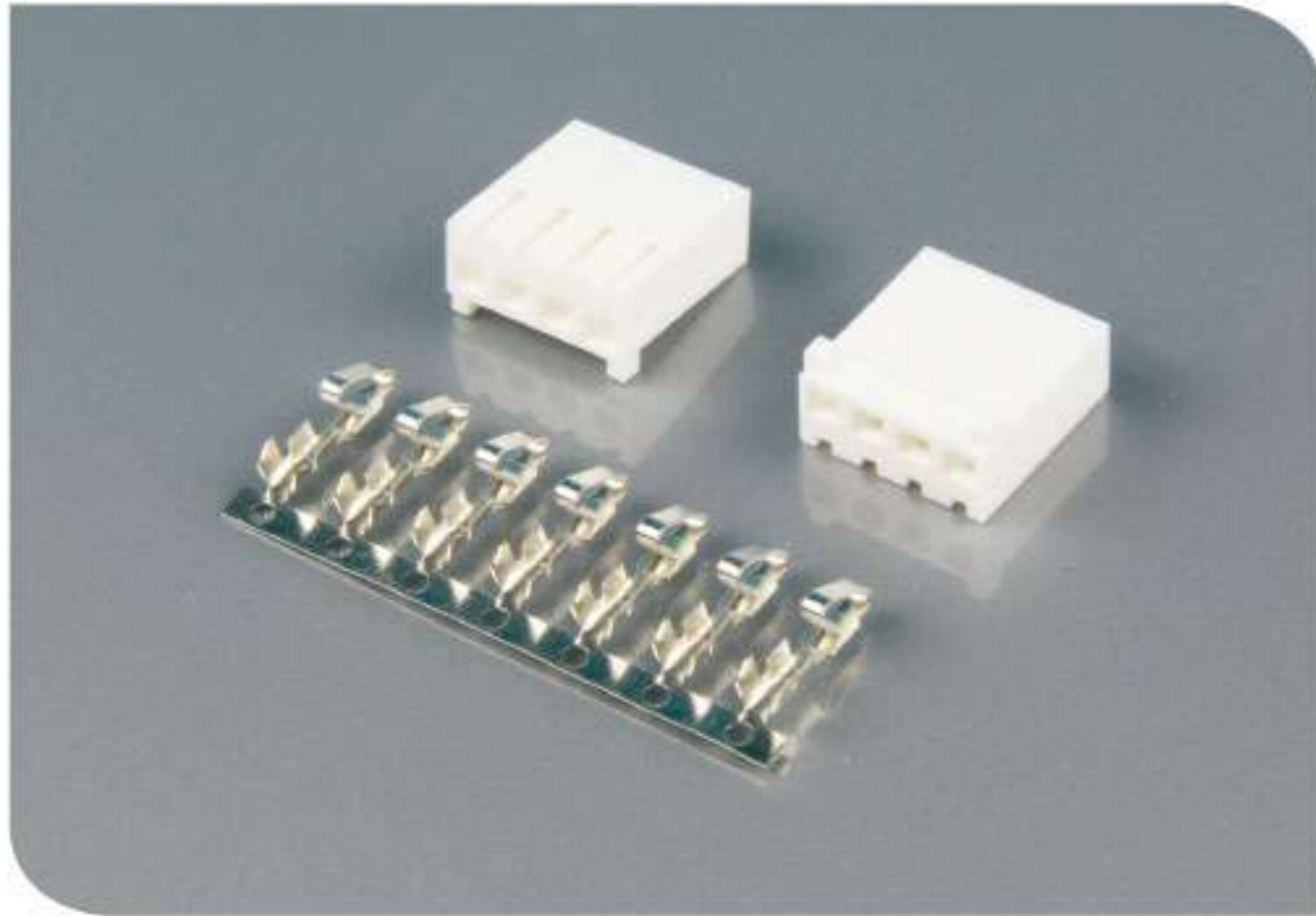
型号 Part No.	材质 Material	包装数量 Q'ty/bag	尺寸 Dimensions(mm)	
			A	B
C39604-A02P	PA66	1K	3.96	8.11
C39604-A03P		1K	7.92	12.07
C39604-A04P		1K	11.88	16.03
C39604-A05P		1K	15.84	19.99
C39604-A06P		1K	19.8	23.95
C39604-A07P		1K	23.76	27.91
C39604-A08P		0.5K	27.72	31.87
C39604-A09P		0.5K	31.68	35.83
C39604-A10P		0.5K	35.64	39.79
C39604-A11P		0.5K	39.6	43.75
C39604-A13P		0.5K	47.52	51.67

C39604-DNA(VHD-NA)



针座 WAFER

型号 Part No.	材质 Material	包装数量 Q'ty/bag	尺寸 Dimensions(mm)	
			A	B
C39604-D02A	PA66	0.5K	3.96	9.8
C39604-D03A		0.5K	7.92	13.76
C39604-D04A		0.5K	11.88	17.72
C39604-D05A		0.5K	15.84	21.68
C39604-D07A		0.5K	23.76	29.6

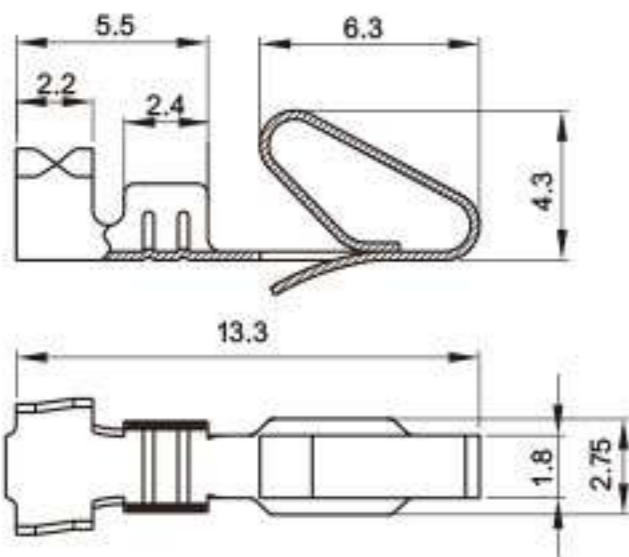


■ 技术参数 SPECIFICATIONS

- 线数 Number of positions: 4
- 适用线规 Applicable wires: 20~18AWG
- 温度范围 Temperature range: -40°C~105°C
(including temperature rise in applying electrical current)
- 额定电压 Voltage rating: 250V AC, DC Max.
- 额定电流 Current rating: 6A AC, DC Max.
- 接触电阻 Contact resistance: ≤ 10mΩ
- 绝缘电阻 Insulation resistance: ≥ 1000MΩ
- 耐压 Withstanding voltage: 1500V AC/minute

*Compliant with RoHS.

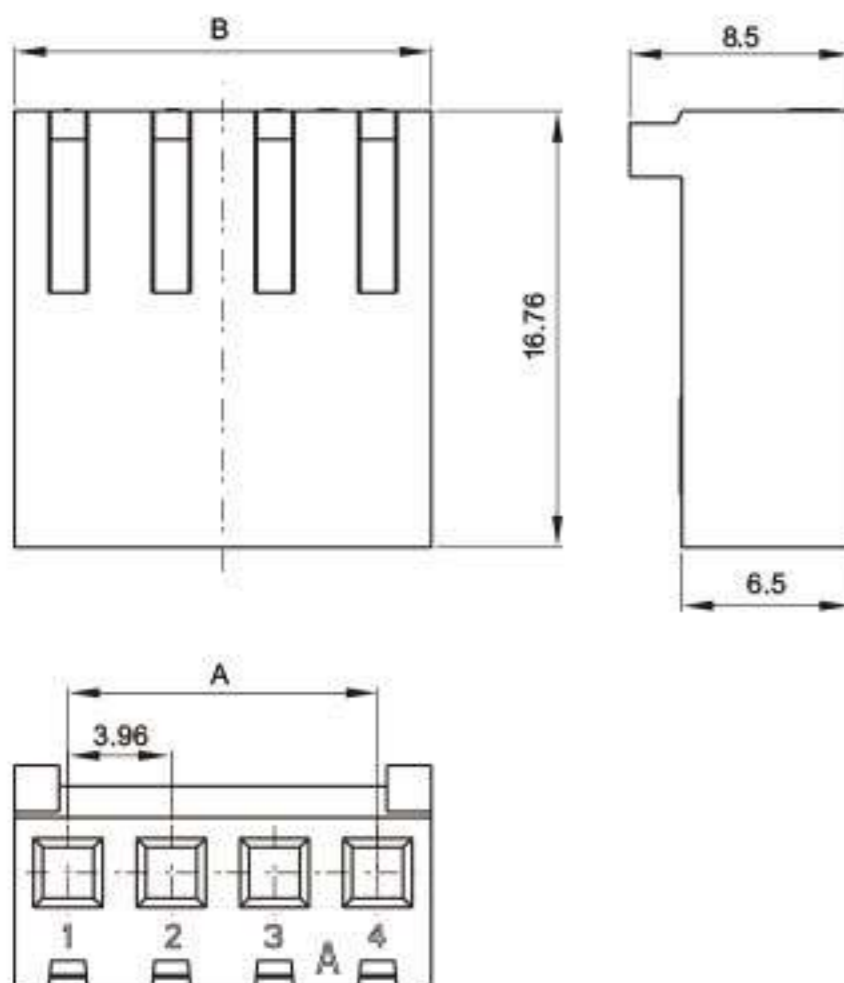
C39605-02PT(TJC6-PT)



端子 TERMINAL

型号 Part No.	材质 Material	料厚 Thickness	线规 Applicable wires		电线外径 Wire insulation O.D. mm	镀层 Plating	包装数量 Q'ty/reel
			AWG#	线径 mm ²			
C39605-02PT	Phosphor bronze	0.25	20-18	0.5-1.25	1.7-2.8	Tin Plated	4K

C39605-ANP(68002585)



公端塑件 PLUG HOUSING

型号 Part No.	材质 Material	包装数量 Q'ty/bag	尺寸 Dimensions(mm)	
			A	B
C39605-A04P	PA66	1K	11.88	16.0

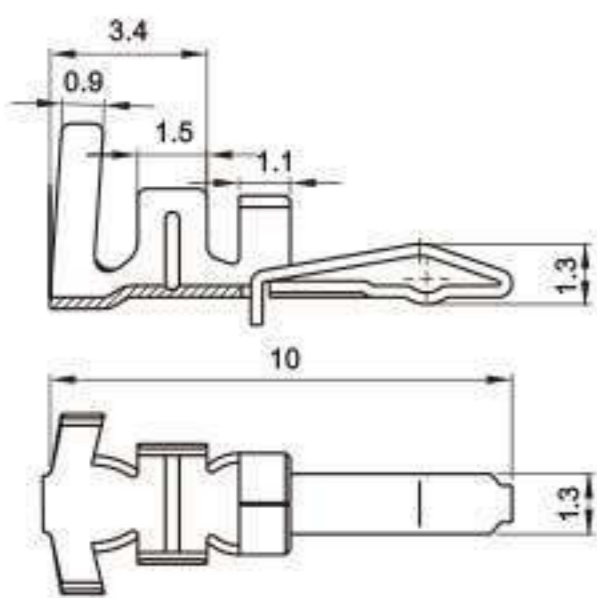


■ 技术参数 SPECIFICATIONS

- 线数 Number of positions: 3~8
- 适用线规 Applicable wires: 20~18AWG
- 温度范围 Temperature range: -40°C~105°C
(including temperature rise in applying electrical current)
- 额定电压 Voltage rating: 250V AC, DC Max.
- 额定电流 Current rating: 7A AC, DC Max.
- 接触电阻 Contact resistance: $\leq 10\text{m}\Omega$
- 绝缘电阻 Insulation resistance: $\geq 1000\text{M}\Omega$
- 耐压 Withstanding voltage: 1500V AC/minute

*Compliant with RoHS.

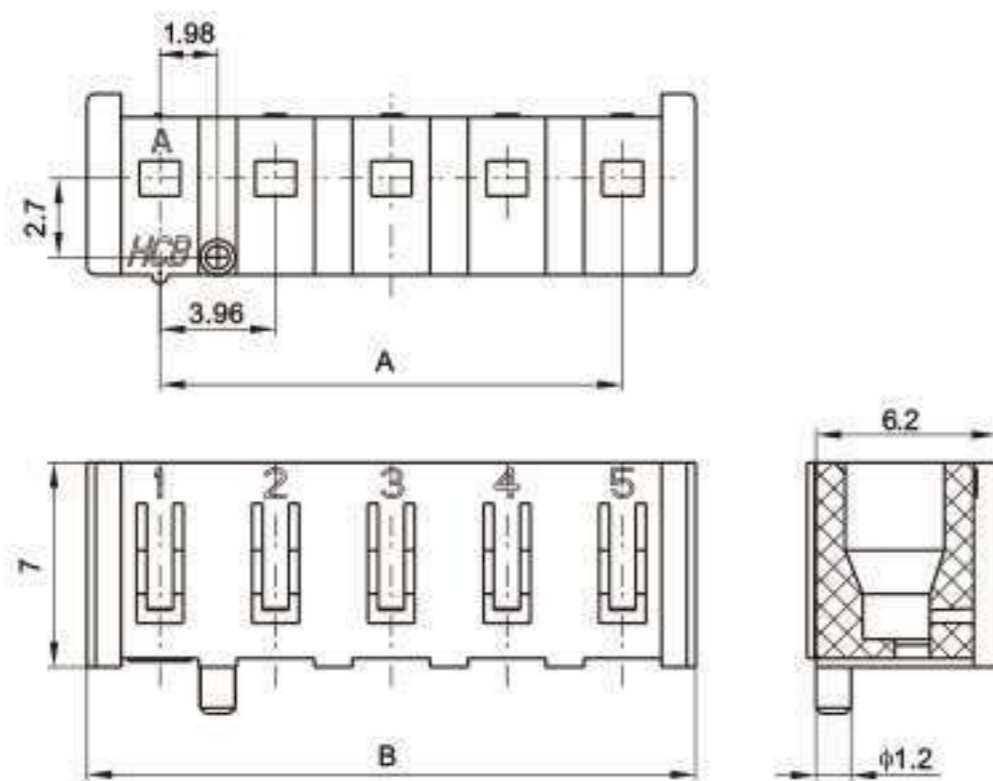
C39606-02PT(SDN-21T-P0.5)



端子 TERMINAL

型号 Part No.	材质 Material	料厚 Thickness	线规 Applicable wires		电线外径 Wire insulation O.D. mm	镀层 Plating	包装数量 Q'ty/reel
			AWG#	线径 mm ²			
C39605-02PT	Phosphor bronze	0.25	20-18	0.5-1.25	1.7-2.8	Tin Plated	4K

C39606-ANP(SDN-NP)



公端塑件 PLUG HOUSING

型号 Part No.	材质 Material	包装数量 Q'ty/bag	尺寸 Dimensions(mm)	
			A	B
C39606-A03P	PA66	1K	7.92	12.72
C39606-A05P		1K	15.84	20.84
C39606-A08P		1K	27.72	32.72

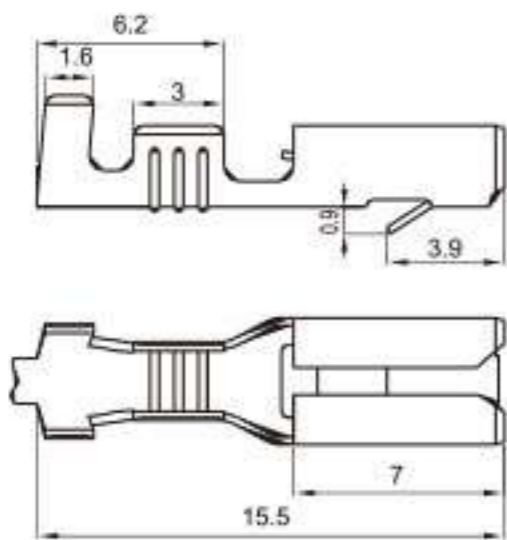


■ 技术参数 SPECIFICATIONS

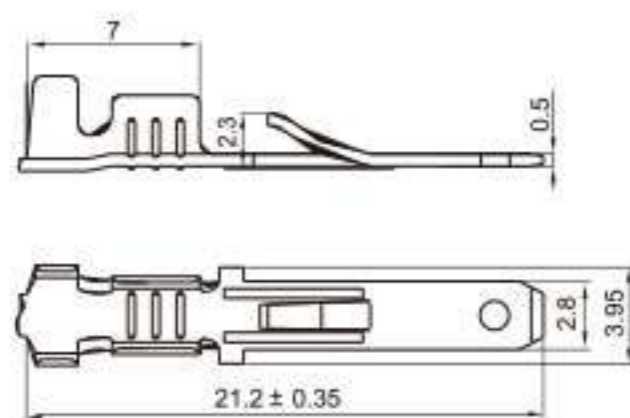
- 线数 Number of positions: 2~9
- 适用线规 Applicable wires: 24~18AWG
- 温度范围 Temperature range: -40°C~105°C
(including temperature rise in applying electrical current)
- 额定电压 Voltage rating: 250V AC, DC Max.
- 额定电流 Current rating: 8A AC, DC Max.
- 接触电阻 Contact resistance: $\leq 10\text{m}\Omega$
- 绝缘电阻 Insulation resistance: $\geq 1000\text{M}\Omega$
- 耐压 Withstanding voltage: 1500V AC/minute

*Compliant with RoHS.

C40001-NPT(2.8 四方插)



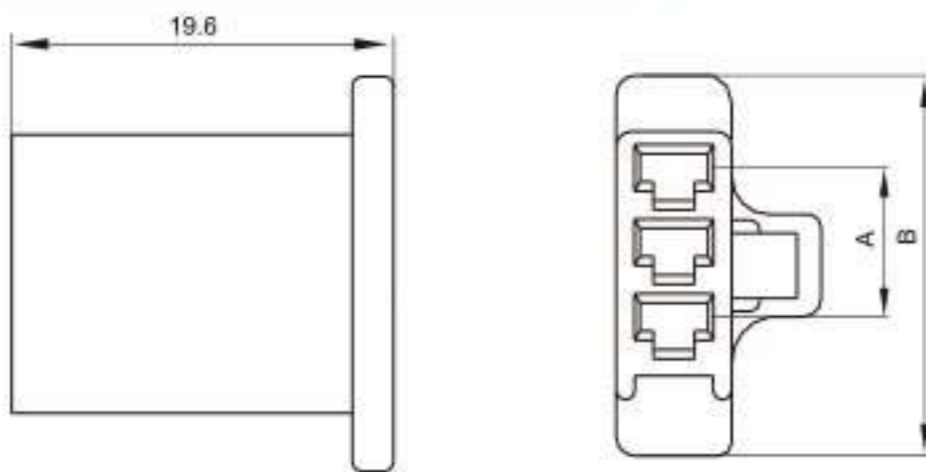
TR1101-0022(2.8 带钩插片)



端子 TERMINAL

型号 Part No.	材质 Material	料厚 Thickness	线规 Applicable wires		电线外径 Wire insulation O.D. mm	镀层 Plating	包装数量 Q'ty/reel
			AWG#	线径 mm ²			
C40001-02PT	Phosphor bronze	0.25	20-18	0.5-0.75	2.6-2.8	Tin Plated	4K
C40001-01PT	Phosphor bronze	0.25	24-22	0.22-0.33	1.5-1.7	Tin Plated	4K
TR1101-0022	Phosphor bronze	0.5	20-18	0.5-0.75	2.6-2.8	Tin Plated	4K

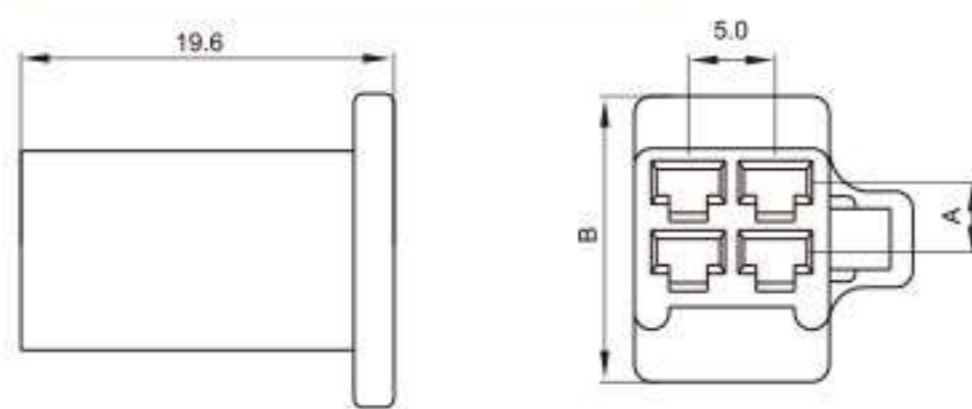
C40001-ANP(HC70NA-2.8-21)



公端塑件 PLUG HOUSING

型号 Part No.	材质 Material	包装数量 Q'ty/bag	尺寸 Dimensions(mm)	
			A	B
C40001-A02P	PA66	1K	4.0	16.45
C40001-A03P		1K	8.0	20.45

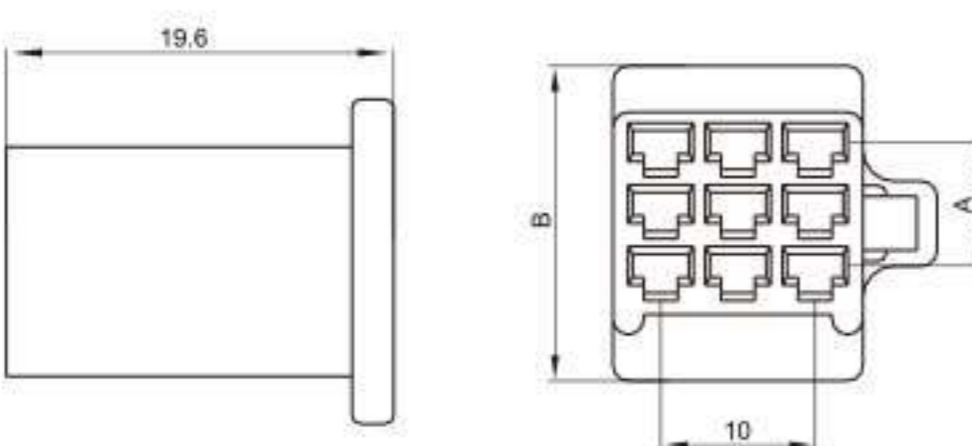
C40001-ANP(HC70NA-2.8-21)



公端塑件 PLUG HOUSING

型号 Part No.	材质 Material	包装数量 Q'ty/bag	尺寸 Dimensions(mm)	
			A	B
C40001-A04P	PA66	1K	4.0	16.45
C40001-A06P		1K	8.0	20.45

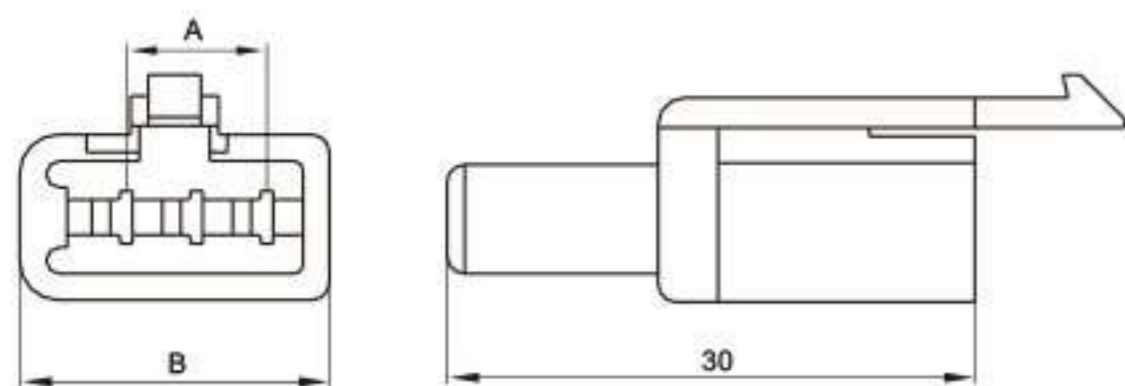
C40001-ANP(HC7091A-2.8-21)



公端塑件 PLUG HOUSING

型号 Part No.	材质 Material	包装数量 Q'ty/bag	尺寸 Dimensions(mm)	
			A	B
C40001-A09P	PA66	1K	8.0	20.4

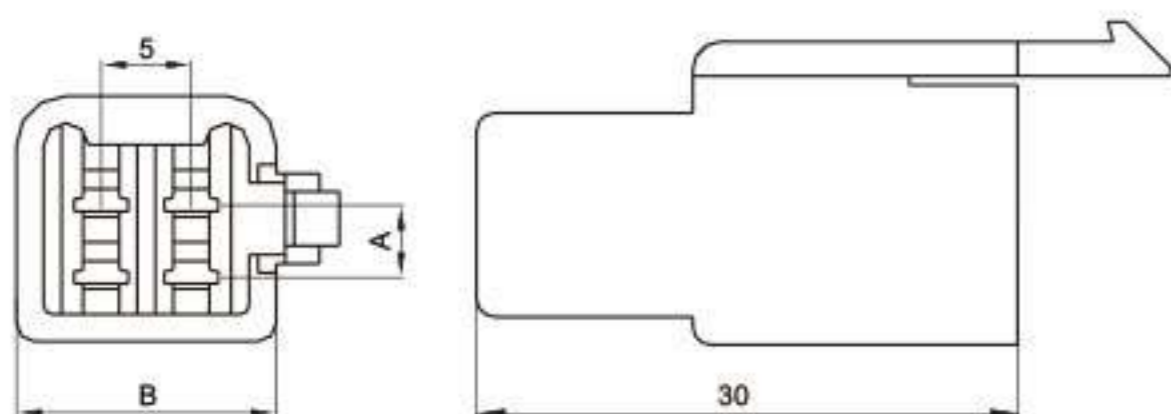
C40001-ANR(HC70NA-2.8-11)



母端塑件 RECEPTACLE

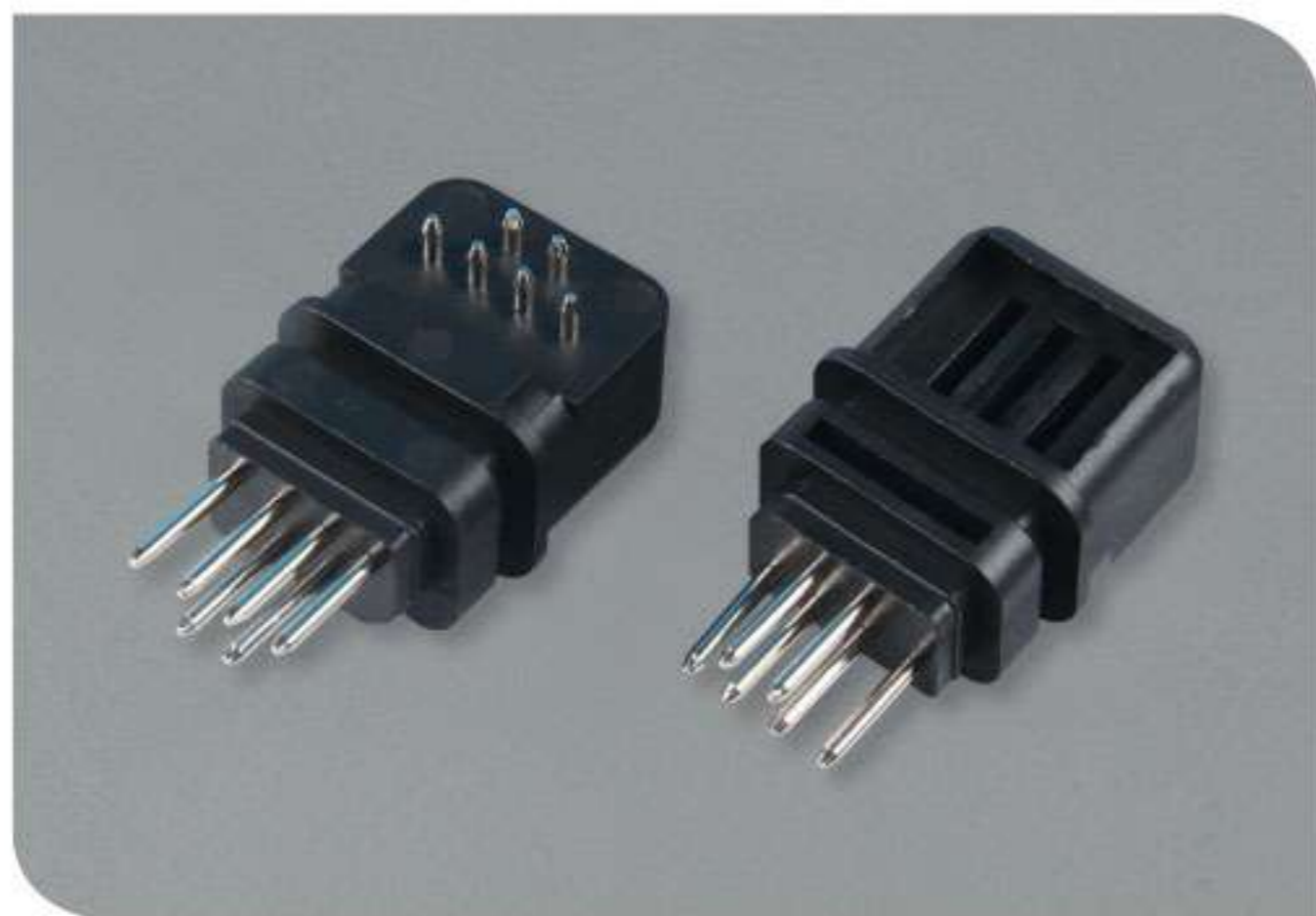
型号 Part No.	材质 Material	包装数量 Q'ty/bag	尺寸 Dimensions(mm)	
			A	B
C40001-A02R	PA66	1K	4.0	13.7
C40001-A03R		1K	8.0	17.7

C40001-ANR(HC70NA-2.8-11)



母端塑件 RECEPTACLE

型号 Part No.	材质 Material	包装数量 Q'ty/bag	尺寸 Dimensions(mm)	
			A	B
C40001-A04R	PA66	1K	4.0	14.4
C40001-A06R		1K	8.0	14.5
C40001-A09R		1K	8.0	19.4

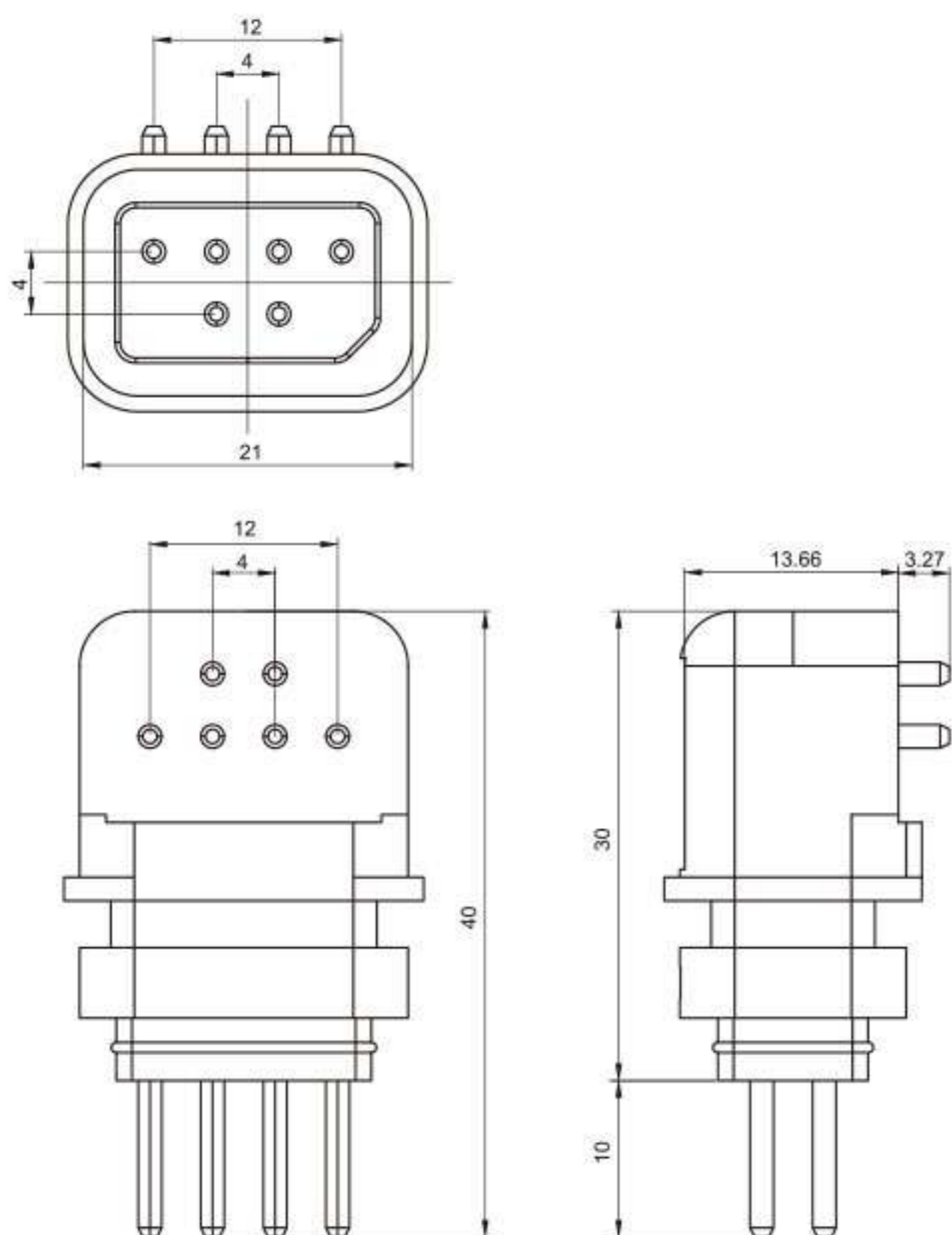


■ 技术参数 SPECIFICATIONS

- 线数 Number of positions:6
- 适用线规 Applicable wires:
- 温度范围 Temperature range:-40℃~105℃
(including temperature rise in applying electrical current)
- 额定电压 Voltage rating:250V AC,DC Max.
- 额定电流 Current rating:3A AC,DC Max.
- 接触电阻 Contact resistance: ≤ 10mΩ
- 绝缘电阻 Insulation resistance: ≥ 1000MΩ
- 耐压 Withstanding voltage:2000V AC/minute

*Compliant with RoHS.

C40002-A06A(SFA6A)



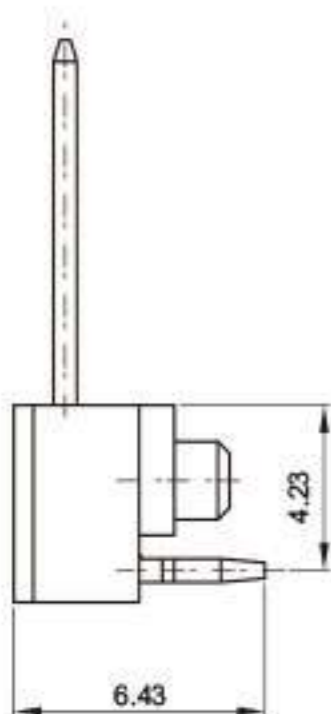
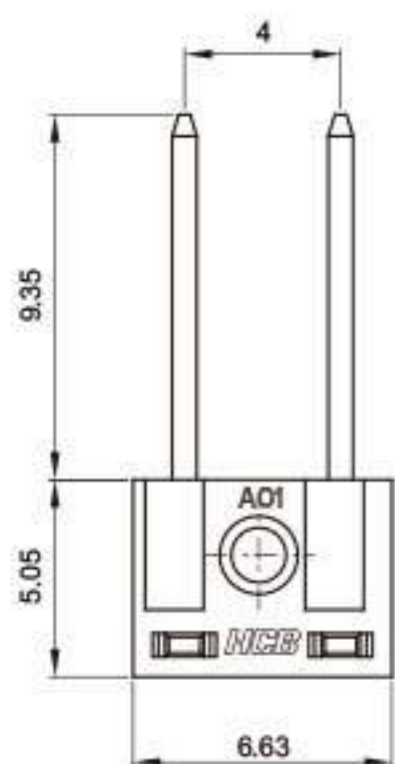


■ 技术参数 SPECIFICATIONS

- 线数 Number of positions: 2
- 适用线规 Applicable wires:
- 温度范围 Temperature range: -40°C~105°C
(including temperature rise in applying electrical current)
- 额定电压 Voltage rating: 250V AC, DC Max.
- 额定电流 Current rating: 3A AC, DC Max.
- 接触电阻 Contact resistance: $\leq 10\text{m}\Omega$
- 绝缘电阻 Insulation resistance: $\geq 1000\text{M}\Omega$
- 耐压 Withstanding voltage: 1000V AC/minute

*Compliant with RoHS.

C40003-A02ADW(滴滴插针 2PIN)



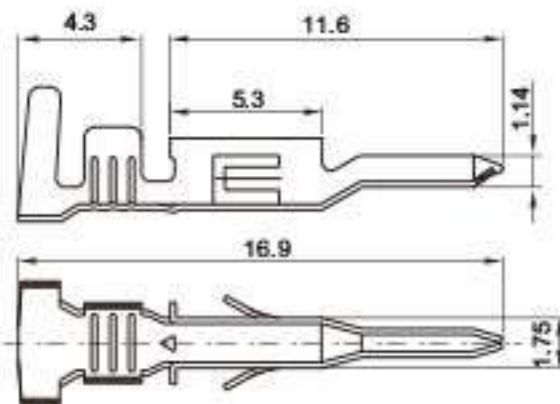


■ 技术参数 SPECIFICATIONS

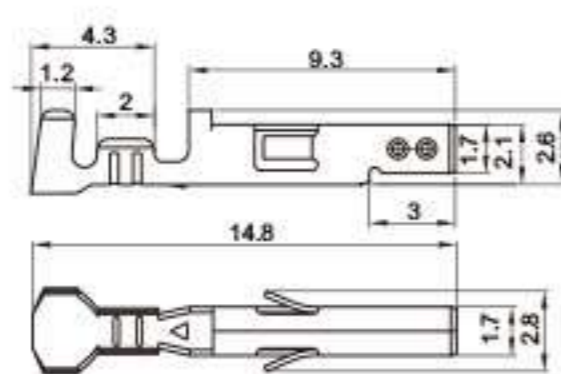
- 线数 Number of positions: 2~14
- 适用线规 Applicable wires: 22~16AWG
- 温度范围 Temperature range: -40°C~105°C
(including temperature rise in applying electrical current)
- 额定电压 Voltage rating: 220V AC, DC Max.
- 额定电流 Current rating: 6A AC, DC Max.
- 接触电阻 Contact resistance: $\leq 10\text{m}\Omega$
- 绝缘电阻 Insulation resistance: $\geq 1000\text{M}\Omega$
- 耐压 Withstanding voltage: 1500V AC/minute

*Compliant with RoHS.

C42001-**RT(5558-RT)



C42001-**PT(5556-PT)



端子 TERMINAL

型号 Part No.	材质 Material	料厚 Thickness	线规 Applicable wires		电线外径 Wire insulation O.D. mm	镀层 Plating	包装数量 Q'ty/reel
			AWG#	线径 mm ²			
C42001-01PT	Phosphor bronze	0.2	26-24	0.13-0.22	1.5-1.7	Tin Plated	5K
C42001-02PT	Phosphor bronze	0.2	22-18	0.33-0.75	1.7-2.8	Tin Plated	5K
C42001-03PT	Phosphor bronze	0.2	18-16	0.75-1.25	2.0-3.5	Tin Plated	5K
C42001-01RT	Phosphor bronze	0.2	26-24	0.13-0.22	1.5-1.7	Tin Plated	5K
C42001-02RT	Phosphor bronze	0.2	22-18	0.33-0.75	1.7-2.8	Tin Plated	5K
C42001-03RT	Phosphor bronze	0.2	18-16	0.75-1.25	2.0-3.5	Tin Plated	5K

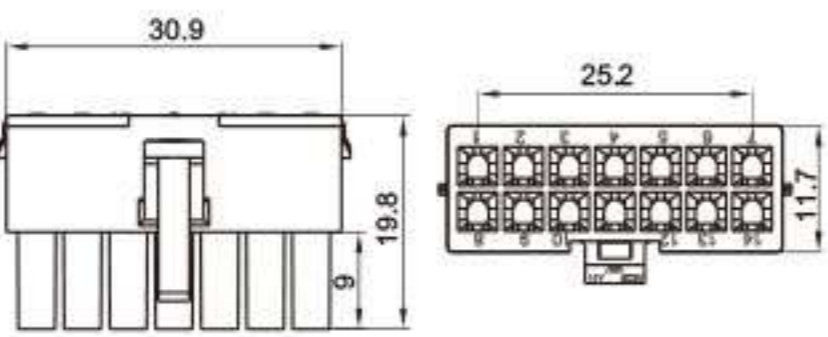
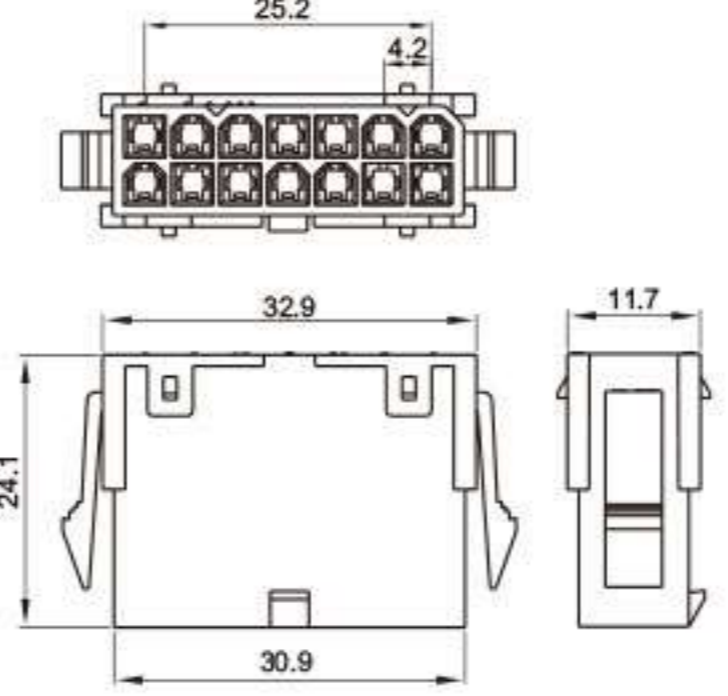
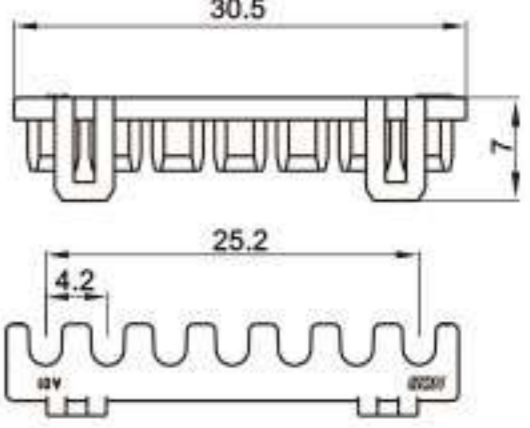
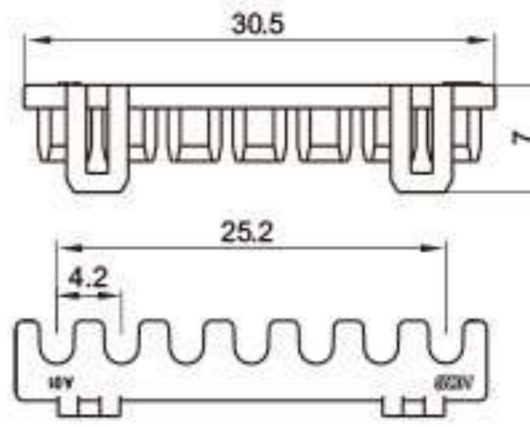
孔位数 CIRCUITS	公端塑件 PLUG HOUSING	母端塑件 RECEPTACLE	锁片 TPA
2	<p>C42001-A02P(5557-2P)</p>	<p>C42001-A02R(5559-2R 带翅)</p>	
	<p>C42001-A02PS(5557-2PS)</p>	<p>C42001-A02RF(5559-2R 无翅)</p>	<p>C42001-B02S(5557-2S 锁片)</p>

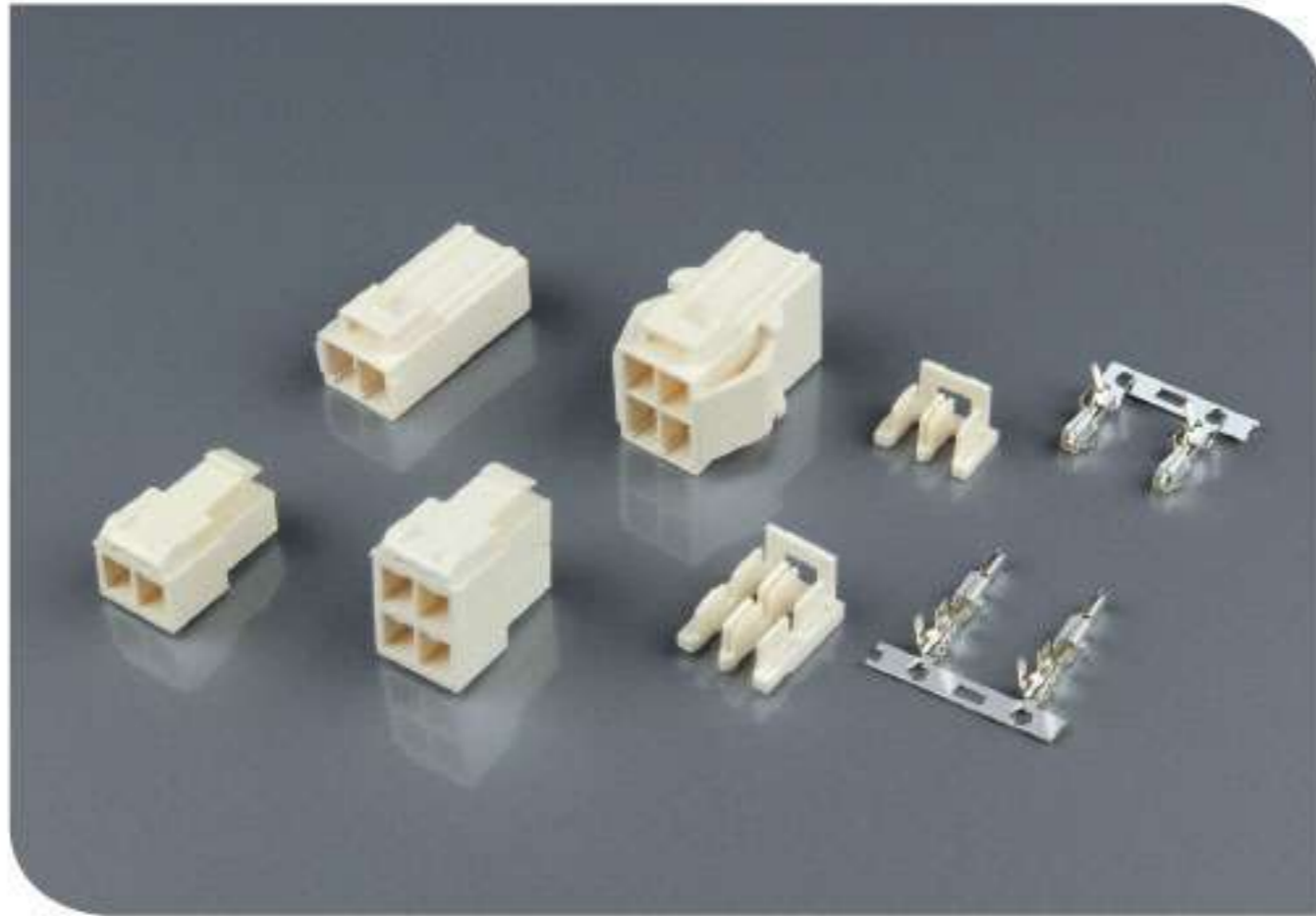
孔位数 CIRCUITS	公端塑件 PLUG HOUSING	母端塑件 RECEPTACLE	锁片 TPA
2	<p>C42001-A02P(5557-2P)</p>	<p>C42001-B02R(5559-2RS 带翅)</p>	<p>C42001-A02S(5559-2S)</p>
	<p>C42001-A02PS(5557-2PS)</p>	<p>C42001-B02RF(5559-2RFS 无翅)</p>	
3	<p>C42001-A03P(5557-3P)</p>	<p>C42001-A03RF(5559-3R 无翅)</p>	
	<p>C42001-A03PS(5557-3PS)</p>	<p>C42001-A03R(5559-3R 带翅)</p>	<p>C42001-A03S(5557-3S)</p>

孔位数 CIRCUITS	公端塑件 PLUG HOUSING	母端塑件 RECEPTACLE	锁片 TPA
2	<p>C42001-A04P(5557-4P)</p>	<p>C42001-B04R(5559-4R)</p>	<p>C42001-B04S(5557-4S)</p>
		<p>C42001-A04RF(5559-4R 无翅)</p>	
4	<p>C42001-A04PS(5557-4PS)</p>	<p>C42001-C04R(5559-4RS)</p>	<p>C42001-A04S(5559-4S)</p>
5	<p>C42001-A05PS(5557-5PS)</p>	<p>C42001-A05R(5559-5R)</p>	<p>C42001-A05S(5557-5S)</p>

孔位数 CIRCUITS	公端塑件 PLUG HOUSING	母端塑件 RECEPTACLE	锁片 TPA
6	<p>C42001-A06P(5557-6P)</p>	<p>C42001-B06R(5559-6R)</p>	<p>C42001-B06S(5557-6S)</p>
	<p>C42001-A06PS(5557-6PS)</p>	<p>C42001-A06RF(5559-6R 无翅)</p>	
8	<p>C42001-A08P(5557-8P)</p>	<p>C42001-A08R(5559-8R)</p>	<p>C42001-A08S(5559-8S)</p>
	<p>C42001-A08PS(5557-8PS)</p>	<p>C42001-A08RS(5559-8RS)</p>	

孔位数 CIRCUITS	公端塑件 PLUG HOUSING	母端塑件 RECEPTACLE	锁片 TPA
10	<p>C42001-A10P(5557-10P)</p>	<p>C42001-A10RS(5559-10RS)</p>	<p>C42001-B10S(5557-10S)</p>
	<p>C42001-A10PS(5557-10PS)</p>		<p>C42001-A10S(5559-10S)</p>
12	<p>C42001-A12PS(5557-12PS)</p>	<p>C42001-A12RS(5559-12RS)</p>	<p>C42001-B12S(5557-12S)</p>
	<p>C42001-A12S(5559-12S)</p>		

孔位数 CIRCUITS	公端塑件 PLUG HOUSING	母端塑件 RECEPTACLE	锁片 TPA
14	<p data-bbox="426 393 808 430">C42001-A14PS(5557-14PS)</p> 	<p data-bbox="1045 393 1427 430">C42001-A14RS(5559-14RS)</p> 	<p data-bbox="1606 393 1940 430">C42001-B14S(5557-14S)</p>  <p data-bbox="1606 844 1940 882">C42001-A14S(5559-14S)</p> 

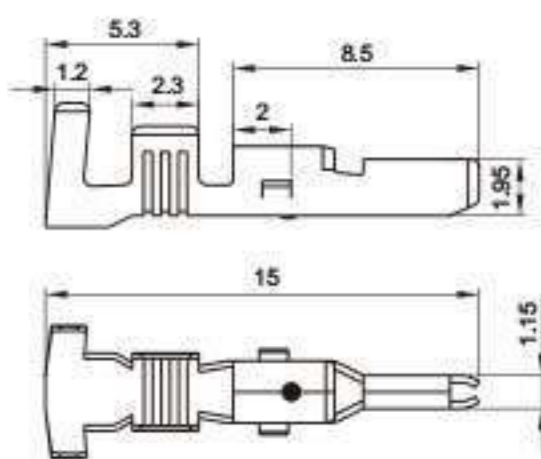


■ 技术参数 SPECIFICATIONS

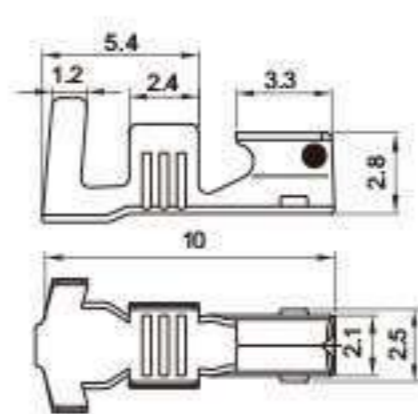
- 线数 Number of positions: 1~4
- 适用线规 Applicable wires: 24~16AWG
- 温度范围 Temperature range: -40°C~105°C
(including temperature rise in applying electrical current)
- 额定电压 Voltage rating: 250V AC, DC Max.
- 额定电流 Current rating: 10A AC, DC Max.
- 接触电阻 Contact resistance: $\leq 10\text{m}\Omega$
- 绝缘电阻 Insulation resistance: $\geq 1000\text{M}\Omega$
- 耐压 Withstanding voltage: 1500V AC/minute

*Compliant with RoHS.

C42002-02RT(RV42-RT)
C42002-01RT(RV42-RT 小脚)



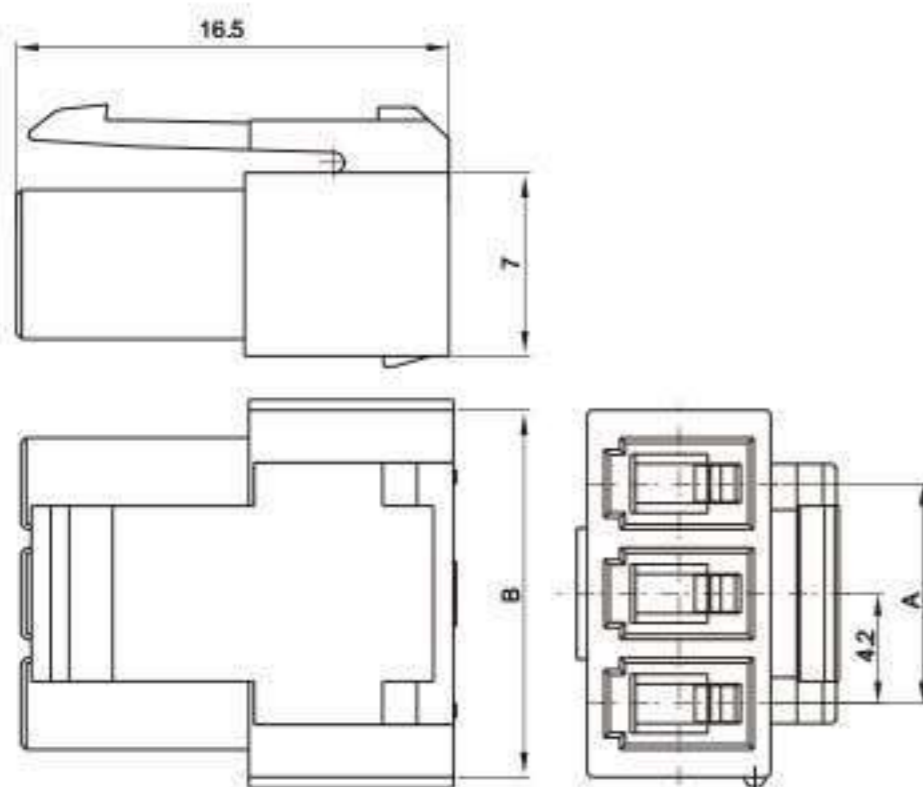
C42002-02PT(RV42-RT)
C42002-01PT(RV42-RT 小脚)



端子 TERMINAL

型号 Part No.	材质 Material	料厚 Thickness	线规 Applicable wires		电线外径 Wire insulation O.D. mm	镀层 Plating	包装数量 Q'ty/reel
			AWG#	线径 mm ²			
C42002-01RT	Phosphor bronze	0.25	20-16	0.5-1.25	1.7-3.5	Tin Plated	3.5K
C42002-02RT	Phosphor bronze	0.25	24-20	0.13-0.5	1.3-1.7	Tin Plated	3.5K
C42002-01PT	Phosphor bronze	0.25	20-16	0.5-1.25	1.7-3.5	Tin Plated	3.5K
C42002-02PT	Phosphor bronze	0.25	24-20	0.13-0.5	1.3-1.7	Tin Plated	3.5K

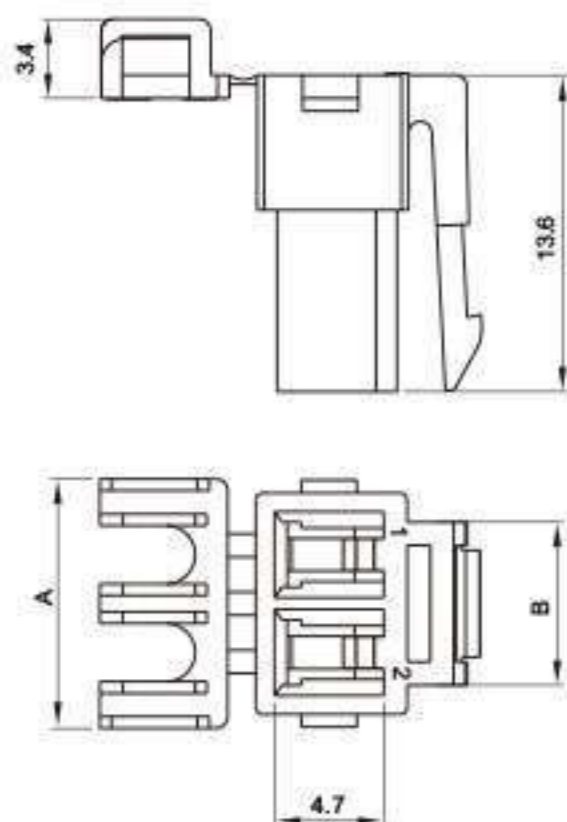
C42002-ANP(RV42-NF) 单排



公端塑件 PLUG HOUSING

型号 Part No.	材质 Material	包装数量 Q'ty/bag	尺寸 Dimensions(mm)	
			A	B
C42002-A01P	PA66	1K	NA	5.6
C42002-A02P		1K	4.2	9.7
C42002-A03P		1K	8.4	14.0

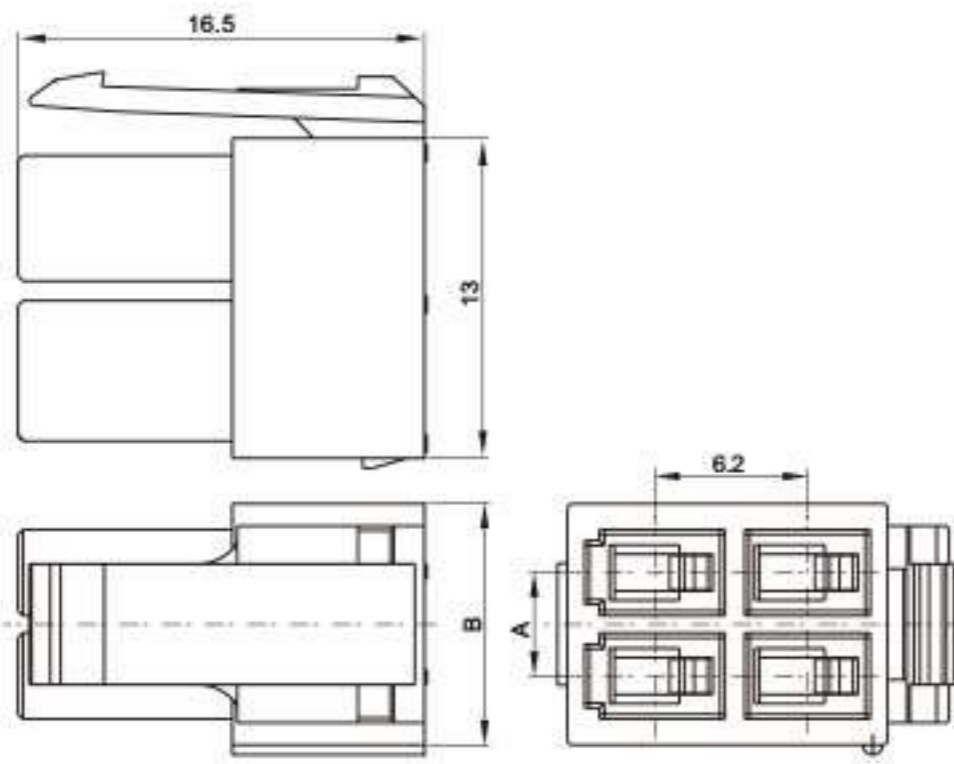
C42003-ANP(JRV42-NF)



公端塑件 PLUG HOUSING

型号 Part No.	材质 Material	包装数量 Q'ty/bag	尺寸 Dimensions(mm)	
			A	B
C42003-A01P	PA66	1K	6.5	5.3
C42003-A02P		1K	11.7	7.0

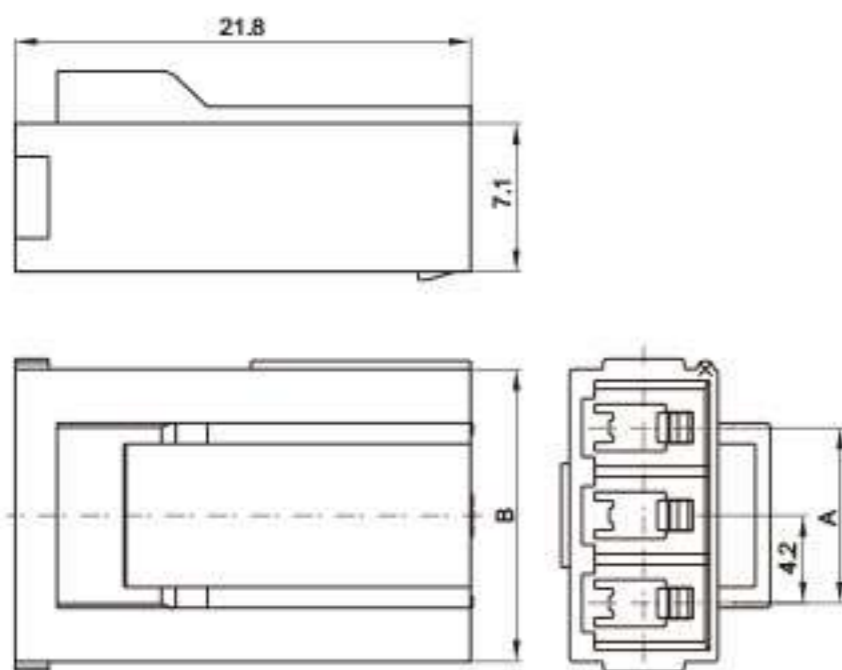
C42002-ANP(RV42-NF) 双排



公端塑件 PLUG HOUSING

型号 Part No.	材质 Material	包装数量 Q'ty/bag	尺寸 Dimensions(mm)	
			A	B
C42002-A04P	PA66	1K	4.2	10.2

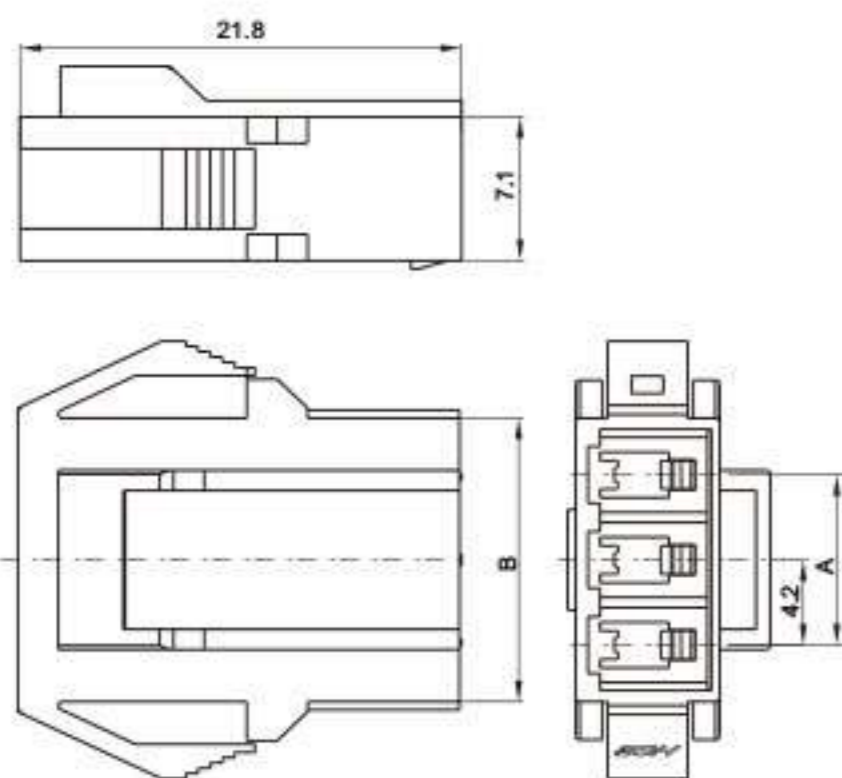
C42002-ANRF(RV42-NM) 无翅单排



母端塑件 RECEPTACLE

型号 Part No.	材质 Material	包装数量 Q'ty/bag	尺寸 Dimensions(mm)	
			A	B
C42002-A01RF	PA66	1K	NA	5.6
C42002-A02RF		1K	4.2	9.8
C42002-A03RF		1K	8.4	14.0

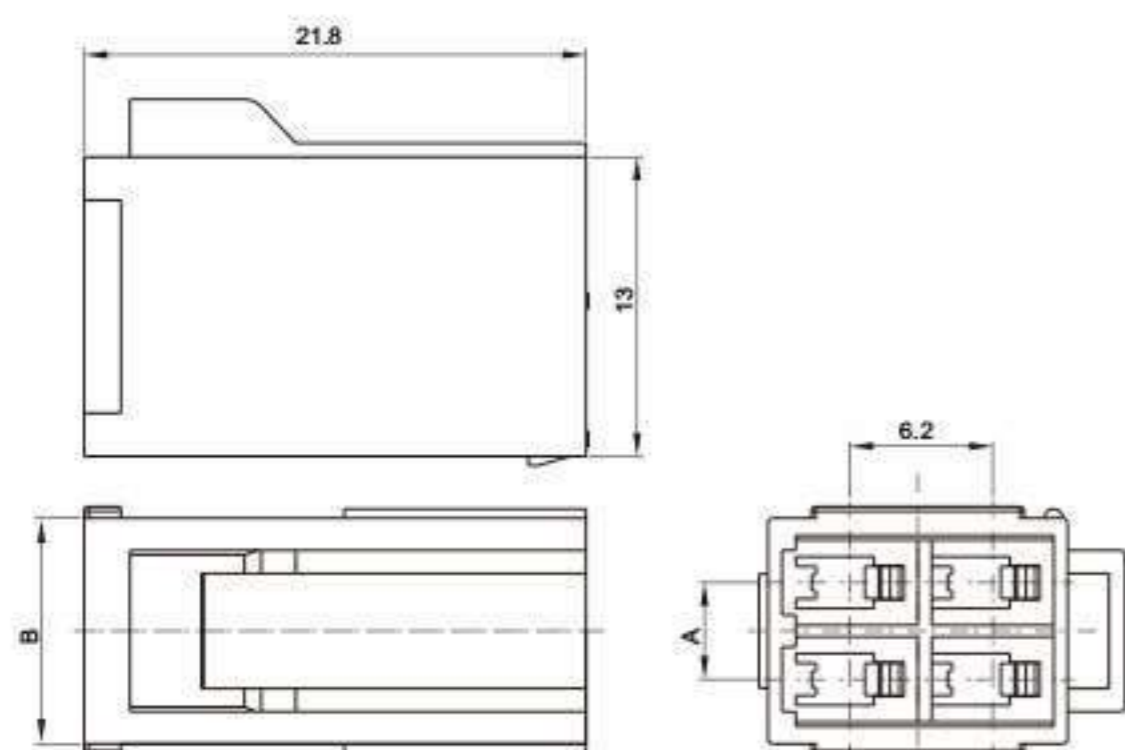
C42002-ANR(RV42-NMP) 单排



母端塑件 RECEPTACLE

型号 Part No.	材质 Material	包装数量 Q'ty/bag	尺寸 Dimensions(mm)	
			A	B
C42002-A01R	PA66	1K	NA	5.6
C42002-A02R		1K	4.2	9.8
C42002-A03R		1K	8.4	14.0

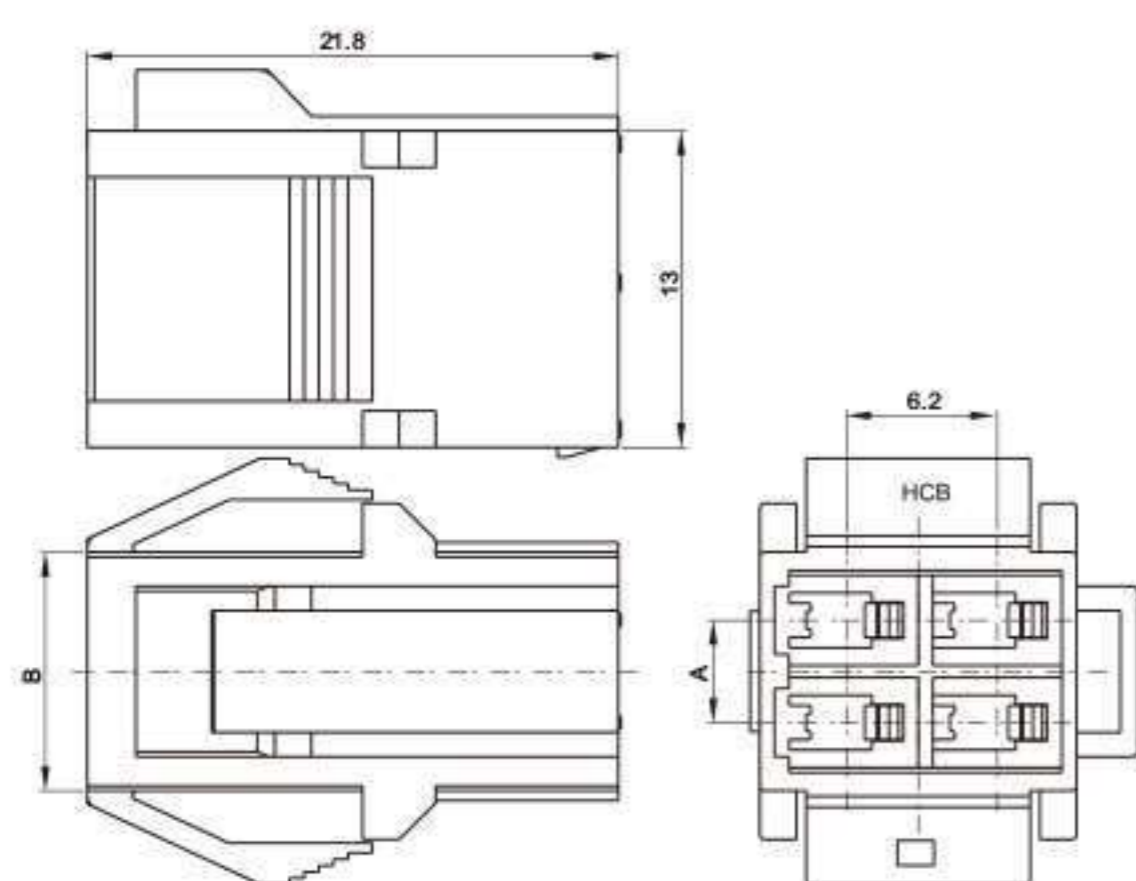
C42002-ANRF(RV42-NM) 无翅单排



公端塑件 PLUG HOUSING

型号 Part No.	材质 Material	包装数量 Q'ty/bag	尺寸 Dimensions(mm)	
			A	B
C42002-A04RF	PA66	1K	4.2	9.8

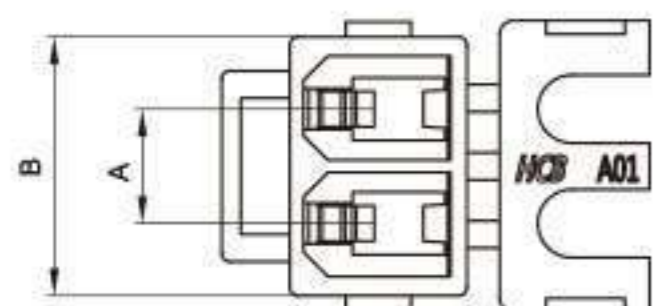
C42002-ANR(RV42-NMP) 双排



母端塑件 RECEPTACLE

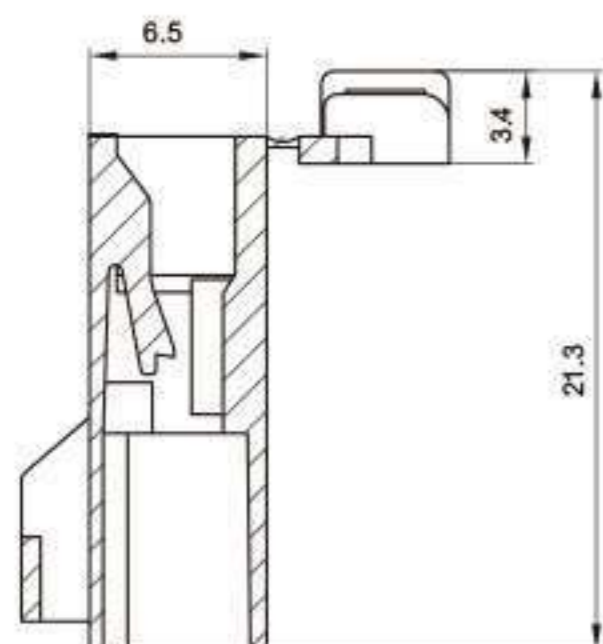
型号 Part No.	材质 Material	包装数量 Q'ty/bag	尺寸 Dimensions(mm)	
			A	B
C42002-A04R	PA66	1K	4.2	9.8

C42003-ANR(JRV42-NM)

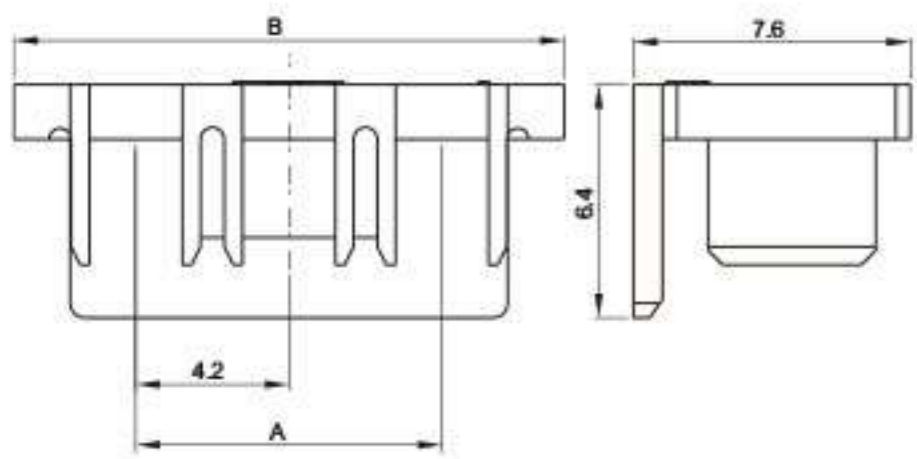


母端塑件 RECEPTACLE

型号 Part No.	材质 Material	包装数量 Q'ty/bag	尺寸 Dimensions(mm)	
			A	B
C42003-A01R	PA66	1K	4.2	5.3
C42003-A02R		1K	8.4	9.5



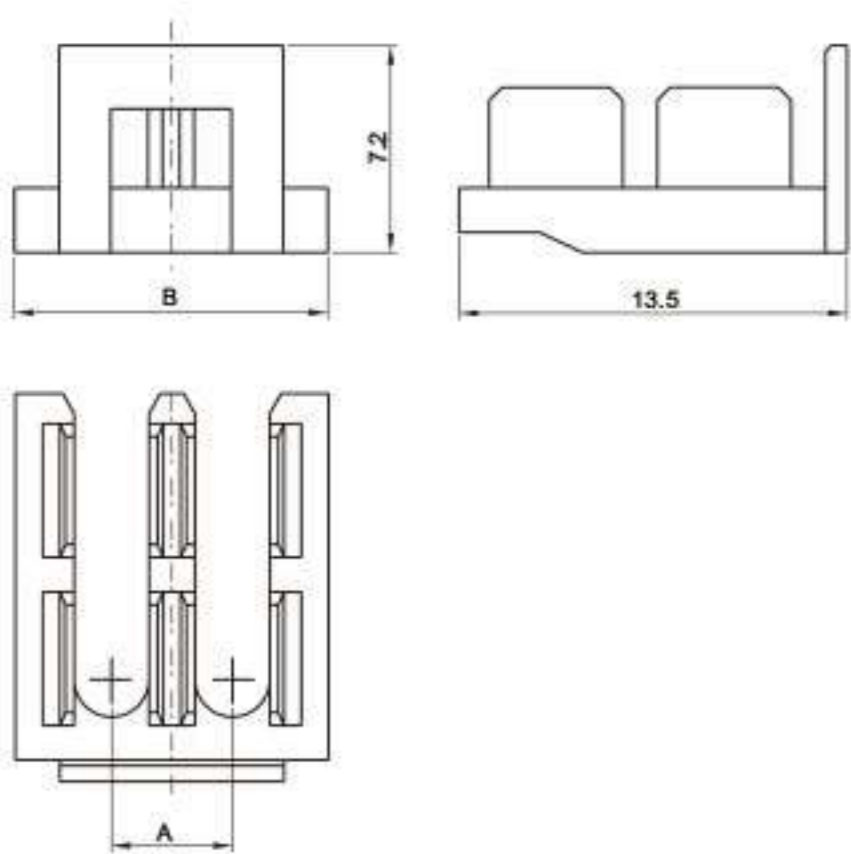
C42002-ANS(RV42-NS) 单排



锁片 TPA

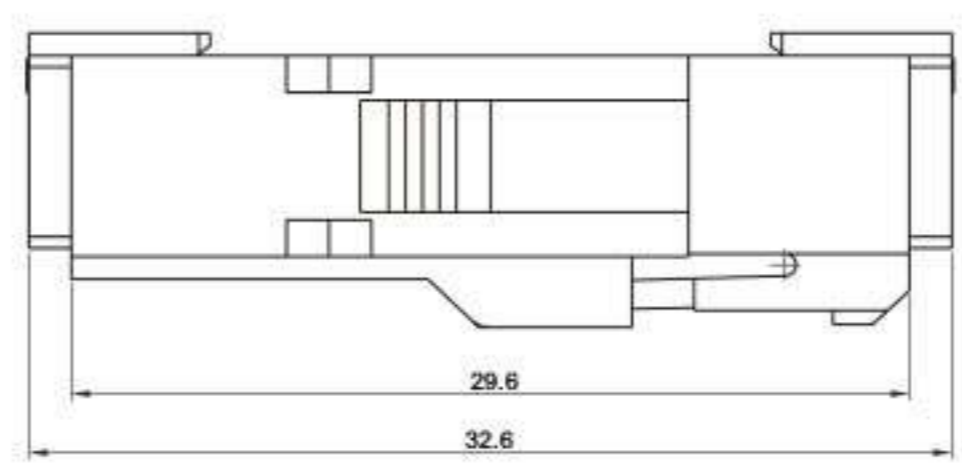
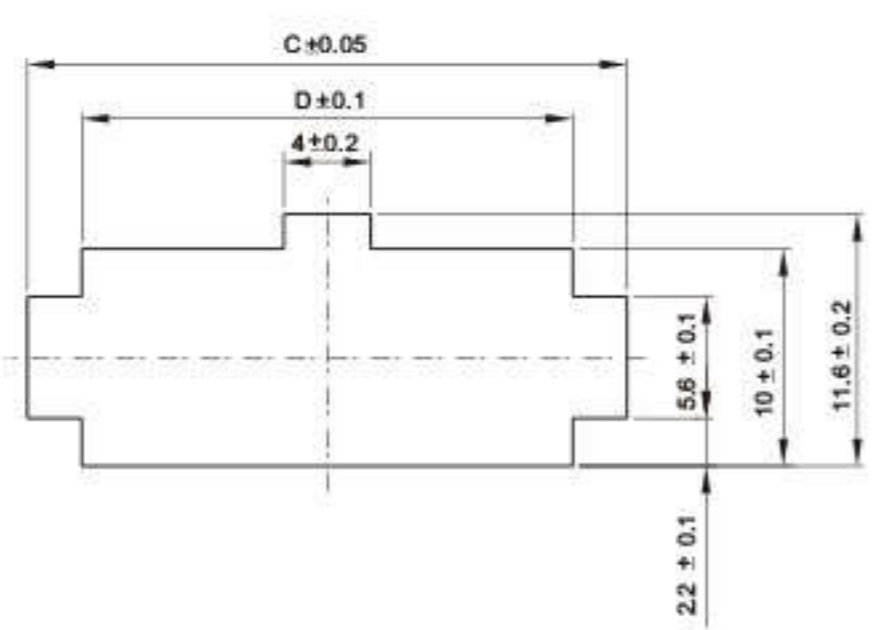
型号 Part No.	材质 Material	包装数量 Q'ty/bag	尺寸 Dimensions(mm)	
			A	B
C42002-A01S	PA66	2K	NA	5.4
C42002-A02S		2K	NA	10.9
C42002-A03S		2K	8.4	15.1

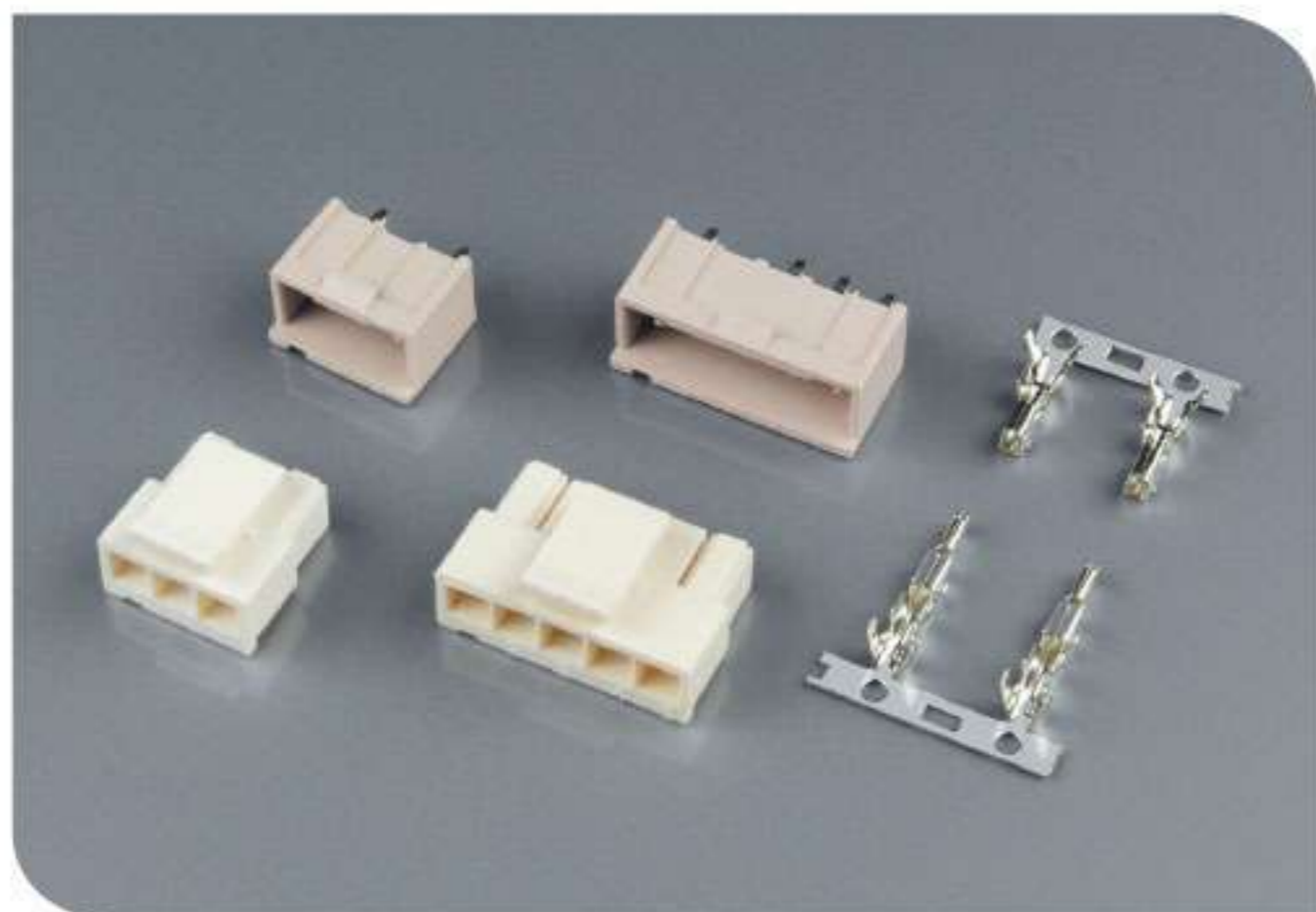
C42002-ANS(RV42-NS) 双排



锁片 TPA

型号 Part No.	材质 Material	包装数量 Q'ty/bag	尺寸 Dimensions(mm)	
			A	B
C42002-A04S	PA66	1K	4.2	10.9



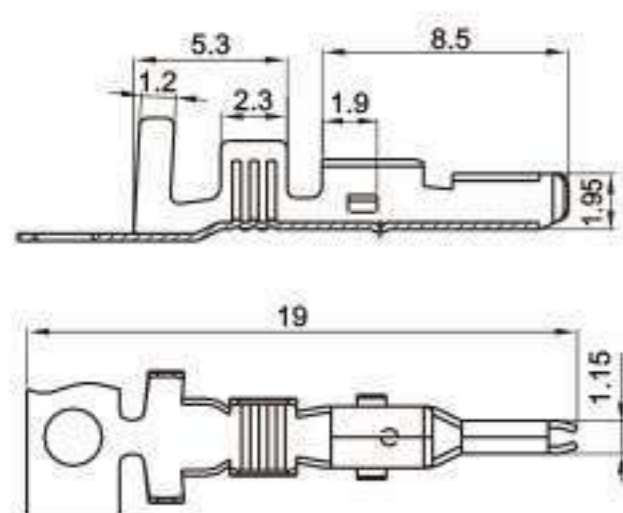


■ 技术参数 SPECIFICATIONS

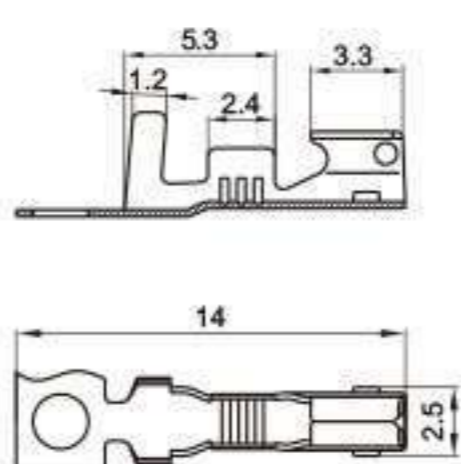
- 线数 Number of positions: 3~7
- 适用线规 Applicable wires: 24~16AWG
- 温度范围 Temperature range: -40°C~105°C
(including temperature rise in applying electrical current)
- 额定电压 Voltage rating: 250V AC, DC Max.
- 额定电流 Current rating: 10A AC, DC Max.
- 接触电阻 Contact resistance: ≤ 10mΩ
- 绝缘电阻 Insulation resistance: ≥ 1000MΩ
- 耐压 Withstanding voltage: 1500V AC/minute

*Compliant with RoHS.

C42002-01RT(RV42-RT 小脚)
C42002-02RT(RV42-RT)



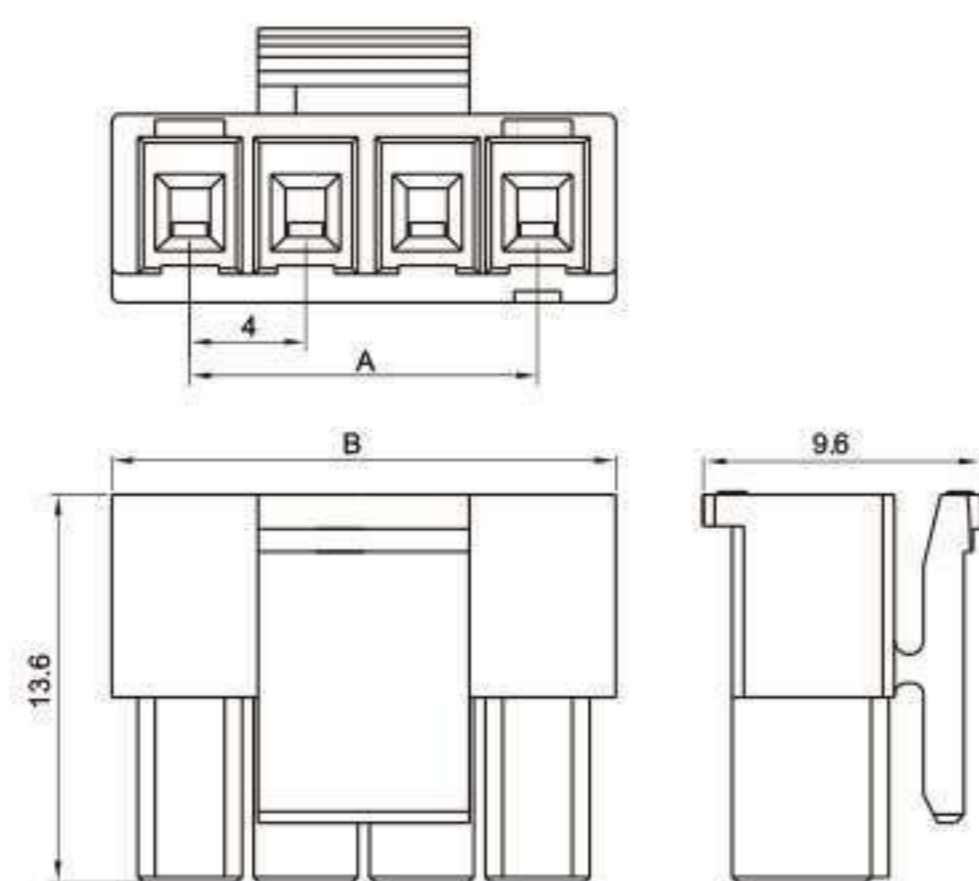
C42002-01PT(RV42-PT 小脚)
C42002-02PT(RV42-PT)



端子 TERMINAL

型号 Part No.	材质 Material	料厚 Thickness	线规 Applicable wires		电线外径 Wire insulation O.D. mm	镀层 Plating	包装数量 Q'ty/reel
			AWG#	线径 mm ²			
C42002-01RT	Phosphor bronze	0.25	20-16	0.5-1.25	1.7-3.5	Tin Plated	3.5K
C42002-02RT	Phosphor bronze	0.25	24-20	0.13-0.5	1.3-1.7	Tin Plated	3.5K
C42002-01PT	Phosphor bronze	0.25	20-16	0.5-1.25	1.7-3.5	Tin Plated	3.5K
C42002-02PT	Phosphor bronze	0.25	24-20	0.13-0.5	1.3-1.7	Tin Plated	3.5K

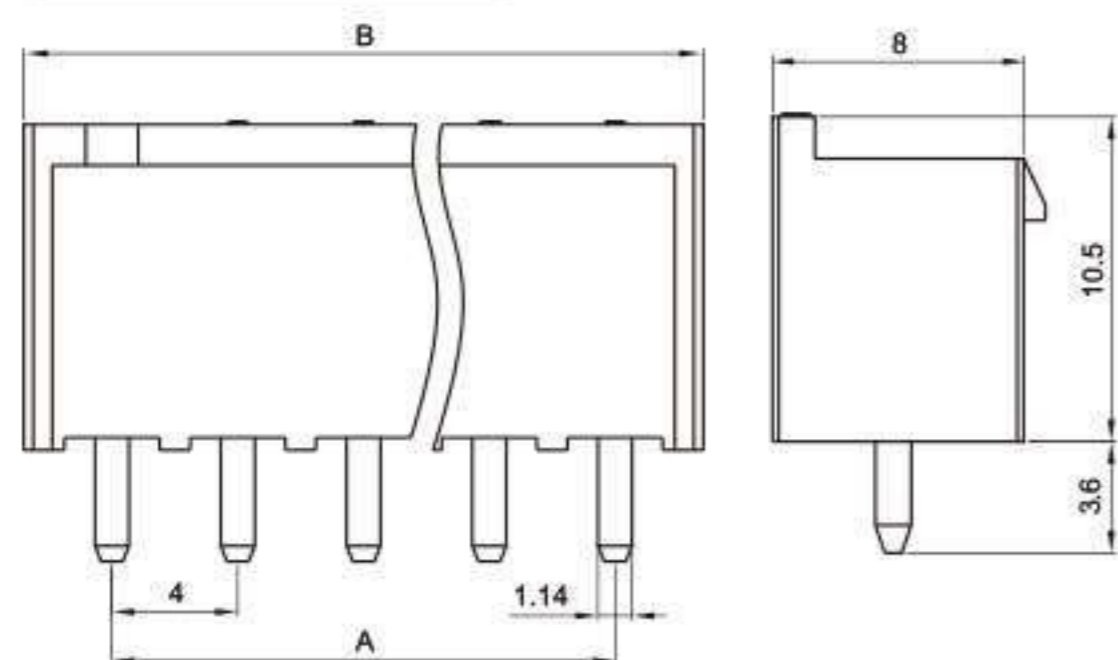
C42002-BNP(SV40-NHG)



公端塑件 PLUG HOUSING

型号 Part No.	材质 Material	包装数量 Q'ty/bag	尺寸 Dimensions(mm)	
			A	B
C42002-B03P	PA66	1K	8.0	13.4
C42002-B04P		1K	12.0	17.4
C42002-B05P		1K	16.0	21.4
C42002-B07P		1K	24.0	29.4

C42002-BNA(SV40-NA)



针座 WAFER

型号 Part No.	材质 Material	包装数量 Q'ty/bag	尺寸 Dimensions(mm)	
			A	B
C42002-B03A	PA66	1K	7.92	13.52
C42002-B04A		1K	11.88	17.48
C42002-B05A		1K	15.84	21.44



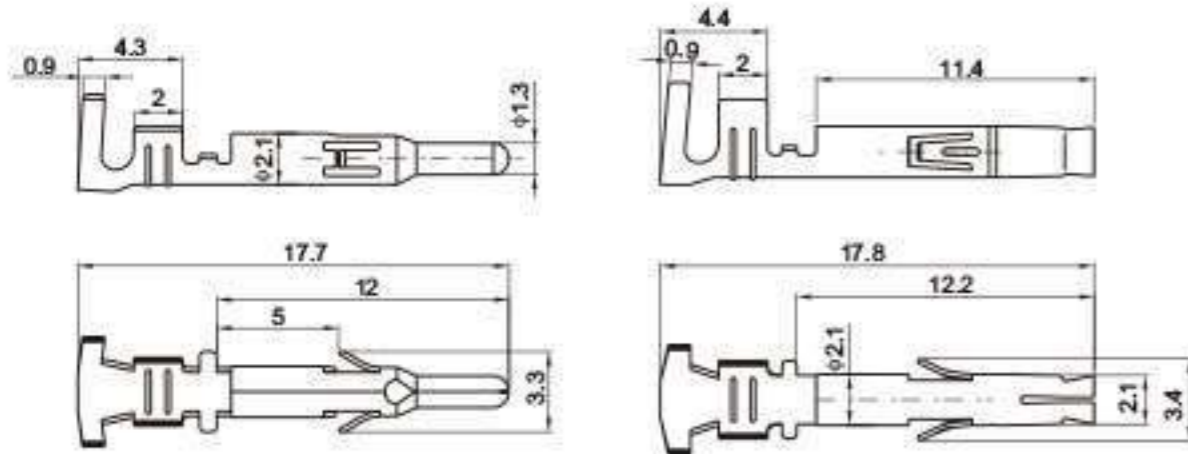
■ 技术参数 SPECIFICATIONS

- 线数 Number of positions: 2~6
- 适用线规 Applicable wires: 20~16AWG
- 温度范围 Temperature range: -40°C~105°C
(including temperature rise in applying electrical current)
- 额定电压 Voltage rating: 250V AC, DC Max.
- 额定电流 Current rating: 6A AC, DC Max.
- 接触电阻 Contact resistance: ≤ 10mΩ
- 绝缘电阻 Insulation resistance: ≥ 1000MΩ
- 耐压 Withstanding voltage: 1500V AC/minute

*Compliant with RoHS.

C45001-02RT(EL-RT)
C45001-03RT(EL-RT-1)

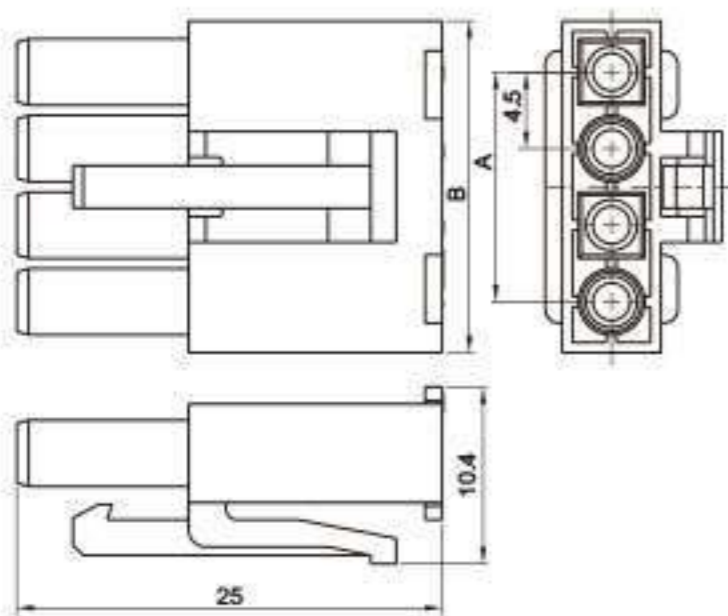
C45001-02PT(EL-PT)
C45001-03PT(EL-PT-1)



端子 TERMINAL

型号 Part No.	材质 Material	料厚 Thickness	线规 Applicable wires		电线外径 Wire insulation O.D. mm	镀层 Plating	包装数量 Q'ty/reel
			AWG#	线径 mm ²			
C45001-02RT	Phosphor bronze	0.2	20-18	0.5-0.75	1.7-2.8	Tin Plated	3.5K
C45001-03RT	Phosphor bronze	0.2	18-16	0.75-1.25	2.0-3.5	Tin Plated	3.5K
C45001-02PT	Phosphor bronze	0.2	20-18	0.5-0.75	1.7-2.8	Tin Plated	3.5K
C45001-03PT	Phosphor bronze	0.2	18-16	0.75-1.25	2.0-3.5	Tin Plated	3.5K

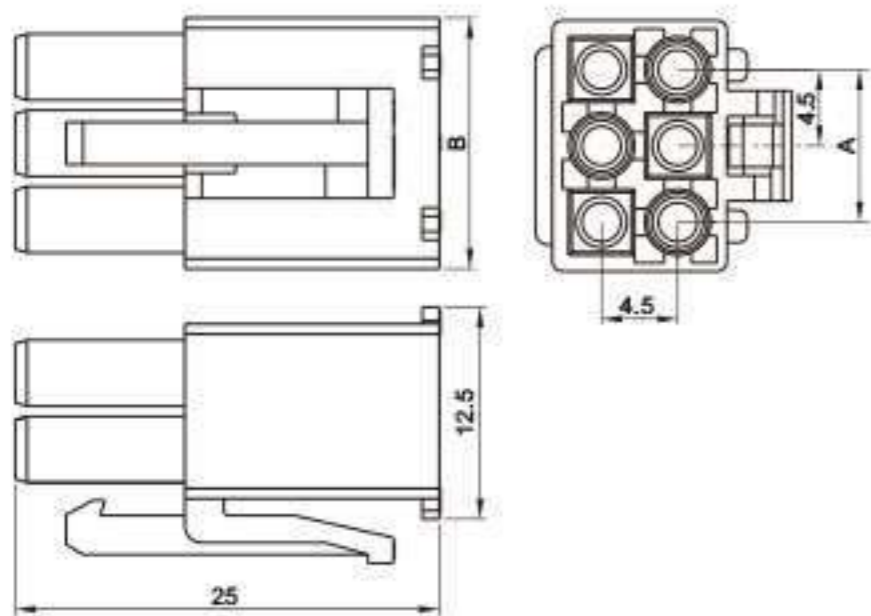
C45001-ANP(EL-NP 单排)



公端塑件 PLUG HOUSING

型号 Part No.	材质 Material	包装数量 Q'ty/bag	尺寸 Dimensions(mm)	
			A	B
C45001-A02P	PA66	1K	4.5	10.5
C45001-A03P		1K	9.0	15.0
C45001-A04P		1K	13.5	19.5

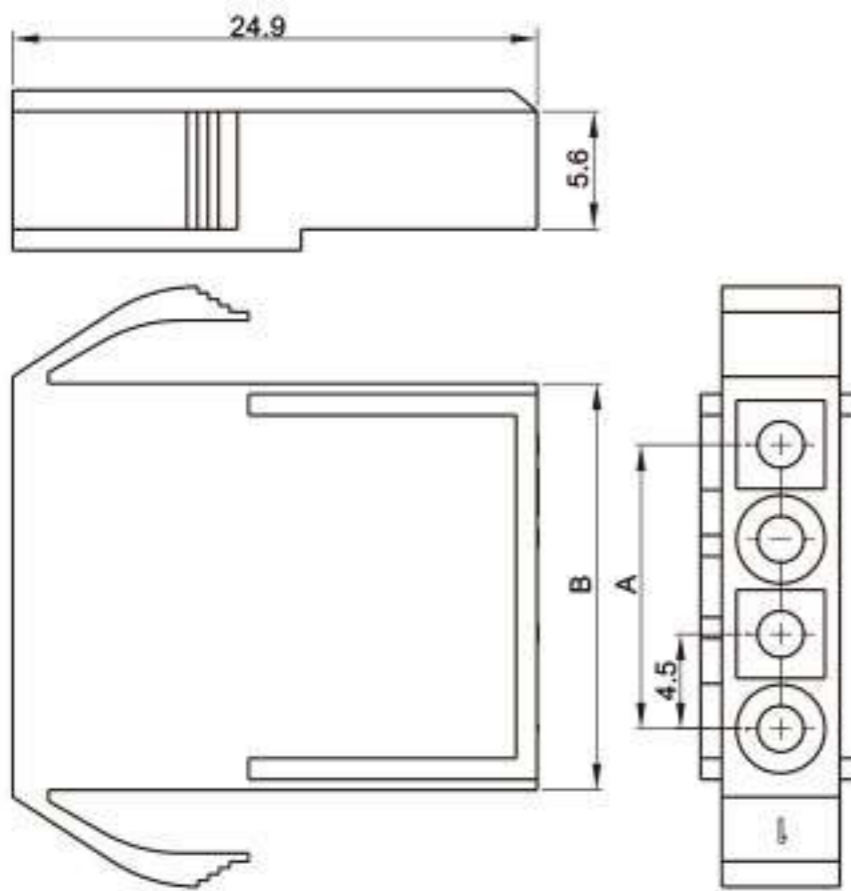
C45001-ANP(EL-NP 双排)



公端塑件 PLUG HOUSING

型号 Part No.	材质 Material	包装数量 Q'ty/bag	尺寸 Dimensions(mm)	
			A	B
C45001-A06P	PA66	1K	9.0	14.8

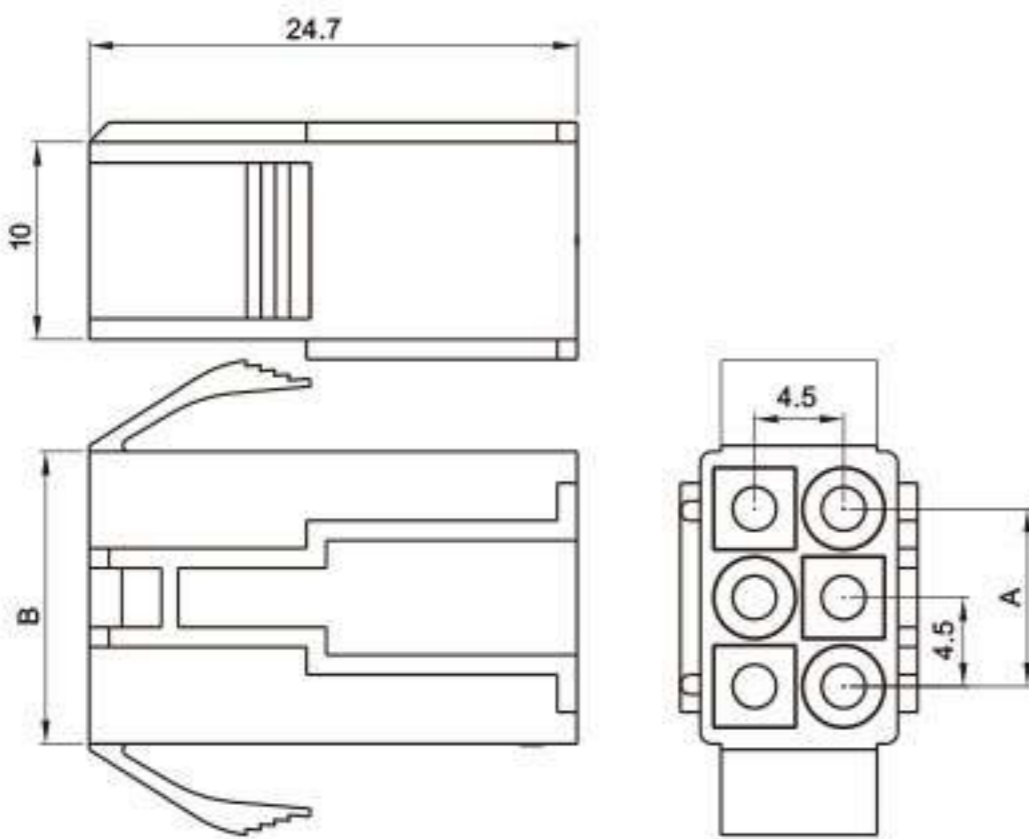
C45001-ANR(EL-NR 单排)



母端塑件 RECEPTACLE

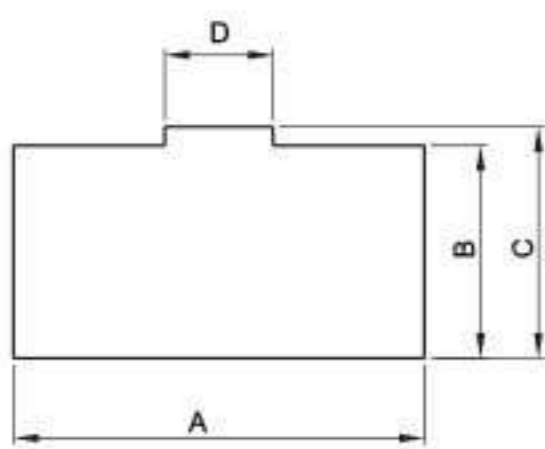
型号 Part No.	材质 Material	包装数量 Q'ty/bag	尺寸 Dimensions(mm)	
			A	B
C45001-A02R C45001-A02RF	PA66	1K	4.5	10.3
C45001-A03R C45001-A03RF		1K	9.0	14.8
C45001-A04R C45001-A04RF		1K	13.5	19.3

C45001-ANR(EL-NR 双排)



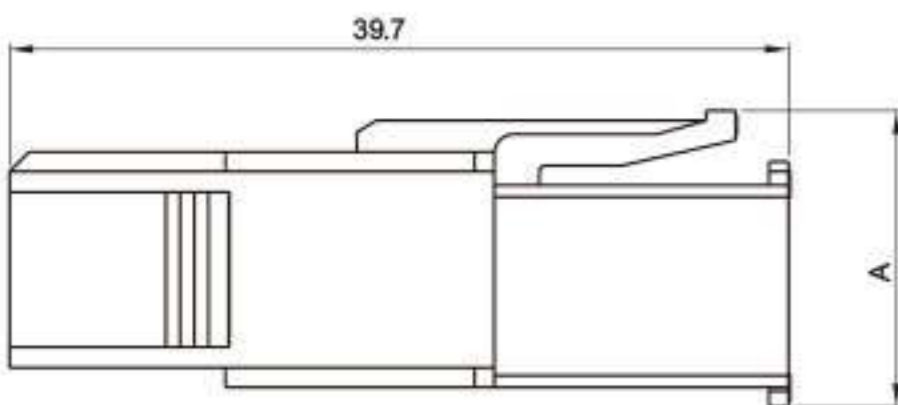
母端塑件 RECEPTACLE

型号 Part No.	材质 Material	包装数量 Q'ty/bag	尺寸 Dimensions(mm)	
			A	B
C45001-A06R	PA66	1K	9.0	14.8

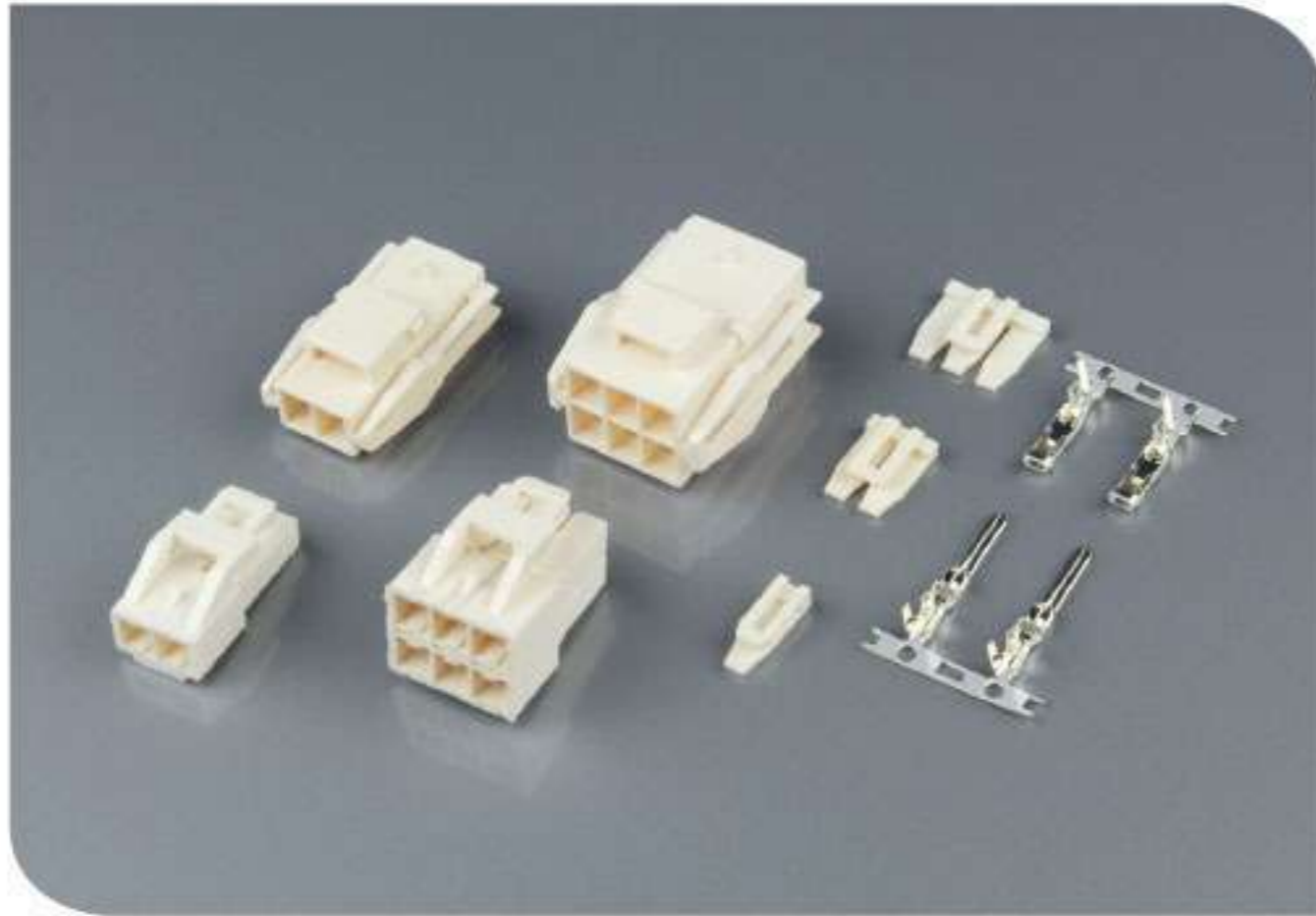


母端塑件 RECEPTACLE

型号 Part No.	材质 Material	包装数量 Q'ty/bag	尺寸 Dimensions(mm)			
			A	B	C	D
C45001-A02R	PA66	1K	15.0	6.0	6.85	5.2
C45001-A03R		1K	19.7	6.0	6.85	5.2
C45001-A04R(单排)		1K	24.2	6.0	6.85	5.2
C45001-A04R(双排)		1K	15.6	10.6	11.6	5.2
C45001-A06R		1K	19.7	10.2	11.1	5.2



孔数	A
2~4 孔(单排)	10.5
4 孔(双排)	15.1
6 孔(双排)	15.1
9~15 孔(三排)	19.5

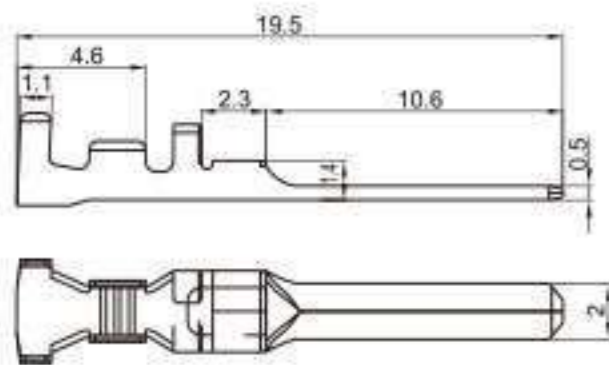


■ 技术参数 SPECIFICATIONS

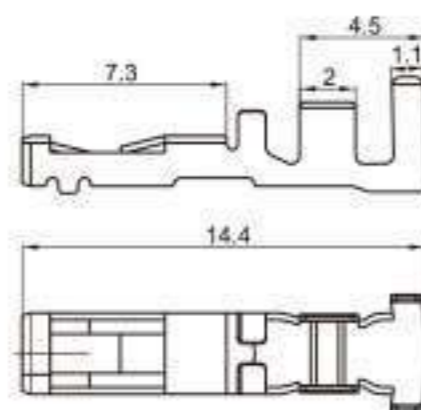
- 线数 Number of positions: 2~9
- 适用线规 Applicable wires: 26~22AWG
- 温度范围 Temperature range: -40°C~105°C
(including temperature rise in applying electrical current)
- 额定电压 Voltage rating: 250V AC, DC Max.
- 额定电流 Current rating: 10A AC, DC Max.
- 接触电阻 Contact resistance: ≤ 10mΩ
- 绝缘电阻 Insulation resistance: ≥ 1000MΩ
- 耐压 Withstanding voltage: 1500V AC/minute

*Compliant with RoHS.

C42002-NRT(YL-RT)



C42002-NPT(YL-PT)



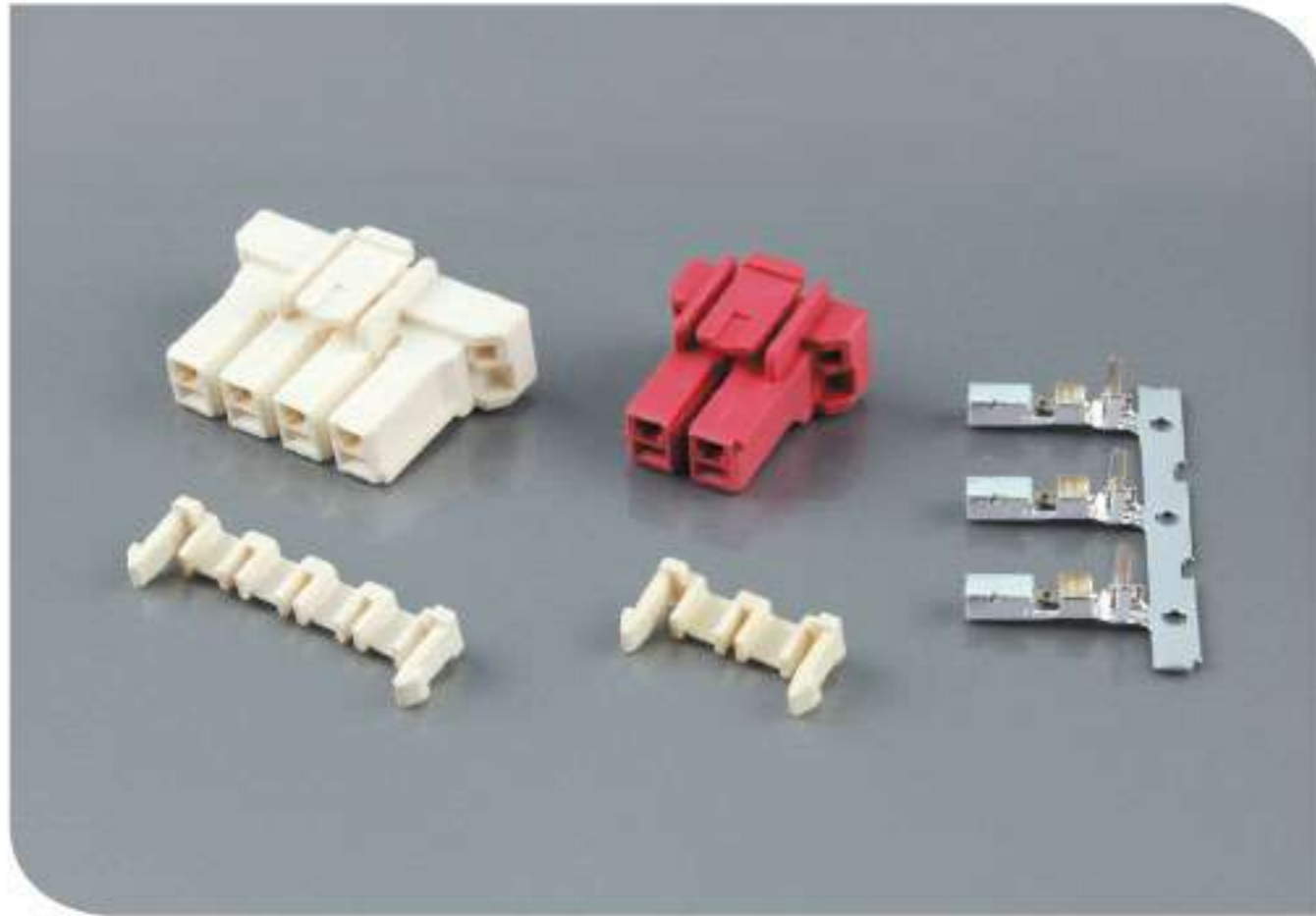
端子 TERMINAL

型号 Part No.	材质 Material	料厚 Thickness	线规 Applicable wires		电线外径 Wire insulation O.D. mm	镀层 Plating	包装数量 Q'ty/reel
			AWG#	线径 mm ²			
C42002-01RT	Phosphor bronze	0.2	26-20	0.13-0.5	1.3-2.6	Tin Plated	3.5K
C42002-01PT	Phosphor bronze	0.2	26-20	0.13-0.5	1.3-2.6	Tin Plated	3.5K
C42002-02RT	Phosphor bronze	0.2	22-18	0.33-0.75	1.7-2.8	Tin Plated	3.5K
C42002-02PT	Phosphor bronze	0.2	22-18	0.33-0.75	1.7-2.8	Tin Plated	3.5K

孔位数 CIRCUITS	公端塑件 PLUG HOUSING	母端塑件 RECEPTACLE	锁片 TPA
1	<p>C45002-A01P(YL-1P)</p>	<p>C45002-A01RF(YL-1RF)</p>	<p>C45002-A01S(YL-1S)</p>
2	<p>C45002-A02P(YL-2P)</p>	<p>C45002-A02R(YL-2R)</p>	<p>C45002-A02S(YL-2S)</p>
		<p>C45002-A02RF(YL-2RF)</p>	

孔位数 CIRCUITS	公端塑件 PLUG HOUSING	母端塑件 RECEPTACLE	锁片 TPA
3	<p>C45002-A03P(YL-3P)</p>	<p>C45002-A03R(YL-3R)</p>	<p>C45002-A03S(YL-3S)</p>
		<p>C45002-A03RF(YL-3RF)</p>	
4	<p>C45002-A04P(YL-4P)</p>	<p>C45002-A04R(YL-4R)</p>	<p>C45002-A02S(YL-2S)</p>
		<p>C45002-A04RF(YL-4RF)</p>	
6	<p>C45002-A06P(YL-6P)</p>	<p>C45002-A06R(YL-6R)</p>	<p>C45002-A03S(YL-3S)</p>
		<p>C45002-A06RF(YL-6RF)</p>	

孔位数 CIRCUITS	公端塑件 PLUG HOUSING	母端塑件 RECEPTACLE	锁片 TPA
8	<p style="text-align: center;">C45002-A08P(YL-8P)</p>		
9	<p style="text-align: center;">C45002-A09P(YL-9P)</p>	<p style="text-align: center;">C45002-A09R(YL-9R)</p>	

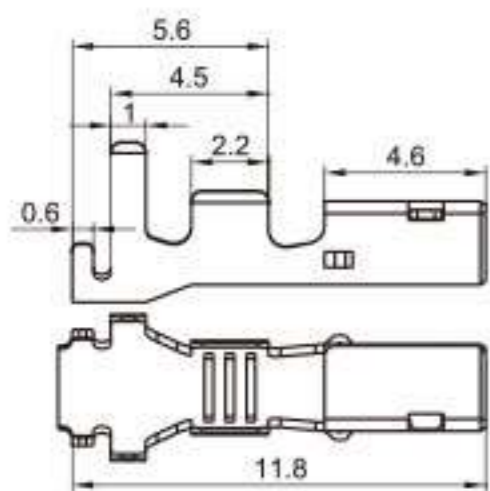


■ 技术参数 SPECIFICATIONS

- 线数 Number of positions: 2~6
- 适用线规 Applicable wires: 26~22AWG
- 温度范围 Temperature range: -40°C~105°C
(including temperature rise in applying electrical current)
- 额定电压 Voltage rating: 250V AC, DC Max.
- 额定电流 Current rating: 10A AC, DC Max.
- 接触电阻 Contact resistance: $\leq 10\text{m}\Omega$
- 绝缘电阻 Insulation resistance: $\geq 1000\text{M}\Omega$
- 耐压 Withstanding voltage: 1500V AC/minute

*Compliant with RoHS.

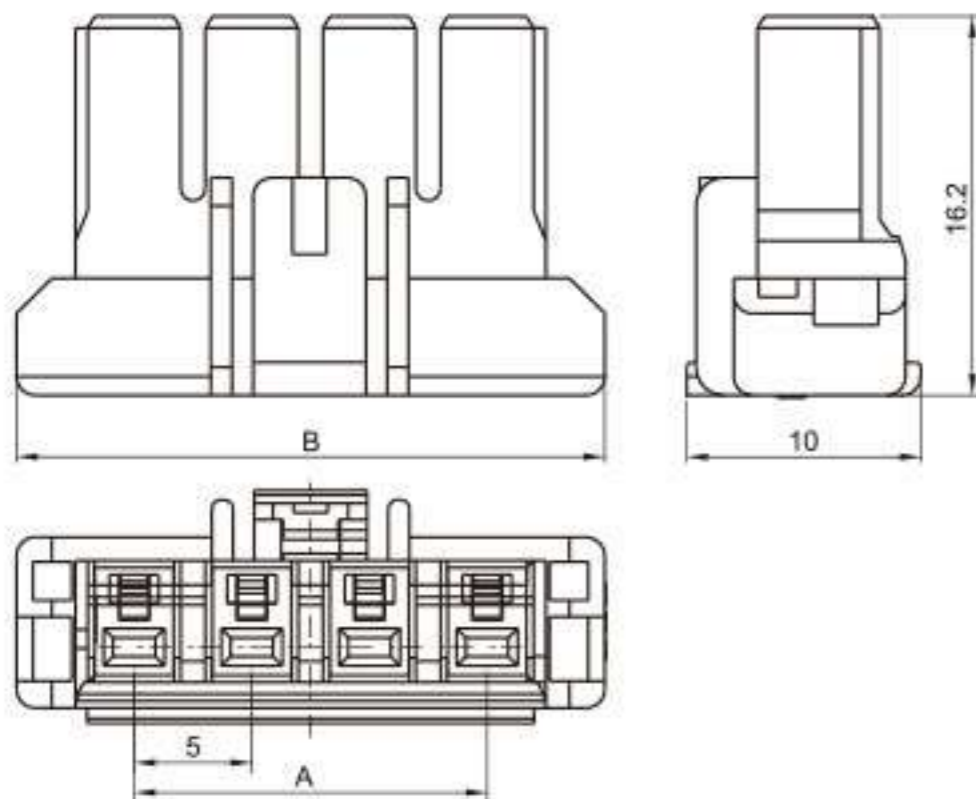
C50001-02RT(1376347-1)



端子 TERMINAL

型号 Part No.	材质 Material	料厚 Thickness	线规 Applicable wires		电线外径 Wire insulation O.D. mm	镀层 Plating	包装数量 Q'ty/reel
			AWG#	线径 mm ²			
C50001-02PT	Phosphor bronze	0.25	20-16	0.5-1.25	1.7-2.8	Tin Plated	3K
C50001-01PT	Phosphor bronze	0.25	24-20	0.22-0.5	2.1-2.6	Tin Plated	3K

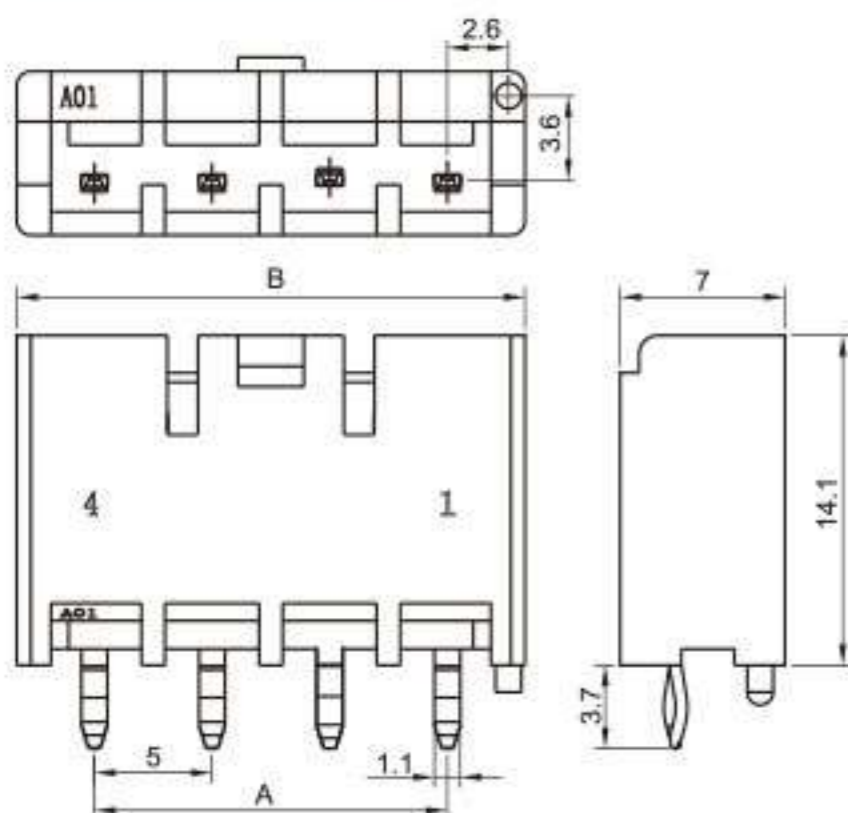
C50001-ANP



公端塑件 PLUG HOUSING

型号 Part No.	材质 Material	包装数量 Q'ty/bag	尺寸 Dimensions(mm)	
			A	B
C50001-A02P	PA66	1K	5.0	15.0
C50001-A03P		1K	10.0	20.0
C50001-A04P		1K	15.0	25.0
C50001-A06P		1K	25.0	35.0

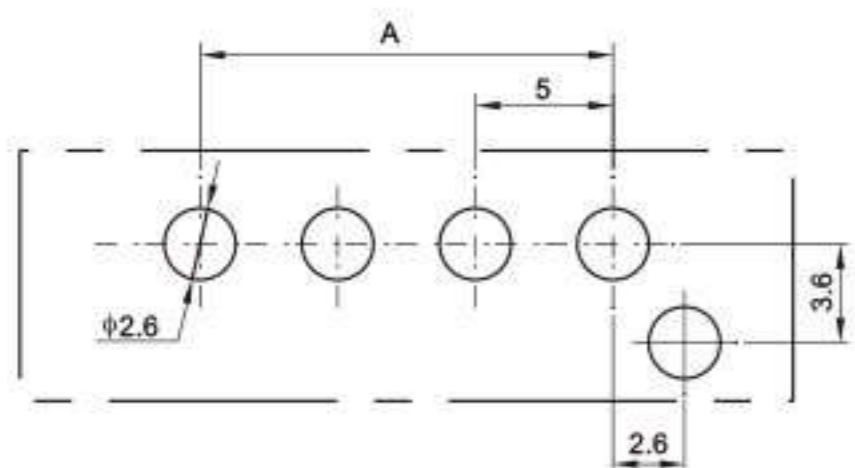
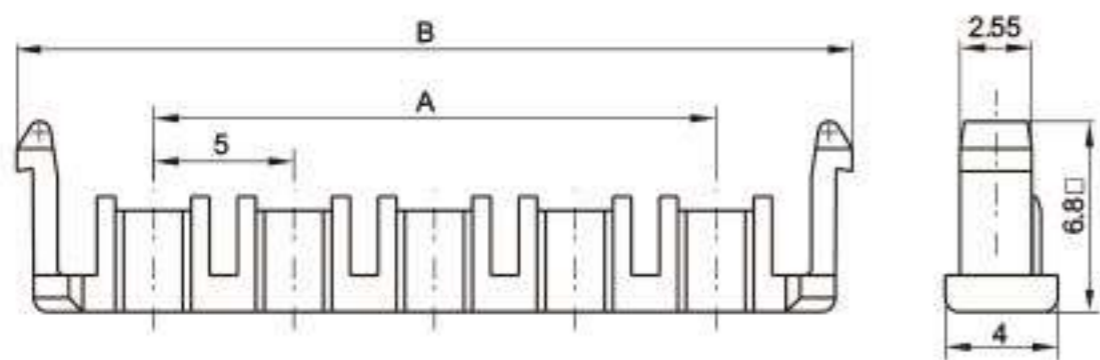
C50001-ANAD



针座 WAFER

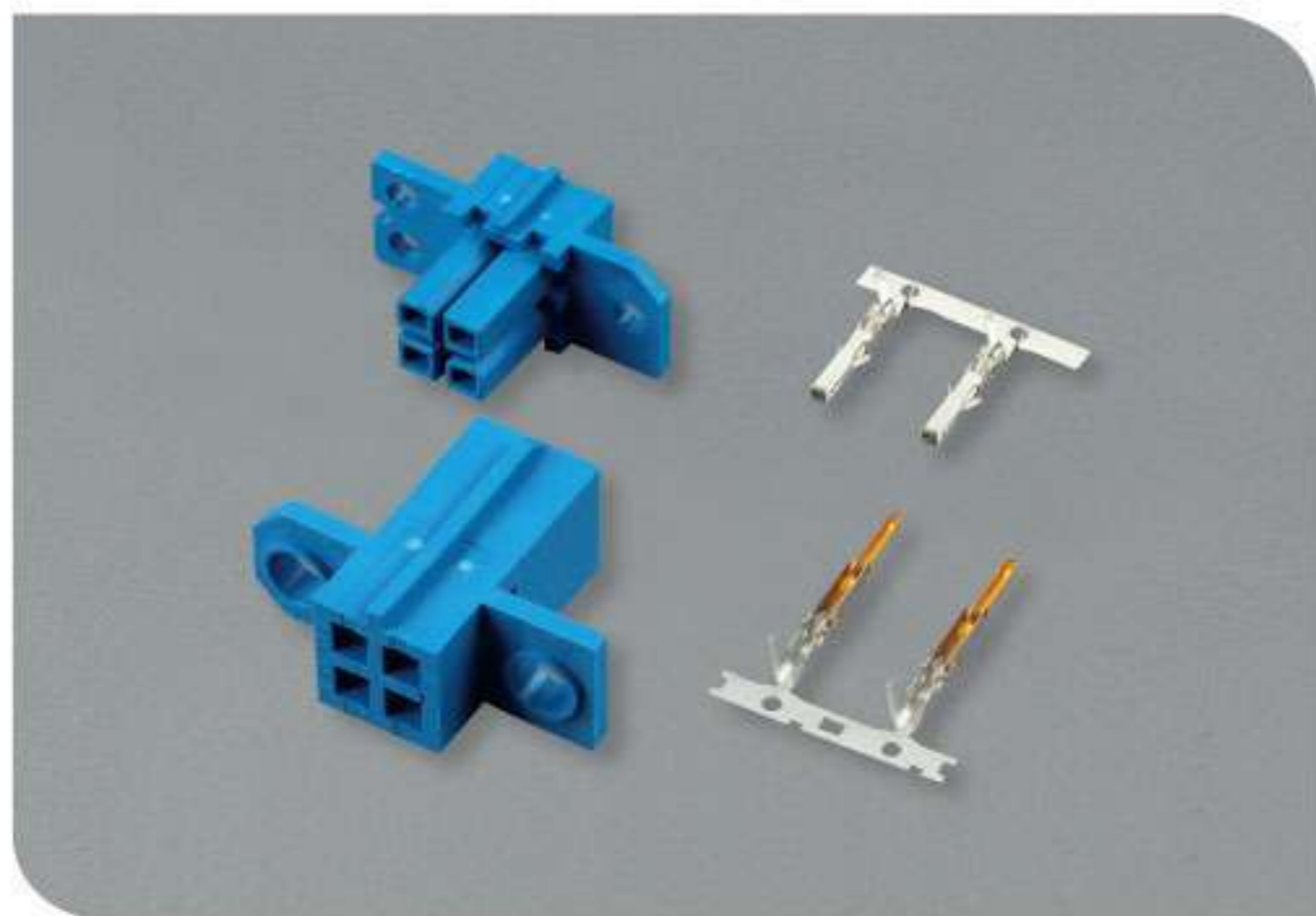
型号 Part No.	材质 Material	包装数量 Q'ty/bag	尺寸 Dimensions(mm)	
			A	B
C50001-A03AD	PA66	0.5K	10.0	16.6
C50001-A04AD		0.5K	15.0	21.6

C50001-ANS



锁片 TPA

型号 Part No.	材质 Material	包装数量 Q'ty/bag	尺寸 Dimensions(mm)	
			A	B
C50001-A02S	PA66	2K	5.0	14.6
C50001-A03S		2K	10.0	20.0
C50001-A04S		1K	15.0	25.0
C50001-A06S		1K	25.0	35.0



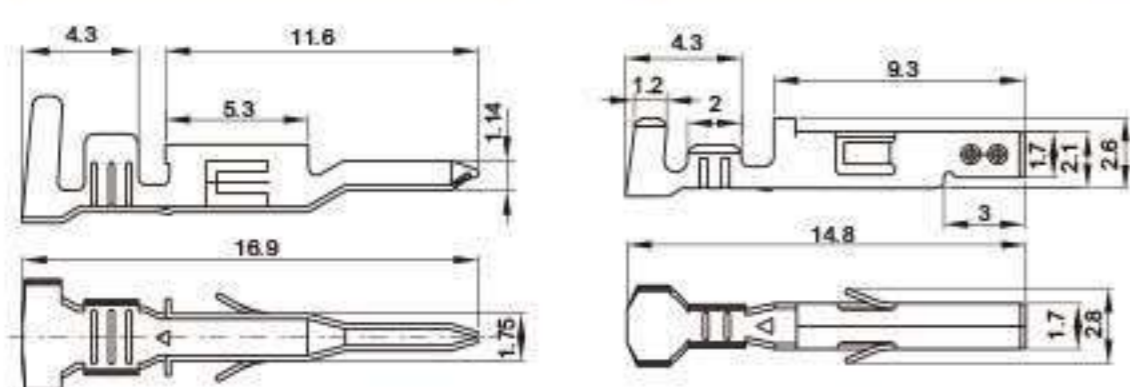
■ 技术参数 SPECIFICATIONS

- 线数 Number of positions: 4
- 适用线规 Applicable wires: 22~16AWG
- 温度范围 Temperature range: -40°C~105°C
(including temperature rise in applying electrical current)
- 额定电压 Voltage rating: 220V AC, DC Max.
- 额定电流 Current rating: 6A AC, DC Max.
- 接触电阻 Contact resistance: $\leq 10\text{m}\Omega$
- 绝缘电阻 Insulation resistance: $\geq 1000\text{M}\Omega$
- 耐压 Withstanding voltage: 2200V AC/minute

*Compliant with RoHS.

C42001-**-RT(5558-RT)

C42001-**-PT(5556-PT)

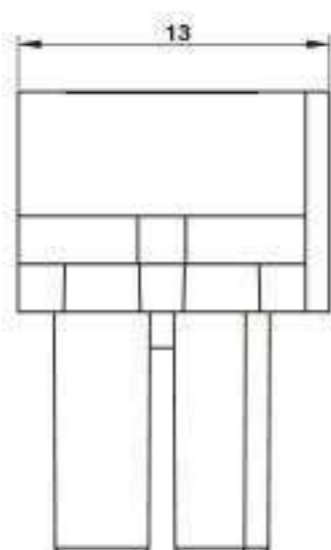
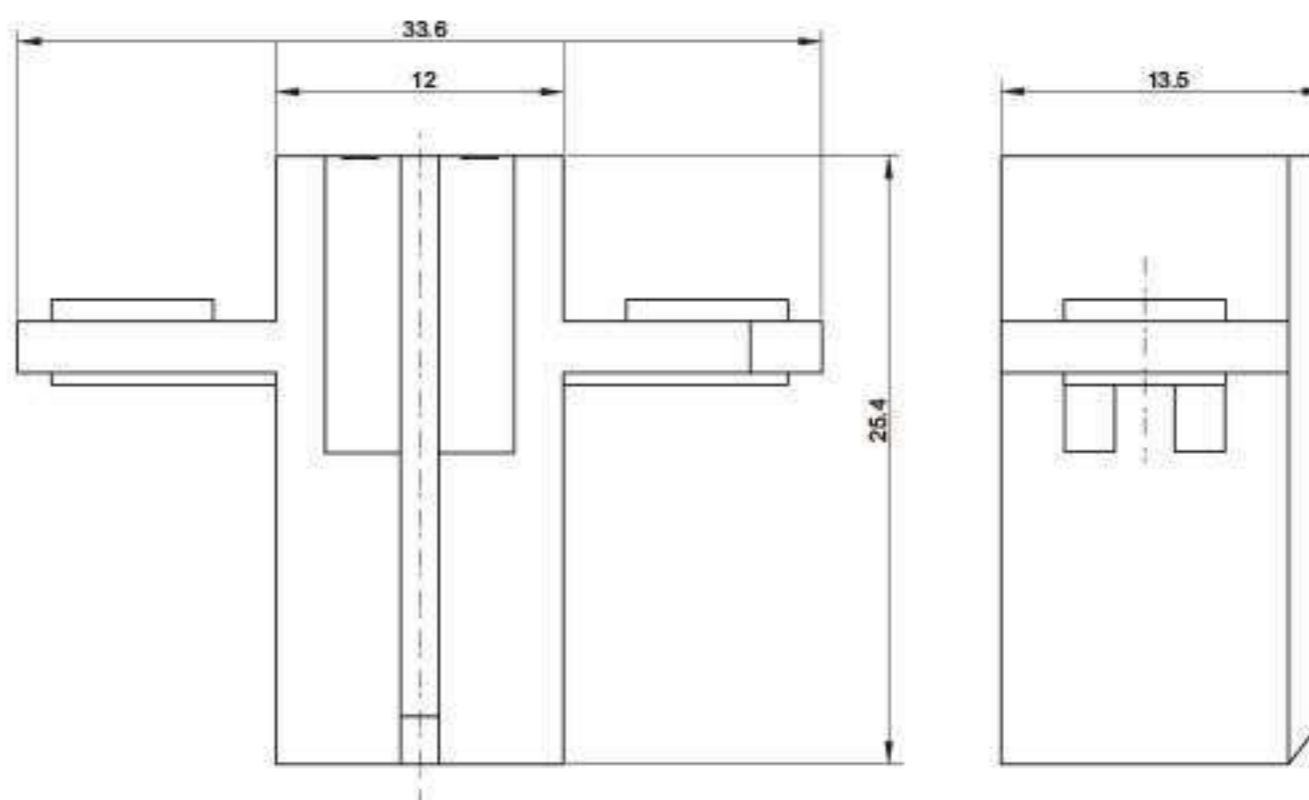
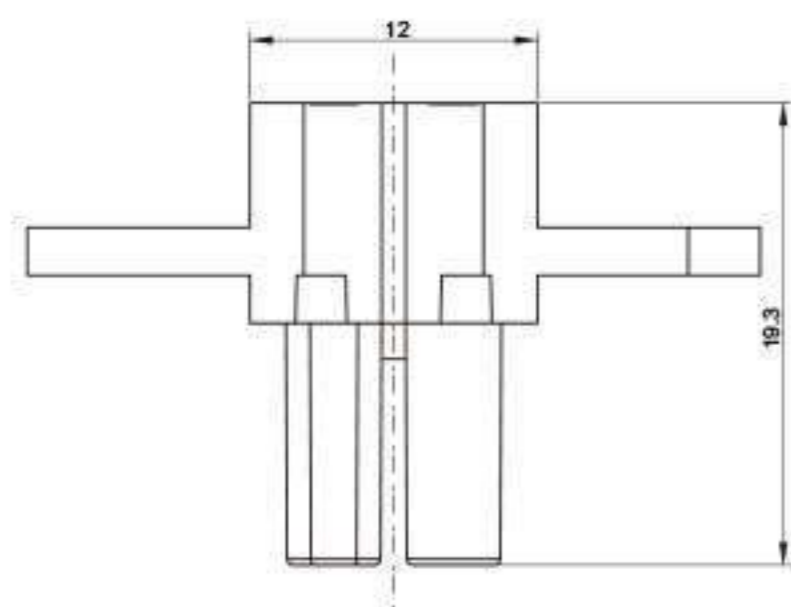
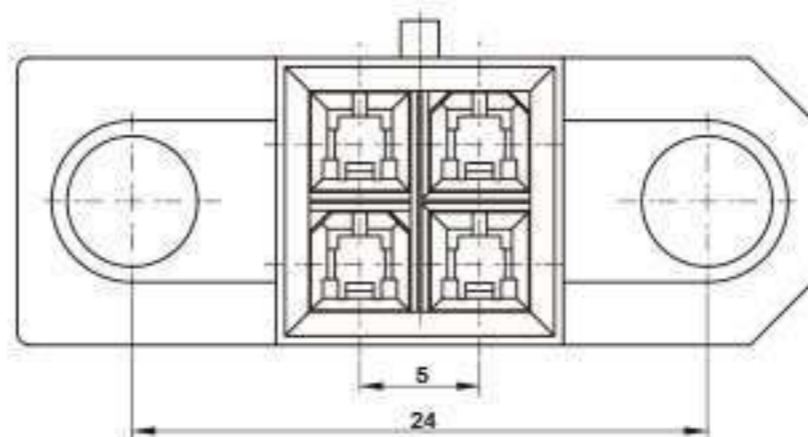
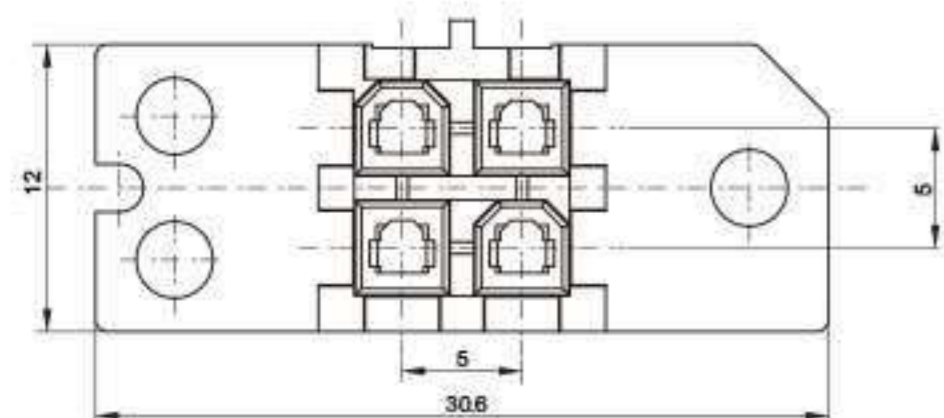


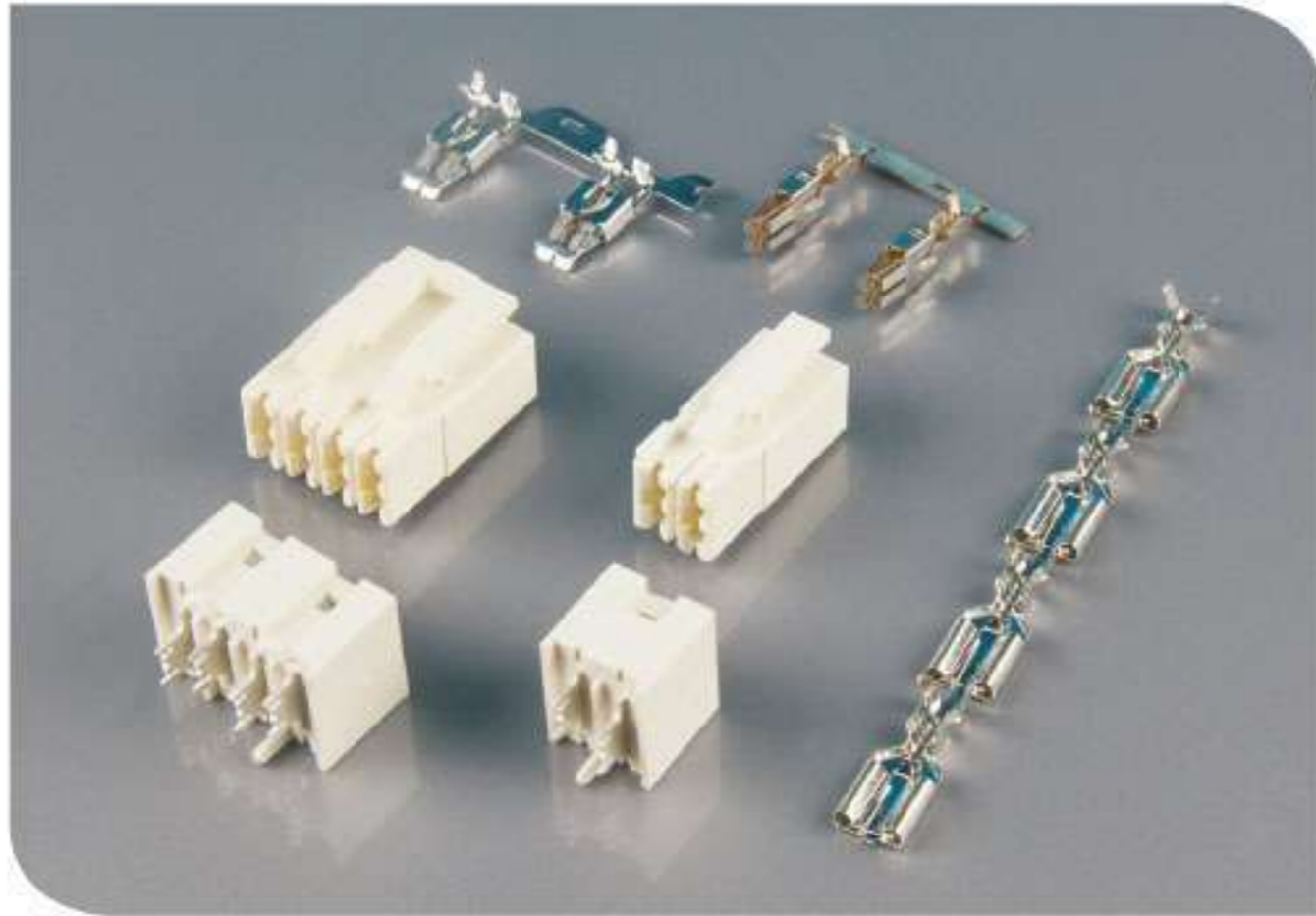
端子 TERMINAL

型号 Part No.	材质 Material	料厚 Thickness	线规 Applicable wires		电线外径 Wire insulation O.D. mm	镀层 Plating	包装数量 Q'ty/reel
			AWG#	线径 mm ²			
C42001-01PT	Phosphor bronze	0.2	26-24	0.13-0.22	1.5-1.7	Tin Plated	5K
C42001-02PT	Phosphor bronze	0.2	22-18	0.33-0.75	1.7-2.8	Tin Plated	5K
C42001-03PT	Phosphor bronze	0.2	18-16	0.75-1.25	2.0-3.5	Tin Plated	5K
C42001-01RT	Phosphor bronze	0.2	26-24	0.13-0.22	1.5-1.7	Tin Plated	5K
C42001-02RT	Phosphor bronze	0.2	22-18	0.33-0.75	1.7-2.8	Tin Plated	5K
C42001-03RT	Phosphor bronze	0.2	18-16	0.75-1.25	2.0-3.5	Tin Plated	5K

C50002-ANP(501609-0404)

C50002-ANR(501608-0404)





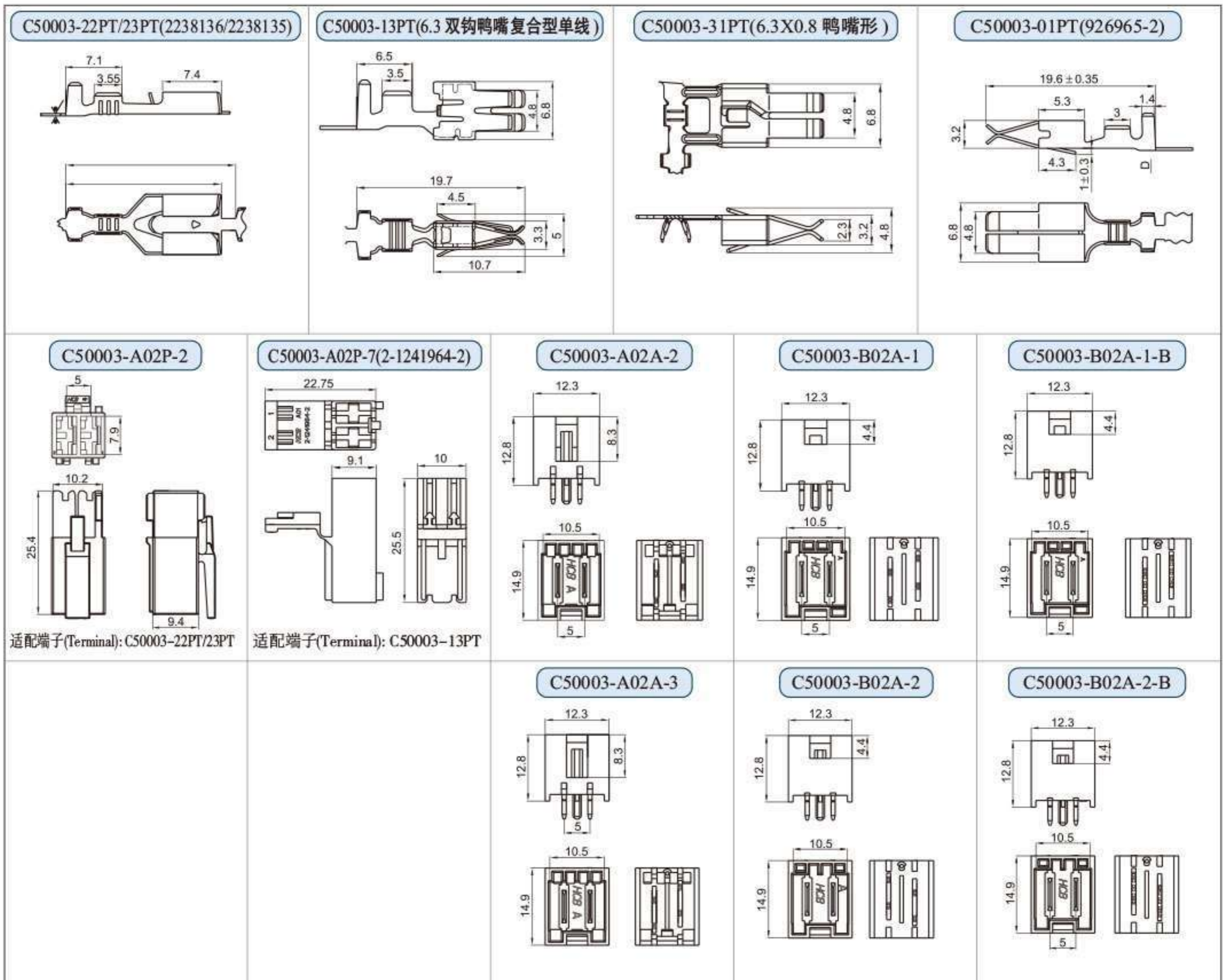
■ 技术参数 SPECIFICATIONS

- 线数 Number of positions: 2~10
- 适用线规 Applicable wires: 22~16AWG
- 温度范围 Temperature range: -40°C~105°C
(including temperature rise in applying electrical current)
- 额定电压 Voltage rating: 250V AC, DC Max.
- 额定电流 Current rating: 20A AC, DC Max.
- 接触电阻 Contact resistance: $\leq 10\text{m}\Omega$
- 绝缘电阻 Insulation resistance: $\geq 1000\text{M}\Omega$
- 耐压 Withstanding voltage: 2000V AC/minute

*Compliant with RoHS.

端子 TERMINAL

型号 Part No.	材质 Material	料厚 Thickness	线规 Applicable wires		电线外径 Wire insulation O.D. mm	镀层 Plating	包装数量 Q'ty/reel
			AWG#	线径 mm ²			
C50003-13PT	Phosphor bronze	0.3	20-18	0.5-1.25	1.7-2.8	Tin Plated	1.5K
C50003-03PT	Phosphor bronze	0.3	20-18	0.5-1.25	1.7-2.8	Tin Plated	1.5K



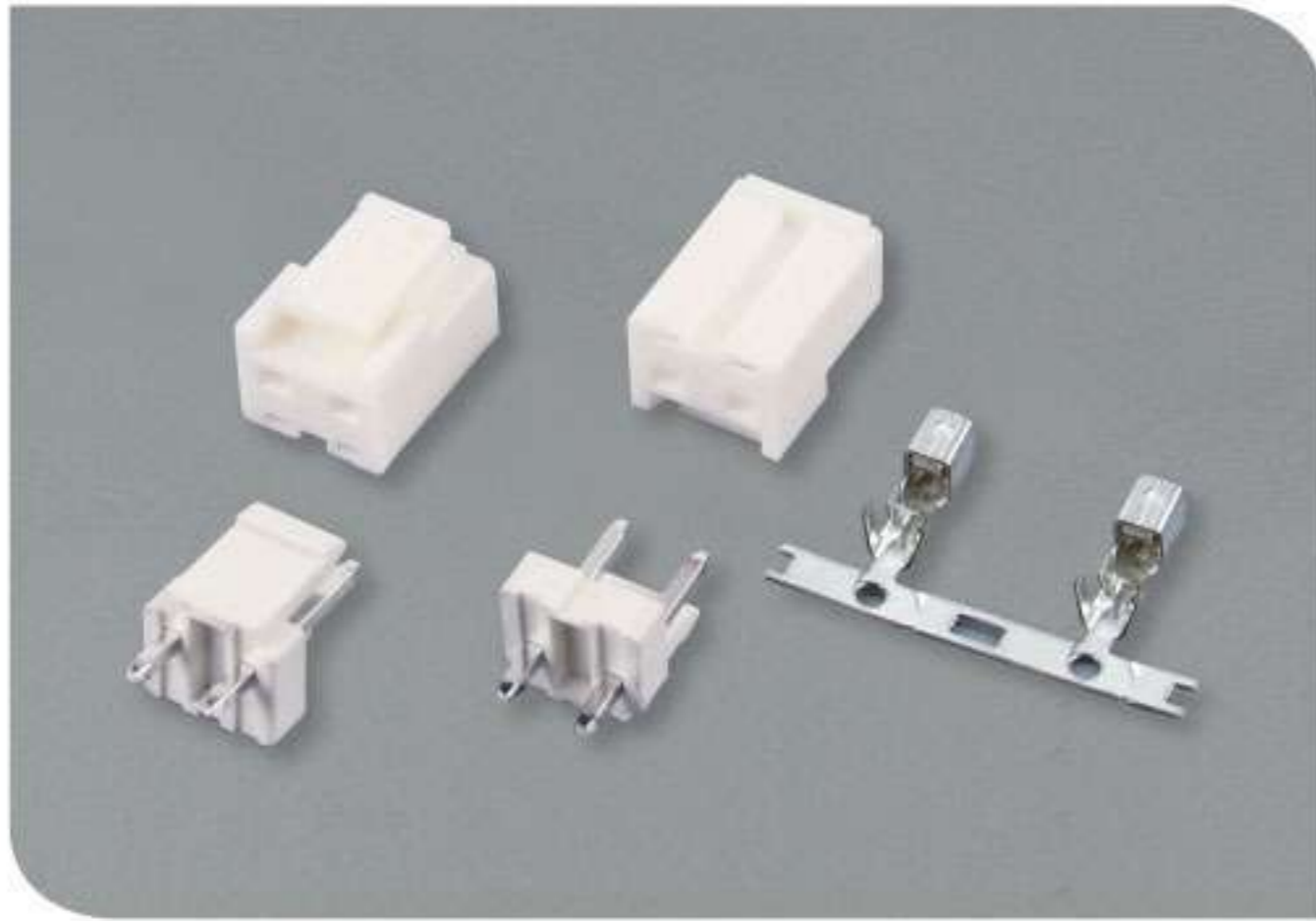
		<p style="text-align: center;">C50003-B02A-3</p>	
<p style="text-align: center;">C50003-A02P-2</p> <p>适配端子(Terminal): C50003-22PT/23PT</p>		<p style="text-align: center;">C50003-B02A-4</p>	<p style="text-align: center;">C50003-B02A-4-B</p>
<p style="text-align: center;">C50003-A02P-3</p> <p>适配端子(Terminal): C50003-22PT/23PT</p>		<p style="text-align: center;">C50003-B02A-5</p>	<p style="text-align: center;">C50003-B02A-5-B</p>

<p>C50003-A04P-3</p> <p>适配端子(Terminal): C50003-22PT/23PT</p>	<p>C50003-C04A-3</p>	<p>C50003-C04A-3-B</p>
<p>C50003-A04P-2</p> <p>适配端子(Terminal): C50003-22PT/23PT</p>	<p>C50003-C04A-4</p>	<p>C50003-C04A-4-B</p>
<p>C50003-A04P-8(A-1241964-4)</p>	<p>C50003-C04A-2</p>	<p>C50003-C04A-2-B</p>
<p>适配端子(Terminal): C50003-22PT/23PT</p>	<p>C50003-B04A-3</p>	<p>C50003-B04A-3</p>

	<p style="text-align: center;">C50003-A05A-1</p>	<p style="text-align: center;">C50003-B04A-3</p>
<p style="text-align: center;">C50003-A02P-9(C-1241964-2)</p> <p>塑件适配: C50003-B02A-1 C50003-B02A-2-B C50003-A02A-1 C50003-B02A-3 C50003-A02A-3</p> <p>适配端子(Terminal): C50003-22PT/23PT</p>	<p style="text-align: center;">C50003-A02P-8(6-928427-2)</p>	<p style="text-align: center;">C50003-A02P-5(50016HS-3 带盖)</p> <p>塑件适配: C50003-A02A-3</p> <p>适配端子(Terminal): C50003-13PT</p>
<p style="text-align: center;">C50003-A02P-6(50016HS-3)</p> <p>塑件适配: C50003-A02A-3</p> <p>适配端子(Terminal): C50003-13PT</p>	<p style="text-align: center;">C50003-A02P-11(5-1241965-2)</p> <p>塑件适配: C50003-A02A-2</p> <p>适配端子(Terminal): C50003-13PT</p>	

<p>C50003-A02P-10(4-1241961-3)</p> <p>适配端子(Terminal): C50003-13PT</p>	<p>C50003-A02P-4(50016HS-4)</p> <p>适配端子(Terminal): C50003-31PT</p>	<p>C50003-A02S-4(50016HS-4 盖子)</p>	<p>C50003-A02A-1</p>
<p>C50003-A02P-9(C-1241964-2)</p> <p>塑件适配: C50003-B02A-1 C50003-B02A-2-B C50003-A02A-1 C50003-B02A-3 C50003-A02A-3</p> <p>适配端子(Terminal): C50003-22PT/23PT</p>	<p>C50003-A02P-8(6-928427-2)</p> <p>适配端子(Terminal): C50003-13PT</p>	<p>C50003-A02P-5(50016HS-3 带盖)</p> <p>塑件适配: C50003-A02A-3</p> <p>适配端子(Terminal): C50003-13PT</p>	
<p>C50003-A02P-6(50016HS-3)</p> <p>塑件适配: C50003-A02A-3</p> <p>适配端子(Terminal): C50003-13PT</p>	<p>C50003-A02P-11(5-1241965-2)</p> <p>塑件适配: C50003-A02A-2</p> <p>适配端子(Terminal): C50003-13PT</p>		

<p>C50003-A03P-7(1-1241961-7)</p> <p>适配端子(Terminal): C50003-13PT</p>	<p>C50003-B03P(928247-3S 塑件)</p> <p>适配端子(Terminal): C50003-01PT</p>	<p>C50003-B03S(928247-3S 锁片)</p>
<p>C50003-A04P-8(A-1241964-4)</p> <p>塑件适配: C50003-B04A-3</p> <p>适配端子(Terminal): C50003-22PT/23PT</p>	<p>C50003-A04P-7(0-1241964-4)</p> <p>塑件适配: C50003-B04A-3</p> <p>适配端子(Terminal): C50003-13PT</p>	<p>C50003-A08P-2(HCX6.3-A08P)</p> <p>适配端子(Terminal): C50003-13PT</p>
<p>C50003-A10P(6.3 单排十孔)</p>		

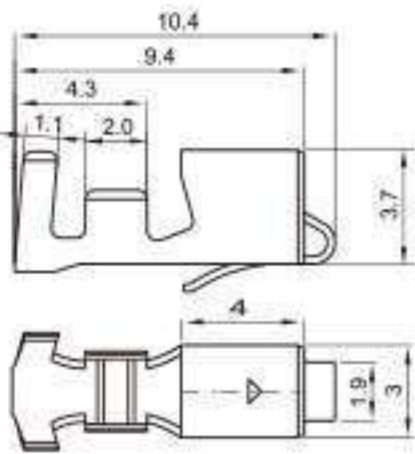


■ 技术参数 SPECIFICATIONS

- 线数 Number of positions: 2
- 适用线规 Applicable wires: 26~22AWG
- 温度范围 Temperature range: -40°C~105°C
(including temperature rise in applying electrical current)
- 额定电压 Voltage rating: 250V AC, DC Max.
- 额定电流 Current rating: 7A AC, DC Max.
- 接触电阻 Contact resistance: $\leq 10\text{m}\Omega$
- 绝缘电阻 Insulation resistance: $\geq 1000\text{M}\Omega$
- 耐压 Withstanding voltage: 1500V AC/minute

*Compliant with RoHS.

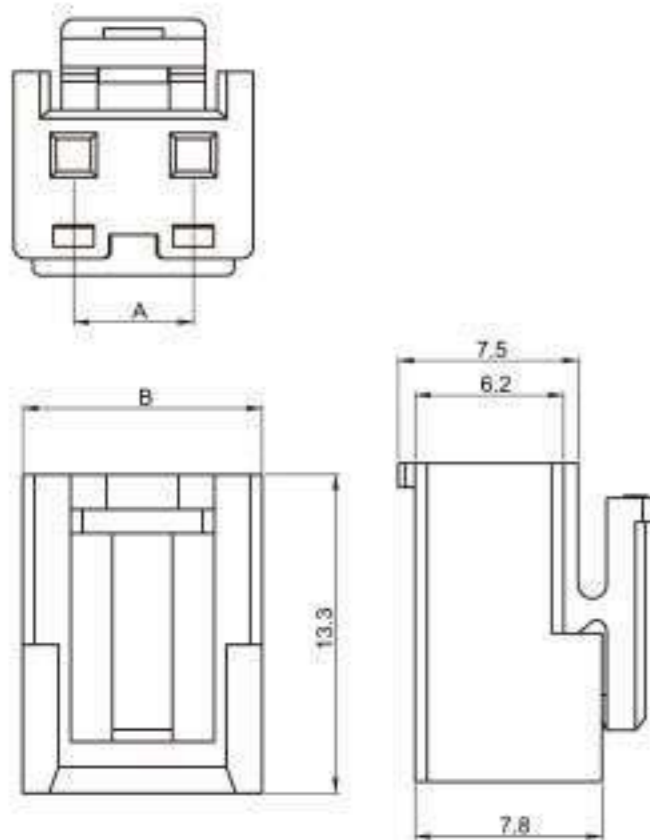
C39604-NPT(VH-PT)



端子 TERMINAL

型号 Part No.	材质 Material	料厚 Thickness	线规 Applicable wires		电线外径 Wire insulation O.D. mm	镀层 Plating	包装数量 Q'ty/reel
			AWG#	线径 mm ²			
C39604-02PT	Phosphor bronze	0.25	26-22	0.5-0.75	1.7-2.8	Tin Plated	2.5K

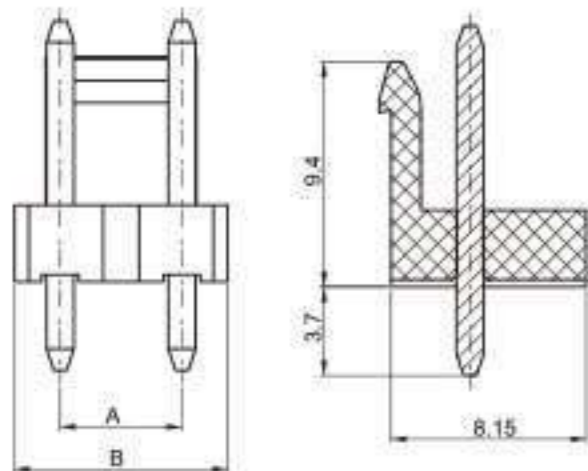
C50006-ANP(NV-NY)



公端塑件 PLUG HOUSING

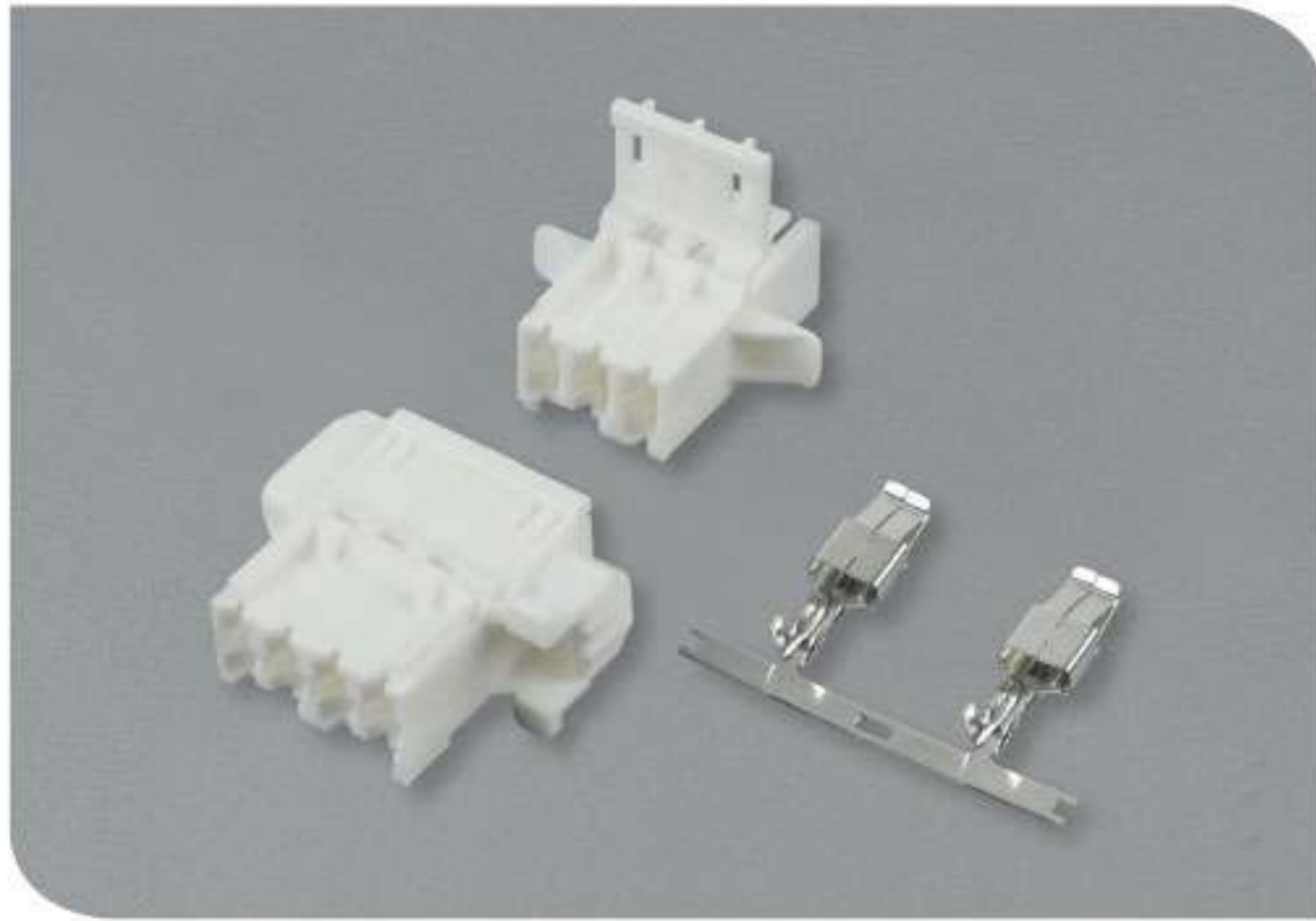
型号 Part No.	材质 Material	包装数量 Q'ty/bag	尺寸 Dimensions(mm)	
			A	B
C50006-A02P	PA66	1K	5.0	10.0

C39604-ANA-5.08(VH-NA-5.08)



针座 WAFER

型号 Part No.	材质 Material	包装数量 Q'ty/bag	尺寸 Dimensions(mm)	
			A	B
C50006-A02A	PA66	1K	5.08	8.9

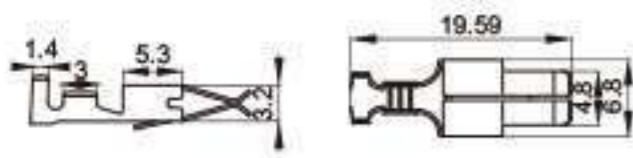


■ 技术参数 SPECIFICATIONS

- 线数 Number of positions: 3~4
- 适用线规 Applicable wires: 20~18AWG
- 温度范围 Temperature range: -40°C~105°C
(including temperature rise in applying electrical current)
- 额定电压 Voltage rating: 250V AC, DC Max.
- 额定电流 Current rating: 5A AC, DC Max.
- 接触电阻 Contact resistance: $\leq 10\text{m}\Omega$
- 绝缘电阻 Insulation resistance: $\geq 1000\text{M}\Omega$
- 耐压 Withstanding voltage: 2000V AC/minute

*Compliant with RoHS.

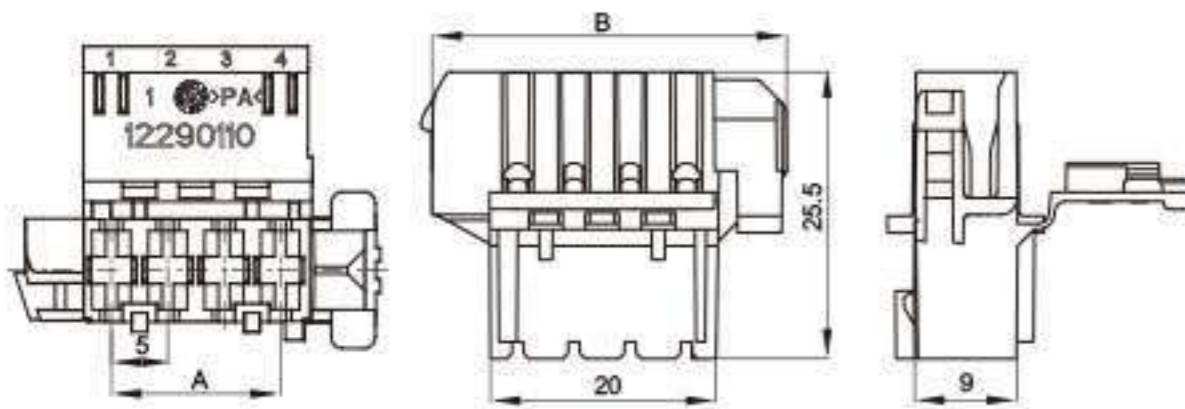
C50003-01PT(926965-2)



端子 TERMINAL

型号 Part No.	材质 Material	料厚 Thickness	线规 Applicable wires		电线外径 Wire insulation O.D. mm	镀层 Plating	包装数量 Q'ty/reel
			AWG#	线径 mm ²			
C50003-01PT	Phosphor bronze	0.3	20-18	0.33-0.75	1.5-2.8	Tin Plated	1.2K

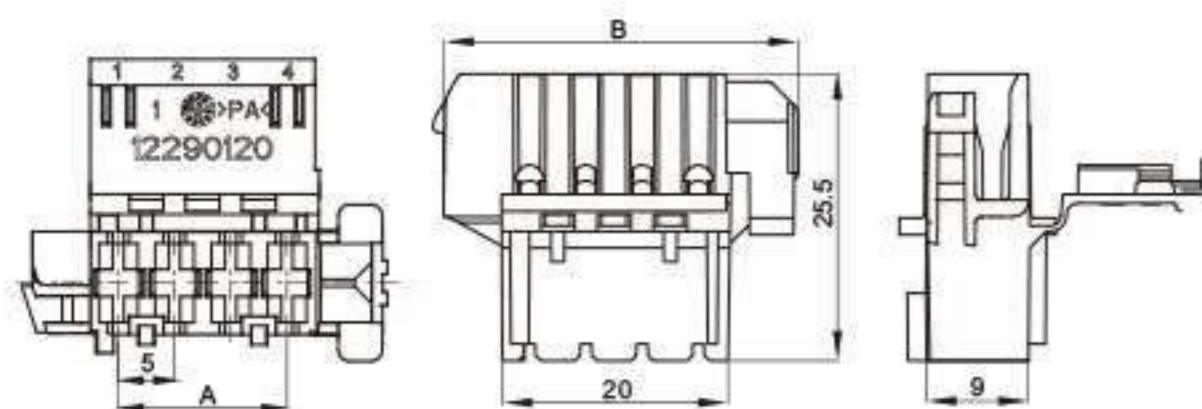
C50007-ANP-1(12290110)



公端塑件 PLUG HOUSING

型号 Part No.	材质 Material	包装数量 Q'ty/bag	尺寸 Dimensions(mm)	
			A	B
C50007-A04P-1	PA66	0.5K	15.0	31.5

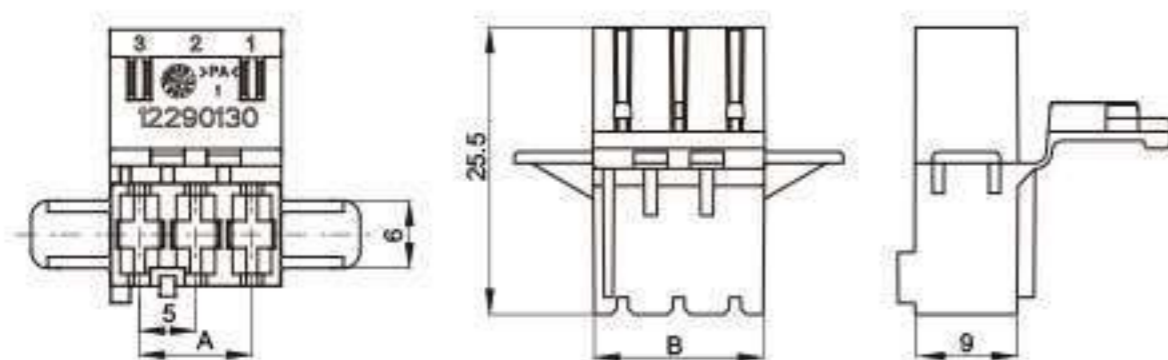
C50007-ANP(12290120)



公端塑件 PLUG HOUSING

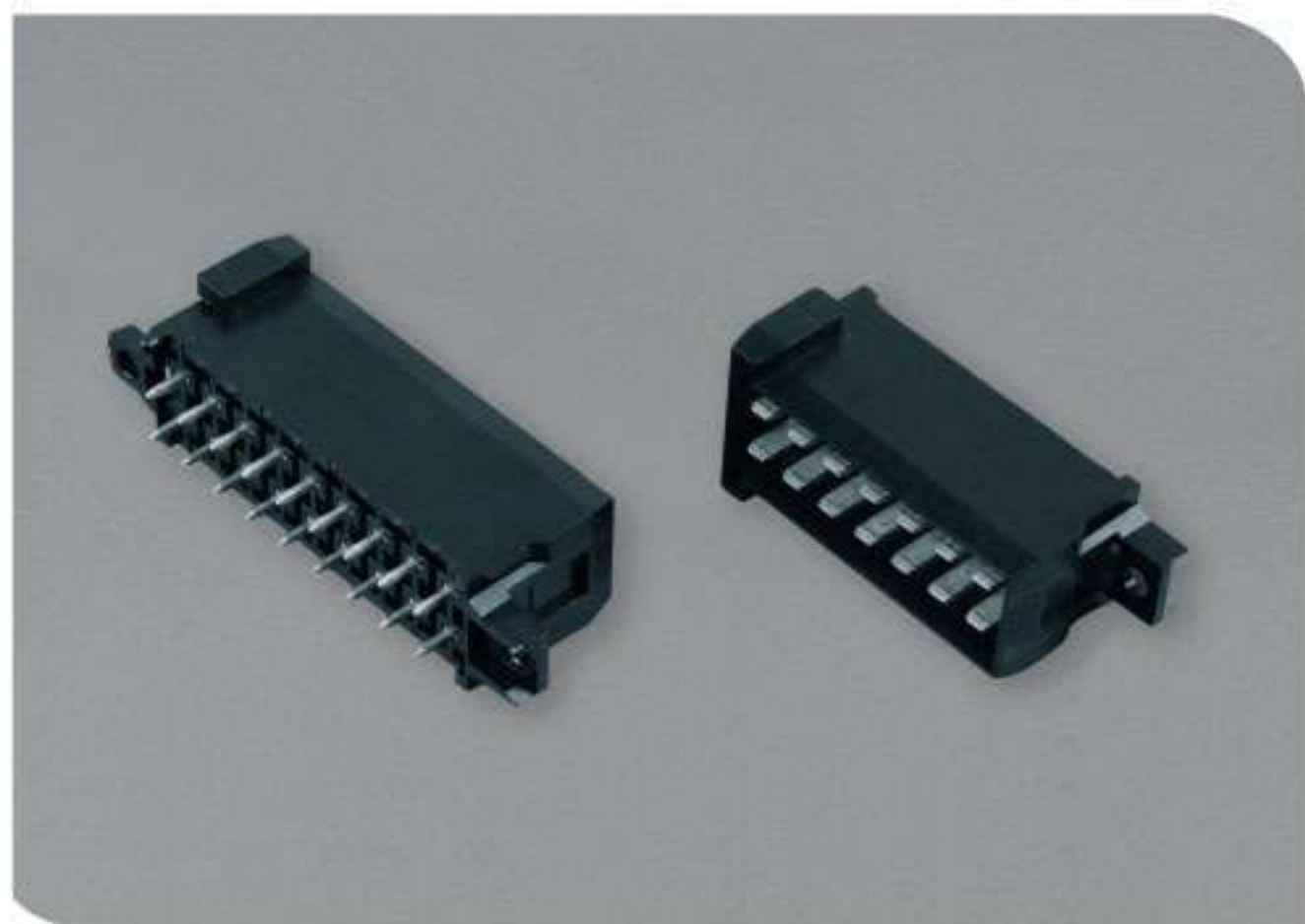
型号 Part No.	材质 Material	包装数量 Q'ty/bag	尺寸 Dimensions(mm)	
			A	B
C50007-A04P	PA66	0.5K	15.0	31.5

C50007-ANP(12290130)



公端塑件 PLUG HOUSING

型号 Part No.	材质 Material	包装数量 Q'ty/bag	尺寸 Dimensions(mm)	
			A	B
C50007-A03P	PA66	0.5K	10.0	15.0

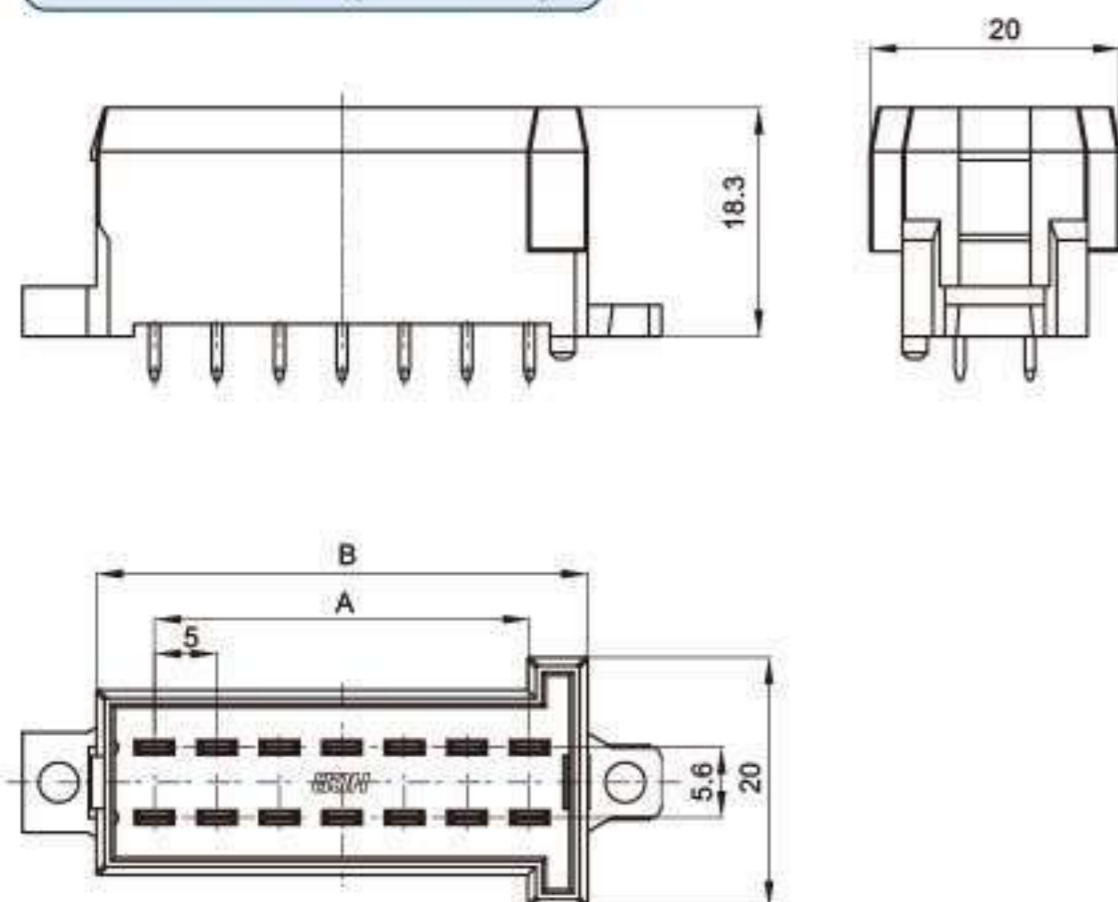


■ 技术参数 SPECIFICATIONS

- 线数 Number of positions: 14~18
- 适用线规 Applicable wires:
- 温度范围 Temperature range: -40°C~105°C
(including temperature rise in applying electrical current)
- 额定电压 Voltage rating: 250V AC, DC Max.
- 额定电流 Current rating: 16A AC, DC Max.
- 接触电阻 Contact resistance: $\leq 10\text{m}\Omega$
- 绝缘电阻 Insulation resistance: $\geq 1000\text{M}\Omega$
- 耐压 Withstanding voltage: 1500V AC/minute

*Compliant with RoHS.

C50009-ANAD(963357-N)



公端塑件 PLUG HOUSING

型号 Part No.	材质 Material	包装数量 Q'ty/bag	尺寸 Dimensions(mm)	
			A	B
C50009-A14AD	PA66	0.2K	30.0	39.3
C50009-A18AD		0.2K	40.0	49.3



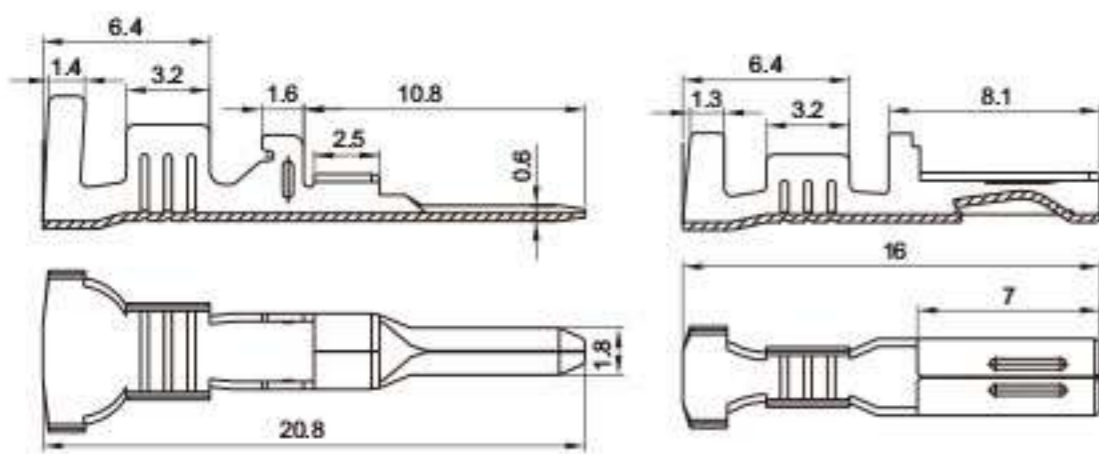
■ 技术参数 SPECIFICATIONS

- 线数 Number of positions: 2~6
- 适用线规 Applicable wires: 22~14AWG
- 温度范围 Temperature range: -40°C~105°C
(including temperature rise in applying electrical current)
- 额定电压 Voltage rating: 250V AC, DC Max.
- 额定电流 Current rating: 12A AC, DC Max.
- 接触电阻 Contact resistance: $\leq 10\text{m}\Omega$
- 绝缘电阻 Insulation resistance: $\geq 1000\text{M}\Omega$
- 耐压 Withstanding voltage: 1500V AC/minute

*Compliant with RoHS.

C60001-02RT(MG1.8 插针)
C60001-03RT(MG1.8 插针)
C60001-04RT(MG1.8 插针)

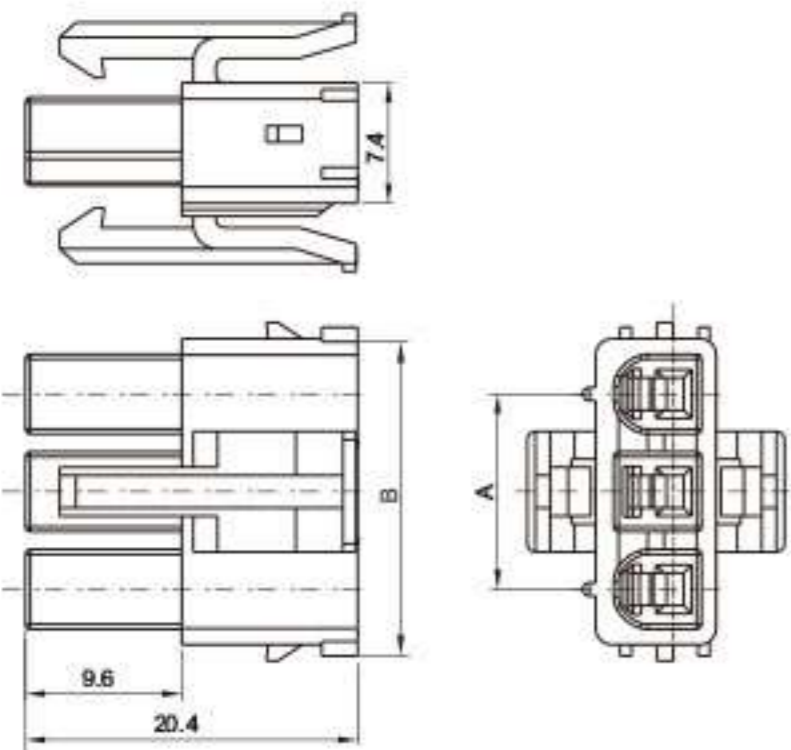
C60001-02PT(MG1.8 插簧)
C60001-03PT(MG1.8 插簧)
C60001-04PT(MG1.8 插簧)



端子 TERMINAL

型号 Part No.	材质 Material	料厚 Thickness	线规 Applicable wires		电线外径 Wire insulation O.D. mm	镀层 Plating	包装数量 Q'ty/reel
			AWG#	线径 mm ²			
C60001-02RT	Phosphor bronze	0.3	22-18	0.33-0.75	1.3-2.8	Tin Plated	2.5K
C60001-03RT	Phosphor bronze	0.3	18-14	0.75-1.5	2.8-3.5	Tin Plated	2.5K
C60001-04RT	Phosphor bronze	0.3	20/18/16+20/ 18/16	/	/	Tin Plated	2.5K
C60001-02PT	Phosphor bronze	0.3	22-18	0.33-0.75	1.3-2.8	Tin Plated	2.5K
C60001-03PT	Phosphor bronze	0.3	18-14	0.75-1.5	2.8-3.5	Tin Plated	2.5K
C60001-04PT	Phosphor bronze	0.3	20/18/16+20/ 18/16	/	/	Tin Plated	2.5K

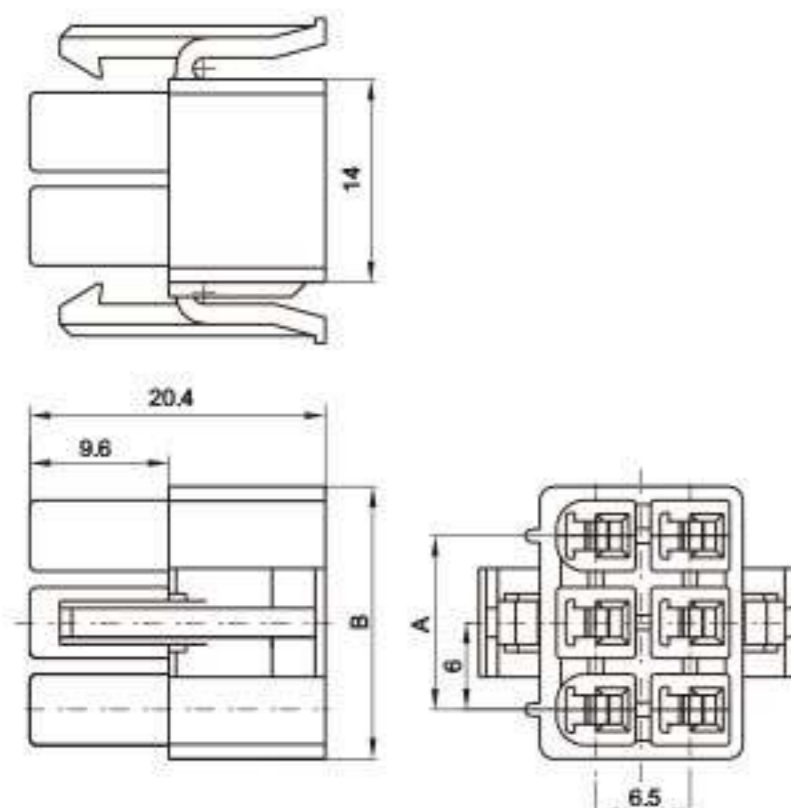
C60001-ANP



公端塑件 PLUG HOUSING

型号 Part No.	材质 Material	包装数量 Q'ty/bag	尺寸 Dimensions(mm)	
			A	B
C60001-A02P	PA66	1K	6.0	12.8
C60001-A03P		1K	12.0	18.8

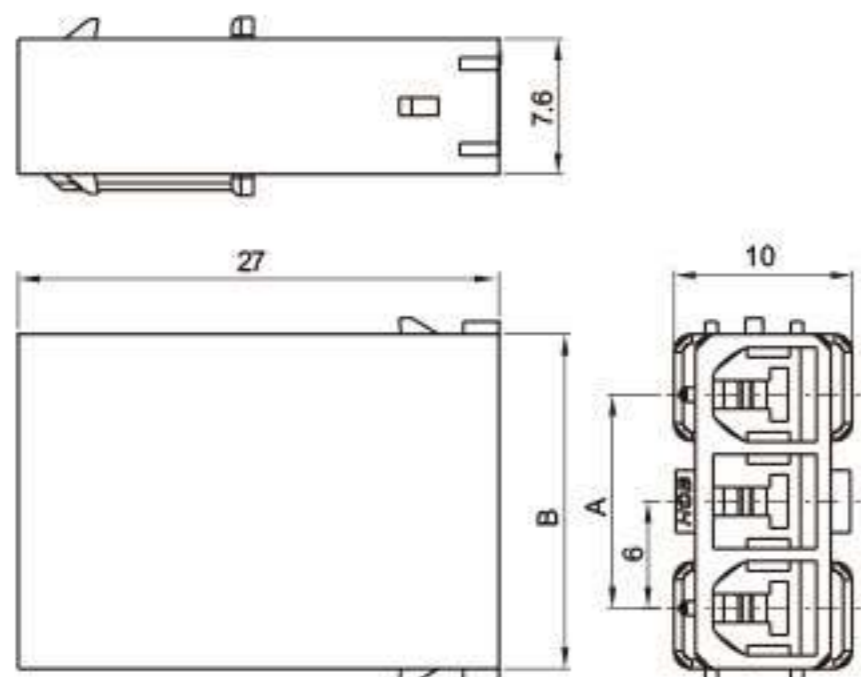
C60001-BNP



公端塑件 PLUG HOUSING

型号 Part No.	材质 Material	包装数量 Q'ty/bag	尺寸 Dimensions(mm)	
			A	B
C60001-B04P	PA66	0.5K	6.0	12.8
C60001-B06P		0.5K	12.0	18.8

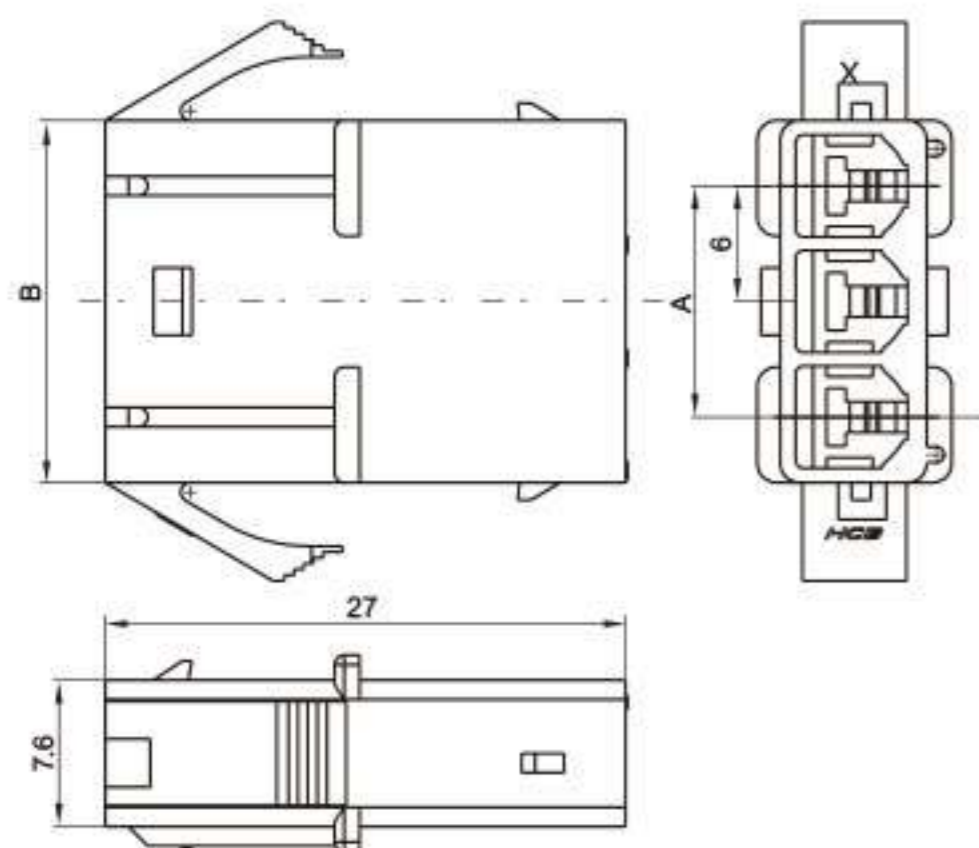
C60001-BNRF



母端塑件 RECEPTACLE

型号 Part No.	材质 Material	包装数量 Q'ty/bag	尺寸 Dimensions(mm)	
			A	B
C60001-B02RF	PA66	1K	6.0	12.8
C60001-B03RF		1K	12.0	18.8

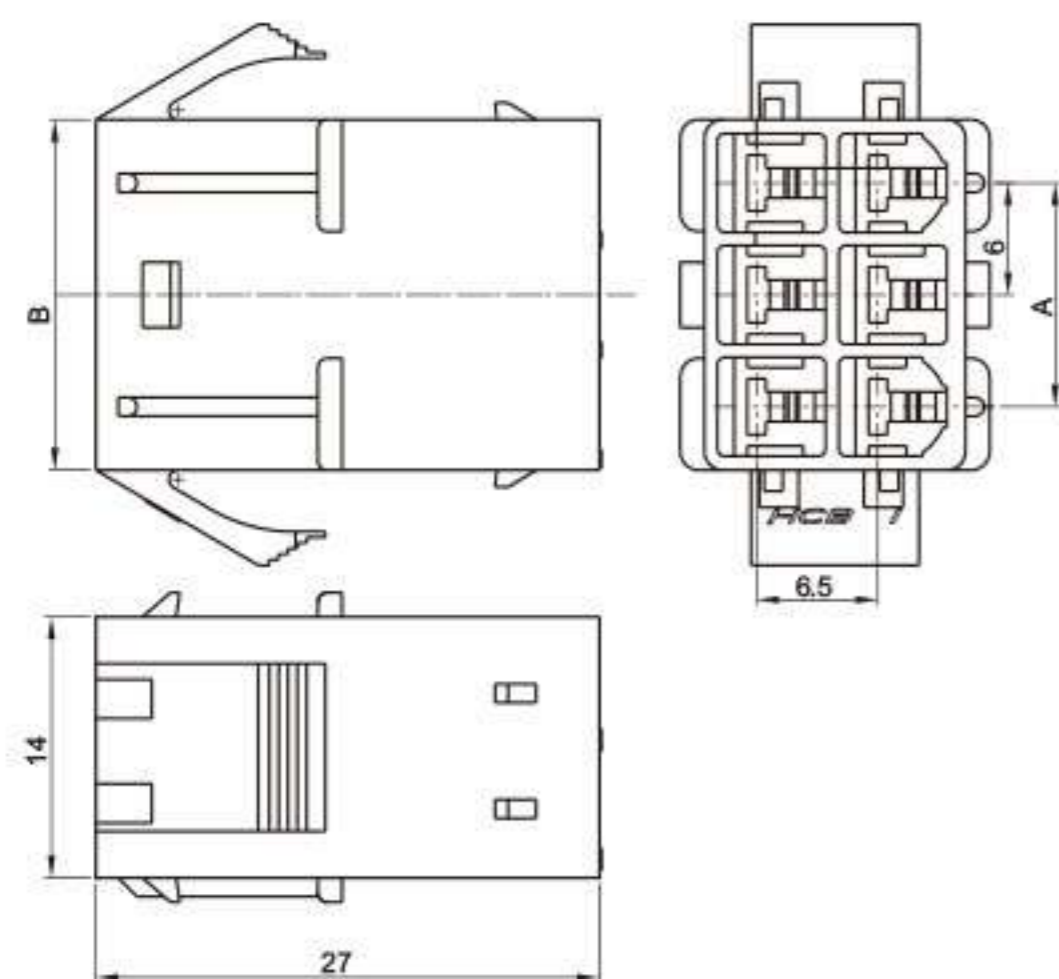
C60001-ANR



母端塑件 RECEPTACLE

型号 Part No.	材质 Material	包装数量 Q'ty/bag	尺寸 Dimensions(mm)	
			A	B
C60001-A02R	PA66	1K	6.0	12.8
C60001-A03R		1K	12.0	18.8

C60001-ANR

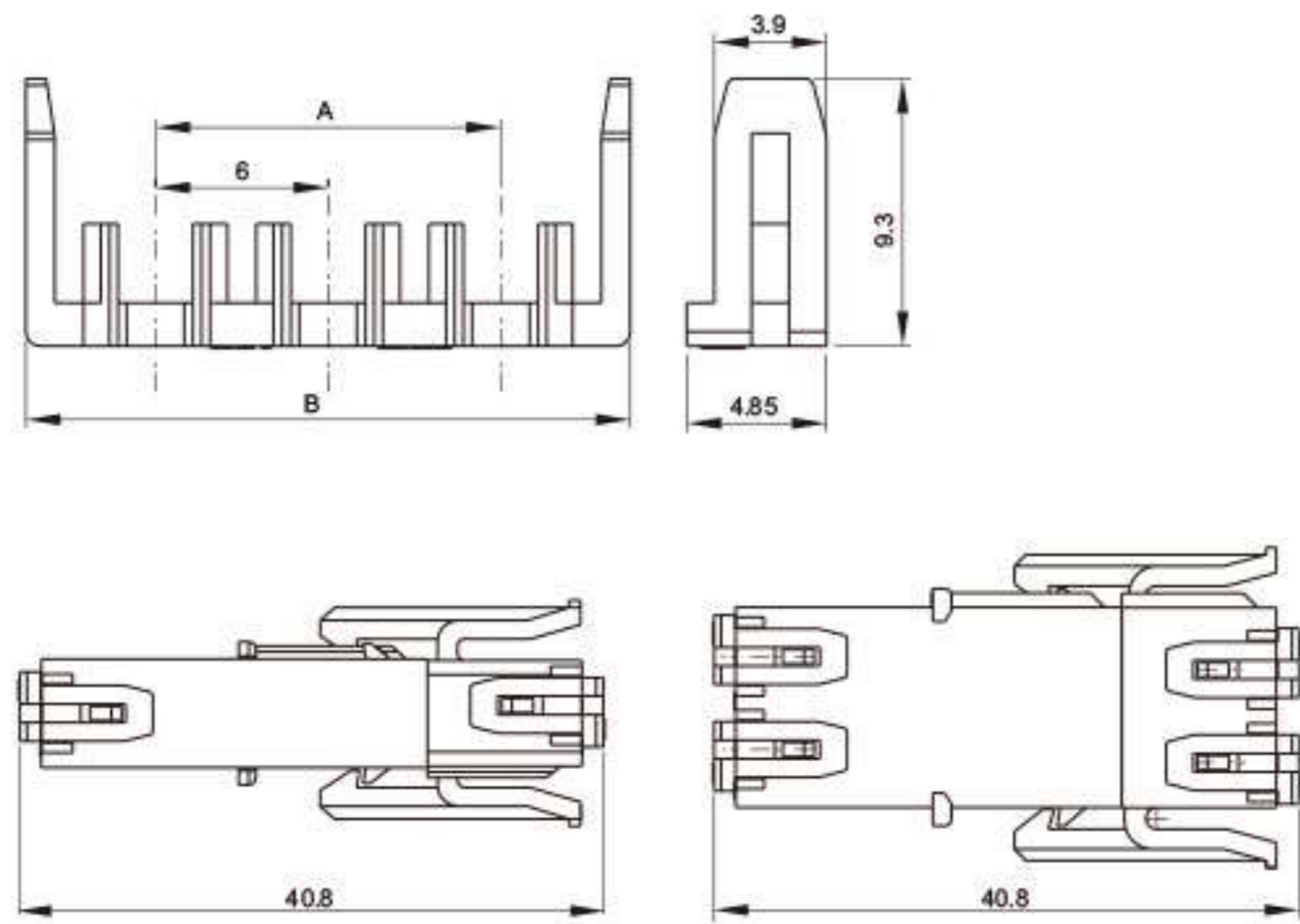


母端塑件 RECEPTACLE

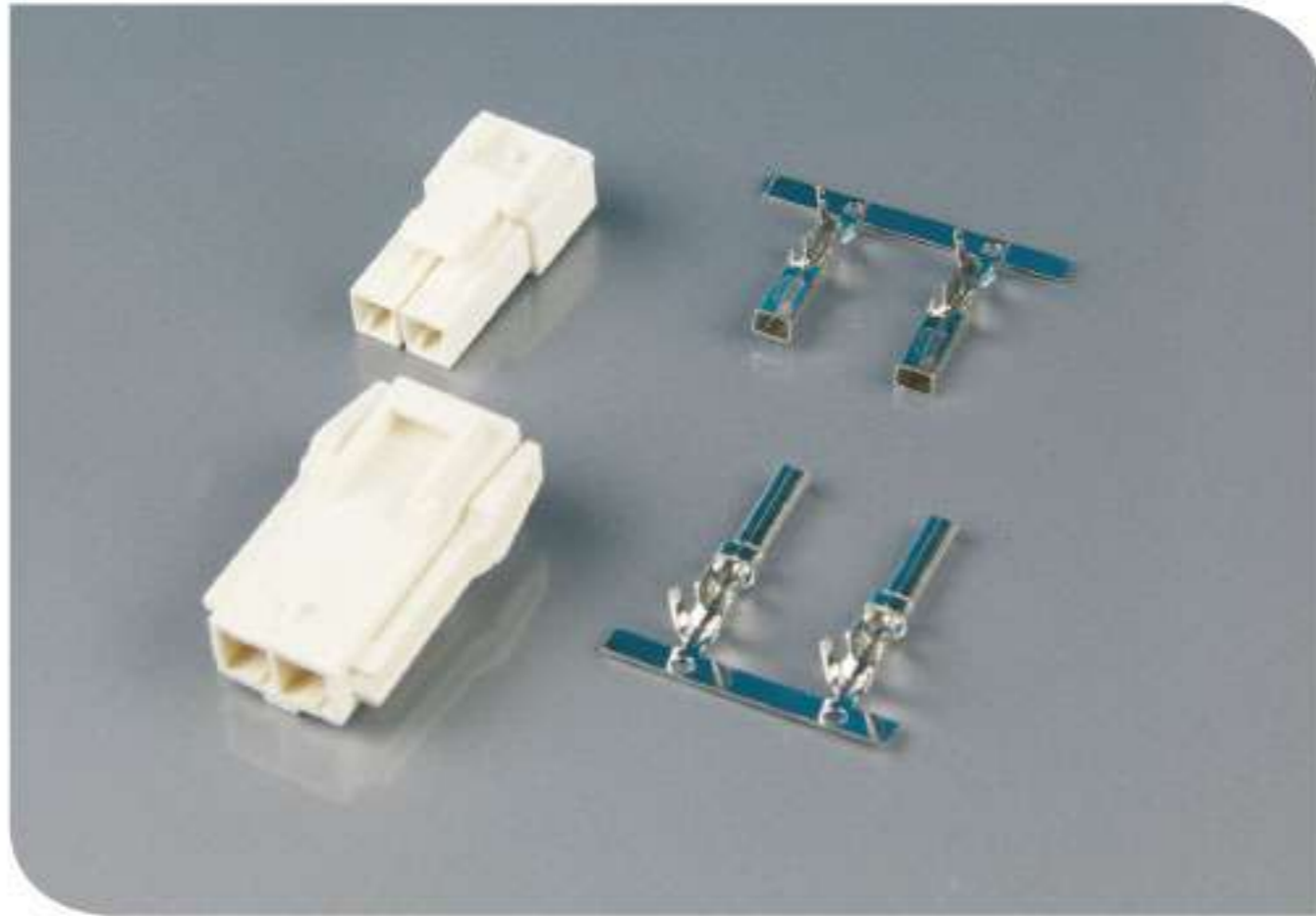
型号 Part No.	材质 Material	包装数量 Q'ty/bag	尺寸 Dimensions(mm)	
			A	B
C60001-A04R	PA66	0.5K	6.0	12.8
C60001-A06R		0.5K	12.0	18.8

C60001-BNS(MG 锁片)

锁片 TPA



型号 Part No.	材质 Material	包装数量 Q'ty/bag	尺寸 Dimensions(mm)	
			A	B
C60001-B02S	PA66	2K	6.0	14.8
C60001-B03S		2K	12.0	18.8

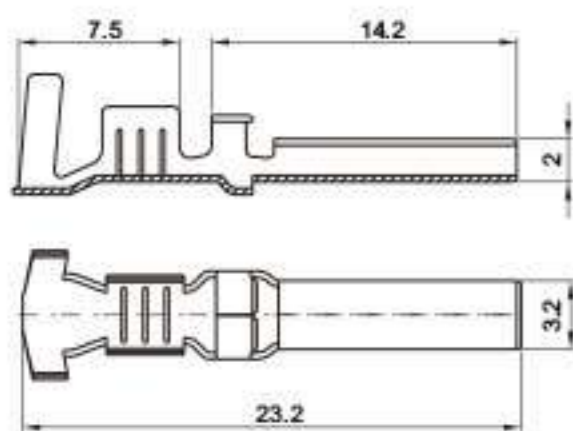


■ 技术参数 SPECIFICATIONS

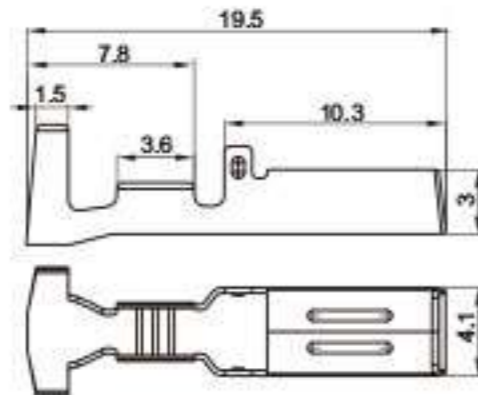
- 线数 Number of positions: 2~9
- 适用线规 Applicable wires: 18~16AWG
- 温度范围 Temperature range: -40°C~105°C
(including temperature rise in applying electrical current)
- 额定电压 Voltage rating: 250V AC, DC Max.
- 额定电流 Current rating: 12A AC, DC Max.
- 接触电阻 Contact resistance: $\leq 10\text{m}\Omega$
- 绝缘电阻 Insulation resistance: $\geq 1000\text{M}\Omega$
- 耐压 Withstanding voltage: 1500V AC/minute

*Compliant with RoHS.

C62002-03PT(VL-RT)



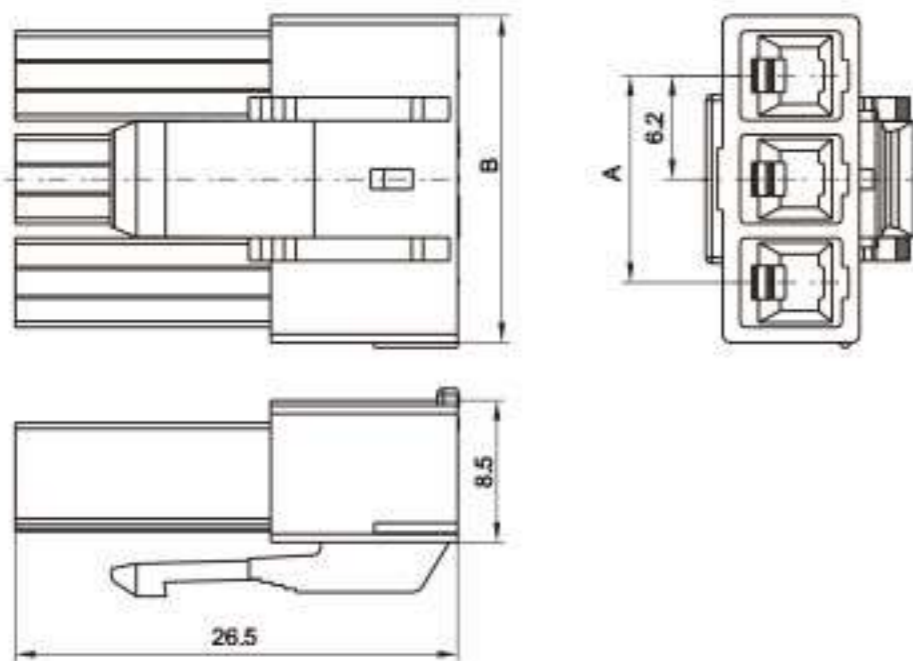
C62002-03RT(VL-PT)



端子 TERMINAL

型号 Part No.	材质 Material	料厚 Thickness	线规 Applicable wires		电线外径 Wire insulation O.D. mm	镀层 Plating	包装数量 Q'ty/reel
			AWG#	线径 mm ²			
C62002-03RT	Phosphor bronze	0.25	18-16	0.7-1.25	2.7-3.5	Tin Plated	2K
C62002-03PT	Phosphor bronze	0.25	18-16	0.7-1.25	2.7-3.5	Tin Plated	2K

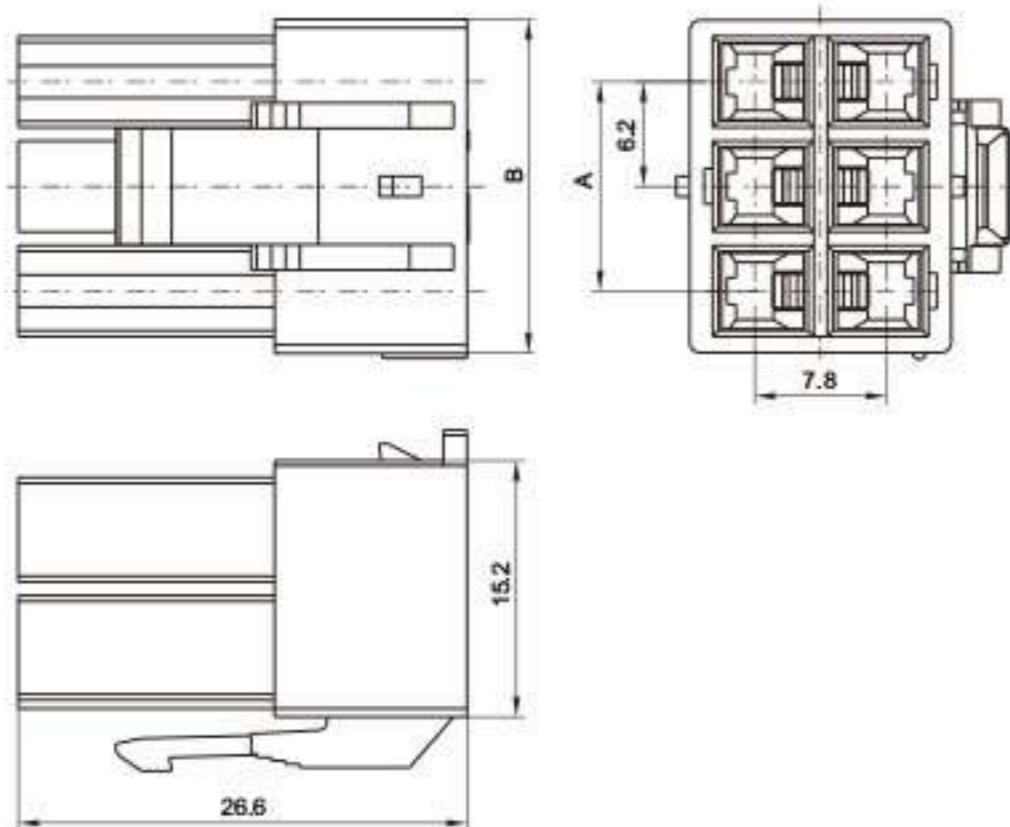
C62002-ANP(VL-NP) 单排



公端塑件 PLUG HOUSING

型号 Part No.	材质 Material	包装数量 Q'ty/bag	尺寸 Dimensions(mm)	
			A	B
C62002-A02P	PA66	1K	6.2	13.4
C62002-A03P		1K	12.4	19.6

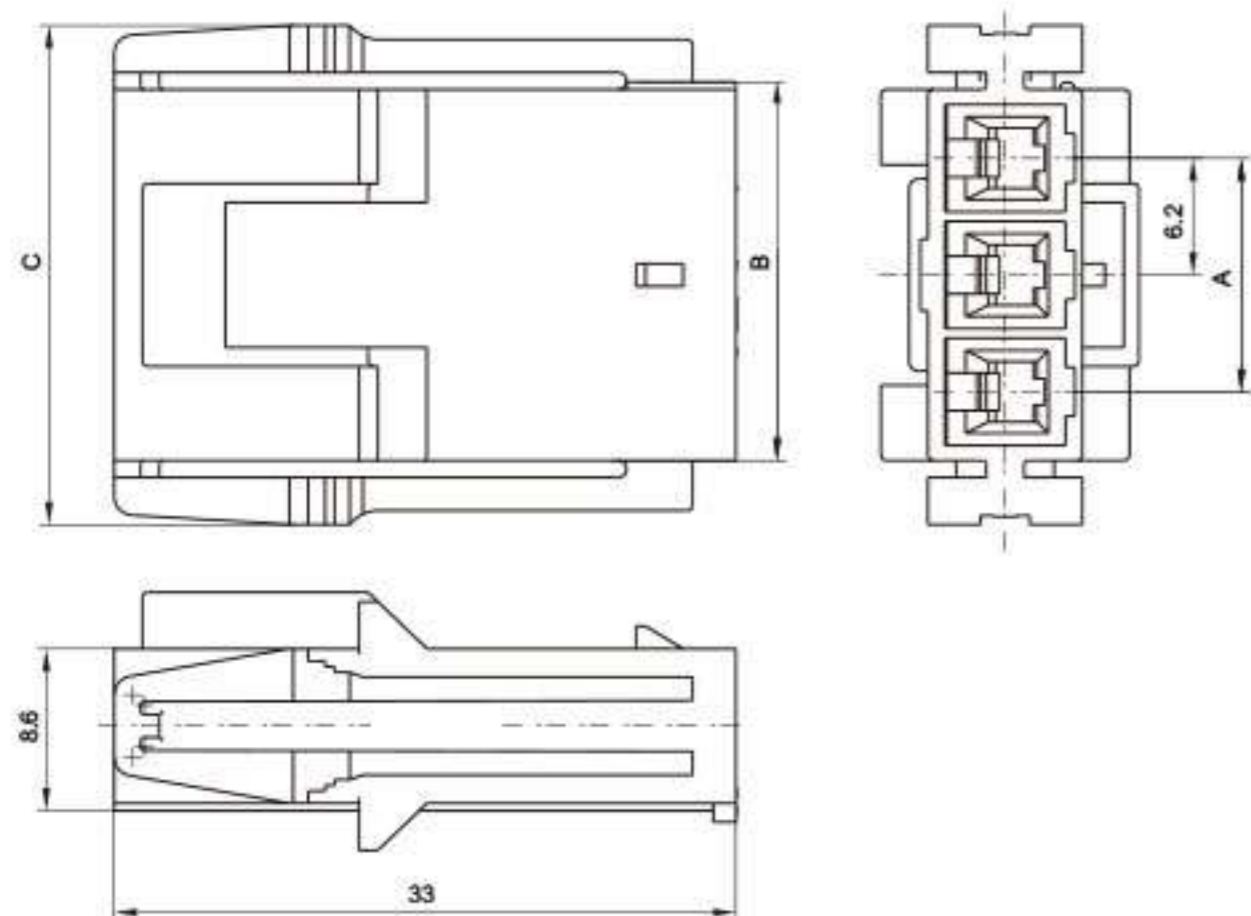
C62002-ANP(VL-NP) 双排



公端塑件 PLUG HOUSING

型号 Part No.	材质 Material	包装数量 Q'ty/bag	尺寸 Dimensions(mm)	
			A	B
C62002-A04P	PA66	0.5K	6.2	13.5
C62002-A06P		0.5K	12.4	19.7

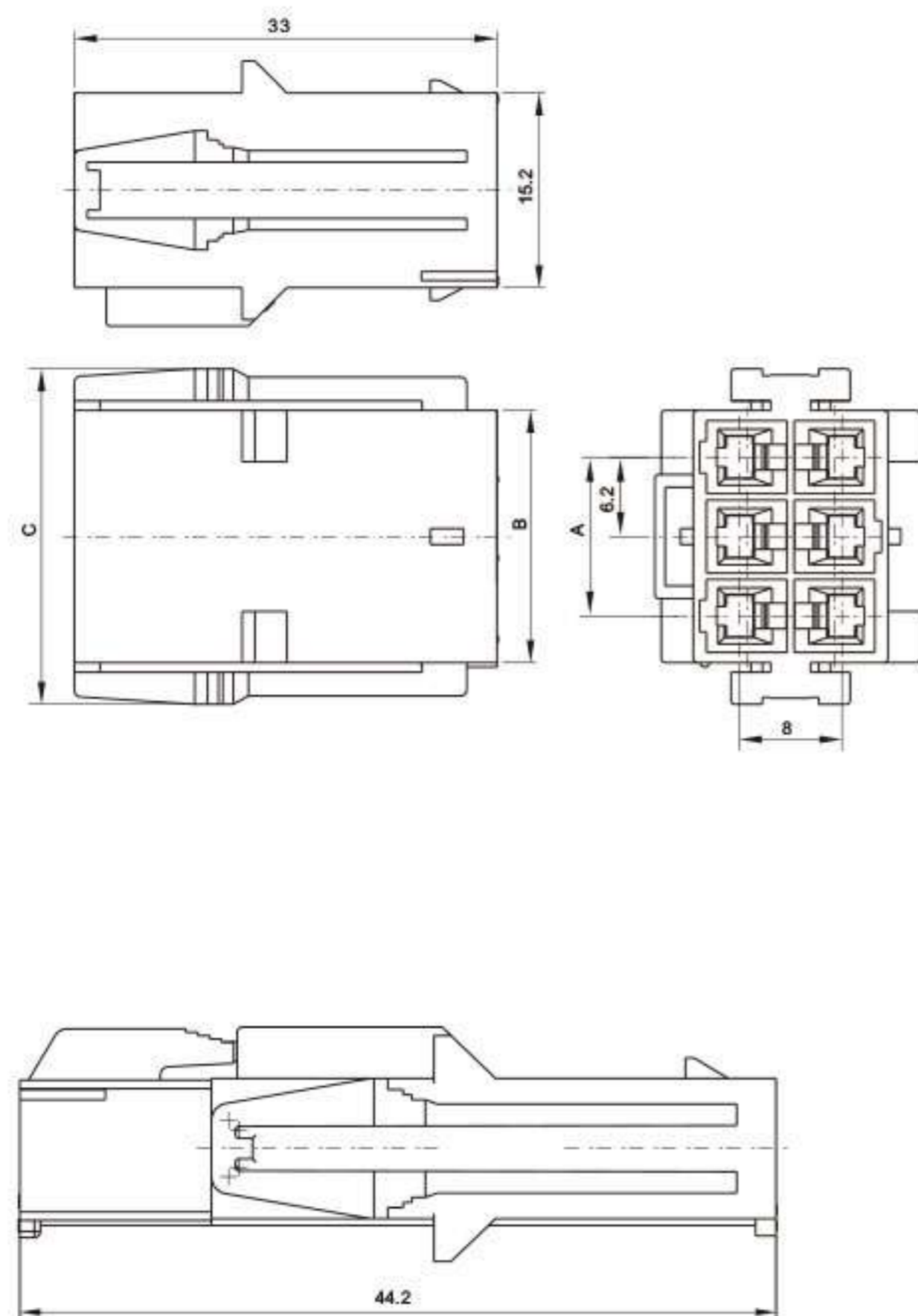
C62002-ANR(VL-NR) 单排



母端塑件 RECEPTACLE

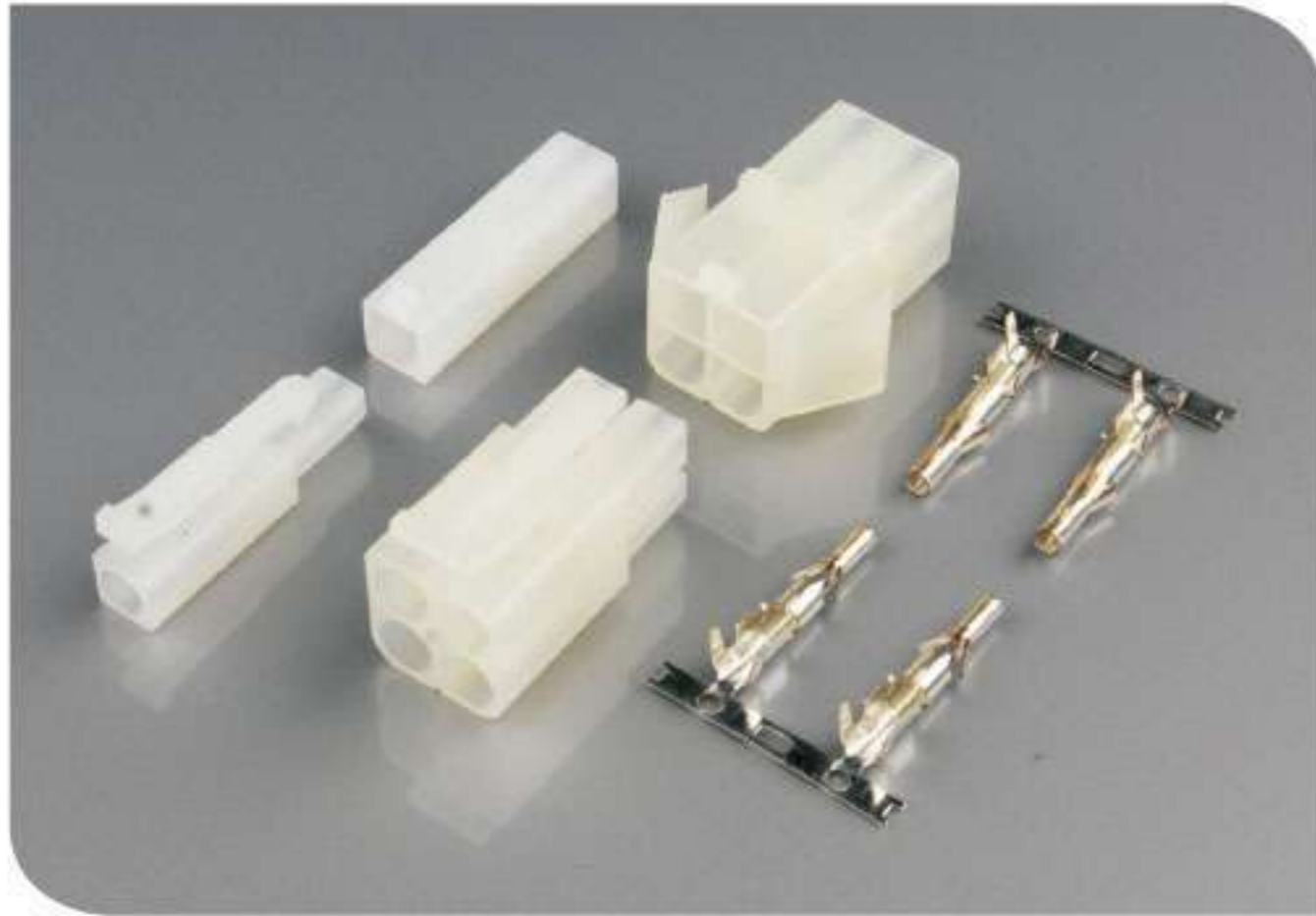
型号 Part No.	材质 Material	包装数量 Q'ty/bag	尺寸 Dimensions(mm)		
			A	B	C
C62002-A02R	PA66	0.5K	6.2	13.5	20.3
C62002-A03R		0.5K	12.4	19.7	26.5

C62002-ANR(VL-NR) 双排



母端塑件 RECEPTACLE

型号 Part No.	材质 Material	包装数量 Q'ty/bag	尺寸 Dimensions(mm)		
			A	B	C
C62002-A06R	PA66	0.2K	12.4	19.7	26.2

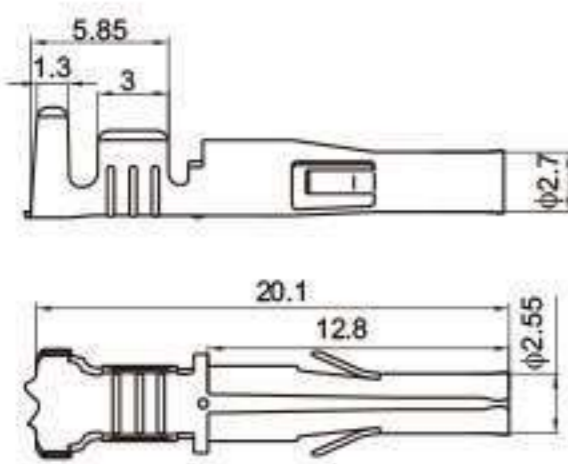


■ 技术参数 SPECIFICATIONS

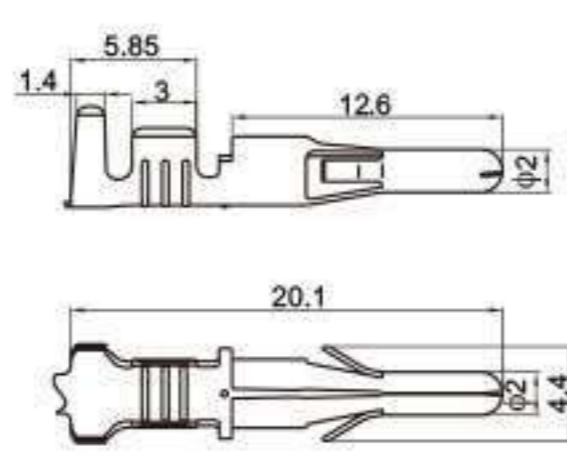
- 线数 Number of positions: 1
- 适用线规 Applicable wires: 18~16AWG
- 温度范围 Temperature range: -40°C~105°C
(including temperature rise in applying electrical current)
- 额定电压 Voltage rating: 250V AC, DC Max.
- 额定电流 Current rating: 12A AC, DC Max.
- 接触电阻 Contact resistance: ≤ 20mΩ
- 绝缘电阻 Insulation resistance: ≥ 1000MΩ
- 耐压 Withstanding voltage: 1500V AC/minute

*Compliant with RoHS.

C62001-03PT(L6.2-PT)



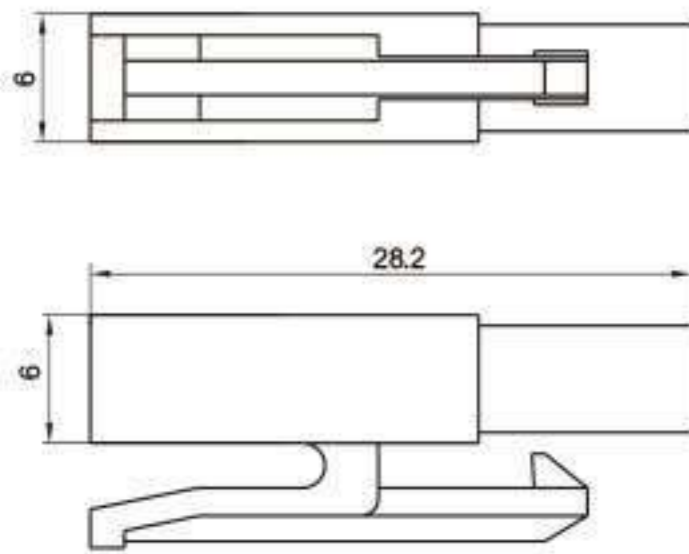
C62001-03RT(L6.2-RT)



端子 TERMINAL

型号 Part No.	材质 Material	料厚 Thickness	线规 Applicable wires		电线外径 Wire insulation O.D. mm	镀层 Plating	包装数量 Q'ty/reel
			AWG#	线径 mm ²			
C62001-03PT	Phosphor bronze	0.25	20-16	0.5-1.25	2.6-3.5	Tin Plated	3K
C62001-03RT	Phosphor bronze	0.25	20-16	0.5-1.25	2.6-3.5	Tin Plated	3K

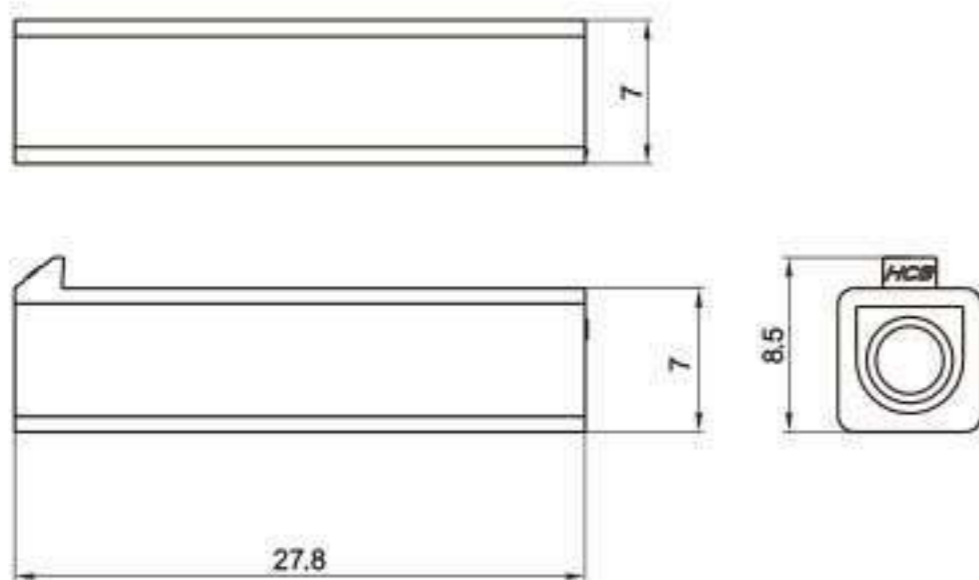
C62001-ANP(L6.2-NP)



公端塑件 PLUG HOUSING

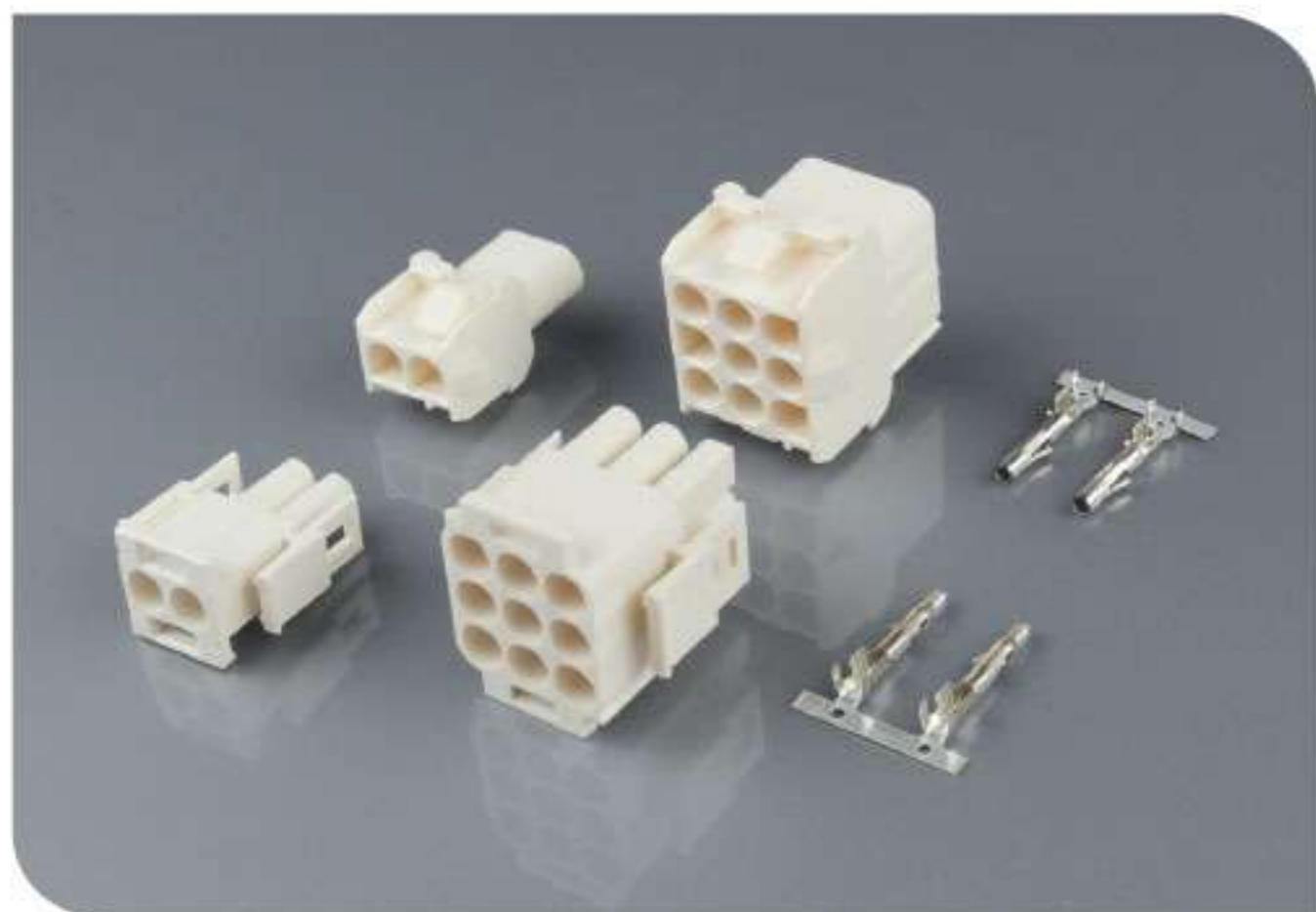
型号 Part No.	材质 Material	包装数量 Q'ty/bag	尺寸 Dimensions(mm)	
			A	B
C62001-A01P	PA66	1K	NA	6.0

C62001-ANR(L6.2-NR)



公端塑件 PLUG HOUSING

型号 Part No.	材质 Material	包装数量 Q'ty/bag	尺寸 Dimensions(mm)	
			A	B
C62001-A01R	PA66	1K	NA	7.0

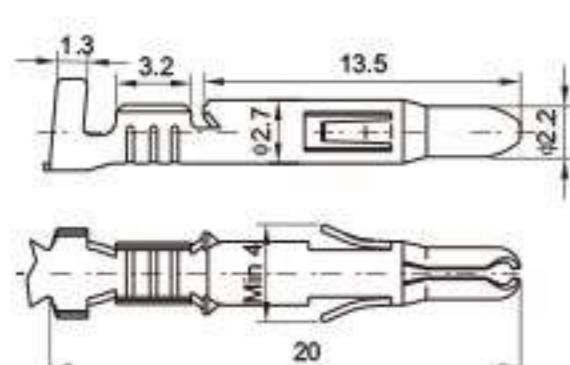


■ 技术参数 SPECIFICATIONS

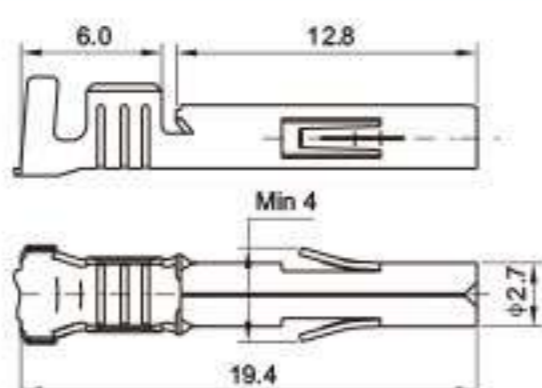
- 线数 Number of positions: 2~12
- 适用线规 Applicable wires: 20~16AWG
- 温度范围 Temperature range: -40°C~105°C
(including temperature rise in applying electrical current)
- 额定电压 Voltage rating: 250V AC, DC Max.
- 额定电流 Current rating: 12A AC, DC Max.
- 接触电阻 Contact resistance: ≤ 10mΩ
- 绝缘电阻 Insulation resistance: ≥ 1000MΩ
- 耐压 Withstanding voltage: 1500V AC/minute

*Compliant with RoHS.

C63501-03RT(42023-RT)
C63501-02RT(42023-1-RT)



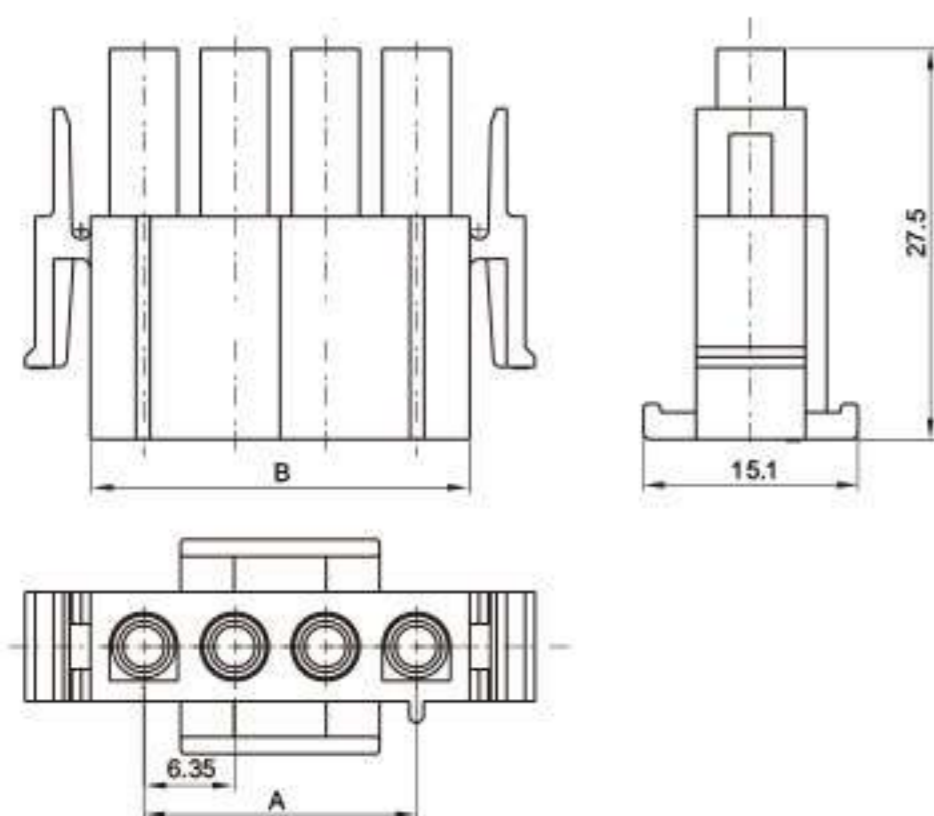
C63501-03PT(42024-PT)
C63501-02PT(42024-1-PT)



端子 TERMINAL

型号 Part No.	材质 Material	料厚 Thickness	线规 Applicable wires		电线外径 Wire insulation O.D. mm	镀层 Plating	包装数量 Q'ty/reel
			AWG#	线径 mm ²			
C63501-02RT	Phosphor bronze	0.3	20-18	0.5-0.7	1.7-2.7	Tin Plated	3K
C63501-03RT	Phosphor bronze	0.3	18-16	0.7-1.25	2.7-3.5	Tin Plated	3K
C63501-02PT	Phosphor bronze	0.3	20-18	0.5-0.7	1.7-2.7	Tin Plated	3K
C63501-03PT	Phosphor bronze	0.3	18-16	0.7-1.25	2.7-3.5	Tin Plated	3K

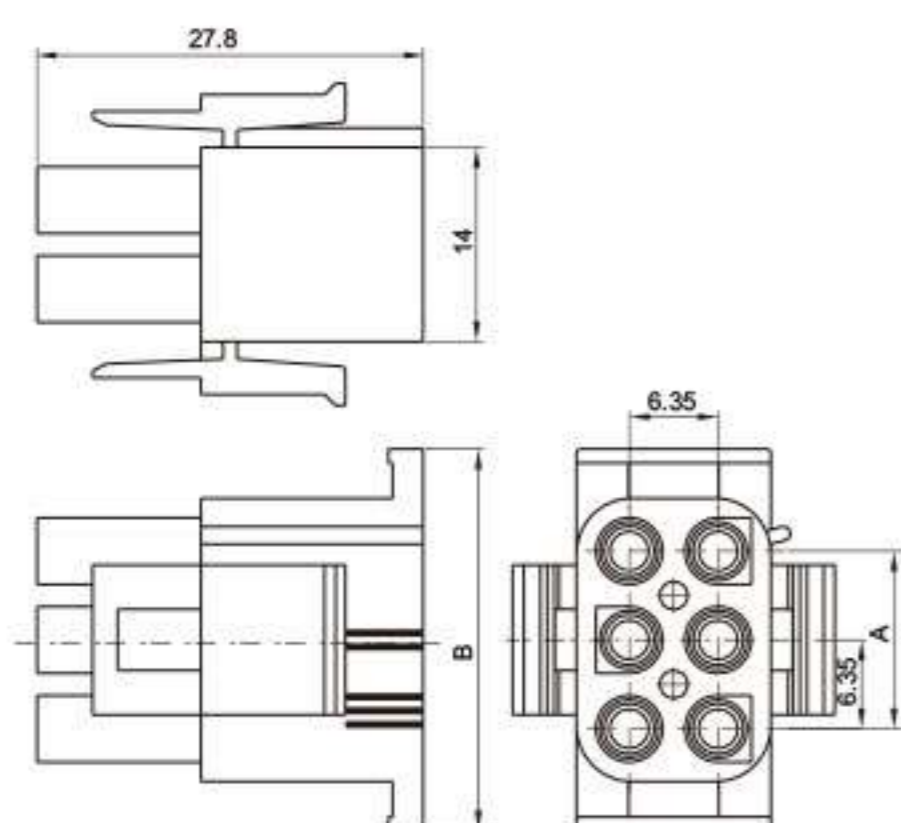
C63501-ANP(42021-NC) 单排



公端塑件 PLUG HOUSING

型号 Part No.	材质 Material	包装数量 Q'ty/bag	尺寸 Dimensions(mm)	
			A	B
C63501-A02P	PA66	0.5K	6.35	13.97
C63501-A03P		0.5K	12.7	20.32
C63501-A04P		0.5K	19.05	26.67
C63501-A05P		0.5K	25.4	33.02

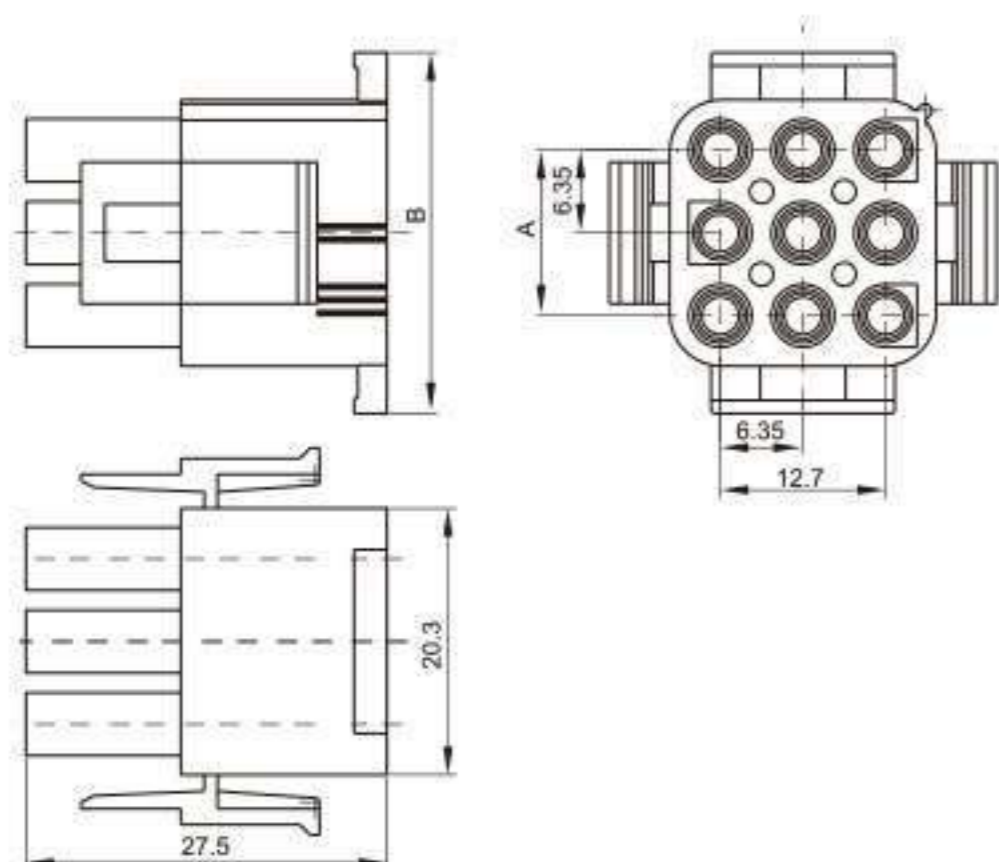
C63501-ANP(42021-NC) 双排



公端塑件 PLUG HOUSING

型号 Part No.	材质 Material	包装数量 Q'ty/bag	尺寸 Dimensions(mm)	
			A	B
C63501-A06P	PA66	0.2K	12.7	20.5

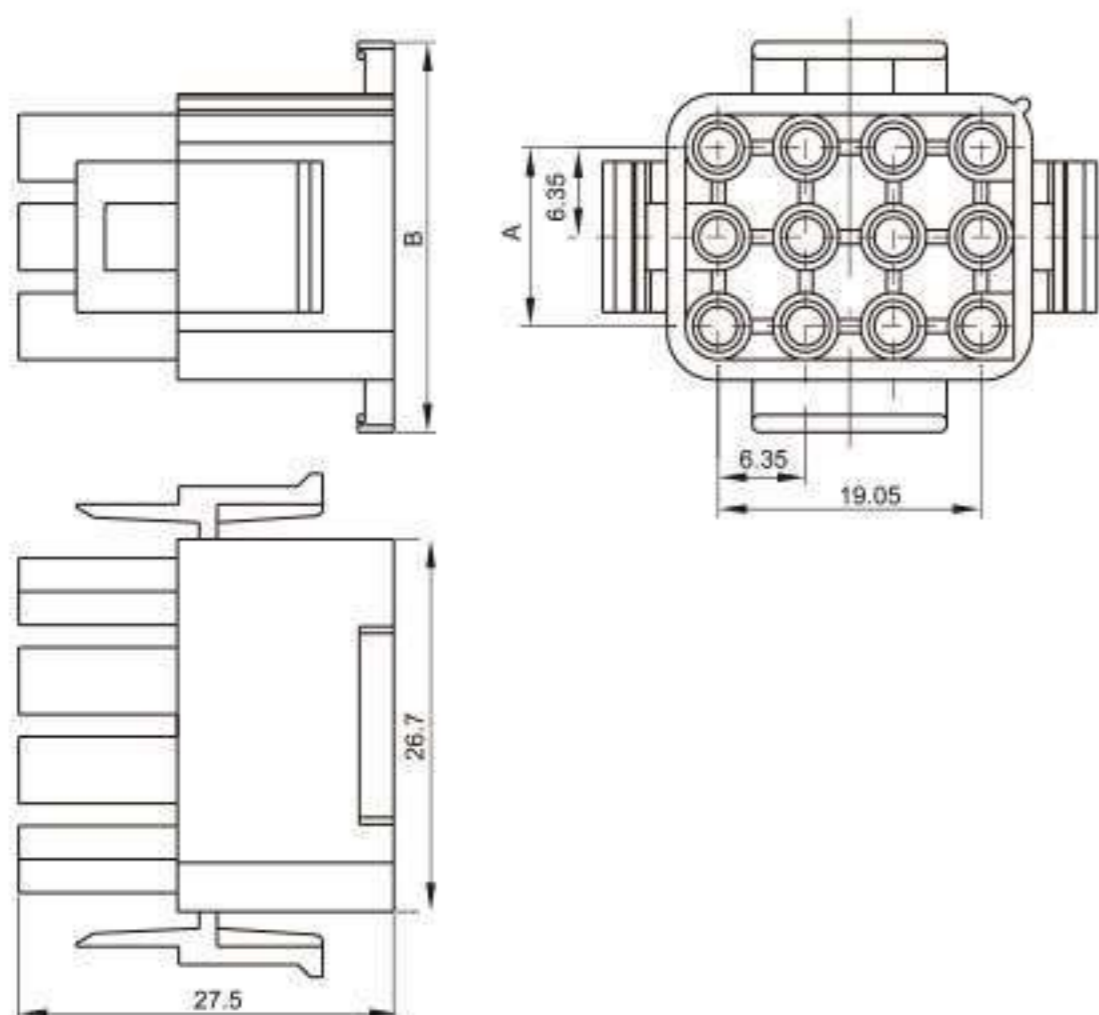
C63501-ANP(42021-NC) 三排



公端塑件 PLUG HOUSING

型号 Part No.	材质 Material	包装数量 Q'ty/bag	尺寸 Dimensions(mm)	
			A	B
C63501-A09P	PA66	0.2K	12.7	27.7

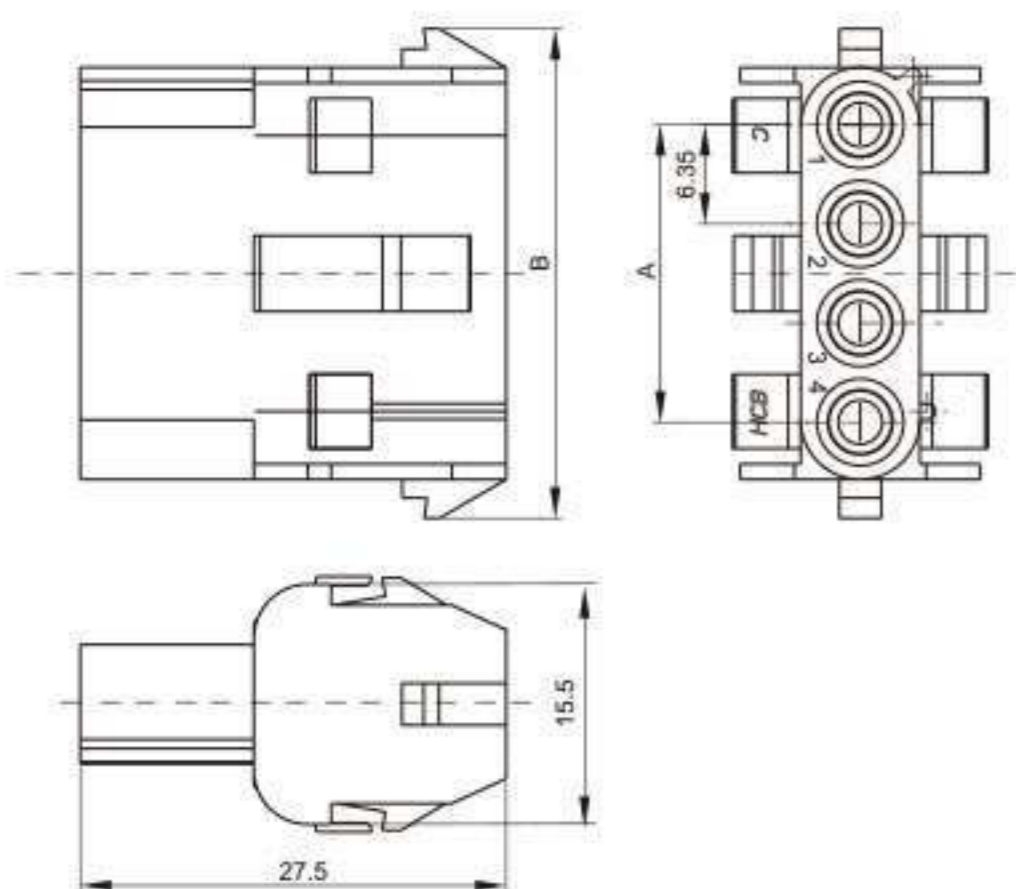
C63501-ANP(42021-NC) 四排



公端塑件 PLUG HOUSING

型号 Part No.	材质 Material	包装数量 Q'ty/bag	尺寸 Dimensions(mm)	
			A	B
C63501-A12P	PA66	0.2K	19.05	27.0

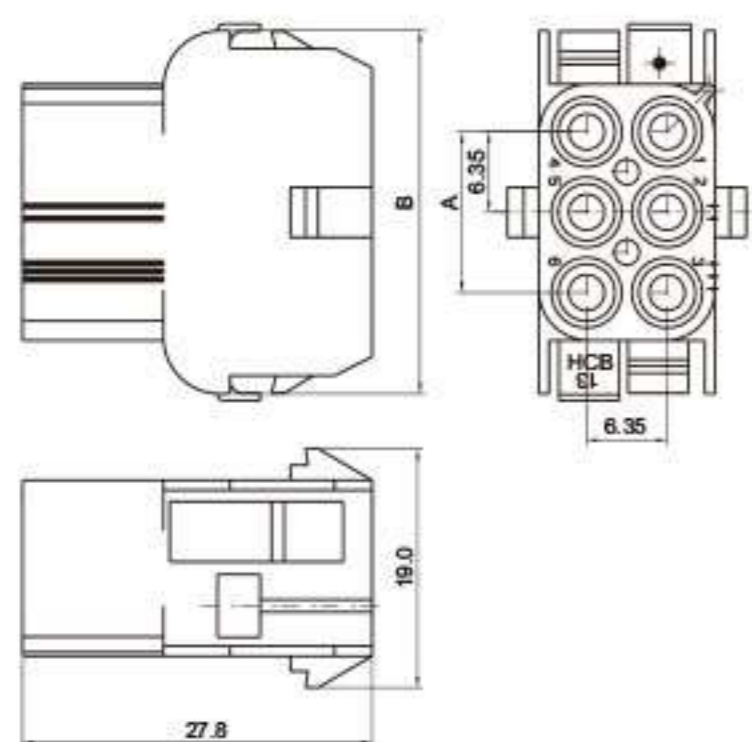
C63501-ANP(42022-NC) 单排



母端塑件 RECEPTACLE

型号 Part No.	材质 Material	包装数量 Q'ty/bag	尺寸 Dimensions(mm)	
			A	B
C63501-A02R	PA66	0.5K	6.35	19.2
C63501-A03R		0.2K	12.7	25.6
C63501-A04R		0.2K	19.05	31.6

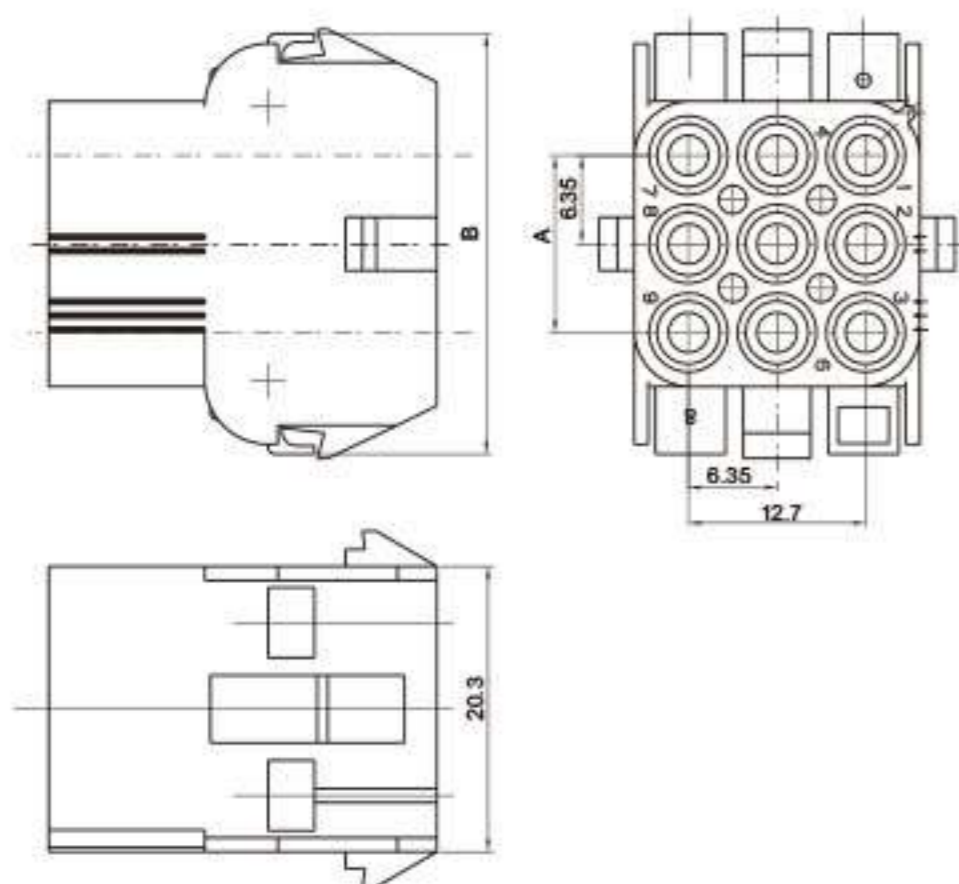
C63501-ANR(42022-NC)



母端塑件 RECEPTACLE

型号 Part No.	材质 Material	包装数量 Q'ty/bag	尺寸 Dimensions(mm)	
			A	B
C63501-A06R	PA66	0.2K	12.7	28.9

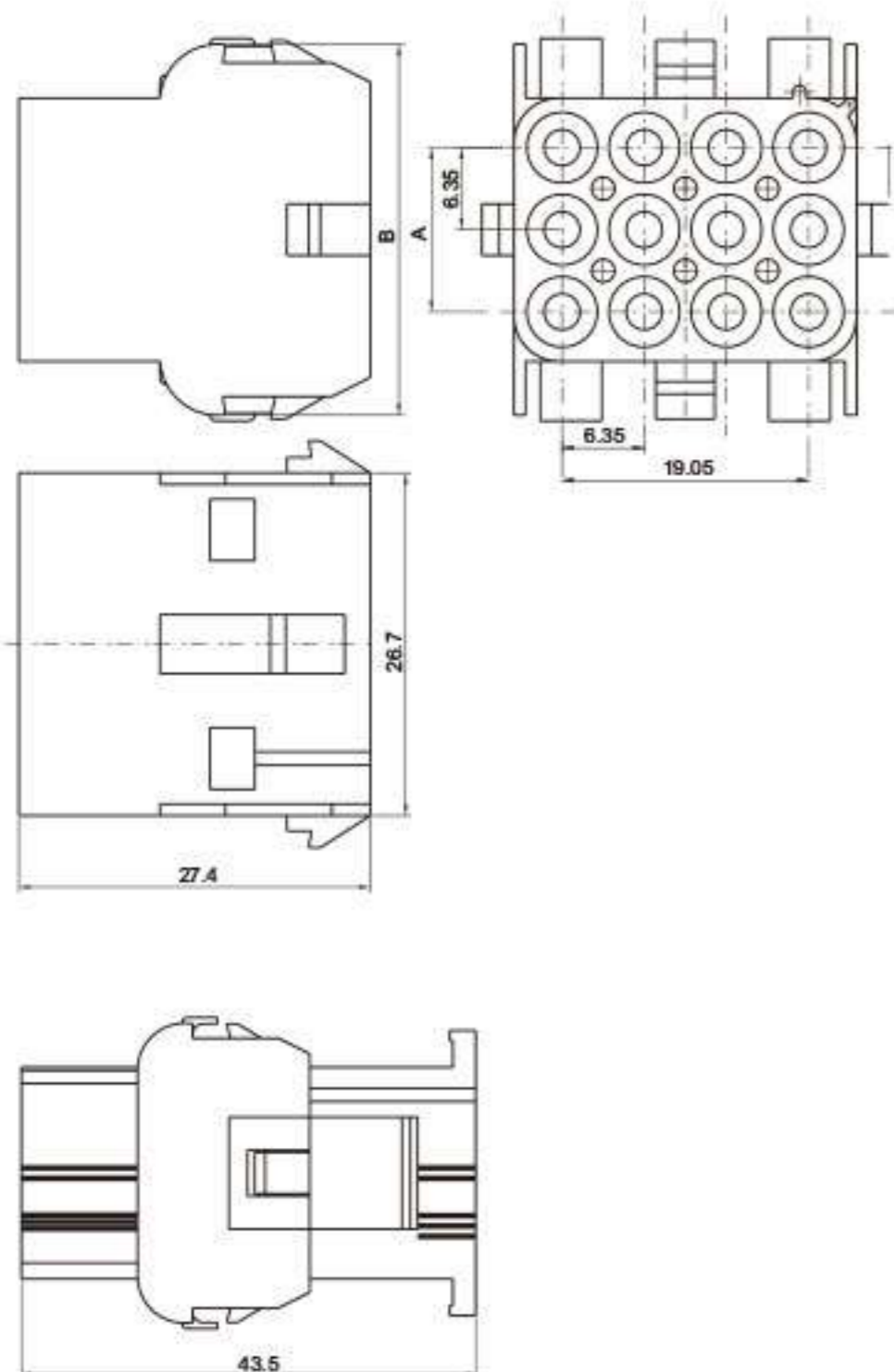
C63501-ANR(42022-NC)



母端塑件 RECEPTACLE

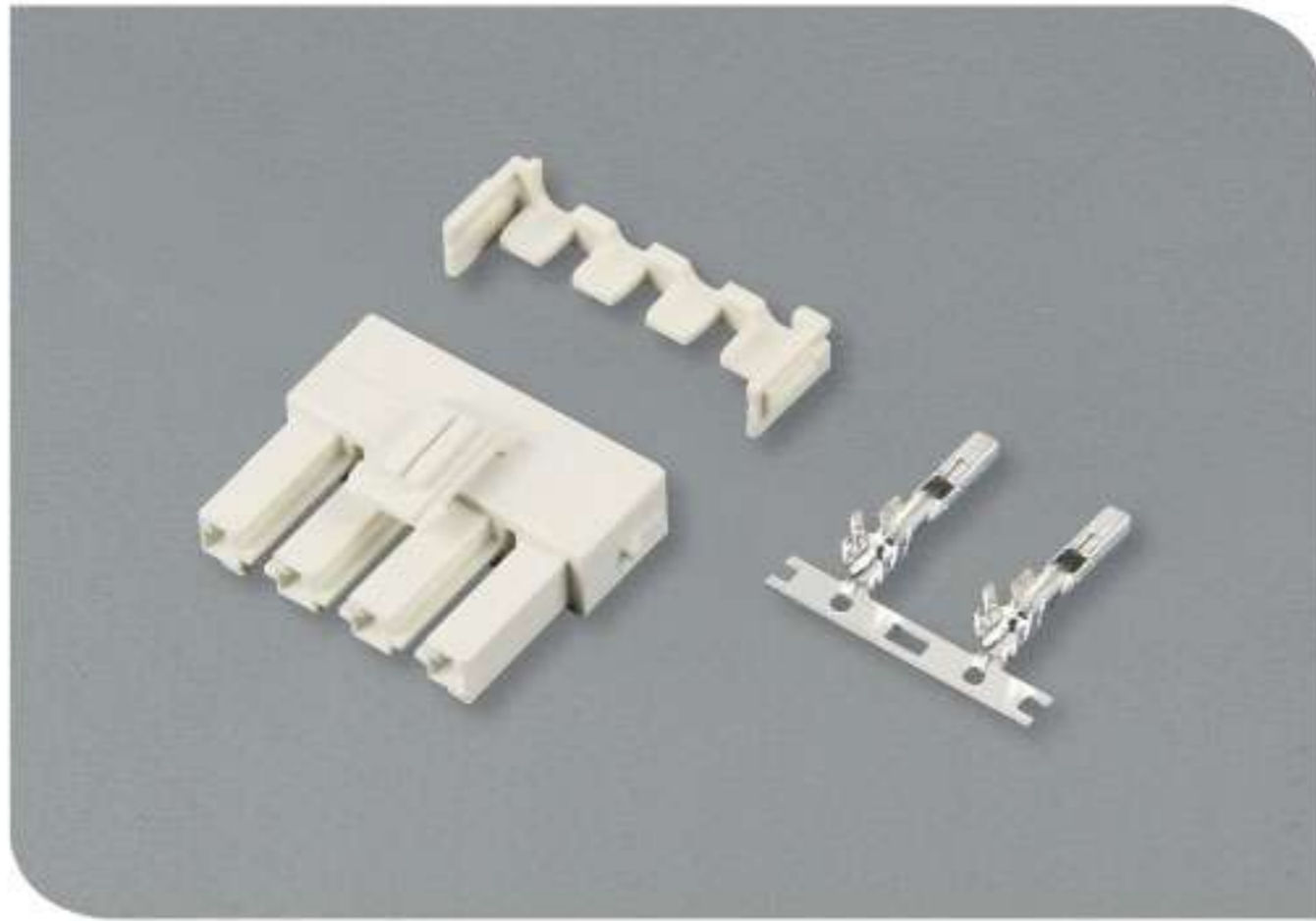
型号 Part No.	材质 Material	包装数量 Q'ty/bag	尺寸 Dimensions(mm)	
			A	B
C63501-A09R	PA66	0.2K	12.7	29.8

C63501-ANR(42022-NC)



母端塑件 RECEPTACLE

型号 Part No.	材质 Material	包装数量 Q'ty/bag	尺寸 Dimensions(mm)	
			A	B
C63501-A12R	PA66	0.2K	12.7	31.4

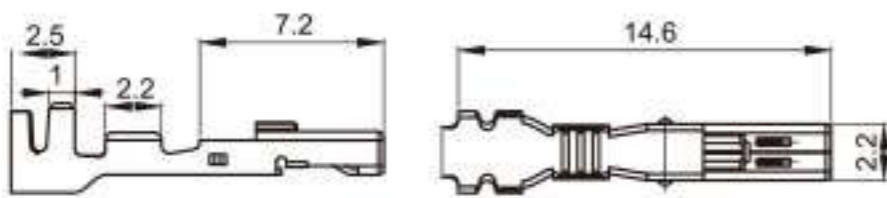


■ 技术参数 SPECIFICATIONS

- 线数 Number of positions: 3~4
- 适用线规 Applicable wires: 26~22AWG
- 温度范围 Temperature range: -40°C~105°C
(including temperature rise in applying electrical current)
- 额定电压 Voltage rating: 250V AC, DC Max.
- 额定电流 Current rating: 3A AC, DC Max.
- 接触电阻 Contact resistance: $\leq 10\text{m}\Omega$
- 绝缘电阻 Insulation resistance: $\geq 1000\text{M}\Omega$
- 耐压 Withstanding voltage: 2200V AC/minute

*Compliant with RoHS.

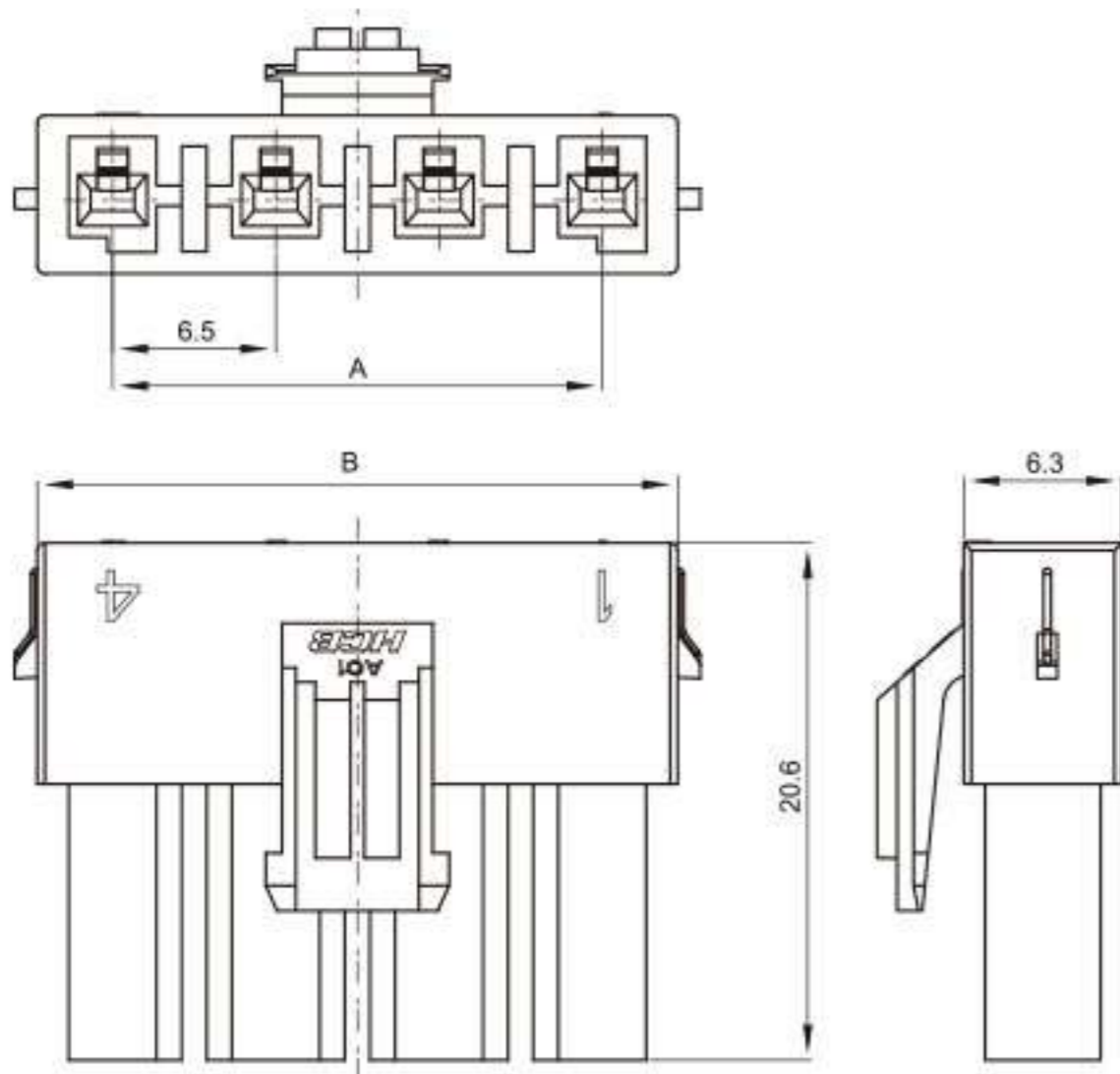
C39602-11PT(2232902-1)



端子 TERMINAL

型号 Part No.	材质 Material	料厚 Thickness	线规 Applicable wires		电线外径 Wire insulation O.D. mm	镀层 Plating	包装数量 Q'ty/reel
			AWG#	线径 mm ²			
C39602-11PT	Phosphor bronze	0.25	26-22	0.13-0.33	1.3-1.7	Tin Plated	4K

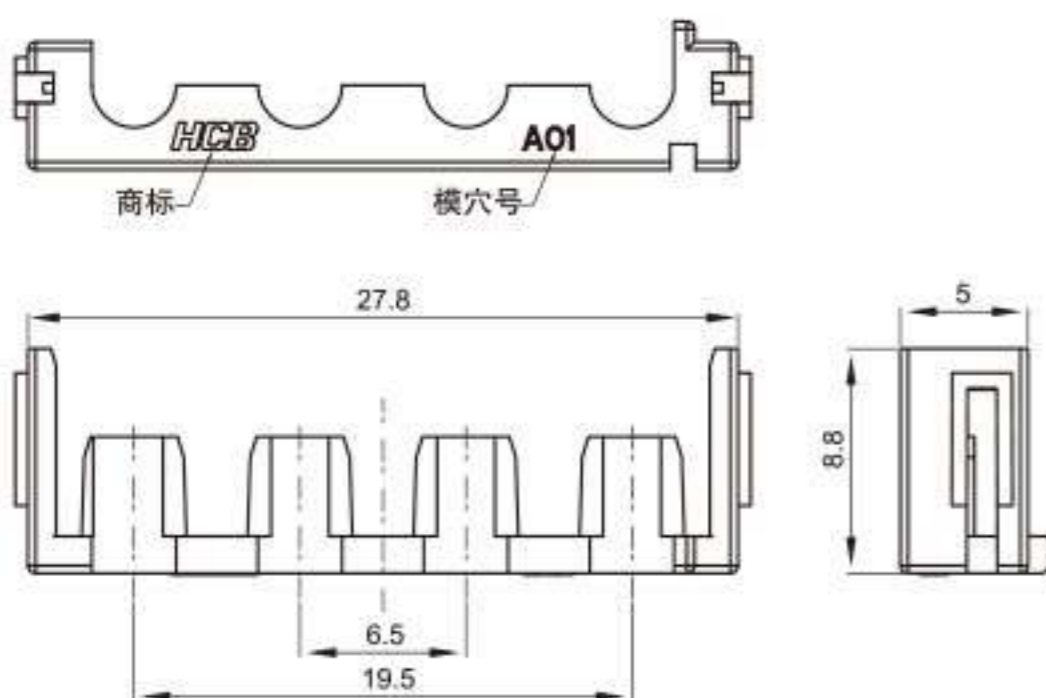
C65001-ANP(1799**-1)



公端塑件 PLUG HOUSING

型号 Part No.	材质 Material	包装数量 Q'ty/bag	尺寸 Dimensions(mm)	
			A	B
C65001-A03P	PA66	0.5K	13.0	19.0
C65001-A04P			19.5	25.5

C65001-A04S(316063-1)



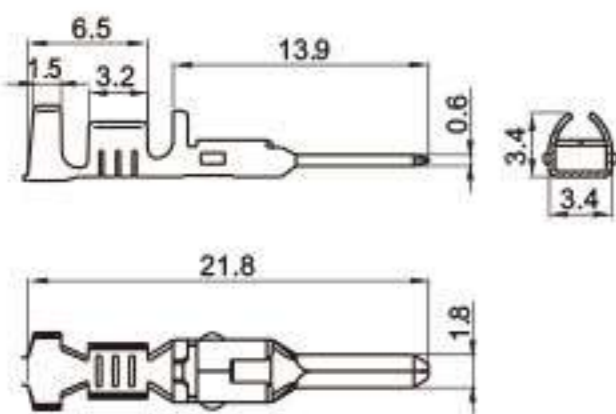


■ 技术参数 SPECIFICATIONS

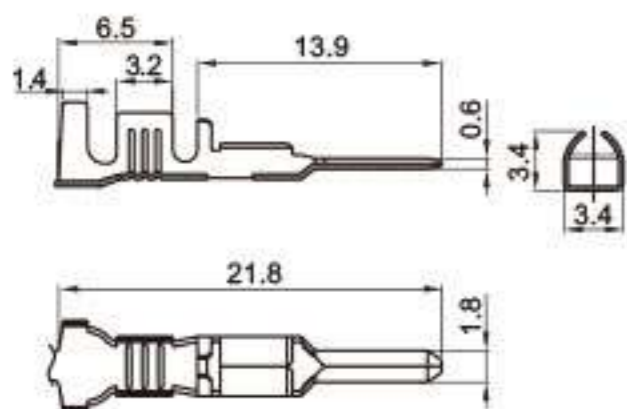
- 线数 Number of positions: 2~10
- 适用线规 Applicable wires: 26~16AWG
- 温度范围 Temperature range: -40°C~05°C
(including temperature rise in applying electrical current)
- 额定电压 Voltage rating: 250V AC, DC Max.
- 额定电流 Current rating: 7A AC, DC Max.
- 接触电阻 Contact resistance: $\leq 10\text{m}\Omega$
- 绝缘电阻 Insulation resistance: $\geq 1000\text{M}\Omega$
- 耐压 Withstanding voltage: 1500V AC/minute

*Compliant with RoHS.

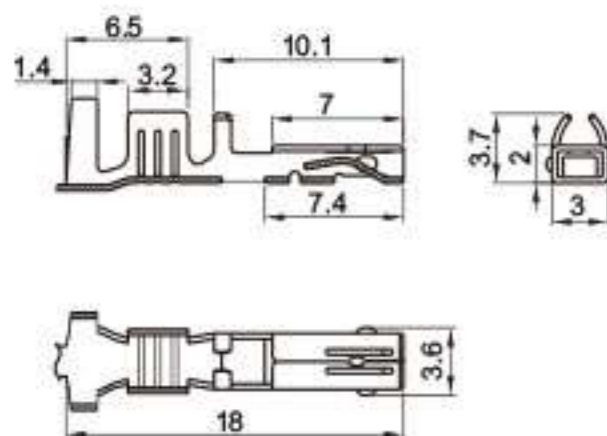
C35001-0*RT(35745)



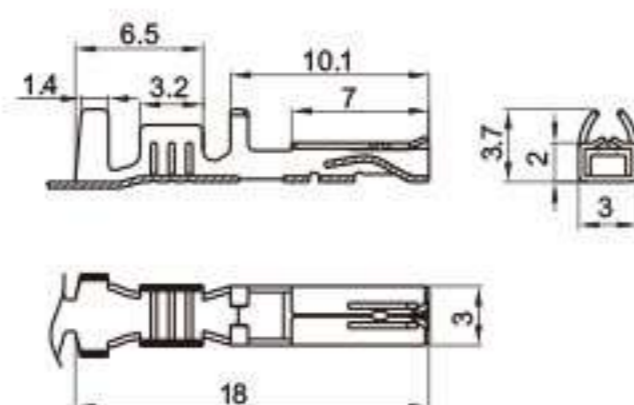
C35001-1*RT(35747)



C39602-0*RT(35746)



C39602-1*RT(35748)

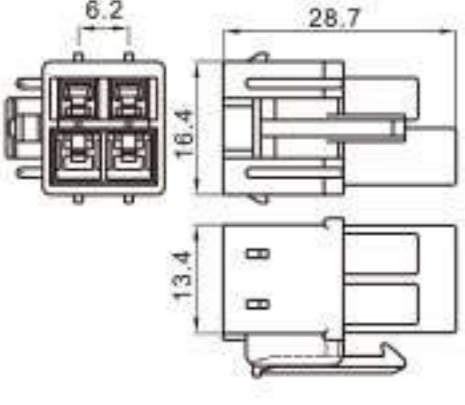
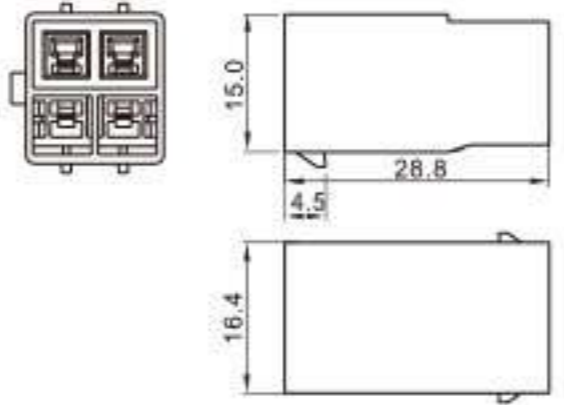
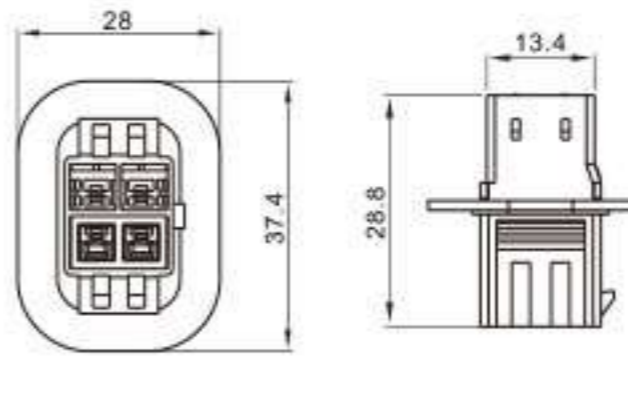
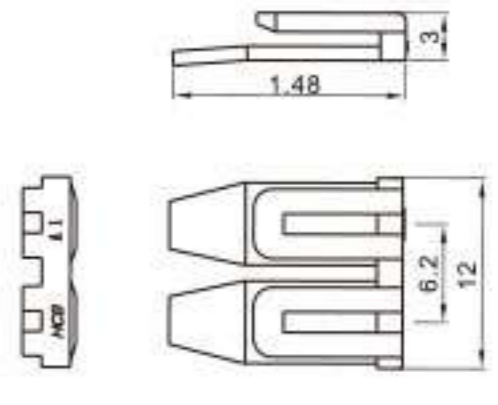
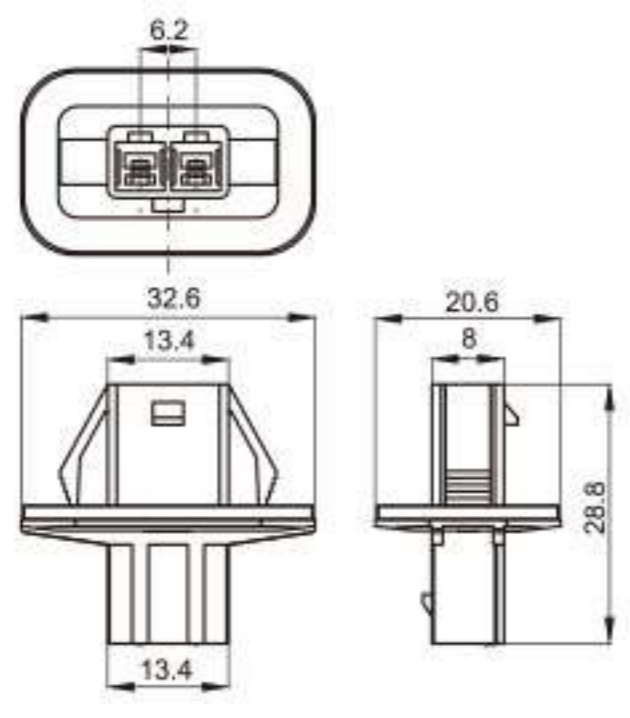
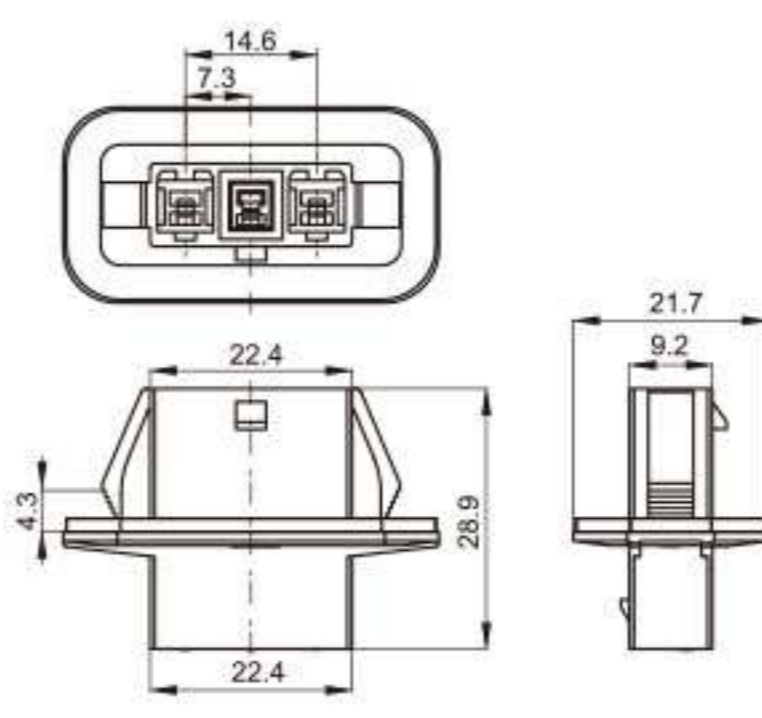
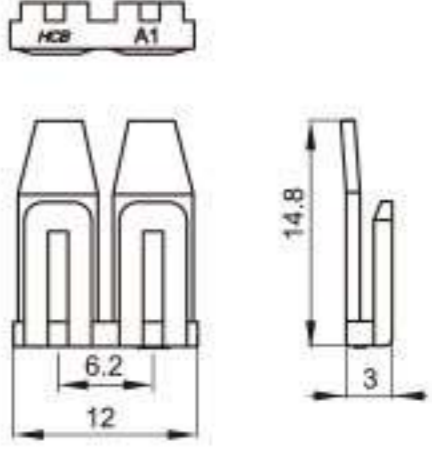
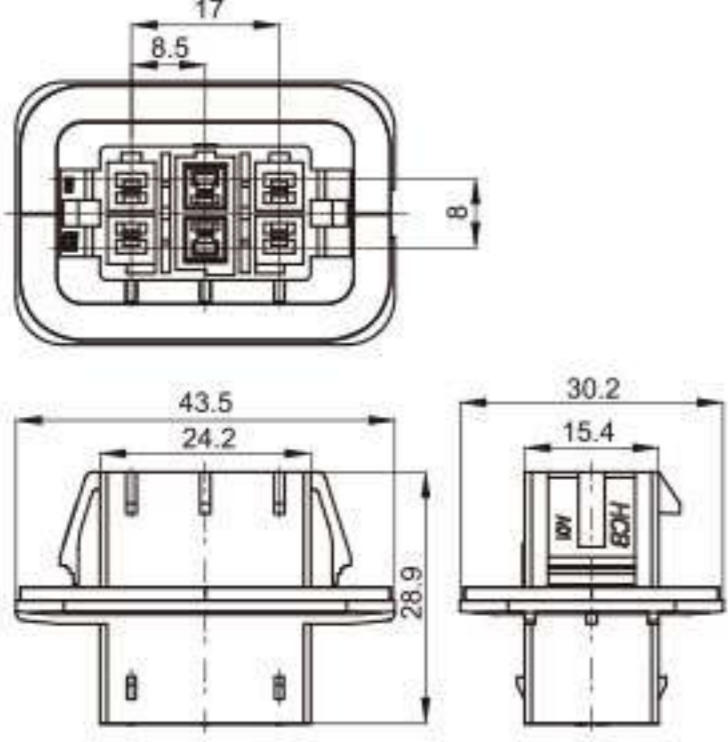
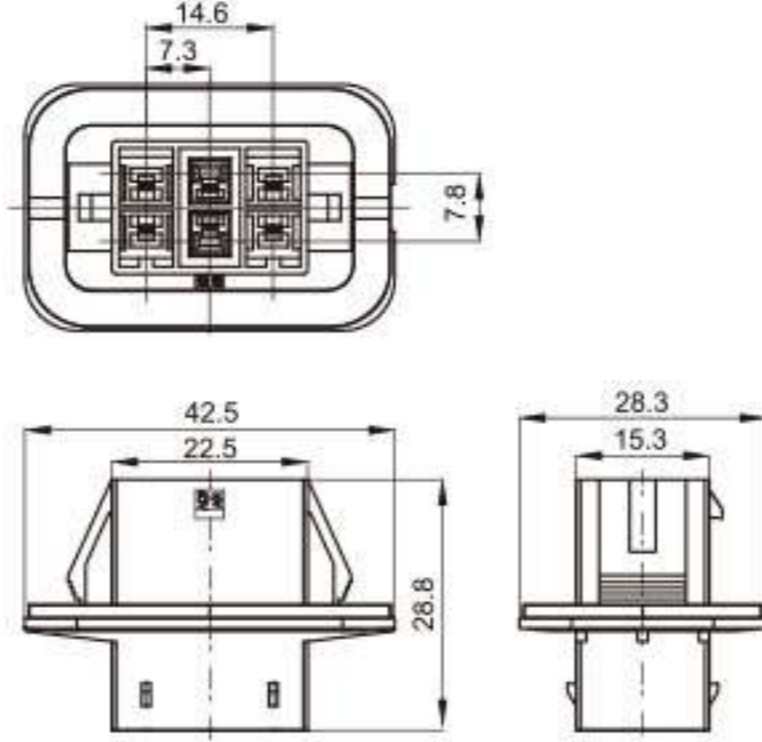
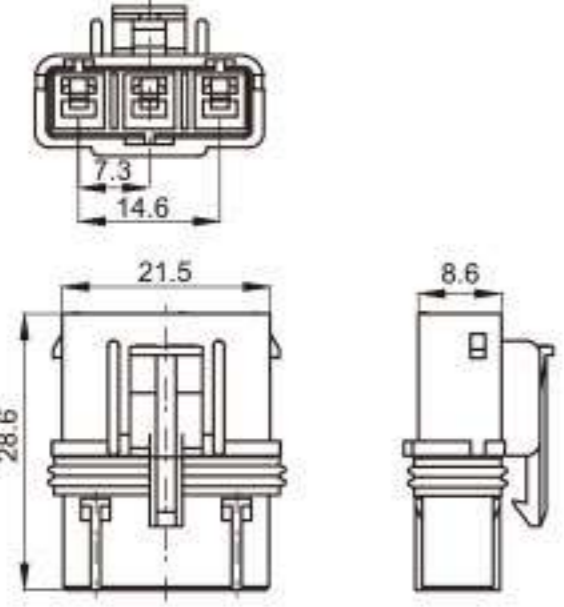
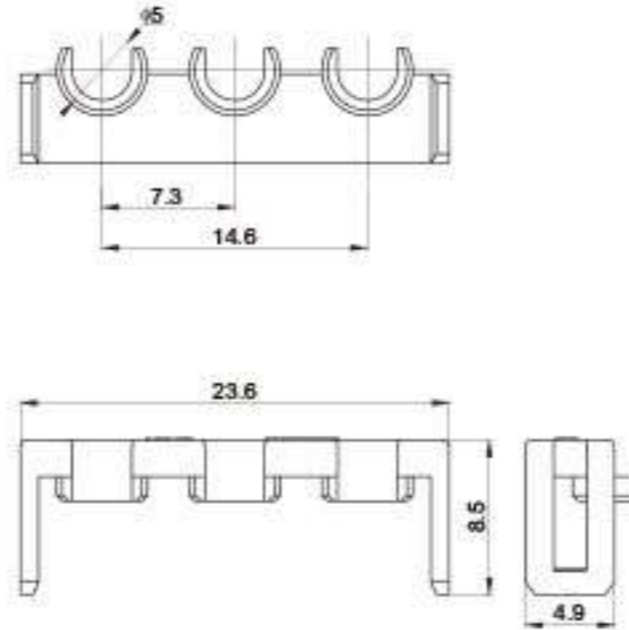
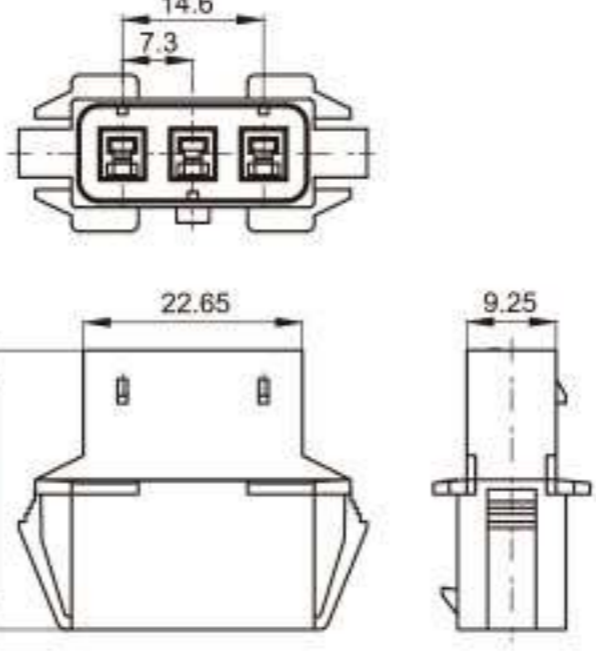
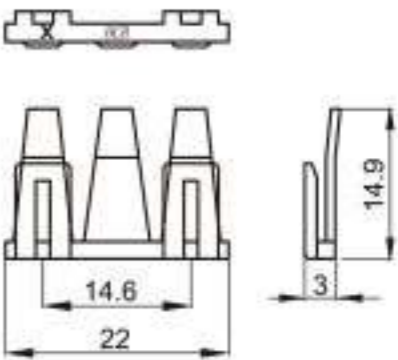


端子 TERMINAL

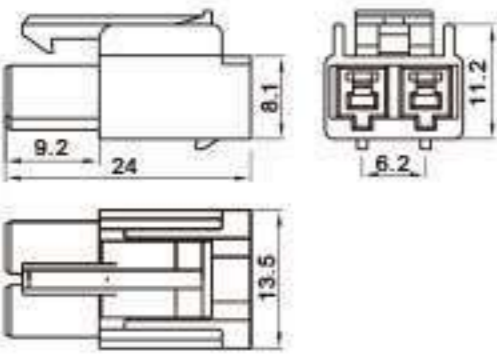
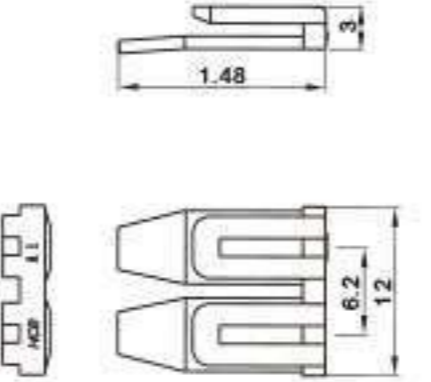
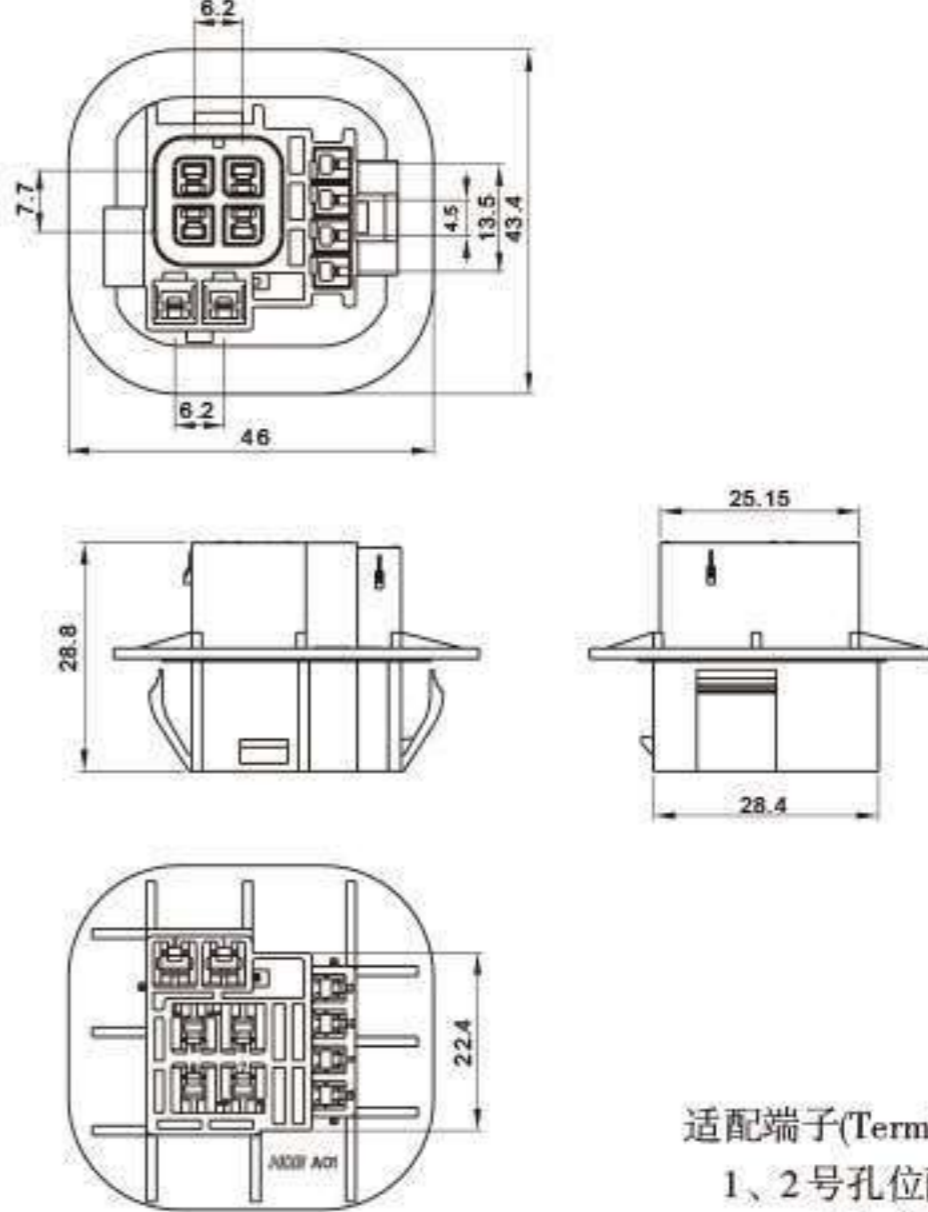
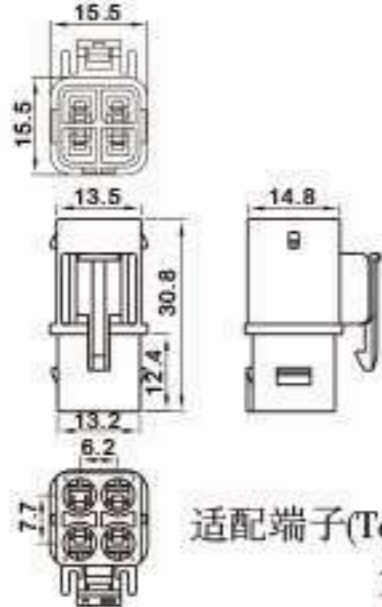
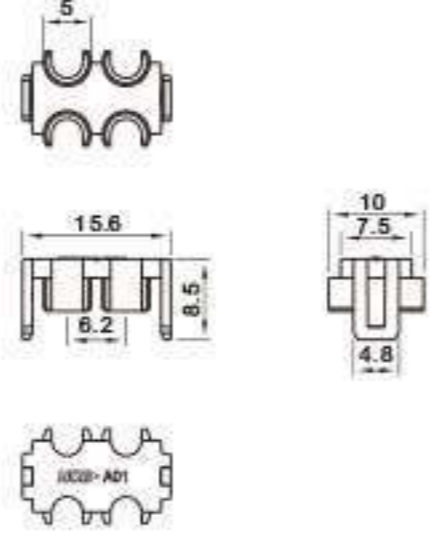
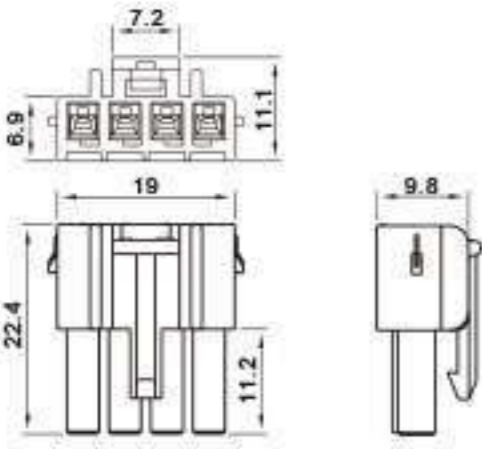
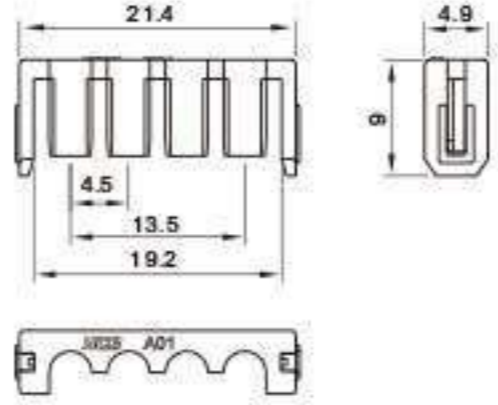
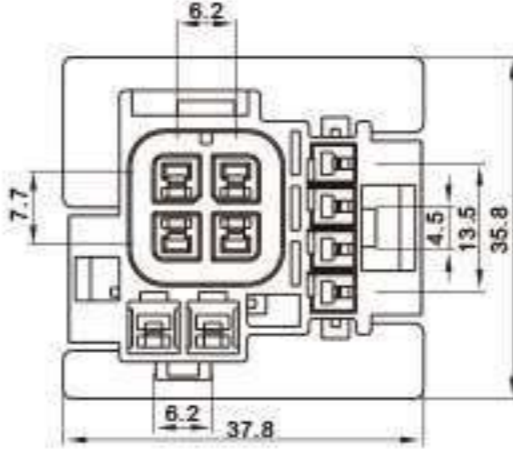
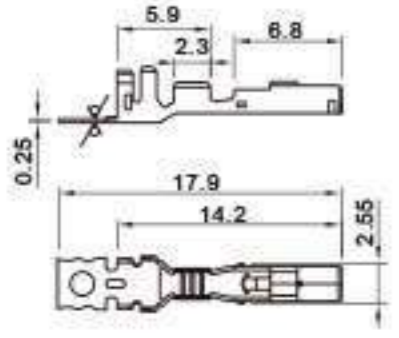
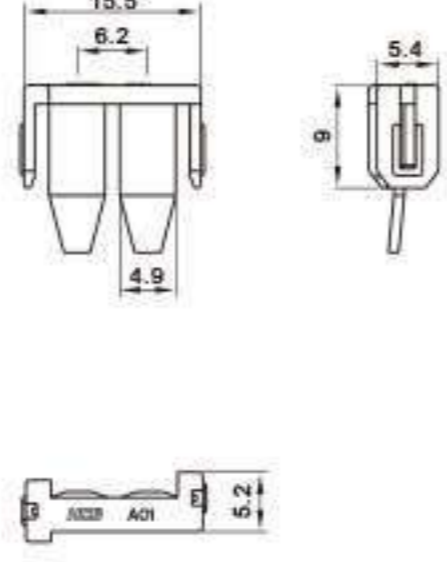
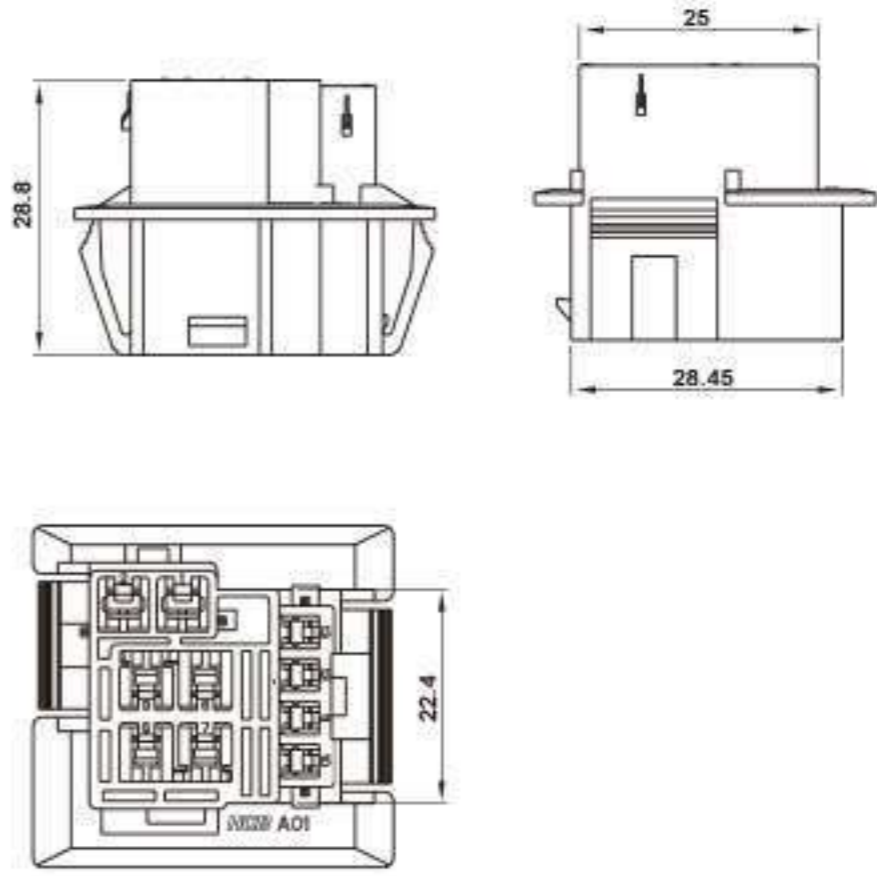
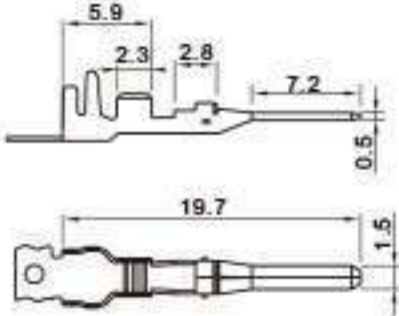
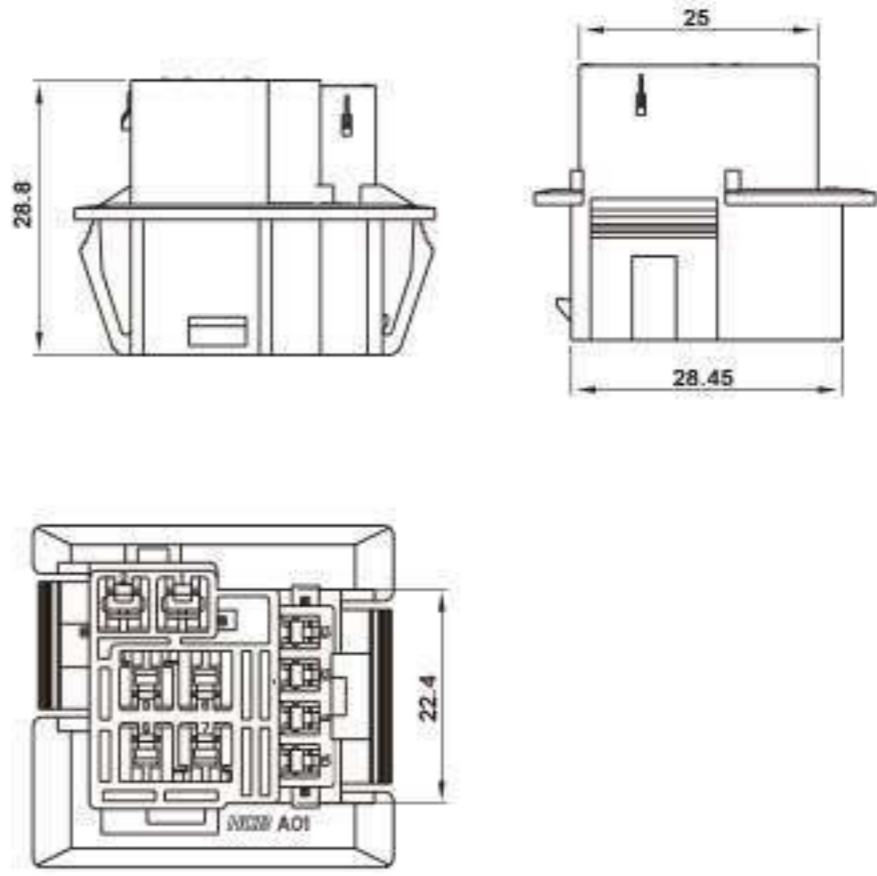
型号 Part No.	材质 Material	料厚 Thickness	线规 Applicable wires		电线外径 Wire insulation O.D. mm	镀层 Plating	包装数量 Q'ty/reel
			AWG#	线径 mm ²			
C35001-01RT	Phosphor bronze	0.3	26-22	0.13-0.33	1.3-1.5	Tin Plated	4K
C35001-02RT	Phosphor bronze	0.3	22-18	0.33-0.75	1.5-2.7	Tin Plated	3K
C35001-03RT	Phosphor bronze	0.3	18-16	0.75-1.25	2.7-3.5	Tin Plated	3K
C35001-04RT	Phosphor bronze	0.3	20+18+18+18	/	/	Tin Plated	2.5K
C35001-11RT	Phosphor bronze	0.3	26-22	0.13-0.33	1.3-1.5	Tin Plated	4K
C35001-12RT	Phosphor bronze	0.3	26-22	0.33-0.75	1.5-2.7	Tin Plated	3K
C35001-13RT	Phosphor bronze	0.3	26-22	0.75-1.25	2.7-3.5	Tin Plated	3K
C35001-14RT	Phosphor bronze	0.3	20+18+18+18	/	/	Tin Plated	2.5K
C35001-01PT	Phosphor bronze	0.3	26-22	0.13-0.33	1.3-1.5	Tin Plated	4K
C35001-02PT	Phosphor bronze	0.3	26-22	0.33-0.75	1.5-2.7	Tin Plated	3K
C35001-03PT	Phosphor bronze	0.3	26-22	0.75-1.25	2.7-3.5	Tin Plated	3K
C35001-04PT	Phosphor bronze	0.3	20+18+18+18	/	/	Tin Plated	2.5K
C35001-11PT	Phosphor bronze	0.3	26-22	0.13-0.33	1.3-1.5	Tin Plated	4K
C35001-12PT	Phosphor bronze	0.3	26-22	0.33-0.75	1.5-2.7	Tin Plated	3K
C35001-13PT	Phosphor bronze	0.3	26-22	0.75-1.25	2.7-3.5	Tin Plated	3K
C35001-14PT	Phosphor bronze	0.3	20+18+18+18	/	/	Tin Plated	2.5K

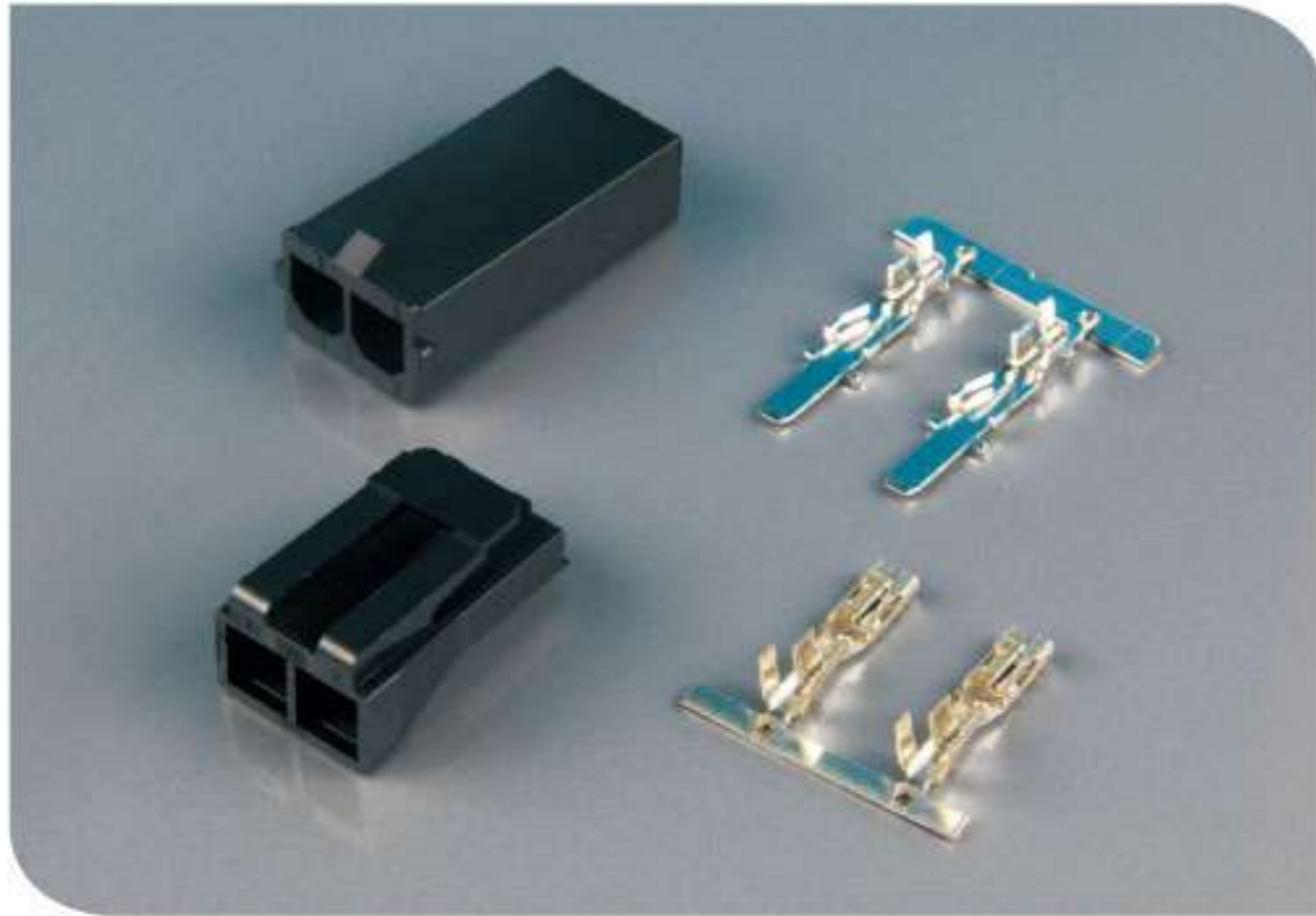
<p>C35001-A03PA(35151-0310)</p> <p>适配端子(Terminal): 1# 35746、2# 35745、3# 35748</p>	<p>C35001-A03RF(35150-0300)</p> <p>适配端子(Terminal): 1# 35745、2# 35746、3# 35747</p>	<p>C35001-A03R(35150-0310)</p> <p>适配端子(Terminal): 1# 35745、2# 35746、3# 35747</p>	<p>C35001-A03S(35150-0390)</p>		
<p>C35001-A04P(35151-0410)</p> <p>适配端子(Terminal): 1# 35746、2# 35748、3# 35745 4# 35747</p>	<p>C35001-A04RF(35150-0400)</p> <p>适配端子(Terminal): 1# 35745、2# 35747、3# 35746 4# 35748</p>	<p>C35001-A04R(35150-0410)</p> <p>适配端子(Terminal): 1# 35745、2# 35747、3# 35746 4# 35748</p>	<p>C35001-A02S(35150-0290)</p>		
<p>C35001-A06P(35151-0610)</p> <p>适配端子(Terminal): 1# 35748、2# 35745、3# 35746 4# 35746、5# 35745、6# 35748</p>	<p>C35001-A06RF(35150-0600)</p> <p>适配端子(Terminal): 1# 35748、2# 35745、3# 35746 4# 35746、5# 35745、6# 35748</p>	<p>C35001-A06R(35150-0610)</p> <p>适配端子(Terminal): 1# 35747、2# 35746、3# 35745 4# 35745、5# 35746、6# 35747</p>	<p>C35001-A03S(35150-0390)</p>		
<p>C35001-D02P(35965-9210)</p> <p>适配端子(Terminal): 1# 35745</p>	<p>C35001-B02S(35965-0290)</p>	<p>C35001-F02P(35181-0210)</p> <p>适配端子(Terminal): 1# 35745、2# 35745</p>	<p>C35001-A01S(35150-0190)</p>	<p>C35001-B02R(35180-0200)</p>	<p>C35001-A01S(35150-0190)</p>
<p>C35001-C02P(35965-0200/9210)</p> <p>适配端子(Terminal): 1# 35746、2# 35745</p>	<p>C35001-B02S(35965-0290)</p>	<p>C35001-G02P(35181-0200/0210)</p> <p>适配端子(Terminal): 1# 35746、2# 35745</p>	<p>C35001-A01S(35150-0190)</p>	<p>C35001-B04R(35180-0400)</p> <p>适配端子(Terminal): 1# 35745、2# 35747 3# 35746、4# 35748</p>	<p>C35001-A01S(35150-0190)</p>

<p>C35001-A02P(35151-0210)</p>	<p>C35001-A02S(35150-0290)</p>	<p>C35001-A09R(35524-0920)</p> <p>适配端子(Terminal): 1# 35745、2# 35745 3# 35745、4# 35746、5#35747、6#35746 7#35746、8#35747、9#35747</p>		<p>C35001-A02S(35150-0290)</p>	
<p>C35001-A03P(35151-0310)</p>	<p>C35001-A03S(35150-0390)</p>	<p>C35001-B09R-2</p> <p>适配端子(Terminal): 1# 35745、2# 35745 3# 35745、4# 35746、5#35747、6#35746 7#35746、8#35747、9#35747</p>		<p>C35001-A03S(35150-0390)</p>	
<p>C35001-A04P(35151-0410)</p>	<p>C35001-A02S(35150-0290)</p>			<p>C35001-A03S(35150-0390)</p>	
<p>C35001-C02P(35965-0200/9210)</p> <p>适配端子(Terminal): 1# 35746、2# 35745</p>	<p>C35001-B02S(35965-0290)</p>	<p>C35001-F02P(35181-0210)</p> <p>适配端子(Terminal): 1# 35745、2# 35745</p>	<p>C35001-A01S(35150-0190)</p>	<p>C35001-1304R-2 35180-0400 贴膜</p> <p>适配端子(Terminal): 1# 35745、2# 35747 3#35746、4#35748</p>	<p>C35001-A01S(35150-0190)</p>
<p>C35001-C02P/D02P/E02P (35965-0200/9210/0220)</p> <p>适配端子(Terminal): 1# 35748、2# 35745 3#35746</p>	<p>C35001-B02S(35965-0290)</p>	<p>C35001-G02P/F02P/H02P (35181-0200/0210/0220)</p> <p>适配端子(Terminal): 1# 35745、2# 35745</p>	<p>C35001-A01S(35150-0190)</p>	<p>C35001-B06R(35180-0600)</p> <p>适配端子(Terminal): 1# 35747、2# 35746 3#35745</p>	<p>C35001-A01S(35150-0190)</p>

<p>C35001-A04P(35151-0410)</p>  <p>适配端子(Terminal): 1# 35746、2# 35748 3# 35745、4# 35747</p>	<p>C35001-A04RF(35150-0400)</p>  <p>适配端子(Terminal): 1# 35745、2# 35747 3# 35746、4# 35748</p>	<p>C35001-A04R-2(35150-0410-2)</p>  <p>适配端子(Terminal): 1# 35745、2# 35747 3# 35746、4# 35748</p>	<p>C35001-A02S(35150-0290)</p> 
<p>C35001-A03R-1</p>  <p>适配端子(Terminal): 35746</p>	<p>C35001-A03R-2</p>  <p>适配端子(Terminal): 35745/35746/35747</p>	<p>C35001-A(A03S)</p> 	
<p>C35001-B06R-2(35180-0600 贴膜)</p>  <p>适配端子(Terminal): 35745/35746/35747</p>	<p>C35001-A06R-2(35150-0610 贴膜)</p>  <p>适配端子(Terminal): 35745/35746/35747</p>		
<p>C35001-A03P-1</p>  <p>适配端子(Terminal): 35745 (不可用 37545-0310)</p>	<p>C35001-A03S-1(锁片)</p> 	<p>C35001-A02R-2</p>  <p>适配端子(Terminal): 35745</p>	<p>C35001-(A02S)</p> 

<p>C35001-C04P(35G-4P)</p> <p>适配端子(Terminal): 1#35747</p>	<p>C35001-C04S(35G-4S)</p>	<p>C35001-C04R(35G-4R)</p> <p>适配端子(Terminal): 1#35748</p>	<p>C35001-C04RF(35G-4RF)</p> <p>适配端子(Terminal): 1#35748</p>
<p>C35001-C04P(35G-4P)</p> <p>适配端子(Terminal): 1#35747</p>	<p>C35001-C04S(35G-4S)</p>	<p>C35001-C09R(35G-9R)</p>	
<p>C35001-A03P(35151-0310)</p> <p>适配端子(Terminal): 1#35746、 2#35745、3#35748</p>	<p>C35001-A03S(35150-0390)</p>	<p>适配端子(Terminal):35748-0*00(6、7、8、9孔), 35747-0*00(5孔) 35746-0*00(4孔), 35745-0*00(3、2、1孔)</p>	
<p>C35001-A02P(35151-0210)</p> <p>适配端子(Terminal): 1#35746、2#35746</p>	<p>C35001-A02S(35150-0290)</p>	<p>C35001-C05S(35G-5S)</p>	<p>C35001-C02S(35G-2S)</p>

<p>C35001-A02P(35151-0210)</p>  <p>适配端子(Terminal): 1#35746、2#35746</p>	<p>C35001-A02S(35150-0290)</p> 	<p>C35001-A10R(35G-10R)</p>  <p>适配端子(Terminal): 1#35747 1、2号孔位配 35745 端子 6、7、8、9号孔位配 35748 端子 10、11、12、13号孔位配 177917 端子</p>
<p>C35001-C04P(35G-4P)</p>  <p>适配端子(Terminal): 1#35747</p>	<p>C35001-C04S(35G-4S)</p> 	<p>适配端子(Terminal): 1#35747 1、2号孔位配 35745 端子 6、7、8、9号孔位配 35748 端子 10、11、12、13号孔位配 177917 端子</p>
<p>C35001-B04P</p>  <p>适配端子(Terminal): 177915/177914</p>	<p>C35001-D04S(35G-4S-2)</p> 	<p>C35001-B10R(35G-10R-1)</p> 
<p>C39602-02PT/01PT(177915/177914)</p> 	<p>C35001-D02S(35G-2S-2)</p> 	
<p>C39602-02RT(177917-1)</p> 		<p>适配端子(Terminal): 1、2号孔位配 35745 端子 6、7、8、9号孔位配 35748 端子 10、11、12、13号孔位配 177917 端子</p>

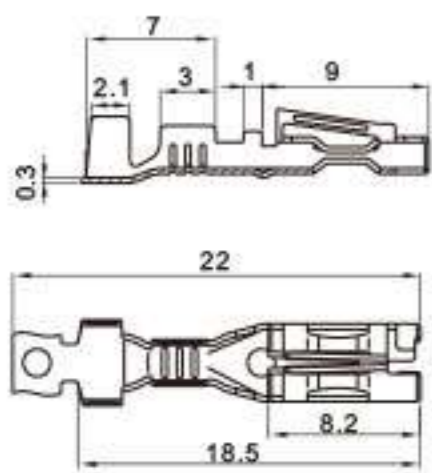


■ 技术参数 SPECIFICATIONS

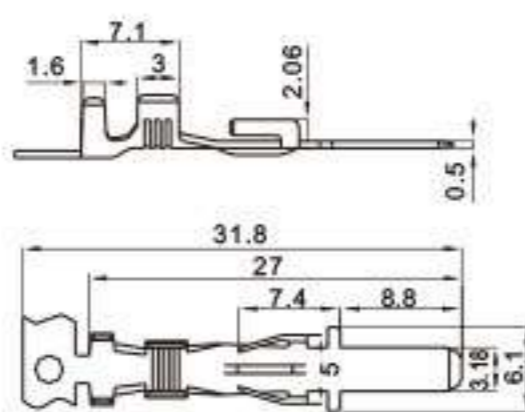
- 线数 Number of positions: 2
- 适用线规 Applicable wires: 18~16AWG
- 温度范围 Temperature range: -40°C~105°C
(including temperature rise in applying electrical current)
- 额定电压 Voltage rating: 250V AC, DC Max.
- 额定电流 Current rating: 12A AC, DC Max.
- 接触电阻 Contact resistance: ≤ 20mΩ
- 绝缘电阻 Insulation resistance: ≥ 500MΩ
- 耐压 Withstanding voltage: 800V AC/minute

*Compliant with RoHS.

C75001-03PT(43375-1001)



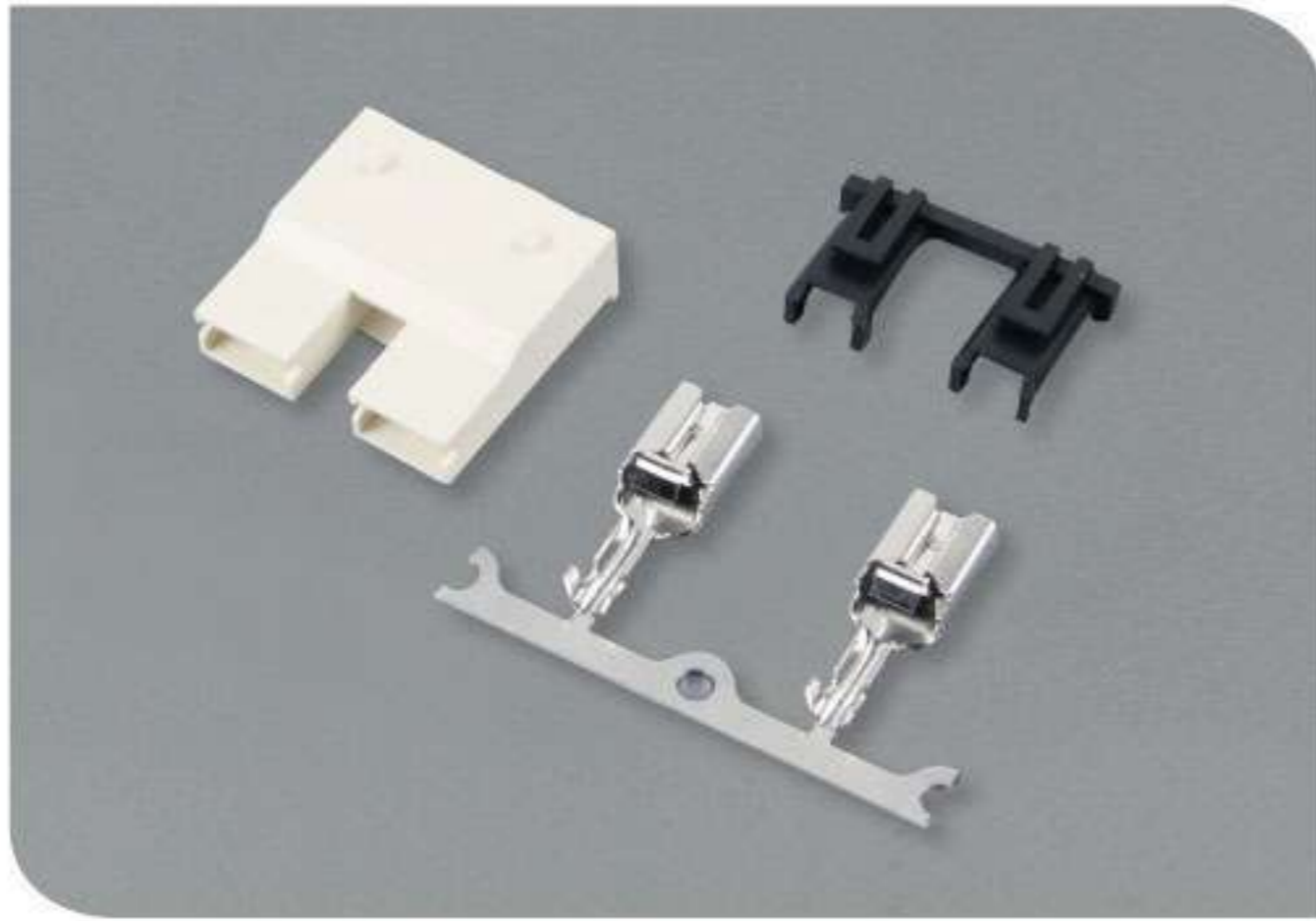
C75001-03RT(43178-1001)



端子 TERMINAL

型号 Part No.	材质 Material	料厚 Thickness	线规 Applicable wires		电线外径 Wire insulation O.D. mm	镀层 Plating	包装数量 Q'ty/reel
			AWG#	线径 mm ²			
C75001-02PT	Phosphor bronze	0.2	20-20	0.13-0.22	1.5-1.7	Tin Plated	5K
C75001-03PT	Phosphor bronze	0.2	18-16	0.33-0.75	1.7-2.8	Tin Plated	5K
C75001-03RT	Phosphor bronze	0.2	18-16	0.75-1.25	0.75-1.25	Tin Plated	5K
C75001-04RT	Phosphor bronze	0.2	18-16	0.75-1.25	0.75-1.25	Tin Plated	5K

孔位数 CIRCUITS	公端塑件 PLUG HOUSING	母端塑件 RECEPTACLE	锁片 TPA
2	<p>C75001-B02P(43335-2012)</p>	<p>C75001-A02R(43680-2002)</p>	<p>C75001-B02S(4335-0290)</p>
2	<p>C75001-A02P(43335-1002)</p>		

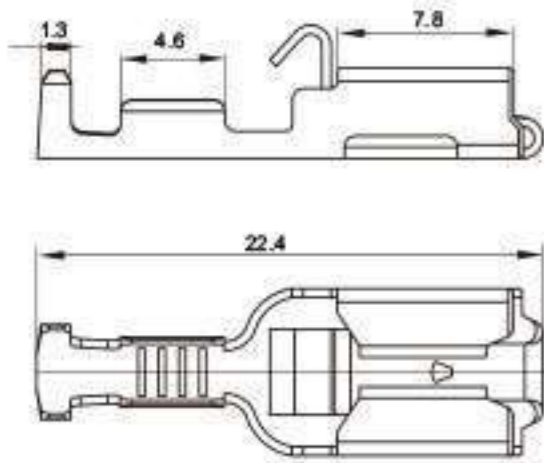


■ 技术参数 SPECIFICATIONS

- 线数 Number of positions: 2
- 适用线规 Applicable wires: 22~18AWG
- 温度范围 Temperature range: -40°C~105°C
(including temperature rise in applying electrical current)
- 额定电压 Voltage rating: 250V AC, DC Max.
- 额定电流 Current rating: 7A AC, DC Max.
- 接触电阻 Contact resistance: $\leq 10\text{m}\Omega$
- 绝缘电阻 Insulation resistance: $\geq 1000\text{M}\Omega$
- 耐压 Withstanding voltage: 1500V AC/minute

*Compliant with RoHS.

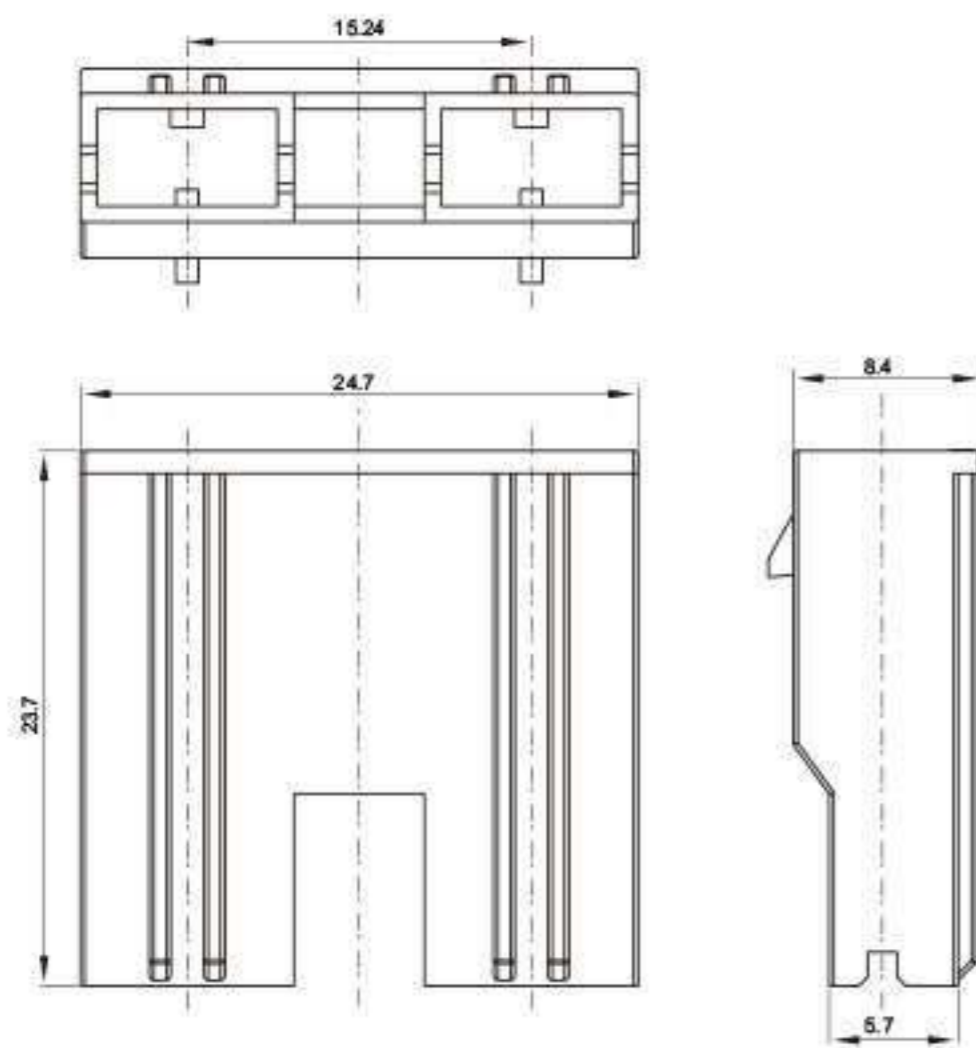
C15241-02PT(ST730869-3)



端子 TERMINAL

型号 Part No.	材质 Material	料厚 Thickness	线规 Applicable wires		电线外径 Wire insulation O.D. mm	镀层 Plating	包装数量 Q'ty/reel
			AWG#	线径 mm ²			
C15241-02PT	Phosphor bronze	0.4	22-18	0.33-0.75	1.5-2.8	Tin Plated	1.2K

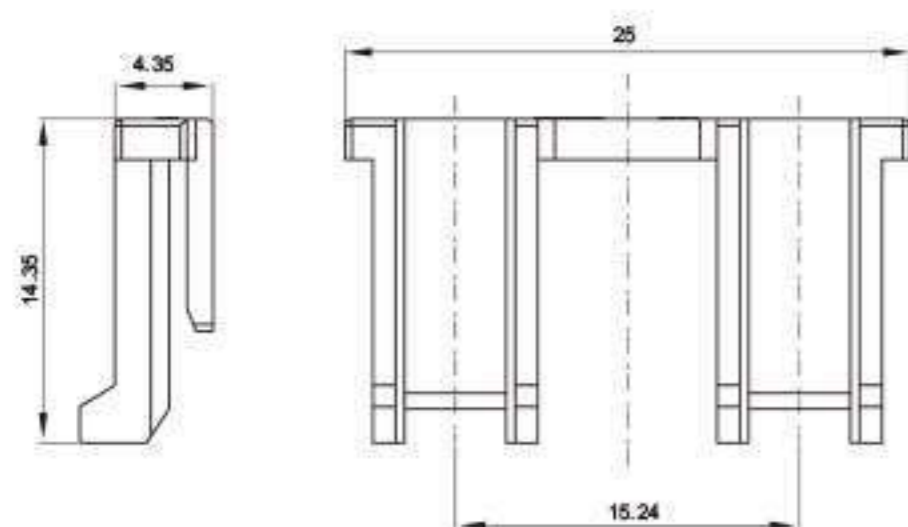
C15241-ANP(MG632202R)



公端塑件 PLUG HOUSING

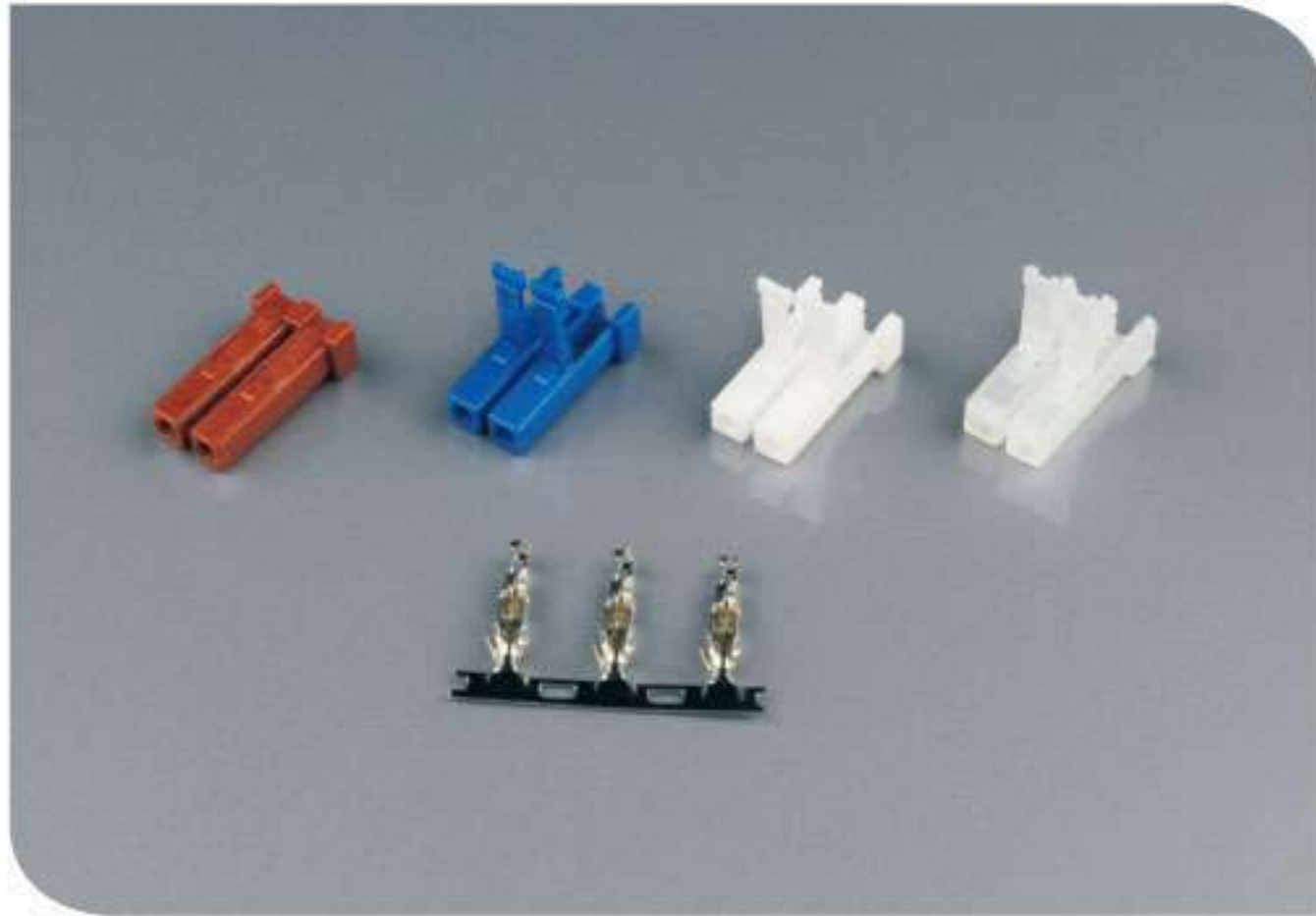
型号 Part No.	材质 Material	包装数量 Q'ty/bag	尺寸 Dimensions(mm)	
			A	B
C15241-A02P(MG632202R)	PA66	0.2K	15.24	24.7

C15241-ANS(MG632202R-RST)



锁片 TPA

型号 Part No.	材质 Material	包装数量 Q'ty/bag	尺寸 Dimensions(mm)	
			A	B
C15241-A02S(MG632202R-RST)	PA66	1K	15.24	25.0

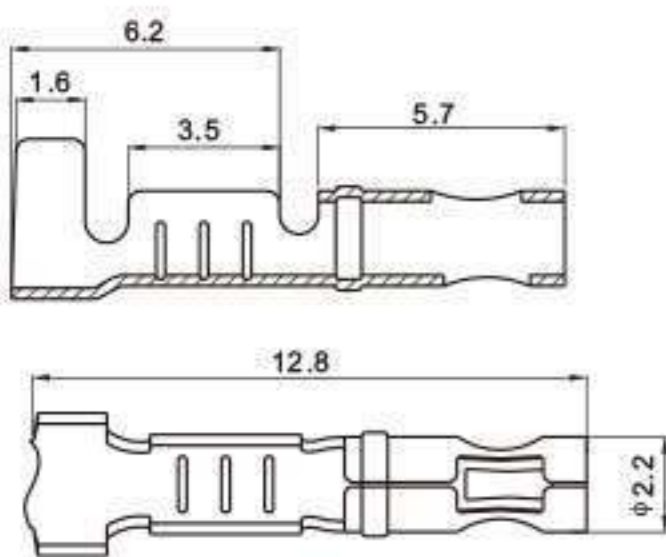


■ 技术参数 SPECIFICATIONS

- 线数 Number of positions: 2
- 适用线规 Applicable wires: 22~18AWG
- 温度范围 Temperature range: -40°C~105°C
(including temperature rise in applying electrical current)
- 额定电压 Voltage rating: 250V AC, DC Max.
- 额定电流 Current rating: 7A AC, DC Max.
- 接触电阻 Contact resistance: ≤ 10mΩ
- 绝缘电阻 Insulation resistance: ≥ 1000MΩ
- 耐压 Withstanding voltage: 500V AC/minute

*Compliant with RoHS.

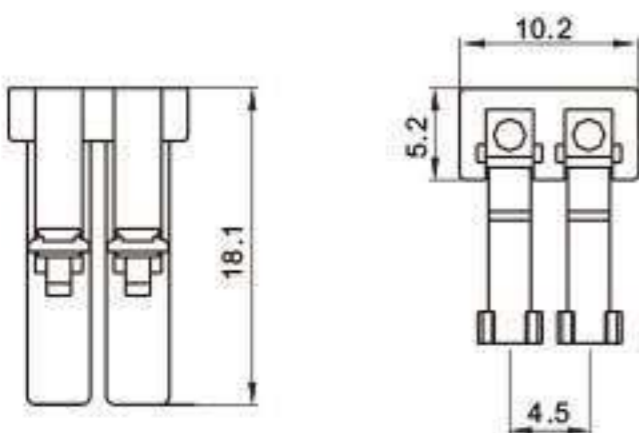
C45003-02PT(1.2 插簧)



端子 TERMINAL

型号 Part No.	材质 Material	料厚 Thickness	线规 Applicable wires		电线外径 Wire insulation O.D. mm	镀层 Plating	包装数量 Q'ty/reel
			AWG#	线径 mm ²			
C45003-02PT	Phosphor bronze	0.25	22-18	0.33-0.75	1.7-2.8	Tin Plated	4.5K

C45003-ANP(HCX1.2-NP)



公端塑件 PLUG HOUSING

型号 Part No.	材质 Material	包装数量 Q'ty/bag	尺寸 Dimensions(mm)	
			A	B
C45003-A02P	PA66	2K	2.5	7

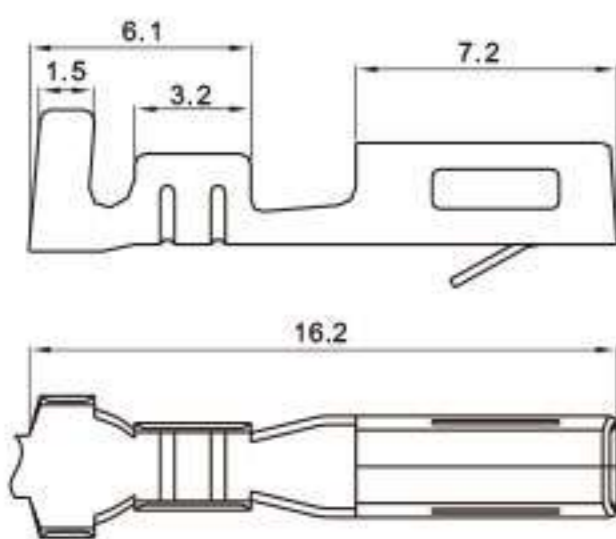


■ 技术参数 SPECIFICATIONS

- 线数 Number of positions: 1~3
- 适用线规 Applicable wires: 24~18AWG
- 温度范围 Temperature range: -40°C~105°C
(including temperature rise in applying electrical current)
- 额定电压 Voltage rating: 250V AC, DC Max.
- 额定电流 Current rating: 7A AC, DC Max.
- 接触电阻 Contact resistance: $\leq 20\text{m}\Omega$
- 绝缘电阻 Insulation resistance: $\geq 1000\text{M}\Omega$
- 耐压 Withstanding voltage: 1500V AC/minute

*Compliant with RoHS.

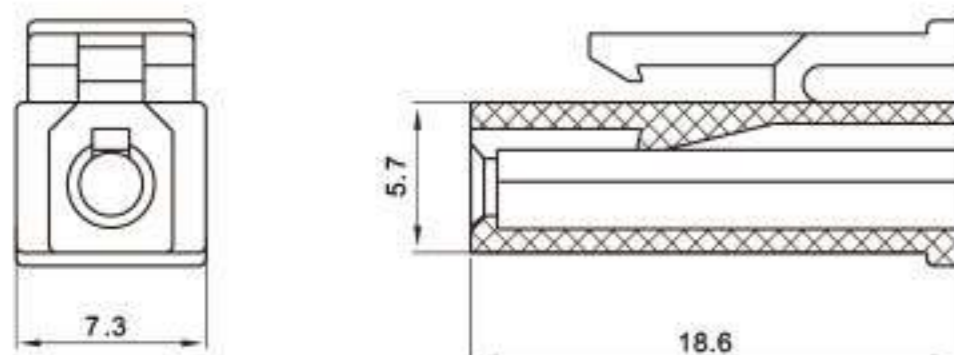
C80001-NPT(2.1 四方插)



端子 TERMINAL

型号 Part No.	材质 Material	料厚 Thickness	线规 Applicable wires		电线外径 Wire insulation O.D. mm	镀层 Plating	包装数量 Q'ty/reel
			AWG#	线径 mm ²			
C80001-01PT	Phosphor bronze	0.25	24-22	0.22-0.33	1.5-1.7	Tin Plated	4K
C80001-02PT	Phosphor bronze	0.25	22-18	0.33-0.75	1.7-2.8	Tin Plated	4K
C80001-12PT	Phosphor bronze	0.25	22-18	0.33-0.75	1.7-2.8	Tin Plated	4K
C80001-22PT	Phosphor bronze	0.25	22-18	0.33-0.75	1.7-2.8	Tin Plated	4K

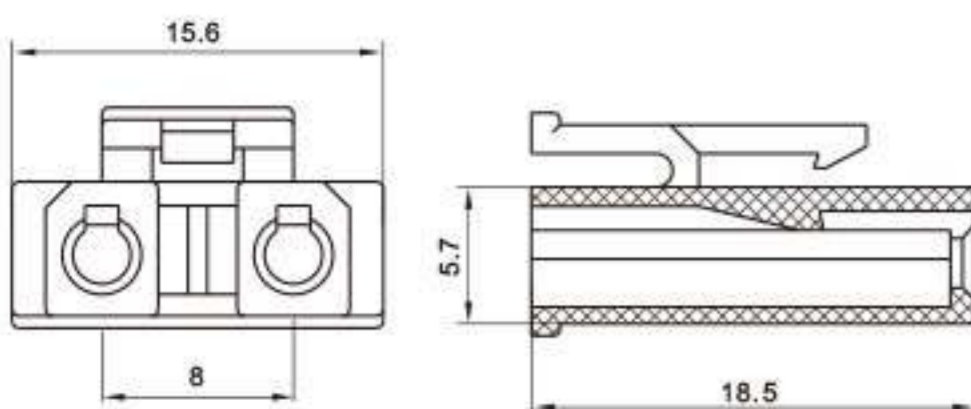
C80001-ANP(HCX2.1-NP)



公端塑件 PLUG HOUSING

型号 Part No.	材质 Material	包装数量 Q'ty/bag	尺寸 Dimensions(mm)	
			A	B
C80001-A01P	PA66	1K	NA	7.3

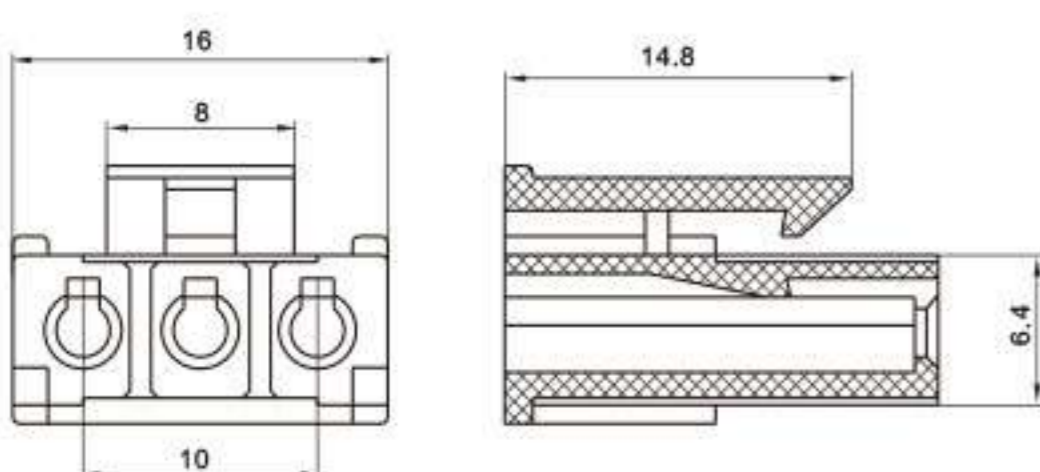
C80001-ANP(HCX2.1-NP)



公端塑件 PLUG HOUSING

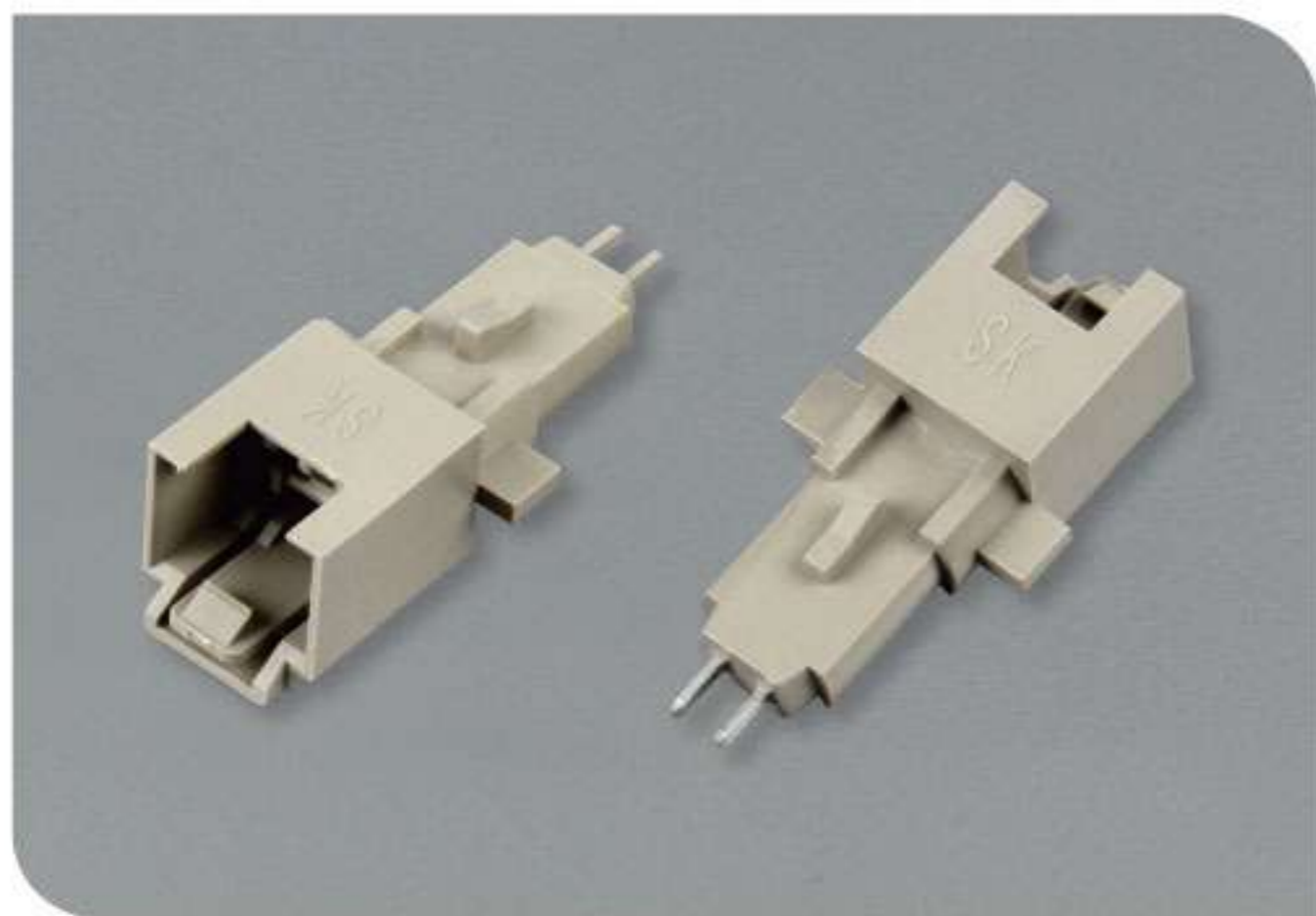
型号 Part No.	材质 Material	包装数量 Q'ty/bag	尺寸 Dimensions(mm)	
			A	B
C80001-A02P	PA66	1K	8.0	15.6

C80001-ANP(HCX2.1-NP)



公端塑件 PLUG HOUSING

型号 Part No.	材质 Material	包装数量 Q'ty/bag	尺寸 Dimensions(mm)	
			A	B
C80001-A03P	PA66	0.5K	10.0	16.0

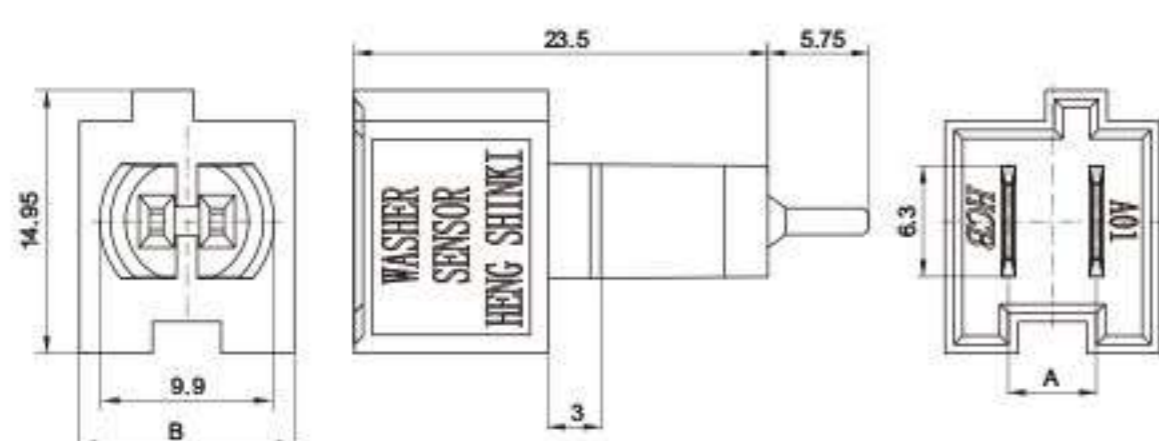


■ 技术参数 SPECIFICATIONS

- 线数 Number of positions: 2
- 适用线规 Applicable wires: 26~22AWG
- 温度范围 Temperature range: -40°C~105°C
(including temperature rise in applying electrical current)
- 额定电压 Voltage rating: 250V AC, DC Max.
- 额定电流 Current rating: 7A AC, DC Max.
- 接触电阻 Contact resistance: ≤ 10mΩ
- 绝缘电阻 Insulation resistance: ≥ 1000MΩ
- 耐压 Withstanding voltage: 1500V AC/minute

*Compliant with RoHS.

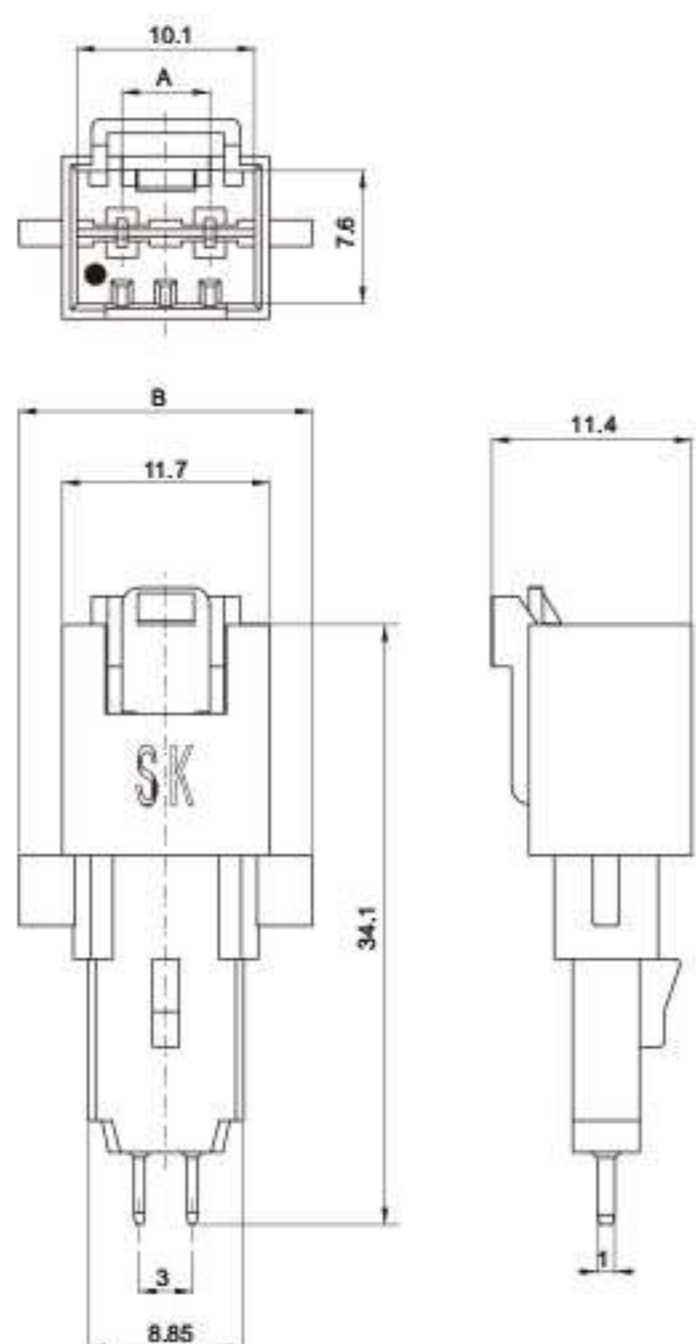
C50004-ANA(洗衣机插头)



公端塑件 PLUG HOUSING

型号 Part No.	材质 Material	包装数量 Q'ty/bag	尺寸 Dimensions(mm)	
			A	B
C50004-A02A	PA66	0.2K	5.0	12.2

C50005-ANA(洗衣机插头 2)



针座 WAFER

型号 Part No.	材质 Material	包装数量 Q'ty/bag	尺寸 Dimensions(mm)	
			A	B
C50005-A02A	PA66	0.2K	5.0	16.7

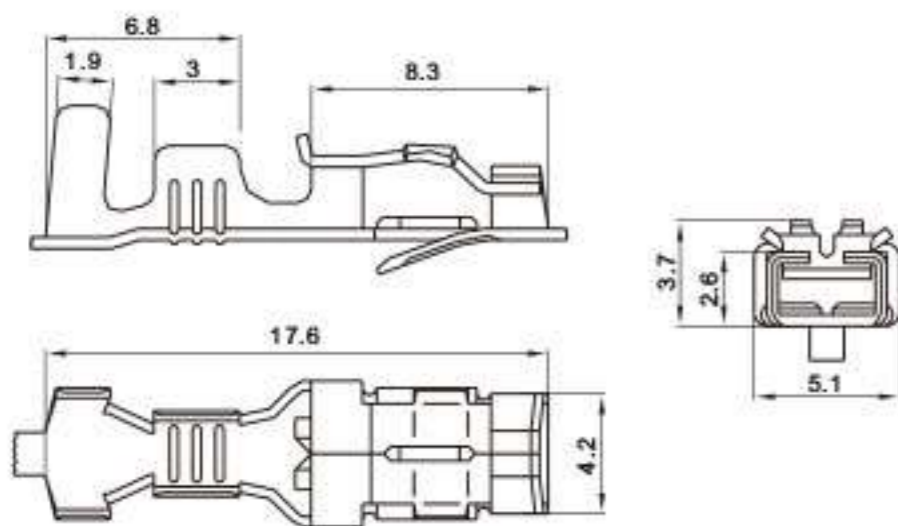


■ 技术参数 SPECIFICATIONS

- 线数 Number of positions: 3
- 适用线规 Applicable wires: 20~14AWG
- 温度范围 Temperature range: -40°C~105°C
(including temperature rise in applying electrical current)
- 额定电压 Voltage rating: 250V AC, DC Max.
- 额定电流 Current rating: 15A AC, DC Max.
- 接触电阻 Contact resistance: $\leq 20m\Omega$
- 绝缘电阻 Insulation resistance: $\geq 1000M\Omega$
- 耐压 Withstanding voltage: 2000V AC/minute

*Compliant with RoHS.

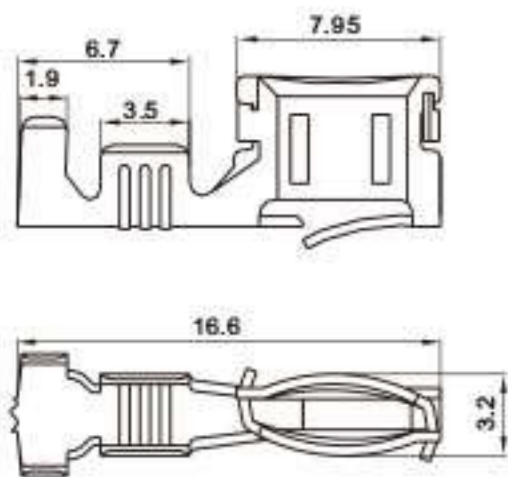
C58001-NPT(2.1 复杂型端子)



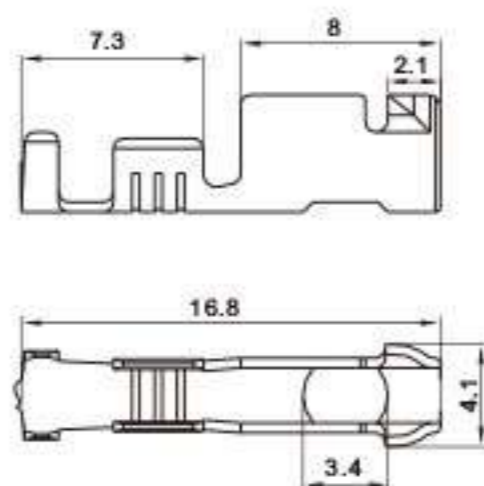
端子 TERMINAL

型号 Part No.	材质 Material	料厚 Thickness	线规 Applicable wires		电线外径 Wire insulation O.D. mm	镀层 Plating	包装数量 Q'ty/reel
			AWG#	线径 mm ²			
C58001-13PT	Phosphor bronze	0.4	18-16	0.75-1.25	2.8-3.5	Tin Plated	8K
C58001-14PT	Phosphor bronze	0.4	16-14	1.25-2.5	3.5-4.0	Tin Plated	8K

C58001-12PT(SCS1-PT)



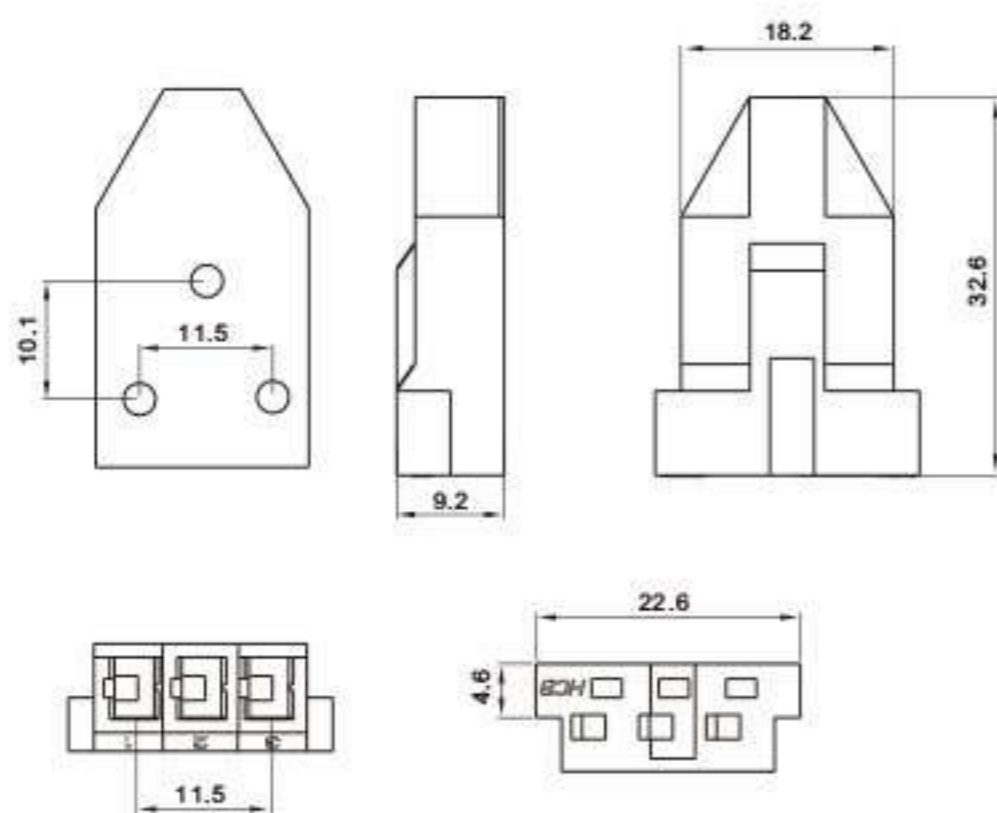
C58001-03PT(SCS3-PT)



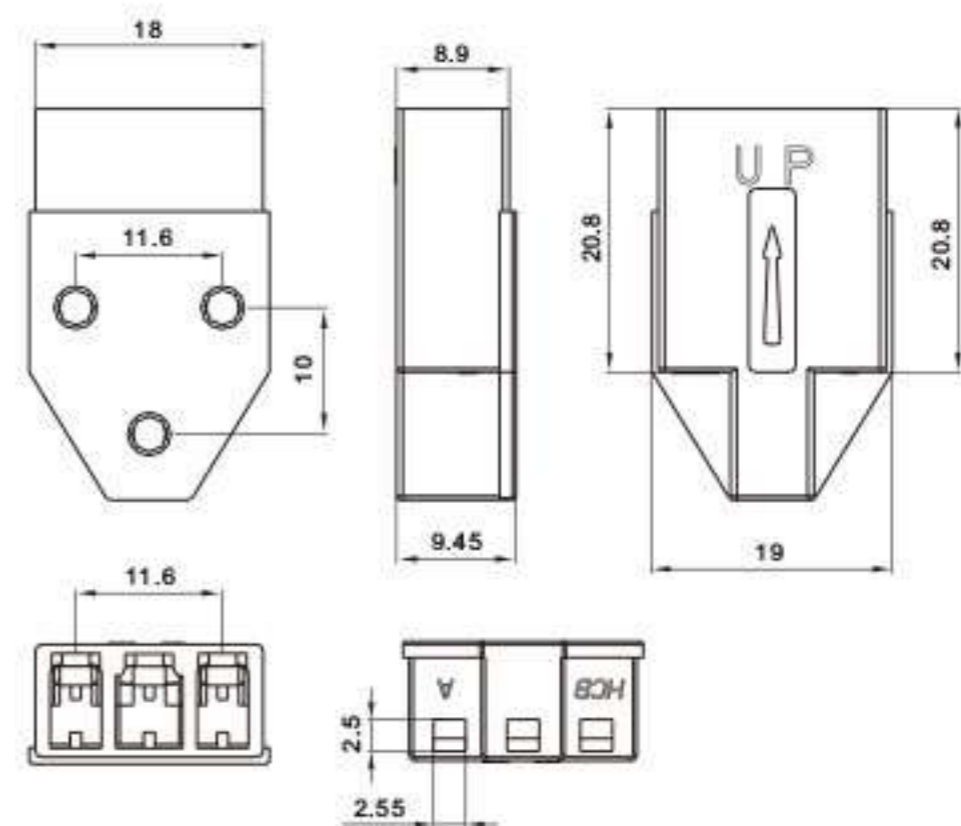
端子 TERMINAL

型号 Part No.	材质 Material	料厚 Thickness	线规 Applicable wires		电线外径 Wire insulation O.D. mm	镀层 Plating	包装数量 Q'ty/reel
			AWG#	线径 mm ²			
C58001-12PT	Phosphor bronze	0.4	20-18	0.5-0.75	2.6-2.8	Tin Plated	8K
C58001-03PT	Phosphor bronze	0.4	18-16	0.75-1.25	2.8-3.5	Tin Plated	2.5K

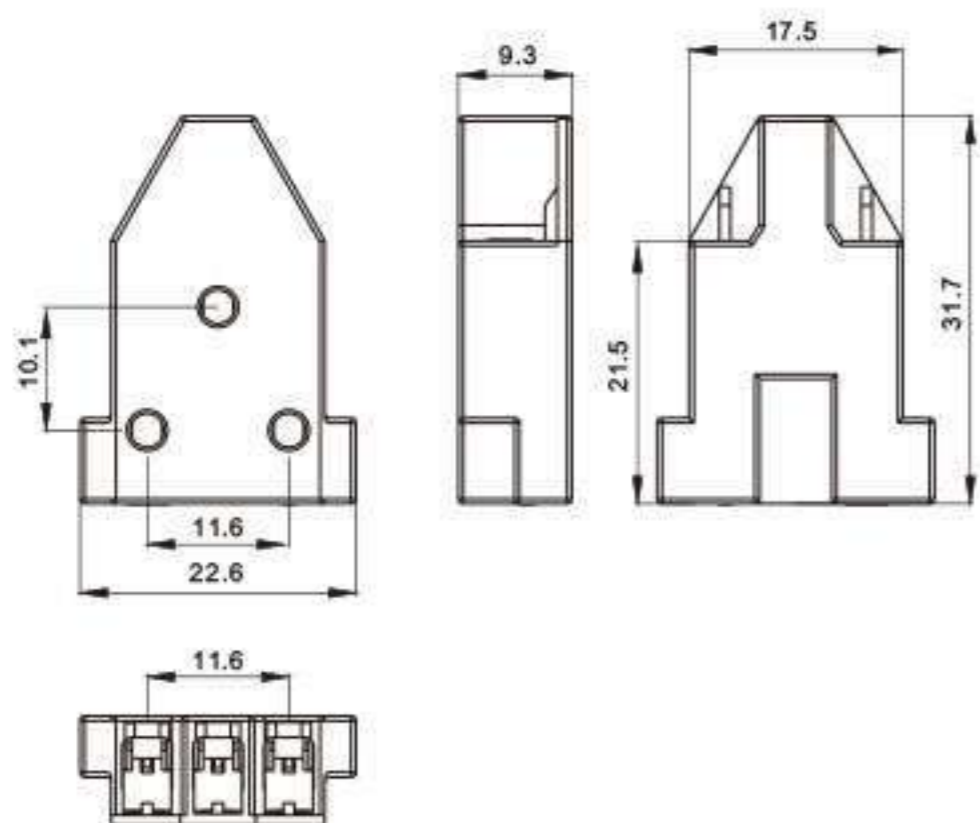
C58001-A03P(SCS-3P)



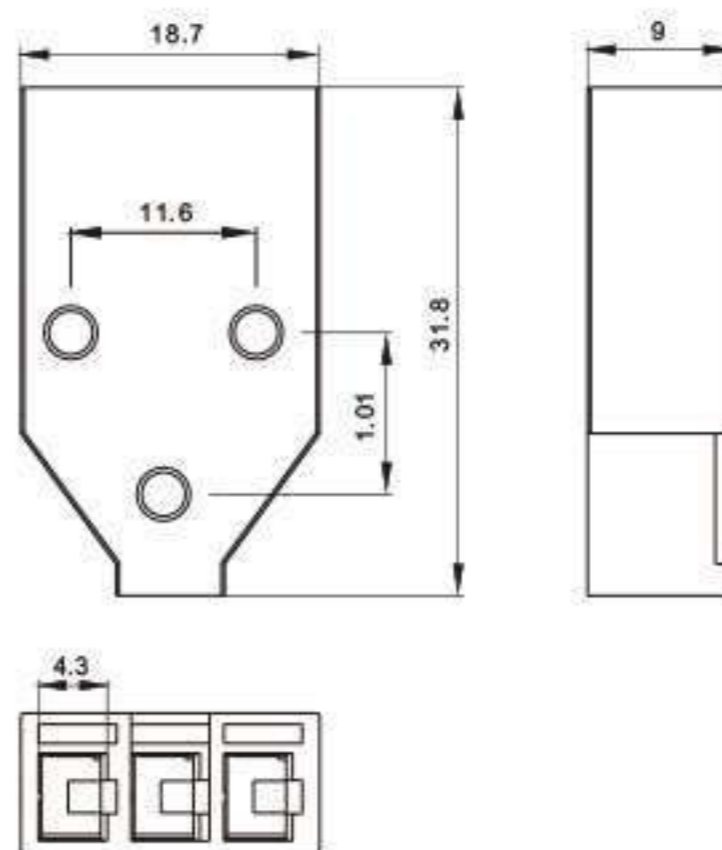
C58001-B03P(SCS1-3P)



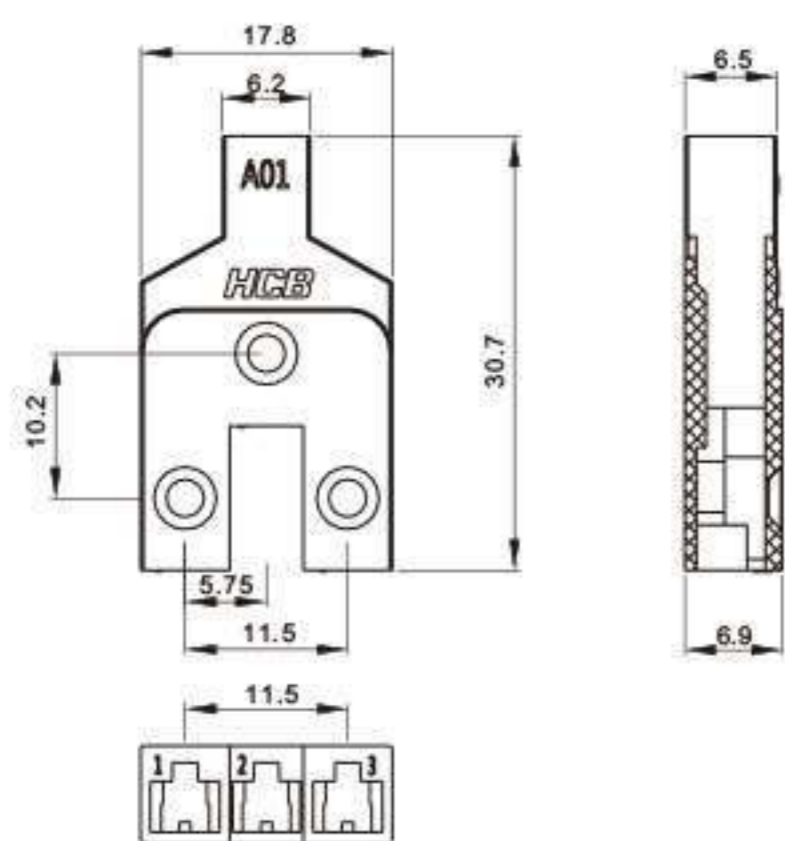
C58001-C03P(SCS2-3P)



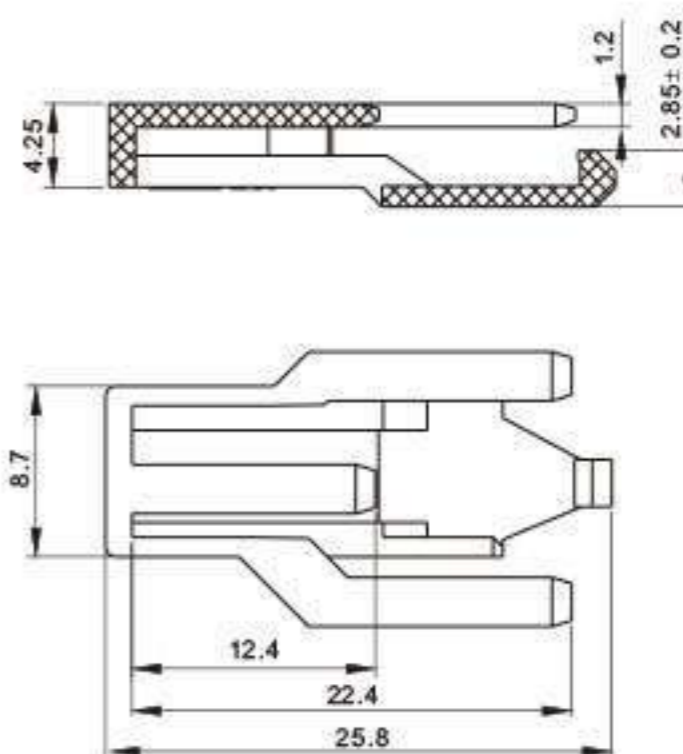
C58001-D03P(SCS-3F)



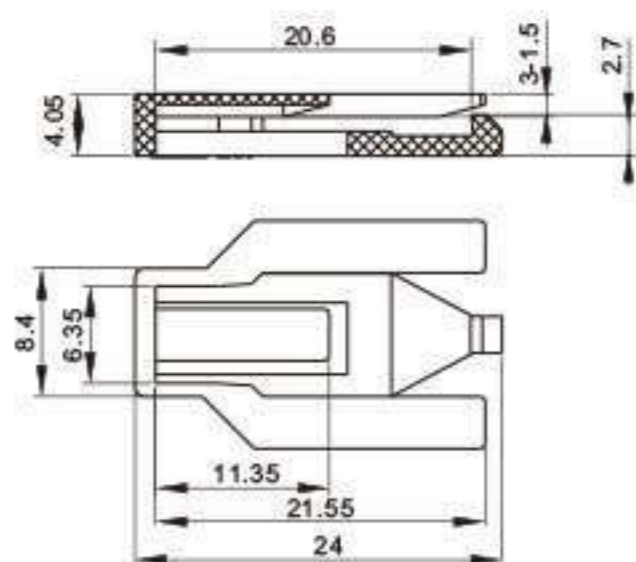
C58001-E03P(SCS3 -3P)



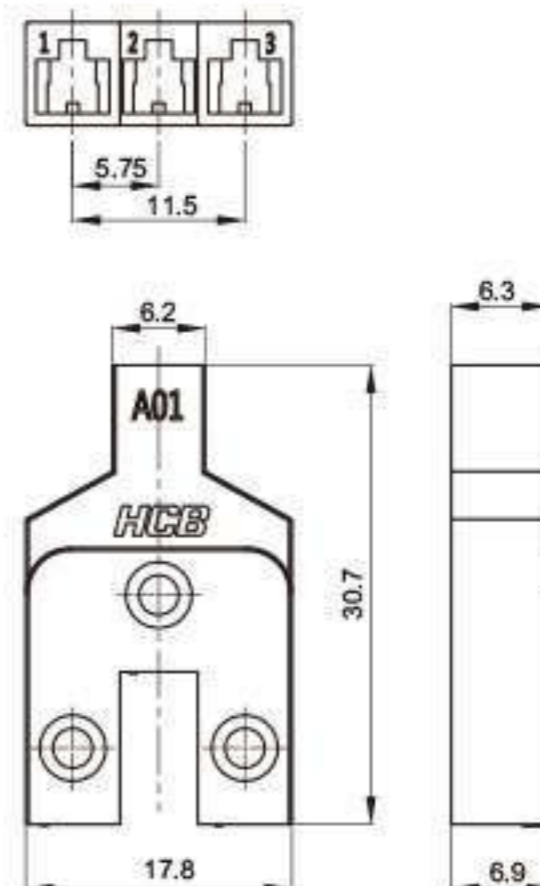
C58001-B03S(SCS2-3S)



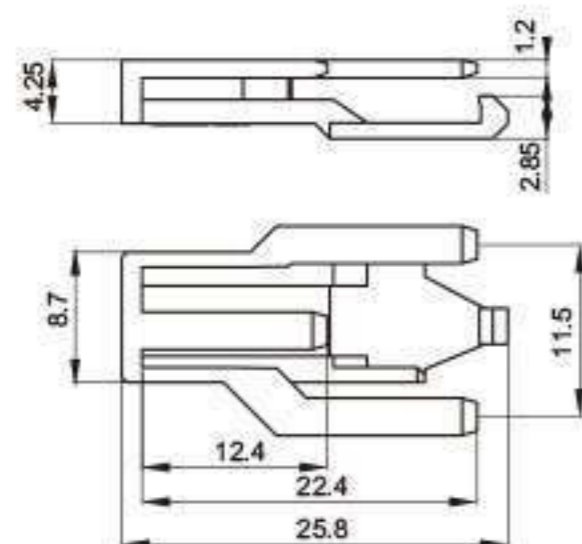
C58001-E03S(SCS3-3S)



C58001-D03P(SCS3-3P)



C58001-A03S(SCS-3S)



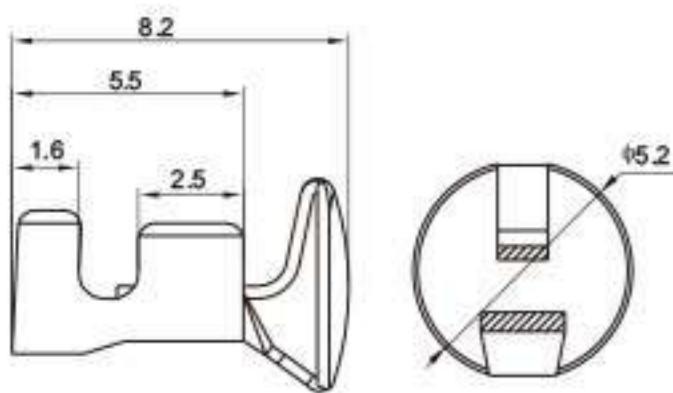


■ 技术参数 SPECIFICATIONS

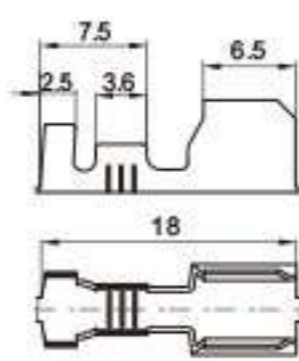
- 线数 Number of positions:
- 适用线规 Applicable wires: 22~18AWG
- 温度范围 Temperature range: -40°C~105°C
(including temperature rise in applying electrical current)
- 额定电压 Voltage rating: 250V AC, DC Max.
- 额定电流 Current rating: 7A AC, DC Max.
- 接触电阻 Contact resistance: $\leq 20\text{m}\Omega$
- 绝缘电阻 Insulation resistance: $\geq 1000\text{M}\Omega$
- 耐压 Withstanding voltage: 1500V AC/minute

*Compliant with RoHS.

TM5000A-0102(小铜帽)



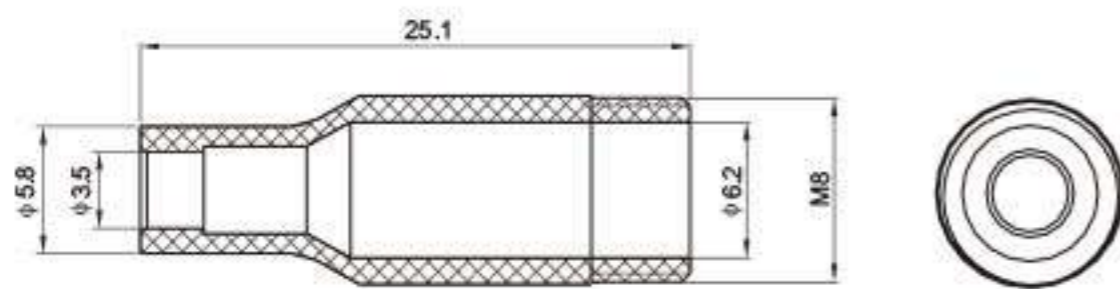
TM65001-0103 保险丝管端子 (C5A)



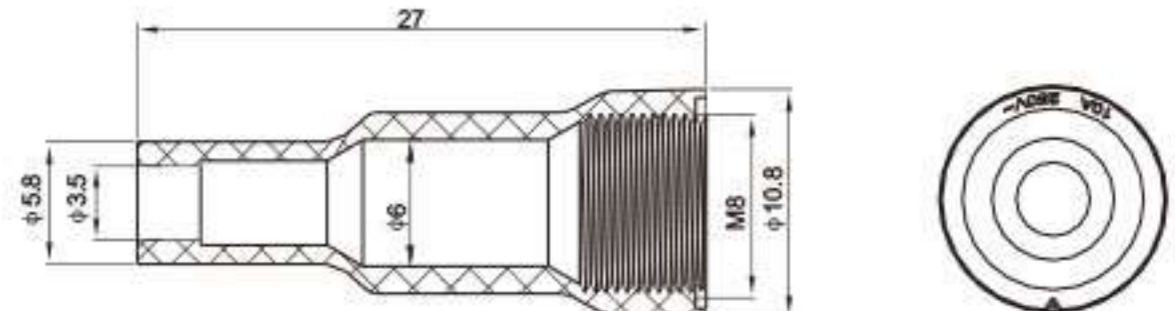
端子 TERMINAL

型号 Part No.	材质 Material	料厚 Thickness	线规 Applicable wires		电线外径 Wire insulation O.D. mm	镀层 Plating	包装数量 Q'ty/reel
			AWG#	线径 mm ²			
TM5000A-0102	Phosphor bronze	0.3	22-18	0.33-0.75	1.7-2.8	Tin Plated	10K
TM65001-0103	Phosphor bronze	0.35	18-16	0.75-1.25	2.8-3.5	Tin Plated	8K

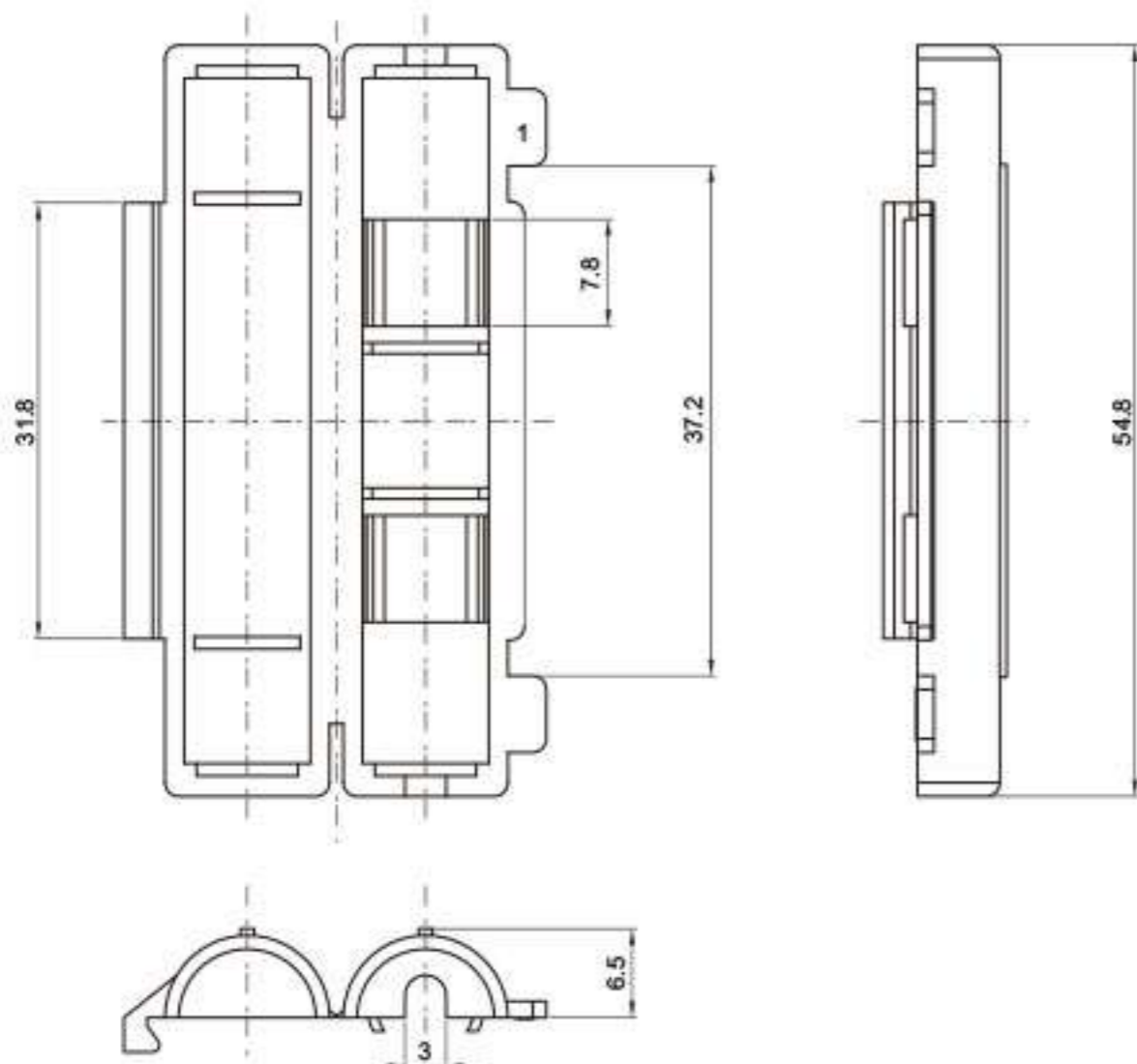
H500M-0101(5X20 保险盒管)



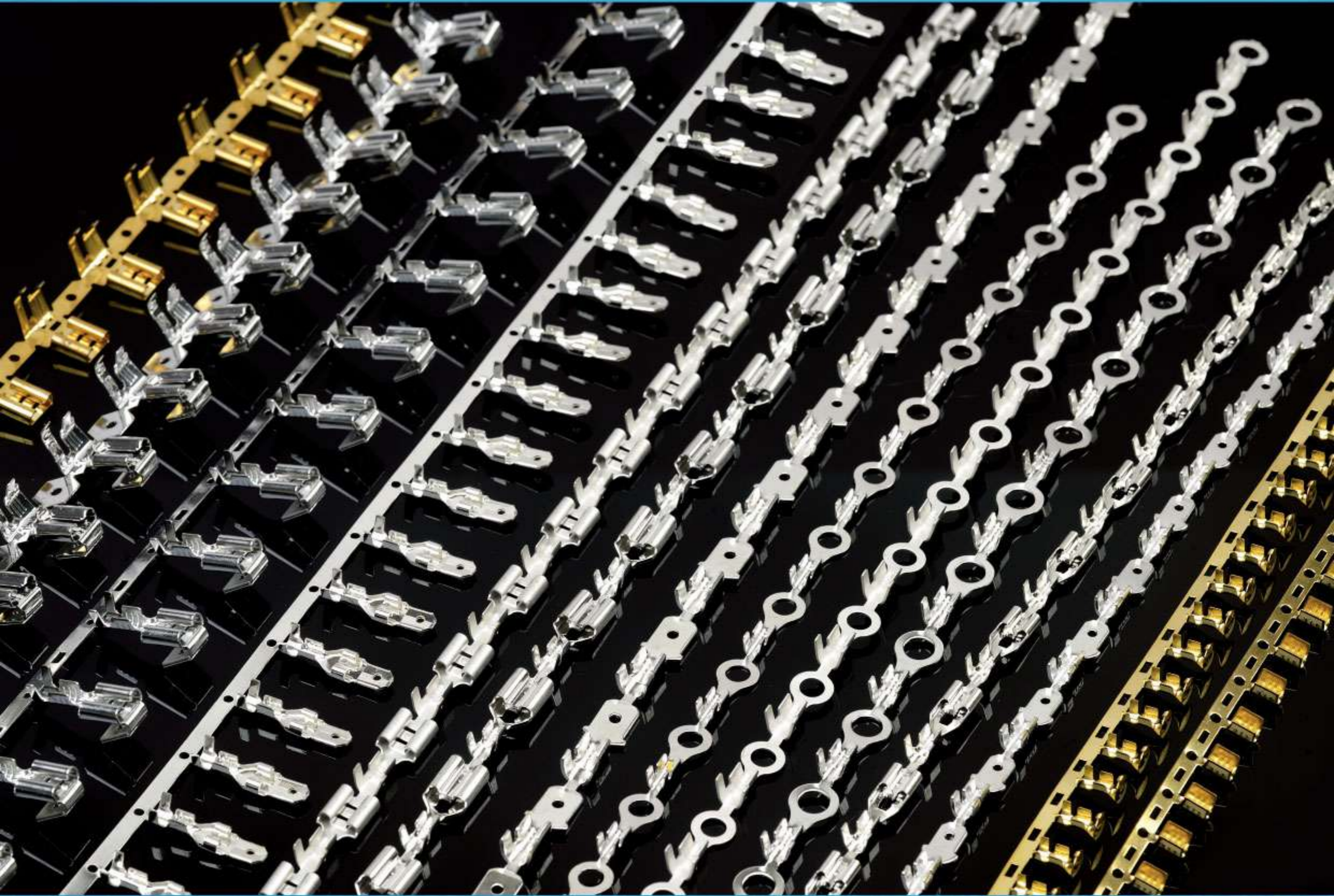
H500M-0201(5X20 保险盒帽)



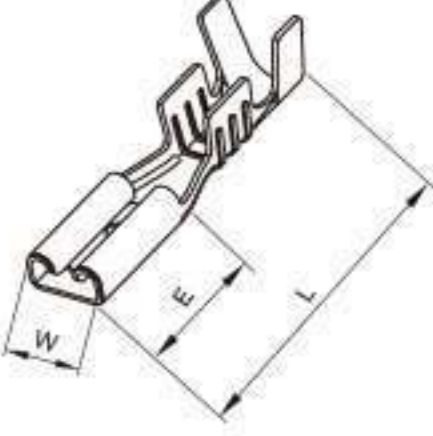
H600M-0101(BX201B-3 管)



HCB[®]



2.8 直插插簧 110Premier type

	型号 Part No.	材质 Material	料厚 Thickness	线规 Applicable wires		电线外径 Wire insulation O.D. mm	尺寸 Dimensions(mm)			镀层 Plating	适配插片 Mating Tab	包装数量 Q'ty/reel
				AWG#	线径 mm ²		W	L	E			
	TP1101-0025	Phosphor bronze	0.25	22-20	0.33-0.5	1.5-2.6	3.7	15.5	6.3	Tin Plated	0.5	10K
	TP1101-0035	Phosphor bronze	0.25	20-16	0.5-1.25	1.6-3.1	3.8	16.1	6.1	Tin Plated	0.5	3K
	TP1101-0045	Phosphor bronze	0.25	16-14	1.25-2.0	2.2-3.5	3.7	14.2	6.2	Tin Plated	0.5	5K
	TP1101-0028	Phosphor bronze	0.25	22-20	0.33-0.5	1.5-2.6	3.7	15.5	6.2	Tin Plated	0.8	10K
	TP1101-0038	Phosphor bronze	0.25	20-16	0.5-1.25	1.6-3.1	3.8	16.1	6.1	Tin Plated	0.8	3K
	TP1101-0048	Phosphor bronze	0.25	16-14	1.25-2.0	2.2-3.5	3.8	14.2	6.3	Tin Plated	0.8	5K

护套 Applicable sleeve

型号 Part No.	材质 Material	包装数量 Q'ty/reel
H110P-0101	PA66	2K
H110P-0201	PA66	2K

型号 Part No.	材质 Material	包装数量 Q'ty/reel
H110P-0202	PA66	1K

型号 Part No.	材质 Material	包装数量 Q'ty/reel
H110S-0101	PVC	2K
H110S-0201	PVC	2K

2.8 带钩插簧 110Premier type with lock

	型号 Part No.	材质 Material	料厚 Thickness	线规 Applicable wires		电线外径 Wire insulation O.D. mm	尺寸 Dimensions(mm)			镀层 Plating	适配插片 Mating Tab	包装数量 Q'ty/reel
				AWG#	线径 mm ²		W	L	E			
	TP1101-2015	Phosphor bronze	0.25	20-18	0.5-0.75	1.6-2.8	3.8	15.9	6.1	Tin Plated	0.5	3.5K
	TP1101-2125	Phosphor bronze	0.25	20-18	0.5-0.75	1.6-2.8	3.8	15.6	6.5	Tin Plated	0.5	10K
	TP1101-2115	Phosphor bronze	0.25	26-22	0.13-0.33	1.2-1.8	3.8	15.6	6.5	Tin Plated	0.5	10K
	TP1101-2128	Phosphor bronze	0.25	20-18	0.5-0.75	1.6-2.8	3.8	15.6	6.5	Tin Plated	0.8	10K
	TP1101-2118	Phosphor bronze	0.25	26-22	0.13-0.33	1.2-1.8	3.8	15.6	6.5	Tin Plated	0.8	10K

护套 Applicable sleeve

型号 Part No.	材质 Material	包装数量 Q'ty/reel
H110P-0302	PA66	1K

型号 Part No.	材质 Material	包装数量 Q'ty/reel
H110P-0402	PA66	1K

型号 Part No.	材质 Material	包装数量 Q'ty/reel
H110P-0503	PA66	1K

2.8 喇叭插簧 110P/S female type

	型号 Part No.	材质 Material	料厚 Thickness	线规 Applicable wires		电线外径 Wire insulation O.D. mm	线规 Applicable wires			镀层 Plating	适配插片 Mating Tab	包装数量 Q'ty/reel
				AWG#	线径 mm ²		W	L	E			
	TP1101-7025	Phosphor bronze	0.25	22-20	0.33-0.5	1.5-2.6	3.7	15.5	7.6	Tin Plated	0.5	15K
	TP1101-7125	Phosphor bronze	0.25	20-18	0.5-0.75	1.6-2.8	3.8	15.1	7.6	Tin Plated	0.5	4K
	TP1101-7115	Phosphor bronze	0.25	24-20	0.22-0.5	1.3-1.8	3.7	15.5	7.6	Tin Plated	0.5	4K

护套 Applicable sleeve

					
型号 Part No.	材质 Material	包装数量 Q'ty/reel	型号 Part No.	材质 Material	包装数量 Q'ty/reel
H110P-0603	PA66	500	H110P-0703	PA66	1K

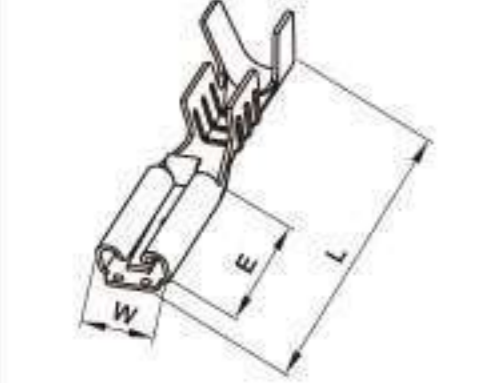
2.8 喇叭插簧 110P/S female type

	型号 Part No.	材质 Material	料厚 Thickness	线规 Applicable wires		电线外径 Wire insulation O.D. mm	线规 Applicable wires			镀层 Plating	适配插片 Mating Tab	包装数量 Q'ty/reel
				AWG#	线径 mm ²		W	L	E			
	TP1101-7225	Phosphor bronze	0.25	24-20	0.22-0.5	1.3-1.8	3.7	15.5	7.6	Tin Plated	0.5	4K

护套 Applicable sleeve

					
型号 Part No.	材质 Material	包装数量 Q'ty/reel	型号 Part No.	材质 Material	包装数量 Q'ty/reel
H110P-0803	PA66	1K	H110P-0803-S	PA66	1K

2.8 带钩插簧 110Premier type with lock

	型号 Part No.	材质 Material	料厚 Thickness	线规 Applicable wires		电线外径 Wire insulation O.D. mm	尺寸 Dimensions(mm)			镀层 Plating	适配插片 Mating Tab	包装数量 Q'ty/reel
				AWG#	线径 mm ²		W	L	E			
	TP1102-0015	Phosphor bronze	0.25	26-22	0.13-0.33	1.2-1.8	3.7	15.5	6.0	Tin Plated	0.5	10K
	TP1102-0025	Phosphor bronze	0.25	22-18	0.33-0.75	1.5-2.8	3.7	15.5	6.0	Tin Plated	0.5	10K
	TP1102-0028	Phosphor bronze	0.25	22-18	0.33-0.75	1.5-2.8	3.7	15.5	6.0	Tin Plated	0.8	10K

护套 Applicable sleeve

		
型号 Part No.	材质 Material	包装数量 Q'ty/reel
H110S-0101	PVC	2K
H110S-0201	PVC	2K

■ 2.8 旗形 110Flag type

	型号 Part No.	材质 Material	料厚 Thickness	线规 Applicable wires		电线外径 Wire insulation O.D. mm	尺寸 Dimensions(mm)			镀层 Plating	适配插片 Mating Tab	包装数量 Q'ty/reel
				AWG#	线径 mm ²		W	L	E			
	TP1101-0025	Phosphor bronze	0.3	22-18	0.33-0.75	1.5-2.8	3.7	10.8	5.1	Tin Plated	0.5	3K
		Brass										
	TP1104-0028	Phosphor bronze	0.3	22-18	0.33-0.75	1.5-2.8	3.7	10.8	5.1	Tin Plated	0.5	3K
		Brass										
	TP1104-0128	Phosphor bronze	0.25	22-18	0.33-0.75	1.5-2.8	3.7	11.0	6.5	Tin Plated	0.8	3K
		Brass										
	TP1104-0125	Phosphor bronze	0.25	22-18	0.33-0.75	1.5-2.8	3.8	11.0	6.5	Tin Plated	0.5	3K
		Brass										

● 护套 Applicable sleeve

型号 Part No.	材质 Material	包装数量 Q'ty/reel
H110S-0601	PVC	2K

■ 其它类型 Other type

	型号 Part No.	材质 Material	料厚 Thickness	线规 Applicable wires		尺寸 Dimensions(mm)			镀层 Plating	适配插片 Mating Tab	包装数量 Q'ty/reel
				AWG#	线径 mm ²	W	L	E			
	TP1104-7128	Brass	0.3	22-20	0.33-0.5	3.1	14.0	6.0	Tin Plated	0.8	5K

4.8 直插插簧 187Permal Series



型号 Part No.	材质 Material	料厚 Thickness	线规 Applicable wires		电线外径 Wire insulation O.D. mm	尺寸 Dimensions(mm)			镀层 Plating	适配插片 Mating Tab	包装数量 Q'ty/reel
			AWG#	线径 mm ²		W	L	E			
TP1871-0015	Brass	0.35	26-22	0.13-0.33	1.2-2.4	5.7	15.5	6.4	Tin Plated	0.5	10K
TP1871-0025	Phosphor bronze	0.3	20-18	0.5-0.75	1.6-2.8	5.7	15.5	6.4	Tin Plated	0.5	10K
	Brass	0.35									
TP1871-0035	Phosphor bronze	0.3	20-16	0.5-1.25	1.6-3.1	5.7	15.6	6.5	Tin Plated	0.5	10K
	Brass	0.35									
TP1871-0045	Brass	0.35	16-14	1.25-2.0	2.2-3.5	5.9	19.3	6.2	Tin Plated	0.5	6K
TP1871-0125	Brass	0.35	20-16	0.5-1.25	1.6-3.1	5.6	15.3	6.3	Tin Plated	0.5	10K
TP1871-0135	Phosphor bronze	0.3	18-14	0.75-2.5	1.8-3.5	5.7	15.0	6.6	Tin Plated	0.5	10K
	Brass	0.35									
TP1871-0145	Brass	0.35	16-14	1.25-2.0	2.2-3.5	5.7	19.3	6.2	Tin Plated	0.5	6K
TP1871-0018	Brass	0.35	26-22	0.13-0.33	1.2-2.4	5.7	15.5	6.4	Tin Plated	0.8	10K
TP1871-0028	Brass	0.35	20-18	0.5-0.75	1.6-2.8	5.7	15.5	6.4	Tin Plated	0.8	10K
TP1871-0038	Phosphor bronze	0.3	18-16	0.75-1.25	1.8-3.1	5.7	15.5	6.4	Tin Plated	0.8	10K
	Brass	0.35									
TP1871-0048	Brass	0.35	16-14	1.25-2.0	2.2-3.5	5.9	19.3	6.2	Tin Plated	0.8	6K
TP1871-0138	Phosphor bronze	0.35	18-16	0.75-1.25	1.8-3.1	5.7	15.0	6.5	Tin Plated	0.8	8K
	Brass										

护套 Applicable sleeve




型号 Part No.	材质 Material	包装数量 Q'ty/reel
H187P-0101	PA66	1K



型号 Part No.	材质 Material	包装数量 Q'ty/reel
H187P-0102	PA66	500
H187P-0202	PA66	500



型号 Part No.	材质 Material	包装数量 Q'ty/reel
H187P-0302	PA66	500



型号 Part No.	材质 Material	包装数量 Q'ty/reel
H187P-0101	PVC	2K
H187S-0201	PVC	2K
H110S-0201	PVC	2K

4.8 带锁插簧 187Premier type with positive lock



型号 Part No.	材质 Material	料厚 Thickness	线规 Applicable wires		电线外径 Wire insulation O.D. mm	尺寸 Dimensions(mm)			镀层 Plating	适配插片 Mating Tab	包装数量 Q'ty/reel
			AWG#	线径 mm ²		W	L	E			
TP1872-0015	Brass	0.35	24-22	0.22-0.33	1.3-2.4	5.7	17.5	6.3	Tin Plated	0.5	10K
TP1872-0025	Phosphor bronze	0.3	20-16	0.5-1.25	1.6-3.1	5.7	17.5	6.3	Tin Plated	0.5	10K
	Brass	0.35									
TP1872-0035	Phosphor bronze	0.3	18-14	0.5-2.0	1.8-3.5	5.7	17.5	6.3	Tin Plated	0.5	8K
	Brass	0.35									
TP1872-0018	Brass	0.35	24-22	0.22-0.33	1.3-2.4	5.7	17.5	6.3	Tin Plated	0.8	10K
TP1872-0028	Phosphor bronze	0.3	20-16	0.5-1.25	1.6-3.1	5.7	17.5	6.3	Tin Plated	0.8	10K
	Brass	0.35									
TP1872-0038	Phosphor bronze	0.3	18-16	0.75-1.25	1.8-3.1	5.7	17.5	6.2	Tin Plated	0.8	8K
	Brass	0.35									

护套 Applicable sleeve



型号 Part No.	材质 Material	包装数量 Q'ty/reel
H187S-0101	PVC	2K
H187S-0201	PVC	2K
H187S-0301	PVC	2K

4.8 加长带锁插簧 187 Microwave oven

	型号 Part No.	材质 Material	料厚 Thickness	线规 Applicable wires		电线外径 Wire insulation O.D. mm	尺寸 Dimensions(mm)			镀层 Plating	适配插片 Mating Tab	包装数量 Q'ty/reel
				AWG#	线径 mm ²		W	L	E			
	TP1872-7015	Phosphor bronze	0.3	24-22	0.22-0.5	1.3-2.4	5.7	19.0	5.0	Tin Plated	0.5	10K
	TP1872-7025	Phosphor bronze	0.3	20-18	0.5-0.75	1.6-2.8	5.7	19.0	5.0	Tin Plated	0.5	10K
	TP1872-7035	Phosphor bronze Brass	0.3	18-16	0.72-1.25	1.8-3.1	5.7	19.3	5.0	Tin Plated	0.5	6K
	TP1872-7045	Phosphor bronze	0.3	16-14	1.25-2.5	2.2-3.5	5.6	19.1	5.0	Tin Plated	0.5	6K
	TP1872-7038	Phosphor bronze Brass	0.3	18-16	0.75-2.5	2.1-3.6	5.7	19.3	5.0	Tin Plated	0.8	6K

护套 Applicable sleeve

型号 Part No.	材质 Material	包装数量 Q'ty/reel
H187P-0401	PA66	1K

型号 Part No.	材质 Material	包装数量 Q'ty/reel
H187P-0402	PA66	1K

型号 Part No.	材质 Material	包装数量 Q'ty/reel
H187P-0502	PA66	1K

型号 Part No.	材质 Material	包装数量 Q'ty/reel
H187P-0602	PA66	1K

型号 Part No.	材质 Material	包装数量 Q'ty/reel
H187P-0702	PA66	1K

型号 Part No.	材质 Material	包装数量 Q'ty/reel
H187P-0803	PA66	1K

4.8 旗形短 187 Short flag type

	型号 Part No.	材质 Material	料厚 Thickness	线规 Applicable wires		电线外径 Wire insulation O.D. mm	尺寸 Dimensions(mm)			镀层 Plating	适配插片 Mating Tab	包装数量 Q'ty/reel
				AWG#	线径 mm ²		W	L	E			
	TP1874-0025	Phosphor bronze	0.3	20-18	0.5-1.25	1.6-2.8	6.2	12.1	5.6	Tin Plated	0.5	10K
	TP1874-0028	Phosphor bronze	0.3	20-18	0.5-1.25	1.6-2.8	6.2	12.1	5.6	Tin Plated	0.8	10K

护套 Applicable sleeve

		
型号 Part No.	材质 Material	包装数量 Q'ty/reel
H187S-0601	PVC	2K

4.8 旗形 187 Flag type

	型号 Part No.	材质 Material	料厚 Thickness	线规 Applicable wires		电线外径 Wire insulation O.D. mm	尺寸 Dimensions(mm)			镀层 Plating	适配插片 Mating Tab	包装数量 Q'ty/reel
				AWG#	线径 mm ²		W	L	E			
	TP1874-0128	Brass	0.35	18-16	0.75-1.25	1.8-3.1	5.7	14.0	6.6	Tin Plated	0.5	5K
	TP1874-0148	Brass	0.35	22-20	0.33-0.5	1.5-2.6	5.8	14.7	6.6	Tin Plated	0.8	5K
	TP1874-0135	Phosphor bronze Brass	0.3 0.35	18-16	0.75-1.25	1.8-3.1	5.7	14.0	6.6	Tin Plated	0.8	5K
	TP1874-0138	Phosphor bronze Brass	0.3 0.35	16-14	1.25-2.0	2.2-3.5	5.8	14.0	6.6	Tin Plated	0.8	5K

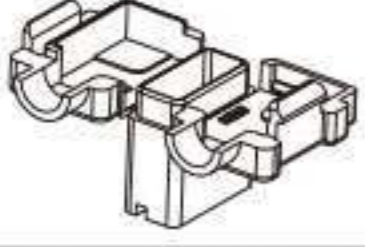
护套 Applicable sleeve

		
型号 Part No.	材质 Material	包装数量 Q'ty/reel
H1187S-0701	PVC	2K

4.8 高脚 187C-Crimp

	型号 Part No.	材质 Material	料厚 Thickness	线规 Applicable wires		电线外径 Wire insulation O.D. mm	尺寸 Dimensions(mm)			镀层 Plating	适配插片 Mating Tab	包装数量 Q'ty/reel
				AWG#	线径 mm ²		W	L	E			
	TP1873-0035	Phosphor bronze	0.35	20-16	0.5-1.25	1.6-3.5	5.7	12.7	6.6	Tin Plated	0.5	5K
	TP1873-0038	Phosphor bronze	0.35	20-16	0.5-1.25	1.6-3.5	5.7	13.0	6.4	Tin Plated	0.8	5K

● 护套 Applicable sleeve

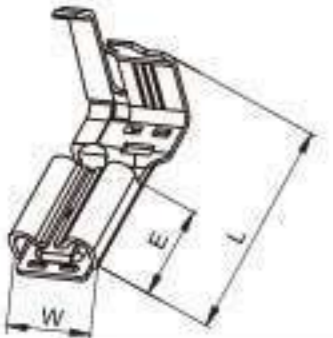


型号 Part No.	材质 Material	包装数量 Q'ty/reel
H187P-0902	PA66	1K



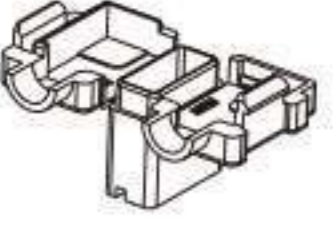
型号 Part No.	材质 Material	包装数量 Q'ty/reel
H187S-0601	PVC	2K
H187S-0701	PVC	2K

■ 4.8 高脚带锁 187C-Crimp flag type with



型号 Part No.	材质 Material	料厚 Thickness	线规 Applicable wires		电线外径 Wire insulation O.D. mm	尺寸 Dimensions(mm)			镀层 Plating	适配插片 Mating Tab	包装数量 Q'ty/reel
			AWG#	线径 mm ²		W	L	E			
TP1873-6035	Brass	0.35	20-16	0.5-1.25	1.6-3.5	5.7	13.8	6.4	Tin Plated	0.5	5K
TP1873-6038	Brass	0.35	20-16	0.5-1.25	1.6-3.5	5.7	15.0	6.4	Tin Plated	0.8	5K

● 护套 Applicable sleeve



型号 Part No.	材质 Material	包装数量 Q'ty/reel
H1187P-1001	PA66	1K



型号 Part No.	材质 Material	包装数量 Q'ty/reel
H187S-0601	PVC	2K

■ 4.8 双头插 187 Piggyback type



型号 Part No.	材质 Material	料厚 Thickness	线规 Applicable wires		电线外径 Wire insulation O.D. mm	尺寸 Dimensions(mm)			镀层 Plating	适配插片 Mating Tab	包装数量 Q'ty/reel
			AWG#	线径 mm ²		W	L	E			
TP1871-3025	Brass	0.35	20-16	0.5-1.25	1.6-3.1	6.0	16.1	6.2	Tin Plated	0.5	1.5K
TP1871-3028	Brass	0.35	20-16	0.51.25	1.6-3.1	6.0	16.1	6.2	Tin Plated	0.8	1.5K
TP1871-3045	Brass	0.35	18-14	0.75-2.0	1.8-3.5	6.0	16.1	6.2	Tin Plated	0.5	1.5K
TP1871-3048	Brass	0.4	18-16	0.75-1.25	1.8-3.1	5.7	16.5	6.2	Tin Plated	0.8	4K

4.8 带锁双头插 187 Piggyback type with positive

	型号 Part No.	材质 Material	料厚 Thickness	线规 Applicable wires		电线外径 Wire insulation O.D. mm	尺寸 Dimensions(mm)			镀层 Plating	适配插片 Mating Tab	包装数量 Q'ty/reel
				AWG#	线径 mm ²		W	L	E			
	TP1872-3035	Brass	0.4	18-16	0.75-1.25	1.8-3.5	5.8	16.0	6.4	Tin Plated	0.5	1400
	TP1872-3038	Brass	0.4	18-16	0.75-1.25	1.8-3.5	5.8	16.0	6.4	Tin Plated	0.8	1400

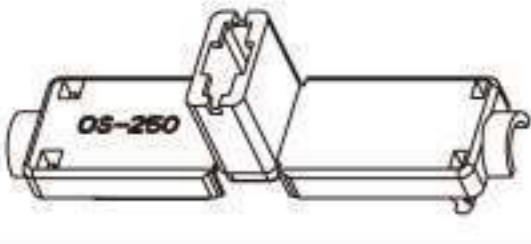
其它类型 Other type

	型号 Part No.	材质 Material	料厚 Thickness	线规 Applicable wires		电线外径 Wire insulation O.D. mm	尺寸 Dimensions(mm)			镀层 Plating	适配插片 Mating Tab	包装数量 Q'ty/reel
				AWG#	线径 mm ²		W	L	E			
	TP1871-7028	Brass	0.3	22-18	0.33-0.75	-	5.7	15.0	7.0	Acid Picking	0.8	5K
	TP1871-7032	Phosphor bronze	0.4	22-18	0.3-0.75	1.8-3.1	5.1	18.5	8.5	Tin-Plated	2.0	5K
	TP1873-7132	Phosphor bronze	0.4	18-16	0.75-1.25	1.8-3.5	5.2	14.8	8.5	Tin-Plated	2.0	5K

6.3 直插插簧 250 Premier type

	型号 Part No.	材质 Material	料厚 Thickness	线规 Applicable wires		电线外径 Wire insulation O.D. mm	尺寸 Dimensions(mm)			镀层 Plating	适配插片 Mating Tab	包装数量 Q'ty/reel
				AWG#	线径 mm ²		W	L	E			
	TP2501-0028	Phosphor bronze Brass	0.4	20-18	0.5-0.75	1.6-2.8	7.6	18.2	7.6	Tin Plated	0.8	8K
	TP2501-0038	Phosphor bronze Brass	0.4	18-16	0.75-1.25	1.8-3.1	7.6	18.2	7.6	Tin Plated	0.8	8K
	TP2501-0048	Brass	0.4	18-16	0.75-1.25	1.8-3.1	7.6	18.2	7.6	Tin Plated	0.8	6K
	TP2501-0058	Brass	0.4	14-12	2.0-3.5	3.2-4.0	7.6	19.5	7.8	Tin Plated	0.8	4K
	TP2501-0138	Brass	0.4	16-14	1.25-2.0	2.2-3.5	7.6	18.8	7.6	Tin Plated	0.8	8K
	TP2501-0158	Brass	0.4	14-12	2.0-3.5	3.2-4.0	7.8	19.7	7.7	Tin Plated	0.8	4K
	TP2501-0218	Brass	0.4	24-20	0.22-0.5	1.3-2.8	7.6	19.2	8.0	Tin Plated	0.8	8K
	TP2501-0228	Brass	0.4	20-16	0.5-1.25	1.6-3.1	7.6	19.2	8.0	Tin Plated	0.8	6K
	TP2501-0348	Phosphor bronze Brass	0.4	16-14	1.25-2.0	2.2-3.5	7.6	19.1	7.8	Tin Plated	0.8	6K
	TP2501-0448	SUS	0.4	22-18	0.33-0.75	1.5-2.8	7.4	19.1	7.6	Tin Plated	0.8	8K

● 护套 Applicable sleeve



型号 Part No.	材质 Material	包装数量 Q'ty/reel
H110P-1901	PA66	1K



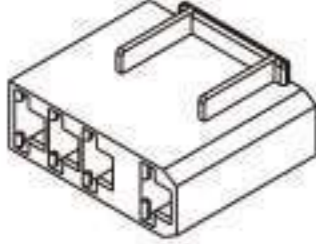
型号 Part No.	材质 Material	包装数量 Q'ty/reel
H110P-0101	PA66	1K



型号 Part No.	材质 Material	包装数量 Q'ty/reel
H250P-0102	PA66	500



型号 Part No.	材质 Material	包装数量 Q'ty/reel
H110P-0201	PA66	1K



型号 Part No.	材质 Material	包装数量 Q'ty/reel
H250P-0304	PA66	500



型号 Part No.	材质 Material	包装数量 Q'ty/reel
H250P-0404	PA66	500




型号 Part No.	材质 Material	包装数量 Q'ty/reel
H250P-0503	PA66	500



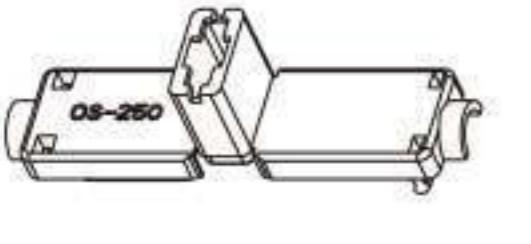
型号 Part No.	材质 Material	包装数量 Q'ty/reel
H250S-0101	PVC	2K
H250S-0201	PVC	2K
H250S-0301	PVC	2K
H250S-0401	PVC	2K
H250S-0501	PVC	2K

■ 6.3低插拔力插簧 250 Premier type with low-insertion




型号 Part No.	材质 Material	料厚 Thickness	线规 Applicable wires		电线外径 Wire insulation O.D. mm	尺寸 Dimensions(mm)			镀层 Plating	适配插片 Mating Tab	包装数量 Q'ty/reel
			AWG#	线径 mm ²		W	L	E			
TP2501-1018	Brass	0.4	24-20	0.22-0.5	1.3-2.6	7.6	17.3	8.0	Tin Plated	0.8	6K
TP2501-1028	Brass	0.4	20-18	0.5-0.75	1.6-2.8	7.6	17.3	8.0	Tin Plated	0.8	6K
TP2501-1048	Brass	0.4	16-14	1.25-2.0	2.2-3.5	7.6	17.3	8.0	Tin Plated	0.8	6K

● 护套 Applicable sleeve



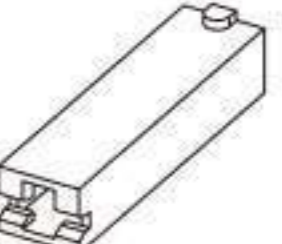
型号 Part No.	材质 Material	包装数量 Q'ty/reel
H110P-1901	PA66	1K



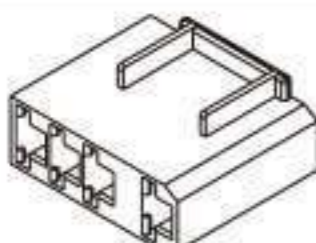
型号 Part No.	材质 Material	包装数量 Q'ty/reel
H110P-0101	PA66	1K



型号 Part No.	材质 Material	包装数量 Q'ty/reel
H250P-0102	PA66	500



型号 Part No.	材质 Material	包装数量 Q'ty/reel
H110P-0201	PA66	1K




型号 Part No.	材质 Material	包装数量 Q'ty/reel
H250P-0304	PA66	500



型号 Part No.	材质 Material	包装数量 Q'ty/reel
H250P-0404	PA66	500



型号 Part No.	材质 Material	包装数量 Q'ty/reel
H250P-0503	PA66	500



型号 Part No.	材质 Material	包装数量 Q'ty/reel
H250S-0101	PVC	2K
H250S-0201	PVC	2K
H250S-0301	PVC	2K
H250S-0401	PVC	2K
H250S-0501	PVC	2K

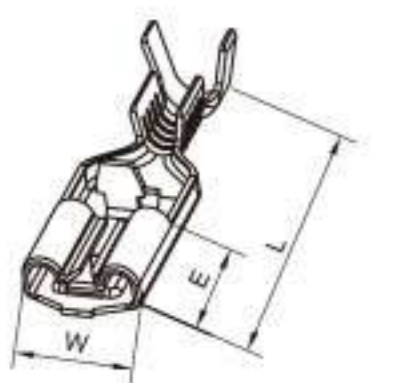
6.3 带锁插簧 250 Premier type

	型号 Part No.	材质 Material	料厚 Thickness	线规 Applicable wires		电线外径 Wire insulation O.D. mm	尺寸 Dimensions(mm)			镀层 Plating	适配插片 Mating Tab	包装数量 Q'ty/reel
				AWG#	线径 mm ²		W	L	E			
	TP2502-0018	Brass	0.4	26-22	0.13-0.33	1.2-2.4	7.6	21.0	7.8	Tin Plated	0.8	6K
	TP2502-0028	Brass	0.4	22-18	0.33-0.75	1.5-3.1	7.6	21.0	7.8	Tin Plated	0.8	6K
	TP2502-0048	Brass	0.4	18-14	0.75-2.0	1.8-3.5	7.6	21.0	7.8	Tin Plated	0.8	6K
	TP2502-0058	Brass	0.4	14-10	2.0-3.5	3.0-5.1	7.6	21.0	7.8	Tin Plated	0.8	5K
	TP2502-0228	Brass	0.4	20-16	0.5-1.25	1.6-3.1	7.2	20.6	8.0	Tin Plated	0.8	6K

● 护套 Applicable sleeve

型号 Part No.	材质 Material	包装数量 Q'ty/reel
H250S-0101	PVC	2K
H250S-0201	PVC	2K
H250S-0301	PVC	2K
H250S-0401	PVC	2K
H250S-0501	PVC	2K

6.3 加长带锁插簧 250 Microwave oven type

	型号 Part No.	材质 Material	料厚 Thickness	线规 Applicable wires		电线外径 Wire insulation O.D. mm	尺寸 Dimensions(mm)			镀层 Plating	适配插片 Mating Tab	包装数量 Q'ty/reel
				AWG#	线径 mm ²		W	L	E			
	TP2502-7028	Brass	0.4	22-18	0.33-0.75	1.5-3.1	7.6	23.0	6.5	Tin Plated	0.8	6K
	TP2502-7038	Brass	0.4	18-14	0.75-2.0	1.8-3.5	7.6	23.0	6.5	Tin Plated	0.8	5K
	TP2502-7048	Brass	0.4	18+20 18+18 18+16	1.25-2.0	3.4-5.9	7.6	23.0	6.5	Tin Plated	0.8	4K
	TP2502-7058	Brass	0.4	14-10	2.0-5.26	3.0-5.1	7.6	23.0	6.5	Tin Plated	0.8	4K

● 护套 Applicable sleeve



型号 Part No.	材质 Material	包装数量 Q'ty/reel
H250P-0601	PA66	1K




型号 Part No.	材质 Material	包装数量 Q'ty/reel
H250P-0702	PA66	500



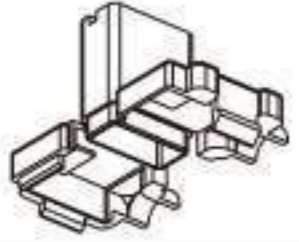
型号 Part No.	材质 Material	包装数量 Q'ty/reel
H250P-0802	PA66	1K

■ 6.3 旗形 250 Flag type



型号 Part No.	材质 Material	料厚 Thickness	线规 Applicable wires		电线外径 Wire insulation O.D. mm	尺寸 Dimensions(mm)			镀层 Plating	适配插片 Mating Tab	包装数量 Q'ty/reel
			AWG#	线径 mm ²		W	L	E			
TP2504-0038	Phosphor bronze Brass	0.4	20-16	0.5-1.25	1.6-3.1	7.6	15.5	7.6	Tin Plated	0.8	6K
TP2504-0048	Phosphor bronze	0.4	16-14	1.25-2.0	2.2-3.5	7.6	15.5	7.6	Tin Plated	0.8	6K
	Brass SUS										
TP2504-0128	Brass	0.4	20-18	0.5-0.75	1.6-2.8	7.6	14.2	6.7	Tin Plated	0.8	6K
TP2504-0138	Brass	0.4	18-14	0.75-2.0	2.2-3.5	7.6	14.2	6.7	Tin Plated	0.8	6K
	SUS								-		
TP2504-0328	SUS	0.4	20-18	0.5-0.75	1.6-2.8	7.4	14.2	6.7	-	0.8	6K

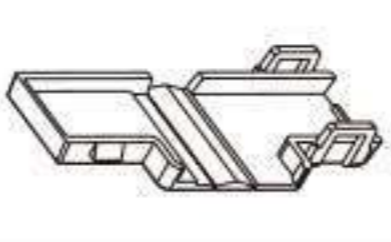
● 护套 Applicable sleeve



型号 Part No.	材质 Material	包装数量 Q'ty/reel
H250P-0901	PA66	1K



型号 Part No.	材质 Material	包装数量 Q'ty/reel
H250P-1301	PA66	500

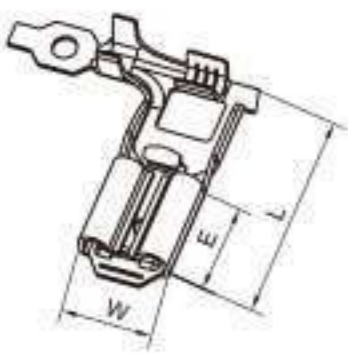
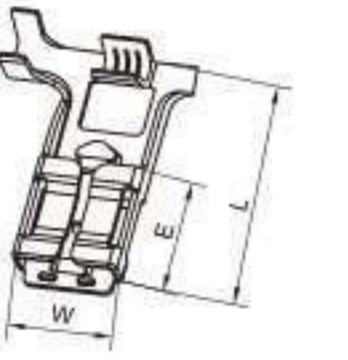


型号 Part No.	材质 Material	包装数量 Q'ty/reel
H250P-1401	PA66	1K




型号 Part No.	材质 Material	包装数量 Q'ty/reel
H250S-0701	PVC	2K
H250S-0801	PVC	2K

■ 6.3 旗形带锁 250 Flag type with

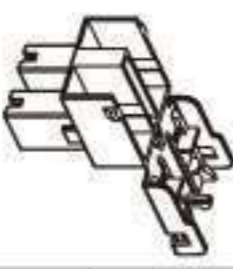



型号 Part No.	材质 Material	料厚 Thickness	线规 Applicable wires		电线外径 Wire insulation O.D. mm	尺寸 Dimensions(mm)			镀层 Plating	适配插片 Mating Tab	包装数量 Q'ty/reel
			AWG#	线径 mm ²		W	L	E			
TP2504-6028	Brass	0.4	22-18	0.33-0.75	1.5-2.8	7.6	18.2	7.8	Tin Plated	0.8	5K
TP2504-6038	Brass	0.4	18-14	0.75-2.0	1.8-3.5	7.6	18.2	7.8	Tin Plated	0.8	5K
TP2504-6048	Brass	0.4	¹⁸⁺²⁰ 18+18 18+16	0.75-2.0	1.8-2.8	7.6	18.2	7.8	Tin Plated	0.8	5K
TP2504-6128	Brass	0.4	20-16	0.5-1.25	1.6-3.1	7.6	17.0	7.8	Tin Plated	0.8	5K

● 护套 Applicable sleeve



型号 Part No.	材质 Material	包装数量 Q'ty/reel
H250P-1001	PA66	1K



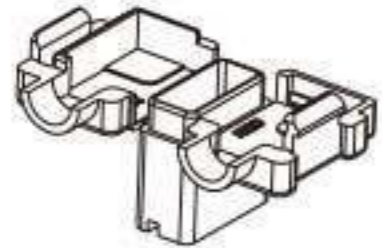
型号 Part No.	材质 Material	包装数量 Q'ty/reel
H250P-1102	PA66	500

■ 6.3 高脚 250 C-Crimp flag type

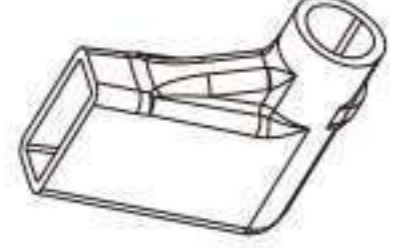


型号 Part No.	材质 Material	料厚 Thickness	线规 Applicable wires		电线外径 Wire insulation O.D. mm	尺寸 Dimensions(mm)			镀层 Plating	适配插片 Mating Tab	包装数量 Q'ty/reel
			AWG#	线径 mm ²		W	L	E			
TP2503-0048	Brass	0.45	18-14	0.75-2.0	1.8-3.5	8.0	16.0	7.6	Tin Plated	0.8	4K
TP2503-0028	Brass	0.45	20-16	0.5-1.25	1.6-3.1	8.0	15.3	7.6	Tin Plated	0.8	4K

● 护套 Applicable sleeve



型号 Part No.	材质 Material	包装数量 Q'ty/reel
H250P-1201	PA66	1K



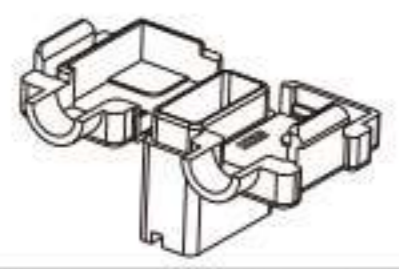
型号 Part No.	材质 Material	包装数量 Q'ty/reel
H250S-0601	PVC	2K
H250S-0701	PVC	2K
H250S-0801	PVC	2K

■ 6.3 高脚低插拔力 250 C-Crimp flag type with low-insertion



型号 Part No.	材质 Material	料厚 Thickness	线规 Applicable wires		电线外径 Wire insulation O.D. mm	尺寸 Dimensions(mm)			镀层 Plating	适配插片 Mating Tab	包装数量 Q'ty/reel
			AWG#	线径 mm ²		W	L	E			
TP2503-1048	Brass	0.4	16-14	1.25-2.0	2.2-3.5	7.6	16.0	7.8	Tin Plated	0.8	5K

● 护套 Applicable sleeve



型号 Part No.	材质 Material	包装数量 Q'ty/reel
H250P-1201	PA66	1K



型号 Part No.	材质 Material	包装数量 Q'ty/reel
H250S-0601	PVC	2K
H250S-0701	PVC	2K
H250S-0801	PVC	2K

■ 6.3 高脚带锁 250 C-Crimp flag type with positive lock




型号 Part No.	材质 Material	料厚 Thickness	线规 Applicable wires		电线外径 Wire insulation O.D. mm	尺寸 Dimensions(mm)			镀层 Plating	适配插片 Mating Tab	包装数量 Q'ty/reel
			AWG#	线径 mm ²		W	L	E			
TP2503-6028	Brass	0.4	20-18	0.5-0.75	1.6-2.8	7.6	17.8	7.8	Tin Plated	0.8	2.5K
TP2503-6038	Brass	0.4	16-14	1.25-2.0	2.2-3.5	7.6	17.0	7.8	Tin Plated	0.8	2.5K

● 护套 Applicable sleeve



型号 Part No.	材质 Material	包装数量 Q'ty/reel
H250P-1501	PA66	1K

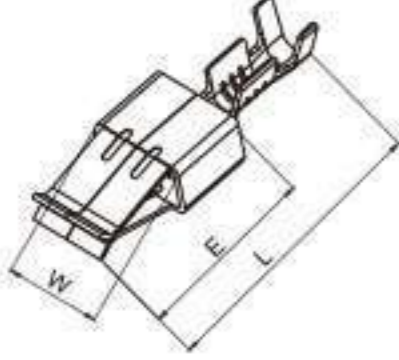


型号 Part No.	材质 Material	包装数量 Q'ty/reel
H250P-1601	PA66	1K



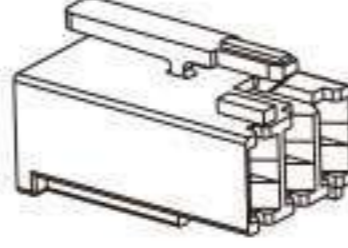
型号 Part No.	材质 Material	包装数量 Q'ty/reel
H250S-0601	PVC	2K
H250S-0701	PVC	2K
H250S-0801	PVC	2K

6.3 鸭嘴形端子 250 Standard timer contact

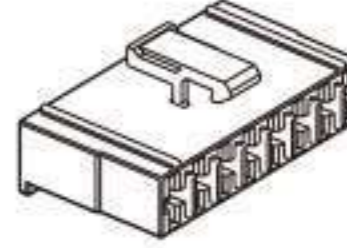
	型号 Part No.	材质 Material	料厚 Thickness	线规 Applicable wires		电线外径 Wire insulation O.D. mm	尺寸 Dimensions(mm)			镀层 Plating	适配插片 Mating Tab	包装数量 Q'ty/reel
				AWG#	线径 mm ²		W	L	E			
	C50003-01PT	Phosphor bronze	0.3	20-18	0.5-0.75	1.6-2.8	6.8	19.6	11.4	Tin Plated	0.8	1.5K
	C50003-03PT	Phosphor bronze	0.3	18-14	0.75-2.0	1.8-3.5	6.8	19.6	11.1	Tin Plated	0.8	1.5K
	C50003-13PT	Phosphor bronze	0.4	20-18	0.5-0.75	1.6-2.8	6.8	19.7	10.7	Tin Plated	0.8	1.5K
		SUS	0.25									
	C50003-14PT	Phosphor bronze	0.4	16-14	1.25-2.0	2.2-3.5	6.8	19.7	10.7	Tin Plated	0.8	1.5K
		SUS	0.25									


护套 Applicable sleeve

	型号 Part No.	材质 Material	包装数量 Q'ty/reel
	C50003-A02P	PA66	1K

	型号 Part No.	材质 Material	包装数量 Q'ty/reel
	C50003-A03P	PA66	1K

	型号 Part No.	材质 Material	包装数量 Q'ty/reel
	C50003-A04P	PA66	500

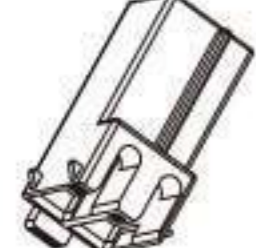
	型号 Part No.	材质 Material	包装数量 Q'ty/reel
	C50003-A08P	PA66	200

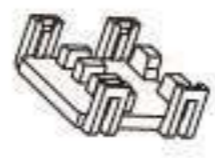
	型号 Part No.	材质 Material	包装数量 Q'ty/reel
	C50003-A10P	PA66	200

6.3 鸭嘴形端子 250 Standard timer contact

	型号 Part No.	材质 Material	料厚 Thickness	线规 Applicable wires		电线外径 Wire insulation O.D. mm	尺寸 Dimensions(mm)			镀层 Plating	适配插片 Mating Tab	包装数量 Q'ty/reel
				AWG#	线径 mm ²		W	L	E			
	C50003-31PT	Brass	0.35	24-20	0.22-0.5	1.3-2.6	6.8	17.1	10.9	Tin Plated	0.8	2K

护套 Applicable sleeve

	型号 Part No.	材质 Material	包装数量 Q'ty/reel
	C50003-A02P	PA66	1K

	型号 Part No.	材质 Material	包装数量 Q'ty/reel
	C50003-A03P	PA66	1K

6.3 双头插 250 Piggyback type

	型号 Part No.	材质 Material	料厚 Thickness	线规 Applicable wires		电线外径 Wire insulation O.D. mm	尺寸 Dimensions(mm)			镀层 Plating	适配插片 Mating Tab	包装数量 Q'ty/reel
				AWG#	线径 mm ²		W	L	E			
	TP2501-3028	Brass	0.4	18-16	0.75-1.25	1.8-3.1	7.6	19.2	7.8	Tin Plated	0.8	1K
	TP2501-3038	Brass	0.4	18-14	0.75-2.0	1.8-3.5	7.6	19.2	7.8	Tin Plated	0.8	1K
	TP2501-3048	Brass	0.4	14-12	2.0-3.5	1.8-3.5	7.6	19.2	7.8	Tin Plated	0.8	1K
	TP2501-3128	Brass	0.4	18-16	0.75-1.25	1.8-3.1	7.6	19.2	7.8	Tin Plated	0.8	1K
	TP2502-3138	Brass	0.4	18-14	0.75-2.0	1.8-3.5	7.5	19.3	7.7	Tin Plated	0.8	1.2K

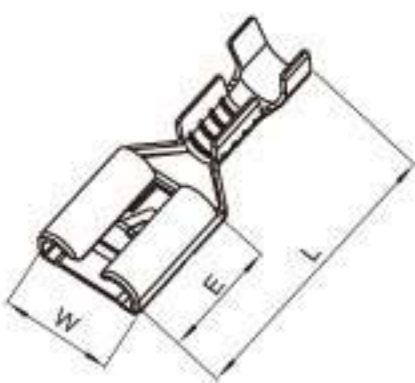
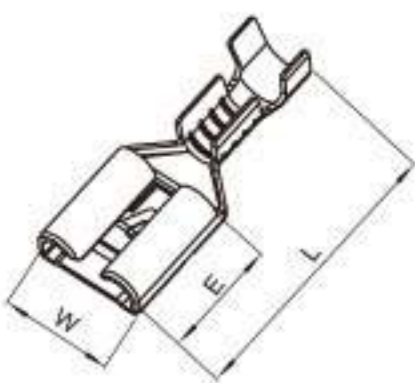
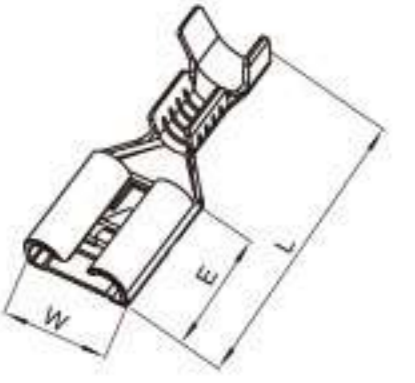
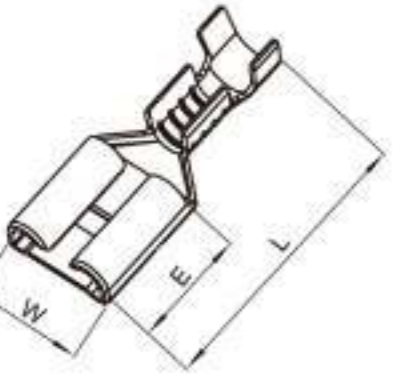
6.3 带锁双头插 250 Piggyback type with positive lock

	型号 Part No.	材质 Material	料厚 Thickness	线规 Applicable wires		电线外径 Wire insulation O.D. mm	尺寸 Dimensions(mm)			镀层 Plating	适配插片 Mating Tab	包装数量 Q'ty/reel
				AWG#	线径 mm ²		W	L	E			
	TP2502-3028	Brass	0.4	18-16	0.75-1.25	1.8-3.1	7.6	19.5	7.8	Tin Plated	0.8	1K
	TP2502-3128	Brass	0.4	18-16	0.75-1.25	1.8-3.1	7.6	19.5	7.8	Tin Plated	0.8	3K

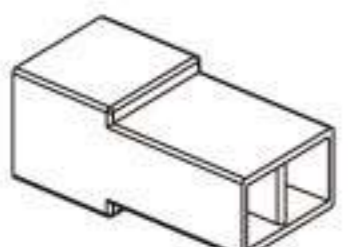
6.3 高脚带锁双头插 250 C-Crimp flag type with positive lock

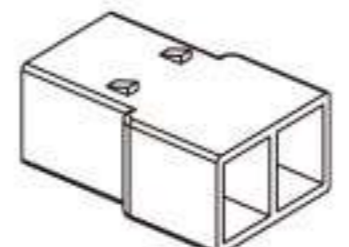
	型号 Part No.	材质 Material	料厚 Thickness	线规 Applicable wires		电线外径 Wire insulation O.D. mm	尺寸 Dimensions(mm)			镀层 Plating	适配插片 Mating Tab	包装数量 Q'ty/reel
				AWG#	线径 mm ²		W	L	E			
	TP2503-4048	Brass	0.4	18-14	0.75-2.0	1.8-3.5	7.7	16.6	7.9	Tin Plated	0.8	2.5K

6.3 带钩插簧 250 Premier type with locking

	型号 Part No.	材质 Material	料厚 Thickness	线规 Applicable wires		电线外径 Wire insulation O.D. mm	尺寸 Dimensions(mm)			镀层 Plating	适配插片 Mating Tab	包装数量 Q'ty/reel
				AWG#	线径 mm ²		W	L	E			
	TP2501-2228	Brass	0.4	20-16	0.5-1.25	2.8-3.5	7.5	19.5	7.6	Tin Plated	0.8	6K
	TP2501-2238	Brass	0.4	16-14	1.25-2.0	2.8-3.5	7.5	19.5	7.6	Tin Plated	0.8	6K
	TP2501-2258	Brass	0.4	14-10	2.0-5.2	3.2-5.1	7.5	19.2	7.9	Tin Plated	0.8	2K
	TP2501-2128	Brass	0.4	20-16	0.5-1.25	1.6-3.1	7.6	19.5	7.9	Tin Plated	0.8	6K
	TP2501-2138	Brass	0.4	18-16	0.75-1.25	1.8-3.1	7.6	19.5	7.9	Tin Plated	0.8	6K
	TP2501-5128	Brass	0.4	22-20	0.33-0.5	1.5-2.6	7.4	19.2	7.7	Tin Plated	0.8	6K
	TP2501-5138	Brass	0.4	18-16	0.75-1.25	1.8-3.1	7.4	19.2	7.7	Tin Plated	0.8	6K

● 护套 Applicable sleeve

		
型号 Part No.	材质 Material	包装数量 Q'ty/reel
H250P-1701	PA66	500

		
型号 Part No.	材质 Material	包装数量 Q'ty/reel
H250P-1801	PA66	1K

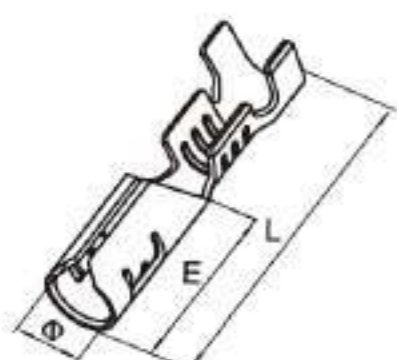
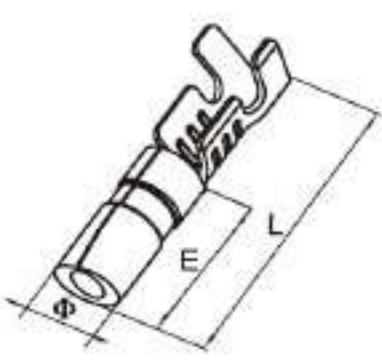
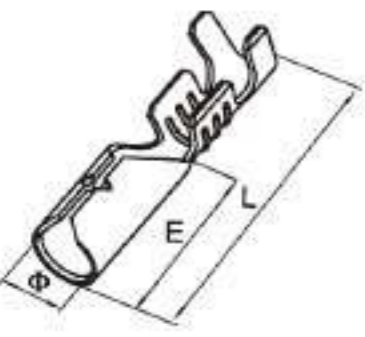
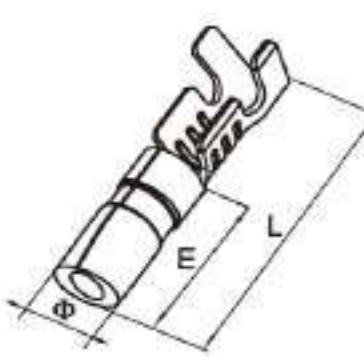
6.3 其它系列 250 Other type

	型号 Part No.	材质 Material	料厚 Thickness	线规 Applicable wires		电线外径 Wire insulation O.D. mm	尺寸 Dimensions(mm)			镀层 Plating	适配插片 Mating Tab	包装数量 Q'ty/reel
				AWG#	线径 mm ²		W	L	E			
	TP2501-7018	Brass	0.4	24-22	0.22-0.33	1.3-2.4	7.6	21.7	6.6	Tin Plated	0.8	2K
	TP2501-7038	Brass	0.4	16-14	1.25-2.0	2.2-3.5	7.6	21.7	6.6	Tin Plated	0.8	3K
	TP3751-0031	Phosphor bronze	0.4	18-16	0.75-1.25	1.8-3.1	13.3	26.8	13.5	Acid pickling	10X2.4	500/bag

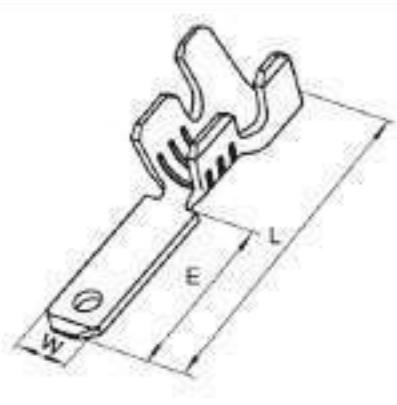
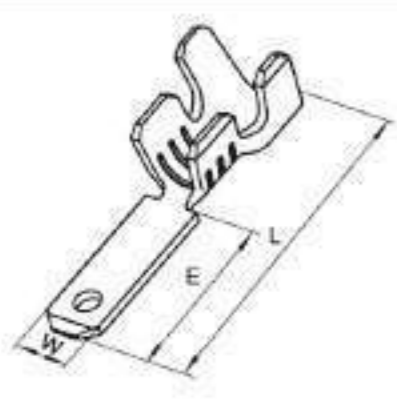
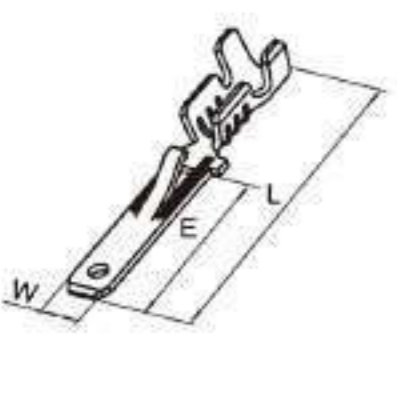
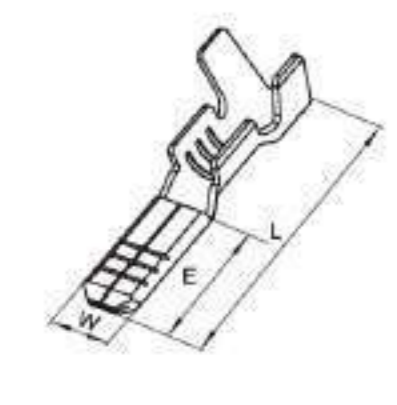
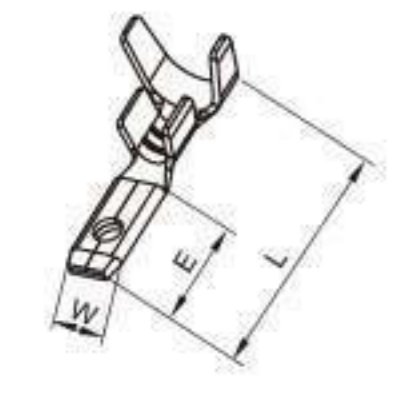
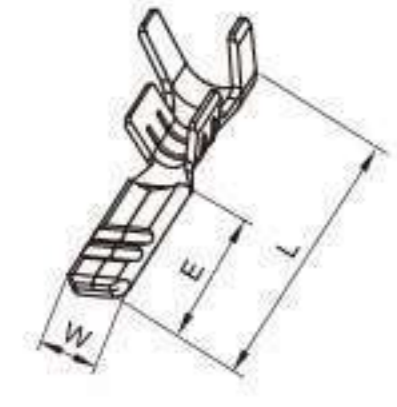
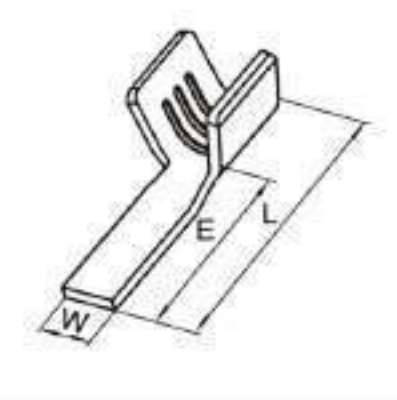
7.8 插簧 premier type

	型号 Part No.	材质 Material	料厚 Thickness	线规 Applicable wires		电线外径 Wire insulation O.D. mm	尺寸 Dimensions(mm)			镀层 Plating	适配插片 Mating Tab	包装数量 Q'ty/reel
				AWG#	线径 mm ²		W	L	E			
	TP3001-0058	Brass	0.4	14-12	2.0-3.5	3.2-4.0	9.0	24.0	11.5	Tin Plated	7.8x0.8	5K

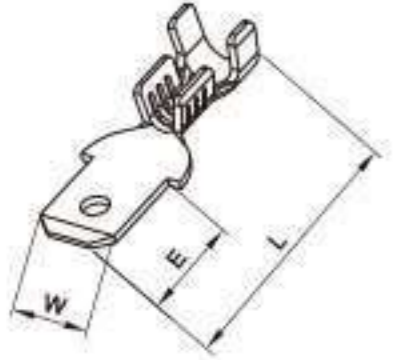
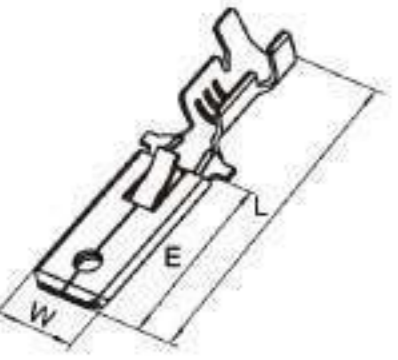
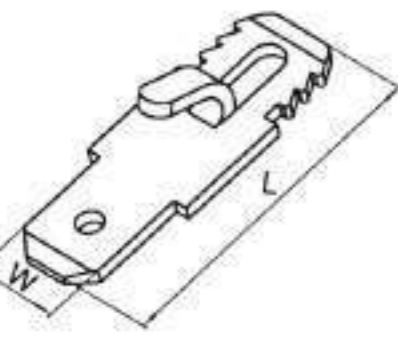
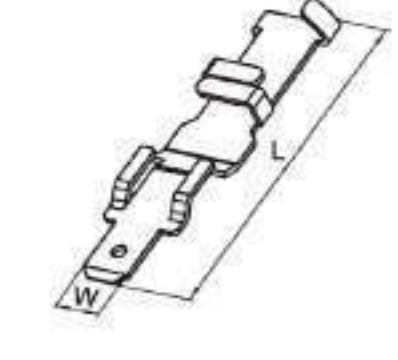
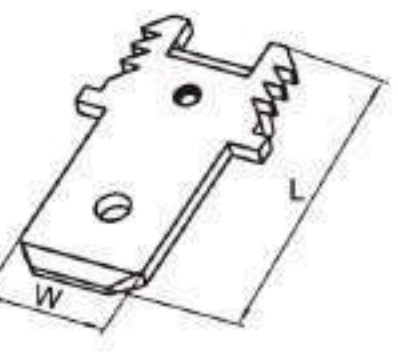
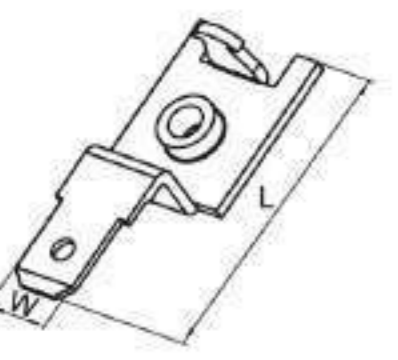
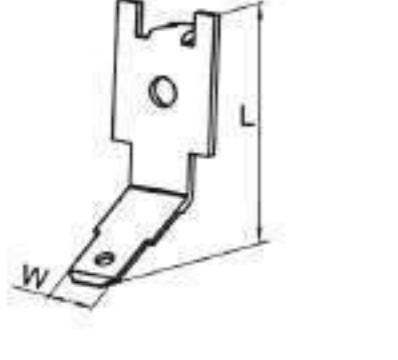
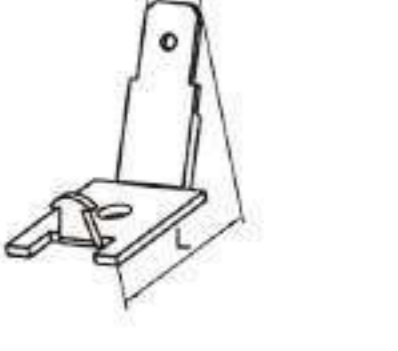
■ 尖插圆插系列 Bullet Terminal Series

	型号 Part No.	材质 Material	料厚 Thickness	线规 Applicable wires		电线外径 Wire insulation O.D. mm	尺寸 Dimensions(mm)			镀层 Plating	包装数量 Q'ty/reel
				AWG#	线径 mm ²		φ	L	E		
	TP350P-0102	Brass	0.35	18-16	0.75-1.25	1.8-3.1	3.4	17.6	8.3	Tin Plated	10K
	TP350R-0102	Brass	0.4	18-16	0.75-1.25	1.8-3.1	3.5	16.1	8.0	Tin Plated	10K
	TP400P-0102	Brass	0.4	18-16	0.75-1.25	1.8-3.1	4.0	17.6	8.3	Tin Plated	10K
	TP400R-0101	Brass	0.4	22-20	0.33-0.5	1.5-2.6	3.9	17.8	9.5	Tin Plated	10K
	TP400R-0102	Brass	0.4	18-16	0.75-1.25	1.8-3.1	3.9	17.8	9.5	Tin Plated	10K

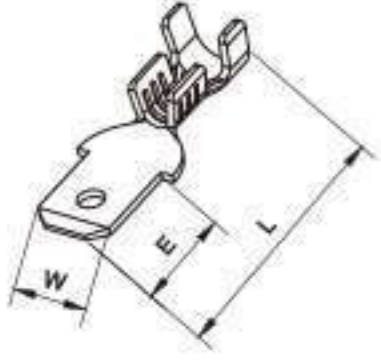
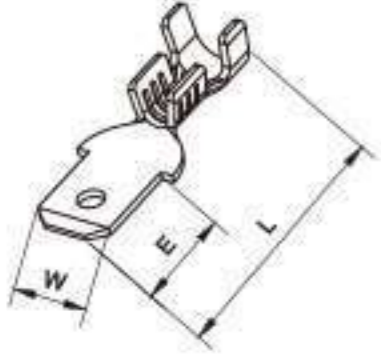
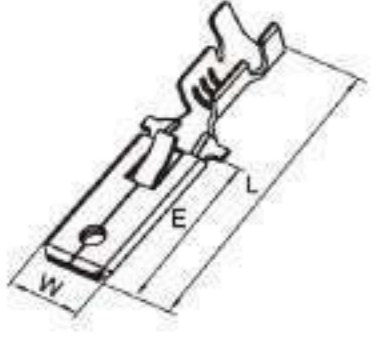
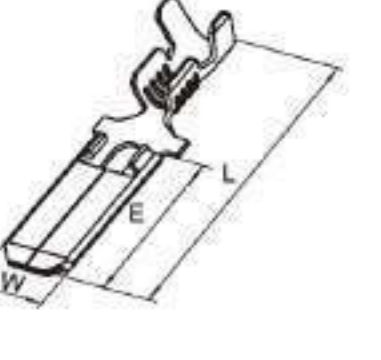
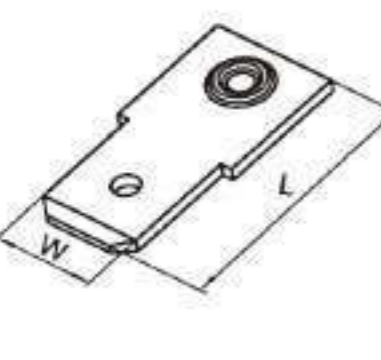
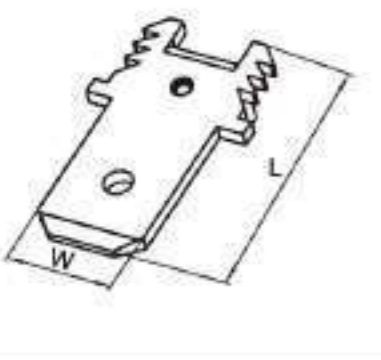
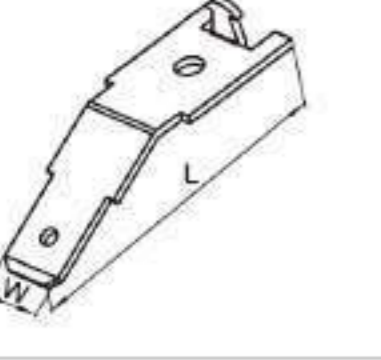
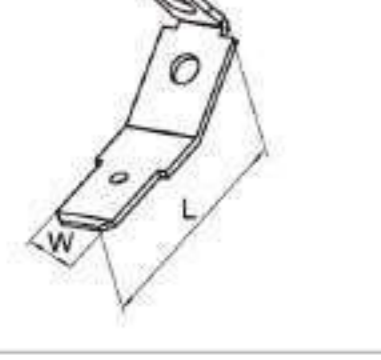
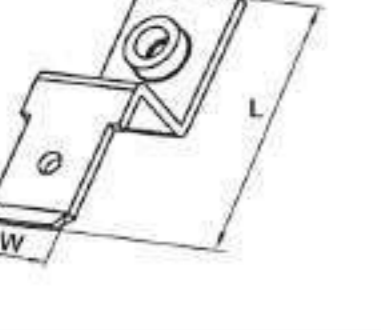
2.8 插片 110Faston tab

	型号 Part No.	材质 Material	料厚 Thickness	线规 Applicable wires		电线外径 Wire insulation O.D. mm	线规 Applicable wires			镀层 Plating	包装数量 Q'ty/reel
				AWG#	线径 mm ²		W	L	E		
	TR1101-0013	Brass	0.8	18-16	0.75-1.25	1.8-3.1	3.0	16.2	8.7	Tin Plated	3K
	TR1101-0112	Brass	0.5	20-16	0.5-1.25	1.6-3.1	2.8	21.2	12.3	Tin Plated	3K
	TR1101-0022	Brass	0.5	20-16	0.5-1.25	1.6-3.1	2.8	21.2	12.2	Tin Plated	3K
	TR1101-0093	Brass	0.5	18-16	0.75-1.25	1.8-3.1	2.8	21.1	12.2	Tin Plated	2.5K
	TR1101-0072	Brass	0.4	20-18	0.5-0.75	1.6-2.8	2.8	14.8	8.0	Tin Plated	8K
	TR1101-0032	Brass	0.4	20-16	0.33-0.5	1.5-2.6	2.8	13.0	5.8	Tin Plated	8K
	TR1101-0132	Brass	0.4	20-16	0.5-1.25	1.6-3.1	2.8	13.2	6.6	Tin Plated	8K
	TR1101-0043	Brass	0.8	18-16	0.75-1.25	1.8-3.1	2.8	14.0	9.5	Tin Plated	2.5K
	TR1101-0054	Brass	0.8	16-14	1.25-2.0	2.2-3.5	2.8	14.0	9.5	Tin Plated	2.5K

4.8 插片 187 Faston tab

	型号 Part No.	材质 Material	料厚 Thickness	线规 Applicable wires		电线外径 Wire insulation O.D. mm	尺寸 Dimensions(mm)			镀层 Plating	包装数量 Q'ty/reel
				AWG#	线径 mm ²		W	L	E		
	TR1871-0012	Brass	0.5	20-18	0.5-0.75	1.6-2.8	4.8	16.4	6.3	Tin Plated	10K
	TR1871-0023	Brass	0.8	22-18	0.33-0.75	1.5-2.8	4.8	16.7	6.4	Tin Plated	5K
	TR1871-0043	Brass	0.4	16-14	1.25-2.0	2.2-3.5	4.8	28.5	17.8	Tin Plated	5K
	TR1872-0005	Brass	0.8	-	-	-	4.8	18.0	-	Acid cleaning	2K/bag
	TR1872-0011	SUS	0.5	-	-	-	4.8	33.0	-	-	1K/bag
	TR1872-0019	Brass	0.8	-	-	-	4.8	15.2	-	Tin Plated	500
	TR1872-0025	Steel	0.8	-	-	-	4.8	26.5	-	Tin Plated	1K/bag
	TR1872-0030	Steel	0.8	-	-	-	4.8	27.2	-	Tin Plated	1K/bag
	TR1872-0034	Steel	0.8	-	-	-	4.8	26.0	-	Tin Plated	1K/bag

6.3 插片 250 Faston tab

	型号 Part No.	材质 Material	料厚 Thickness	线规 Applicable wires		电线外径 Wire insulation O.D. mm	尺寸 Dimensions(mm)			镀层 Plating	包装数量 Q'ty/reel
				AWG#	线径 mm ²		W	L	E		
	TR2501-0012	Brass	0.8	18-16	0.75-1.25	1.8-3.1	6.3	20.0	8.0	Tin Plated	5K
	TR2501-0024	Brass	0.8	16-14	1.25-2.0	2.2-3.5	6.3	22.2	8.0	Tin Plated	5K
	TR2501-0032	Brass	0.4	20-16	0.5-1.25	1.6-3.1	6.3	25.0	14.2	Tin Plated	3K
	TR2501-0043	Brass	0.4	18-16	0.75-1.25	1.8-3.1	6.3	25.0	14.2	Tin Plated	2.5K
	TR2501-0044	Brass	0.4	16-14	1.25-2.0	2.2-3.5	6.3	25.0	14.2	Tin Plated	2K
	TR2501-0052	Brass	0.4	18-16	0.75-1.25	1.8-3.1	6.3	28.0	15.2	Tin Plated	5K
	TR2501-0082	Brass	0.4	22-20	0.33-0.5	1.5-2.6	6.0	24.5	14.1	Tin Plated	6K
	TR2501-0083	Brass	0.4	18-16	0.75-1.25	1.8-3.1	6.0	24.5	14.1	Tin Plated	5K
	TR2502-0010	SUS	0.8	-	-	-	6.3	16.2	-	-	2K/bag
	TR2502-0011	Brass	0.8	-	-	-	6.3	15.3	-	Tin Plated	2K/bag
	TR2502-0012	Brass	0.8	-	-	-	6.3	30.0	-	Tin Plated	1K/bag
	TR2502-0024	Brass	0.8	-	-	-	6.3	24.6	-	Tin Plated	1K/bag
	TR2502-0025	Steel	0.8	-	-	-	6.3	22.3	-	Tin Plated	1K/bag

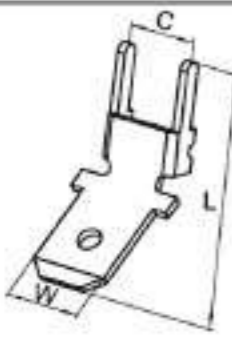
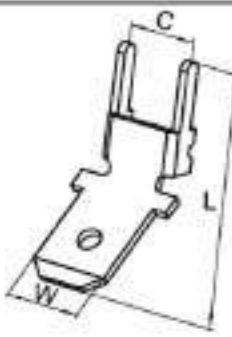
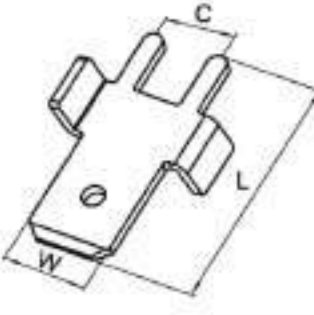
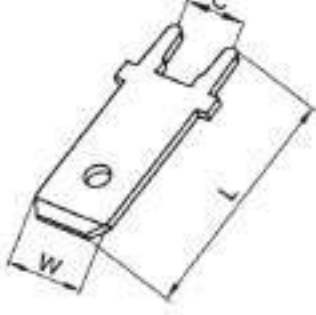
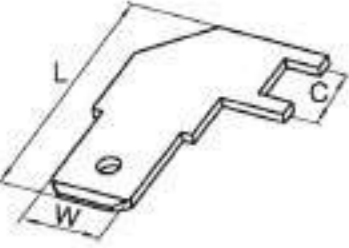
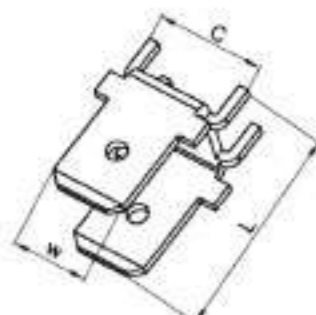
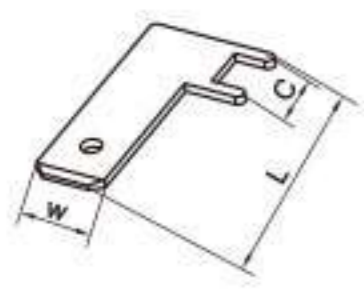
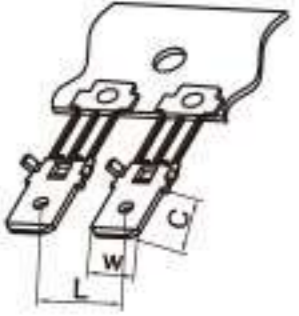
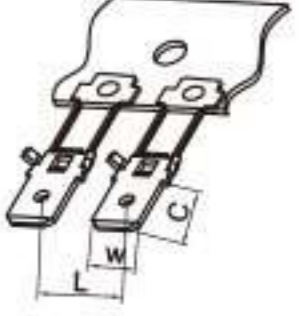
6.3 插片 250 Faston tab

	型号 Part No.	材质 Material	料厚 Thickness	线规 Applicable wires		电线外径 Wire insulation O.D. mm	尺寸 Dimensions(mm)			镀层 Plating	包装数量 Q'ty/reel
				AWG#	线径 mm ²		W	L	E		
	TR2502-0031	Steel	0.8	-	-	-	6.3	25.3	-	Tin Plated	1K/bag
	TR2502-0032	Steel	0.8	-	-	-	6.3	25.3	-	Tin Plated	1K/bag

PCB 板端插片 PCB tab

	型号 Part No.	材质 Material	料厚 Thickness	尺寸 Dimensions(mm)			镀层 Plating	包装数量 Q'ty/reel
				W	L	C		
	TR1872-0001	Brass	0.5	4.8	14.2	6.2	Tin Plated	5K/bag
	TR1872-0002	Brass	0.8	4.8	12.9	6.2	Tin Plated	5K/bag
	TR1872-0009	SUS	0.8	4.8	16.35	6.35	Tin Plated	1K/bag
	TR1872-0037	Brass	0.5	4.8	13.4	6.8	Tin Plated	5K/bag
	TR1872-0003	Brass	0.8	4.8	13.4	6.8	Tin Plated	5K/bag
	TR1872-0002	Brass	0.8	4.8	12.9	6.2	Tin Plated	5K/bag
	TR1872-0019	Brass	0.8	4.8	15.2	9.4	Tin Plated	5K/bag
	TR1872-0008	Brass	0.5	4.8	12.7	6.5	Tin Plated	5K/bag
	TR1872-0041	Brass	0.8	4.8	12.7	6.5	Tin Plated	5K/bag
	TR2502-0008	Brass	0.8	6.3	14.2	8.1	Tin Plated	5K/bag
	TR1872-0023	Steel	0.5	4.8	14.5	6.35	Tin Plated	5K/bag
		Brass						
	TR1872-0003	Brass	0.8	4.8	13.4	6.8	Tin Plated	5K/bag

■ PCB 板端插片 PCB tab

	型号 Part No.	材质 Material	料厚 Thickness	尺寸 Dimensions(mm)			镀层 Plating	包装数量 Q'ty/reel
				W	L	C		
	TR1872-0024	Brass	0.5	4.8	14.5	4.5	Tin Plated	1K
	TR2502-0017	Brass	0.8	6.3	18.0	4.8	Tin Plated	2K
	TR2502-0001	Brass	0.8	6.3	13.7	5.0	Tin Plated	5K
	TR2502-0015	Brass	0.8	6.3	17.2	5.0	Tin Plated	2K
	TR2502-0019	Brass	0.8	6.3	21.5	5.1	Tin Plated	2K
	TR2502-0004	Brass	0.8	6.3	18.5	18.5	Tin Plated	2K
	TR2502-0045	Brass	0.8	6.3	14.45	9.0	Tin Plated	2K
	TR2502-0066	Brass	0.8	6.3	20.6	5.0	Tin Plated	1K/bag
	TR2502-0061	Brass	0.8	6.3	12.7	8.0	Tin Plated	2.5K
	TR2502-0063	Brass	0.8	6.3	12.7	8.0	Tin Plated	2.5K

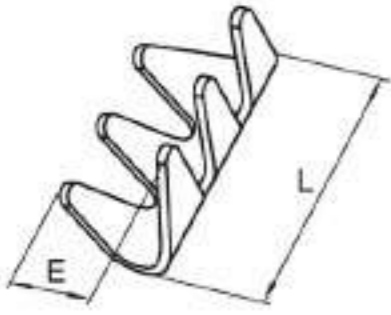
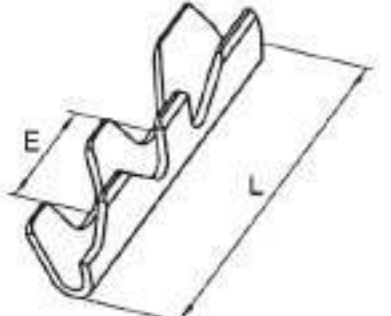
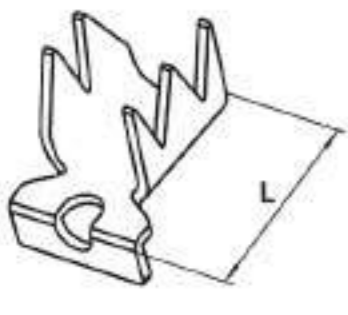
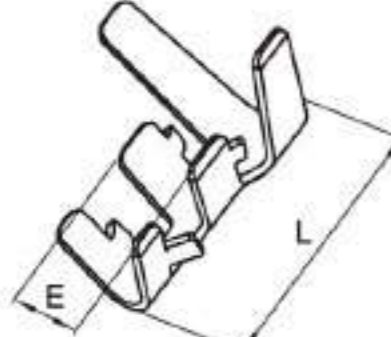
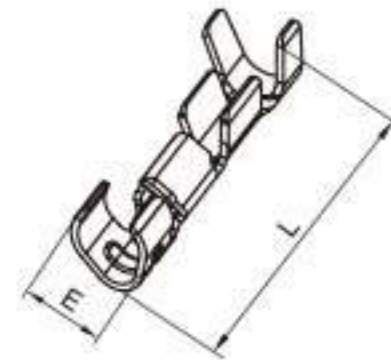
■ 测试插片 Testing tab

	型号 Part No.	材质 Material	料厚 Thickness	尺寸 Dimensions(mm)			包装数量 Q'ty/reel
				W	L	E	
	TR1872-0013	Brass	0.5	4.75	21.3	6.55	500
	TR1872-0014	Brass	0.8	4.75	23.0	6.5	2K
	TR1872-0005	Brass	0.8	6.35	26.2	8.1	2K

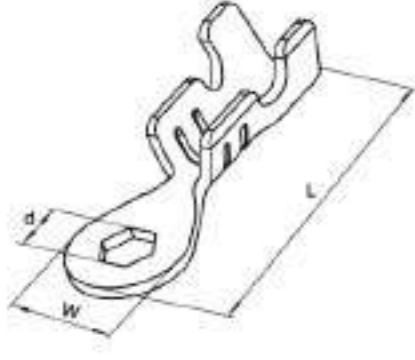
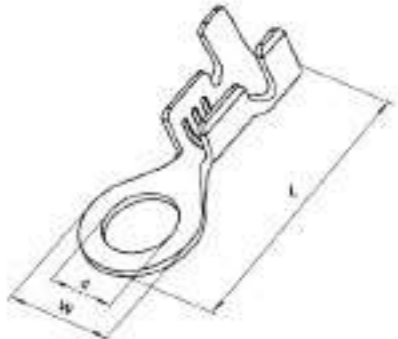
■ 压线扣系列 Splice Series

	型号 Part No.	材质 Material	料厚 Thickness	线规 Applicable wires		电线外径 Wire insulation O.D. mm	尺寸 Dimensions(mm)		镀层 Plating	包装数量 Q'ty/reel
				AWG#	线径 mm ²		L	E		
	TS1001-0102	Brass	0.5	20-16	0.5-1.5	-	6.0	3.3	Tin Plated	15K
	TS1001-0202	Brass	0.3	20-16	0.5-1.25		4.8	2.7	Tin Plated	20K
	TS1001-0302	Brass	0.3	20-16	0.5-1.25		9.0	2.6	Tin Plated	20K
	TS1001-0402	Brass	0.4	20-18	0.5-0.75		4.5	2.7	Tin Plated	20K
	TS1001-0503	Brass	0.4	20-16	0.5-1.25		5.5	3.9	Tin Plated	20K
	TS1001-0603	Brass	0.4	18-14	0.75-2.0		3.5	4.1	Tin Plated	15K
	TS1001-0703	Brass	0.4	16-14	1.25-2.0		5.2	4.15	Tin Plated	15K
	TS1001-0904	Brass	0.4	18-14	0.75-2.0		5.3	5.0	Tin Plated	10K
	TS1001-1005	Brass	0.4	16-10	1.25-5.26		9.0	5.0	Tin Plated	10K
	TS1001-1103	Brass	0.5	18-14	0.75-2.0		5.7	3.8	Tin Plated	20K
	TS1001-1603	Brass	0.3	18-16	0.75-1.25		5.5	3.4	Tin Plated	5K
	TS1001-1804	Brass	0.4	16-14	1.25-2.0		5.3	4.1	Tin Plated	10K
	TS1001-2003	Brass	0.3	20-16	0.5-1.25		6.0	3.2	Tin Plated	10K
	TS1001-2101	Brass	0.3	22-20	0.33-0.5		6.0	2.5	Tin Plated	20K
	TS1001-2203	Brass	0.4	18-14	0.75-2.0		5.7	4.2	-	15K
	TS1001-2306	Brass	0.5	14-10	2.0-5.26		7.3	6.8	-	5K
TS1001-2405	Brass	0.35	16-12	1.25-3.5	5.8	6.3	-	4K		
	TS1002-0102	Brass SUS	0.3 0.25	20-18	0.5-0.75	1.6-2.8	11.1	2.3	Tin Plated	4K 3K
	TS1002-0203	Brass	0.3	18-16	0.75-1.25	1.8-3.1	7.5	3.3	Tin Plated	4K
	TS1002-0304	Brass	0.3	14-12	2.0-3.5	3.2-4.0	11.4	3.6	Tin Plated	2.5K
	TS1002-0602	Steel	0.4	22-18	0.33-0.75	1.5-2.8	8.5	3.3	Ni Plated	7K
	TS1002-0603	Steel	0.4	16-14	1.25-2.0	2.2-3.5	8.5	3.6	Ni Plated	7K
	TS1002-0702	SUS	0.3	18-16	0.75-1.25	1.6-2.8	11.1	3.0	-	3K
	TS1002-0703	SUS	0.3	20-18	0.5-0.75	1.6-2.8	11.1	3.0	-	3K
	TS1003-0103	Brass	0.35	20-18	0.5-0.75	2.2-3.5	14.6	2.7	Tin Plated	10K
	TS1003-0302	Brass	0.3	18-16	0.75-1.25	1.8-3.1	12.0	3.0	Tin Plated	10K
	TS1003-0403	Brass	0.3	16-14	1.25-2.0	2.2-3.5	12.0	3.4	Tin Plated	10K

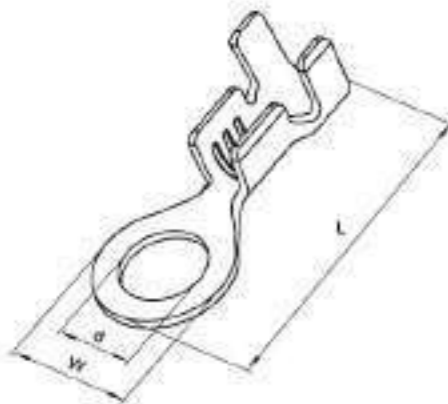
■ 压线扣系列 Splice Series

	型号 Part No.	材质 Material	料厚 Thickness	线规 Applicable wires		电线外径 Wire insulation O.D. mm	尺寸 Dimensions(mm)		镀层 Plating	包装数量 Q'ty/reel
				AWG#	线径 mm ²		L	E		
	TS1005-0102	Brass	0.25	20-16	0.5-1.25	1.6-3.1	6.0	2.4	Tin Plated	50K
	TS1005-0201	Brass	0.2	24-20	0.22-0.5	1.3-2.6	7.8	1.8	-	18K
	TS1005-0306	Brass	1.0	12-10	3.5-5.26	4.0-5.1	11.8	13.5	Tin Plated	500/bag
	TS6000-0102	Brass	0.4	24-22	0.22-0.33	1.3-2.4	18.8	4.6	Tin Plated	2.5K
	TS6000-0103	Brass	0.4	18-16	0.75-1.25	1.8-3.1	18.8	4.6	Tin Plated	2.5K
	TS6000-0303	Brass	0.4	22-18	0.3-0.75	2.0-3.0	19	4.4	Tin Plated	2.5K

■ 圆形接地端子 Tongue terminal

	型号 Part No.	材质 Material	料厚 Thickness	线规 Applicable wires		电线外径 Wire insulation O.D. mm	尺寸 Dimensions(mm)			镀层 Plating	包装数量 Q'ty/reel
				AWG#	线径 mm ²		D	W	L		
	TO2200-0102	Brass	0.5	22-18	0.33-0.75	1.5-2.8	2.1	4.75	13.6	Tin Plated	10K
	TO2500-0102	Brass	0.4	20-18	0.5-0.83	1.6-2.8	2.5	4.8	13.5	Tin Plated	10K
	TO2500-0201	Brass	0.4	26-22	0.13-0.33	1.2-2.4	2.5	4.8	11.7	Tin Plated	10K
	TO3200-0102	Brass	0.4	20-18	0.5-0.83	1.6-2.8	3.2	6.5	15.85	Tin Plated	10K
	TO3200-0103	Brass	0.4	18-16	0.75-1.25	1.8-3.1	3.2	6.5	16.35	Tin Plated	10K
	TO3200-0203	Brass	0.5	18-16	0.75-1.25	1.6-2.8	3.2	6.5	16.55	Tin Plated	10K
	TO3200-0302	Brass	0.4	20-18	0.5-0.75	1.6-2.8	3.3	6.0	12.0	Tin Plated	15K
	TO3200-0401	Brass	0.4	24-22	0.22-0.33	-	3.3	6.0	14.5	Tin Plated	5K
	TO3200-0502	Brass	0.5	22-20	0.33-0.5	1.5-2.6	3.2	6.0	13.9	Tin Plated	15K
	TO3200-0602	Brass	0.5	20-18	0.5-0.83	1.6-3.1	3.2	6.2	14.9	Tin Plated	10K
	TO3200-0702	Brass	0.5	20-18	0.5-0.75	1.6-2.8	3.2	6.5	16.55	Tin Plated	10K
	TO3200-0703	Brass	0.5	18-14	0.75-2.5	1.8-3.5	3.2	6.5	16.55	Tin Plated	10K
	TO3200-0802	Brass	0.5	20-16	0.5-1.25	1.6-3.1	3.2	7.2	16.6	Tin Plated	10K
	TO3200-0803	Brass	0.5	18-16	0.75-1.5	1.8-3.1	3.2	7.2	16.6	Tin Plated	8K
	TO3700-0102	Brass	0.5	20-16	0.5-1.25	1.6-3.1	3.7	7.2	16.6	Tin Plated	10K
	TO4200-0103	Brass	0.8	16-14	1.25-2.5	2.2-4.0	4.3	8.0	21.0	Tin Plated	5K
	TO4200-0202	Brass	0.5	18-16	0.75-1.25	1.8-3.1	4.2	7.5	17.8	Tin Plated	10K
	TO4200-0203	Brass	0.5	18-16	0.75-1.25	2.8-3.5	4.2	7.5	16.3	Tin Plated	8K
	TO4200-0303	Brass	0.5	18-16	0.75-1.25	1.8-3.4	4.2	7.6	18.0	Tin Plated	8K
	TO4200-0401	Brass	0.5	26-22	0.13-0.33	1.2-2.4	4.2	7.5	16.9	Tin Plated	10K
	TO4200-0402	Brass	0.5	20-16	0.5-1.25	1.6-2.8	4.2	7.5	16.9	Tin Plated	10K
	TO4200-0503	Brass	0.5	18-14	0.75-2.0	1.8-4.0	4.2	7.5	16.25	Tin Plated	8K
	TO4200-0504	Brass	0.5	14-12	2.0-3.5	3.2-4.0	4.2	7.5	16.25	Tin Plated	8K
	TO4200-0602	Brass	0.5	20-18	0.5-0.75	1.6-2.8	4.2	6.9	16.8	Tin Plated	10K
	TO4200-0702	Brass	0.8	20-16	0.5-1.25	1.6-3.1	4.3	7.6	19.8	Tin Plated	5K
	TO4200-0704	Brass	0.8	16-14	1.25-2.5	2.2-4.0	4.3	7.6	19.8	Tin Plated	5K
	TO4200-0802	Brass	0.6	18-16	0.75-1.25	1.8-3.1	4.2	6.9	16.8	Tin Plated	10K
	TO4200-0804	Brass	0.6	16-14	1.25-2.0	2.2-4.0	4.2	6.9	16.0	Tin Plated	8K
	TO4200-0903	Brass	0.6	18-14	0.75-2.0	1.8-4.0	4.2	7.5	17.0	Tin Plated	8K
	TO4200-1002	Brass	0.4	20-16	0.5-1.25	1.6-3.1	4.2	7.5	17.75	Tin Plated	10K
	TO4200-1104	Brass	0.6	18-14	0.75-2.0	1.8-3.8	4.2	6.5	16.9	Tin Plated	6K
TO4200-1204	Brass	0.5	16-14	1.25-2.0	2.2-3.5	4.2	8.5	19.0	Tin Plated	8K	
TO4200-1404	Brass	0.8	16-12	1.25-3.0	2.2-4.0	4.3	7.2	18.0	Tin Plated	5K	
TO4200-1503	Brass	0.6	20-16	0.5-1.25	1.6-3.1	4.2	7.5	17.85	Tin Plated	10K	
TO4200-1604	Brass	0.5	16-14	1.25-2.0	2.2-3.5	4.2	7.5	16.15	Tin Plated	8K	
TO4200-1702	Brass	0.4	20-16	0.5-1.25	1.6-3.1	4.2	7.5	17.75	Tin Plated	10K	
TO4200-2303	Brass	0.6	18-16	0.75-1.5	1.8-3.1	4.3	7.4	17.0	Tin Plated	10K	

■ 圆形接地端子 Tongue terminal



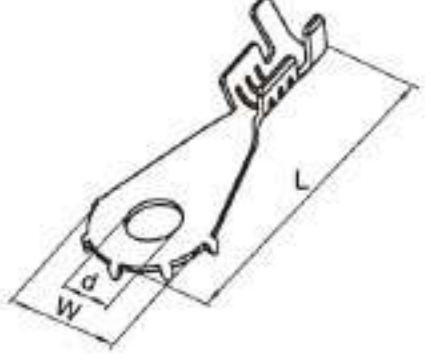
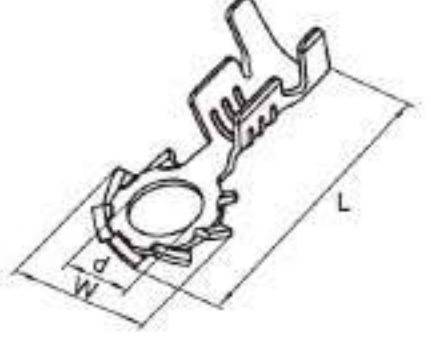
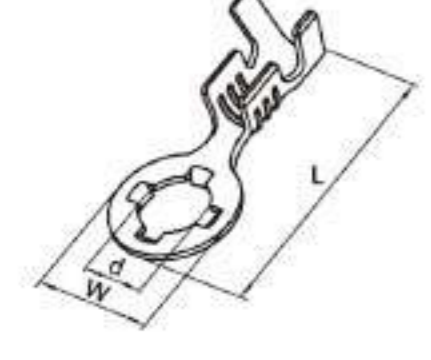
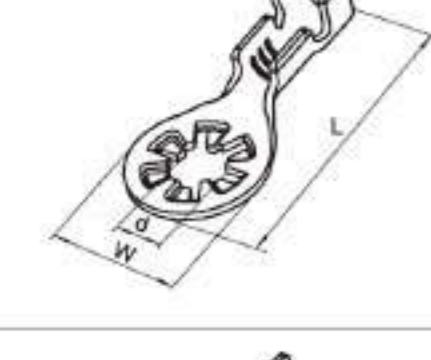
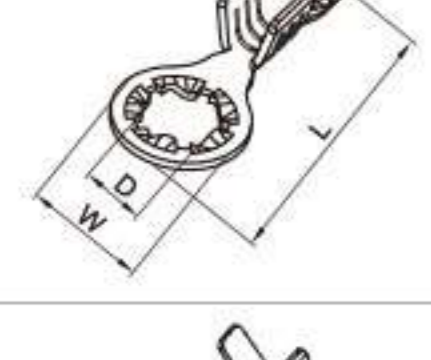

型号 Part No.	材质 Material	料厚 Thickness	线规 Applicable wires		电线外径 Wire insulation O.D. mm	尺寸 Dimensions(mm)			镀层 Plating	包装数量 Q'ty/reel
			AWG#	线径 mm ²		W	L	E		
TO5200-0104	Brass	1.0	14-12	2.0-3.5	3.2-4.0	5.3	8.1	17.85	Tin Plated	5K
TO5200-0203	Brass	0.5	18-16	0.75-1.25	1.8-3.4	5.3	8.4	19.15	Tin Plated	8K
TO5200-0204	Brass	0.5	16-14	1.25-2.0	2.2-4.0	5.2	8.5	19.25	Tin Plated	8K
TO5200-0303	Brass	0.5	18-16	0.75-1.25	1.8-3.5	5.1	7.5	16.75	Tin Plated	8K
TO5200-0401	Brass	0.5	24	0.22	1.3-2.4	5.2	8.0	17.0	Tin Plated	5K
TO5200-0603	Brass	0.5	18-16	0.75-2.5	1.8-3.1	5.3	8.1	19.0	Tin Plated	8K
TO5200-0604	Brass	0.5	16-14	1.25-2.0	2.2-4.0	5.3	8.5	19.0	Tin Plated	8K
TO5200-0803	Brass	0.5	18-16	0.75-1.25	1.8-3.1	5.3	8.5	19.25	Tin Plated	5K
TO5200-1004	Brass	0.6	14-12	2.0-3.5	3.2-5.0	5.4	9.5	20.7	Tin Plated	4K
TO5200-1102	Brass	0.5	18-16	0.75-1.25	1.8-3.1	5.3	8.5	19.25	Tin Plated	5K
TO5200-1204	Brass	0.5	16-14	1.25-2.0	2.2-3.5	5.4	8.4	19.05	Tin Plated	8K
TO5200-1303	Brass	0.8	18-16	0.75-1.25	1.8-3.1	5.2	8.5	19.15	Tin Plated	5K
TO5200-1503	Brass	0.5 0.6	18-16	0.75-1.25	1.8-3.1	5.2	10.0	21.9	Tin Plated	5K
TO5200-1603	Brass	0.6	18-14	0.75-2.0	1.8-3.5	5.2	10.0	20.6	Tin Plated	5K
TO5200-1705	Brass	0.8	12-10	3.5-5.26	4.0-5.1	5.4	10.0	24.2	Tin Plated	4K
TO6000-0102	Brass	0.4	20-16	0.5-1.25	1.6-3.1	6.2	10.0	19.8	Tin Plated	7K
TO6200-0101	Brass	0.4	24-20	0.22-0.5	1.3-2.4	6.2	10.0	19.8	Tin Plated	7K
TO6200-0203	Brass	0.6	18-16	0.75-1.25	1.8-3.1	6.4	12.1	23.0	Tin Plated	5K
TO6400-0103	Brass	0.5	18-14	0.75-2.0	1.8-3.5	6.4	9.5	19.85	Tin Plated	5K
TO6400-0203	Brass	0.5	18-16	0.75-1.25	1.8-3.1	6.4	12.1	23.0	Tin Plated	2K
TO8500-0103	Brass	1.0	18-16	0.75-1.25	1.8-3.1	8.5	17.6	32.45	Tin Plated	500/bag
TO8400-0104	Brass	0.6	18-14	0.75-2.0	1.8-3.5	8.4	14.5	24.3	Tin Plated	5K
TO8500-0102	Brass	0.4	22-18	0.33-0.75	1.5-2.4	10.3	14.0	23.0	Tin Plated	5K

■ 方形接地端子 Tongue terminal with square head

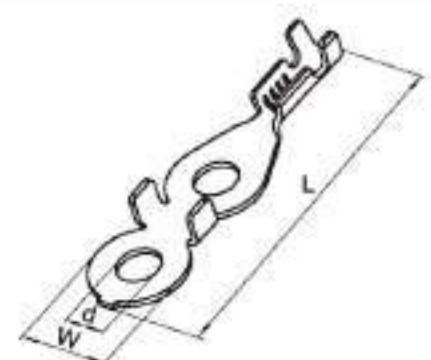
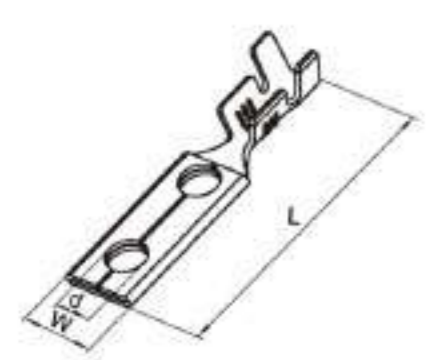


型号 Part No.	材质 Material	料厚 Thickness	线规 Applicable wires		电线外径 Wire insulation O.D. mm	尺寸 Dimensions(mm)			镀层 Plating	包装数量 Q'ty/reel
			AWG#	线径 mm ²		W	L	E		
TO420S-0102	Brass	0.6	20-16	0.5-1.25	-	4.2	9.8	17.8	Tin Plated	5K
TO420S-0203	Brass	0.7	20-18	0.5-0.75	1.6-2.8	4.2	7.5	18.2	Tin Plated	8K
TO420S-0204	Brass	0.7	16-14	1.25-2.0	2.2-3.5	4.2	7.5	18.2	Tin Plated	6K
TO420S-0302	Brass	0.6	20-18	0.5-0.75	-	4.2	8.0	14.4	Tin Plated	8K
TO500S-0105	Brass	0.8	14-10	2.0-5.26	3.2-5.1	5.0	9.0	20.0	Tin Plated	5K
TO850S-0102	Brass	0.6	20-18	0.5-0.75	1.6-2.8	8.5	17.6	32.4	Tin Plated	1K/bag

带刺接地端子 Toothed tongue terminal terminal

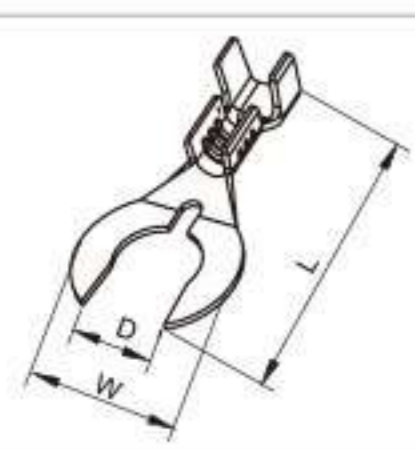
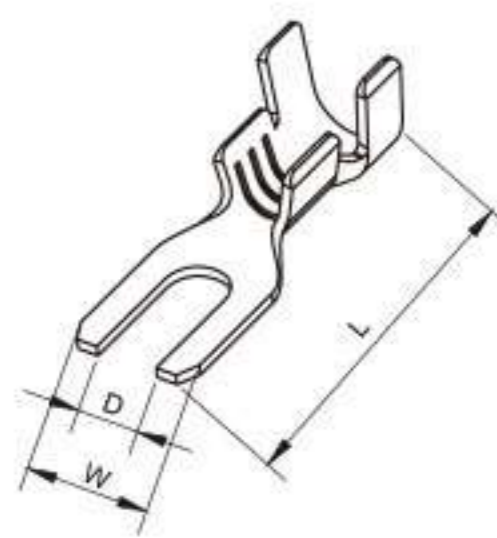
	型号 Part No.	材质 Material	料厚 Thickness	线规 Applicable wires		电线外径 Wire insulation O.D. mm	尺寸 Dimensions(mm)			镀层 Plating	包装数量 Q'ty/reel
				AWG#	线径 mm ²		D	W	L		
	TO420T-0103	Brass	0.5	18-16	0.75-1.25	1.8-3.4	4.2	9.8	24.8	Tin Plated	3K
	TO420T-0204	Brass	0.45	18-14	0.75-2.0	1.8-3.5	4.2	8.0	16.4	Tin Plated	8K
		SUS								-	
	TO520T-0103	SUS	0.45	18-14	0.75-2.0	1.8-3.5	5.2	9.0	17.0	-	3K
	TO420T-0302	Brass	0.5	20-18	0.5-0.75	1.6-2.8	4.3	7.5	16.75	Tin Plated	8K
	TO420T-0303	Brass	0.5	18-16	0.75-1.25	1.8-3.1	4.3	7.5	16.75	Tin Plated	8K
	TO420T-0304	Brass	0.5	16-12	1.25-3.5	2.8-5.0	4.3	7.5	16.75	Tin Plated	5K
	TO420T-0503	Brass	0.8	20-16	0.5-1.25	1.6-3.1	4.3	7.5	16.75	Tin Plated	8K
	TO420T-0403	Brass	0.6	18-16	0.75-1.25	1.8-3.4	4.2	10.1	21.2	Tin Plated	5K
	TO420T-0604	Brass	0.5	16-14	1.25-2.0	2.0-3.5	4.3	7.5	16.75	Tin Plated	8K
	TO650T-0103	Brass	0.65	18-16	0.75-1.25	1.8-3.4	6.6	11.5	20.5	Tin Plated	6K

双孔接地端子 Toothed tongue terminal terminal

	型号 Part No.	材质 Material	料厚 Thickness	线规 Applicable wires		电线外径 Wire insulation O.D. mm	尺寸 Dimensions(mm)			镀层 Plating	包装数量 Q'ty/reel
				AWG#	线径 mm ²		D	W	L		
	TO4200-0102	Brass	0.6	20-18	0.5-0.75	1.6-2.8	4.3	9.5	34.2	Tin Plated	4K
	TO3700-0103	Brass	0.5	18-16	0.75-1.25	1.8-3.4	3.7	6.9	28.0	Tin Plated	2K

叉形接地端子 Fork tongue terminal

型号 Part No.	材质 Material	料厚 Thickness	线规 Applicable wires		电线外径 Wire insulation O.D. mm	尺寸 Dimensions(mm)			镀层 Plating	包装数量 Q'ty/reel
			AWG#	线径 mm ²		D	W	L		
TU3200-0102	Brass	0.4	20-18	0.5-0.75	1.8-2.8	3.2	6.5	14.7	Tin Plated	5K/bag
TU3200-0202	Brass	0.5	20-18	0.5-0.75	1.6-2.8	3.2	6.5	14.7	Tin Plated	5K/bag
TU3200-0303	Brass	0.5	18-14	0.75-2.0	1.8-3.4	3.0	6.0	16.8	Tin Plated	10K
TU3200-0403	Brass	0.5	18-16	0.75-1.25	1.8-3.1	3.2	7.0	16.1	Tin Plated	8K
TU3200-0503	Brass	0.4	18-16	0.75-1.25	1.8-3.1	3.3	6.1	16.8	Tin Plated	15K
TU3200-0702	Brass	0.5	20-18	0.5-0.75	1.6-2.8	3.5	6.8	14.1	Tin Plated	8K
TU4200-0104	Brass	0.5	16-14	1.25-2.0	2.2-3.5	4.2	7.5	17.0	Tin Plated	8K
TU4200-0203	Brass	0.5	22-18	0.33-0.75	1.5-2.8	4.2	7.2	17.0	Tin Plated	8K
TU4200-0303	Brass	0.5	20-16	0.5-1.25	1.6-3.1	4.2	7.5	17.0	Tin Plated	8K
TU4200-0403	Brass	0.4	20-18	0.5-0.75	1.6-3.1	4.2	7.5	17.2	Tin Plated	5K/bag
TU4200-0504	Brass	0.6	16-14	1.25-2.0	2.2-3.5	4.2	6.8	18.0	Tin Plated	6K
TU4200-0604	Brass	0.6	16-14	1.25-2.0	2.2-3.5	4.2	7.5	16.6	Tin Plated	7K
TU4200-0803	Brass	0.8	18-16	0.75-1.25	1.8-3.5	4.2	7.5	17.5	Tin Plated	5K
TU4200-0904	Brass	0.8	16-14	1.25-2.0	2.2-3.5	4.4	7.4	17.0	Tin Plated	7K
TU4200-1004	Brass	0.6	18-14	0.75-2.0	1.8-3.5	4.4	7.4	17.0	Tin Plated	7K
TU4200-1103	Brass	0.8	18-14	0.75-2.0	1.8-3.5	4.2	7.6	19.0	Tin Plated	5K
TU4200-1204	Brass	0.8	16-14	1.25-2.0	2.2-3.5	4.2	7.5	17.0	Tin Plated	5K
TU4200-1205	Brass	0.8	12-10	3.5-5.26	4.0-5.1	4.2	7.5	17.0	Tin Plated	5K
TU4200-1303	Brass	0.5	18-16	0.75-1.25	1.8-3.5	4.4	7.3	17.2	Tin Plated	5K
TU4200-1503	Brass	0.8	18-14	0.75-2.0	1.8-3.5	4.2	8.0	16.1	Tin Plated	7K
TU4200-1504	Brass	0.8	14-12	2.0-3.0	3.2-5.0	4.2	11.0	17.4	Tin Plated	7K
TU4200-1604	Brass	0.8	16-14	1.25-2.0	2.2-3.5	4.2	7.6	18.9	Tin Plated	5K
TU5200-0103	Brass	0.5	18-16	0.75-1.25	1.8-4.0	5.2	8.3	17.0	Tin Plated	7K
TU5200-0104	Brass	0.5	16-14	1.25-2.5	2.2-4.0	5.2	8.2	17.0	Tin Plated	7K
TU5200-0204	Brass	0.6	16-14	1.25-2.5	2.2-4.0	5.2	8.2	17.0	Tin Plated	7K
TU6300-0103	Brass	0.5	18-16	0.75-1.25	1.8-3.5	6.4	11.8	22.0	Tin Plated	5K





HCB[®]

乐清昌德成电子有限公司

YUEQING CHANGDECHENG ELECTRONICS CO.,LTD

地址：浙江省乐清市乐清湾港区乐商创业园创新路 4 号

Add: No.4, innovation Road, Leshang Pioneer Park, Yueqing

Bay Harbor District, Yueqing City, Zhejiang Province, China

电话(Tel): (0086)0577-6235 1197

传真(Fax): (0086)0577-6236 3197

网址(Web): www.hcb.com.cn

国内销售(Chinese Mainland Marketing): sd2@hcb.com.cn

国外销售(International Marketing): sd@hcb.com.cn